



US00D785125S

(12) **United States Design Patent** (10) **Patent No.:** **US D785,125 S**
Aigner (45) **Date of Patent:** **** *Apr. 25, 2017**

(54) **QUICK-REMOVE CLIP FOR FASTENING AN AMMUNITION MAGAZINE TO BELT AND CLOTHING**

(71) Applicant: **Robert Aigner**, Gumpoldskirchen (AT)

(72) Inventor: **Robert Aigner**, Gumpoldskirchen (AT)

(*) Notice: This patent is subject to a terminal disclaimer.

(**) Term: **14 Years**

(21) Appl. No.: **29/485,524**

(22) Filed: **Mar. 19, 2014**

(51) **LOC (10) Cl.** **22-01**

(52) **U.S. Cl.**
USPC **D22/108**

(58) **Field of Classification Search**
USPC D22/108; 224/183, 185, 196, 245, 666, 224/672; 42/51, 71.01, 75.01, 75.02, 90, 42/94; 362/110; 89/40.06, 37.04, 33.04, 89/191.01
CPC F41A 9/61; F41A 9/62; F41A 9/63; F41A 9/64; F41A 9/65; F41A 9/68; F41A 9/69; F41A 9/73; F41A 9/74; F41A 9/75; F41A 9/79; F41A 9/86
See application file for complete search history.

(56) **References Cited**

U.S. PATENT DOCUMENTS

1,756,677	A *	4/1930	Cook	224/245
2,698,765	A *	1/1955	Eagle	294/87.1
4,115,943	A *	9/1978	Musgrave	42/90
4,484,404	A *	11/1984	Johnson	42/90

2006/0242877	A1 *	11/2006	Clifton et al.	42/49.01
2008/0023509	A1 *	1/2008	Lowe	224/240
2011/0107645	A1 *	5/2011	Faifer	42/90
2011/0132780	A1 *	6/2011	Marconi	206/3
2012/0311911	A1 *	12/2012	Nelson	42/90
2014/0262892	A1 *	9/2014	Orozco et al.	206/424
2015/0090750	A1 *	4/2015	Coleman	224/222

* cited by examiner

Primary Examiner — Michael A Pratt

(74) *Attorney, Agent, or Firm* — Andrew S. Langsam; Pryor Cashman LLP

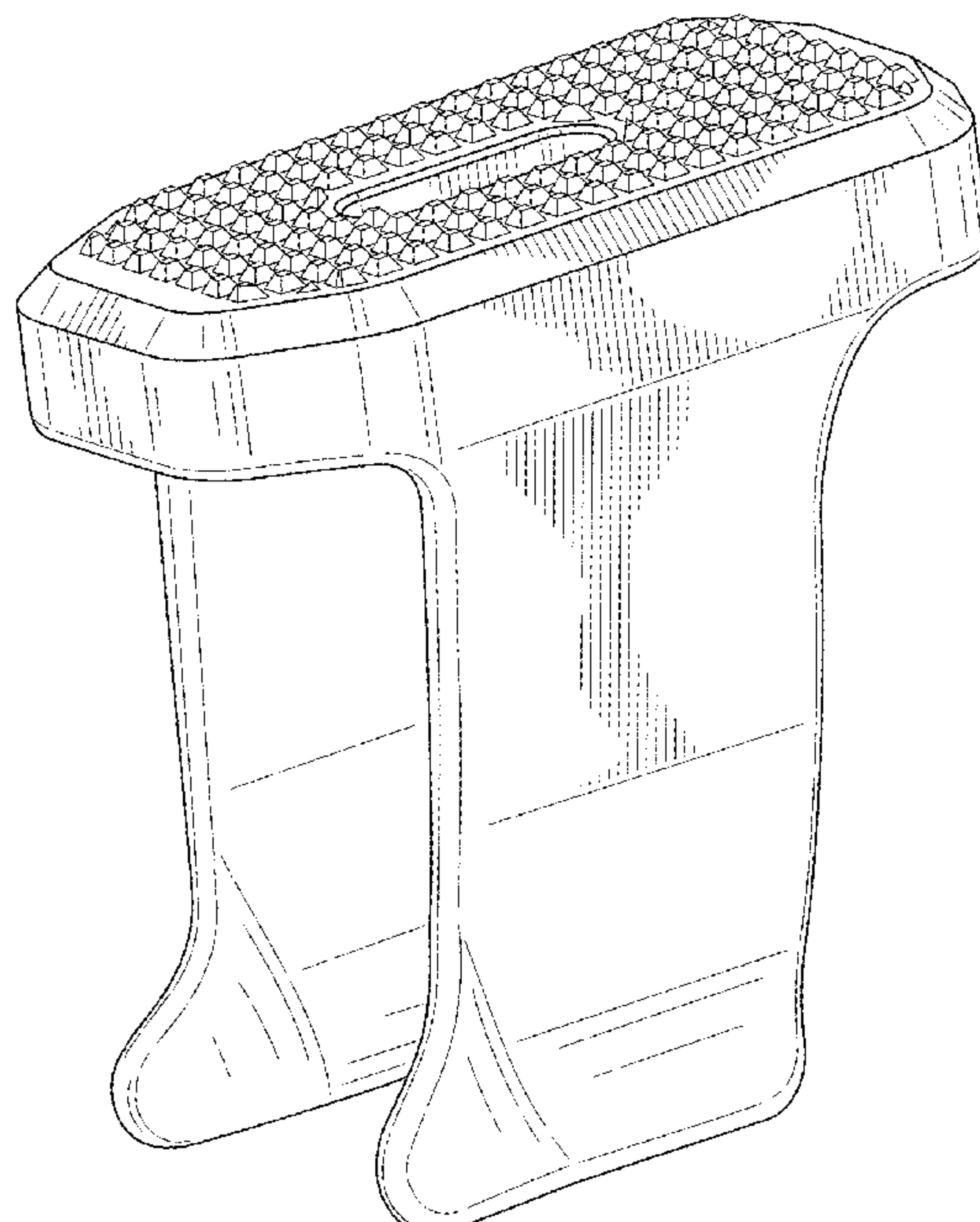
(57) **CLAIM**

I claim the ornamental design for a quick-remove clip for fastening an ammunition magazine to belt and clothing, as shown and described.

DESCRIPTION

FIG. 1 is a right front perspective view of a quick-remove clip for fastening an ammunition magazine to belt and clothing, showing my new design;
FIG. 2 is a front elevational view thereof;
FIG. 3 is a rear elevational view of the quick-remove clip for fastening an ammunition magazine to belt and clothing, showing that view of the claimed invention;
FIG. 4 is left side elevational view of my invention shown in FIG. 1;
FIG. 5 is a right side elevational view of my invention shown in FIG. 1;
FIG. 6 is a top plan view of my invention shown in FIG. 1; and,
FIG. 7 is a bottom view of my invention shown in FIG. 1.

1 Claim, 7 Drawing Sheets



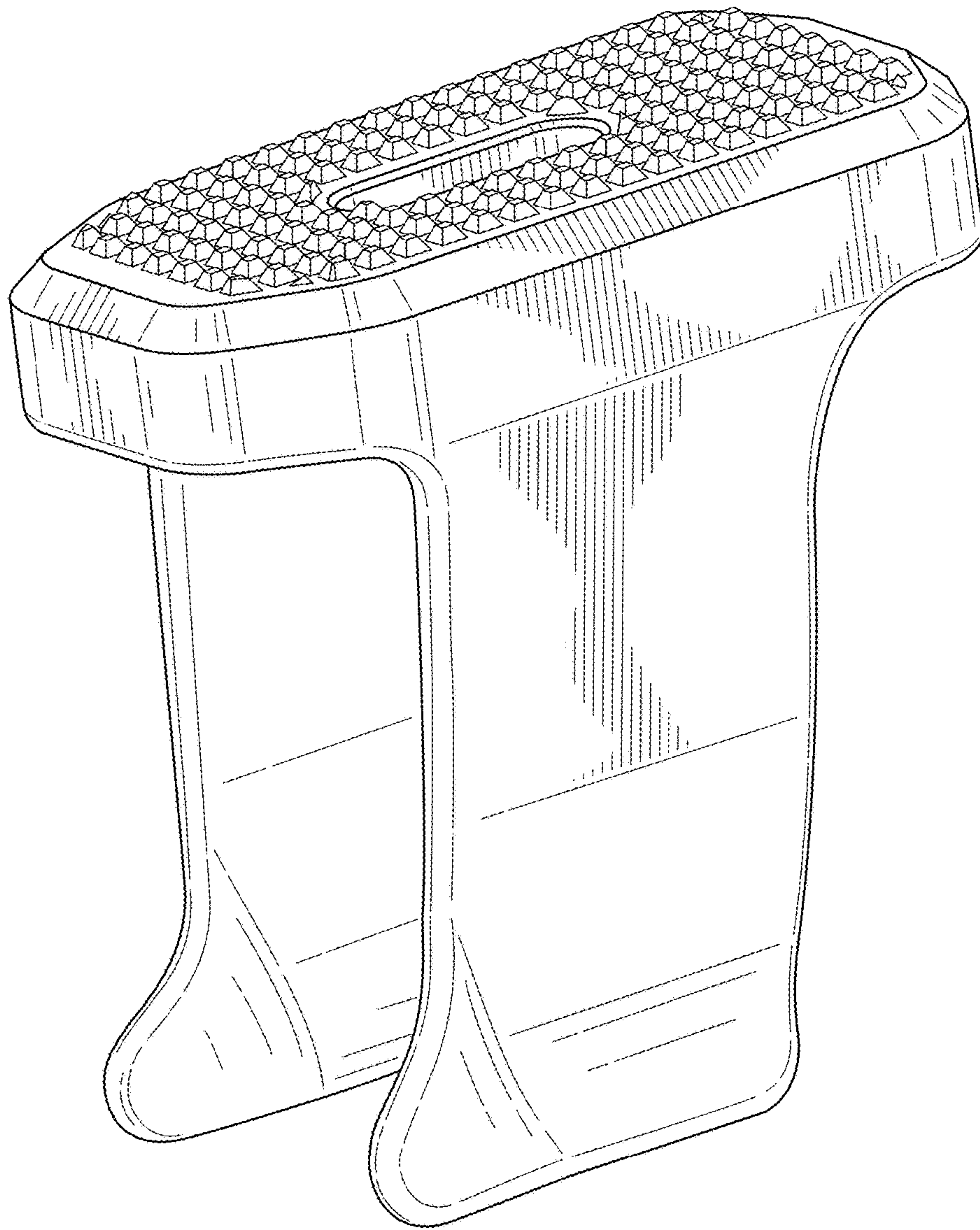


FIG. 1

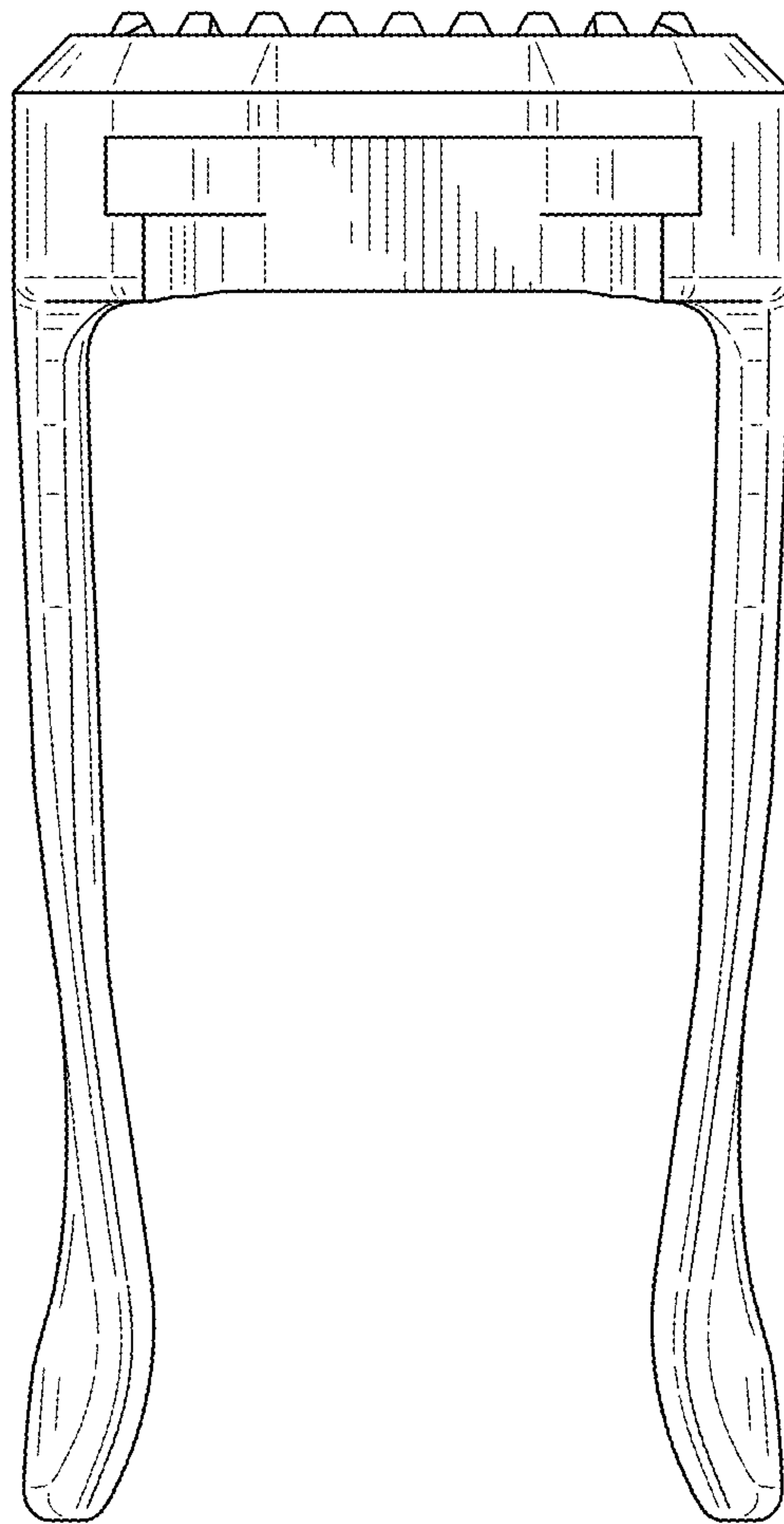


FIG. 2

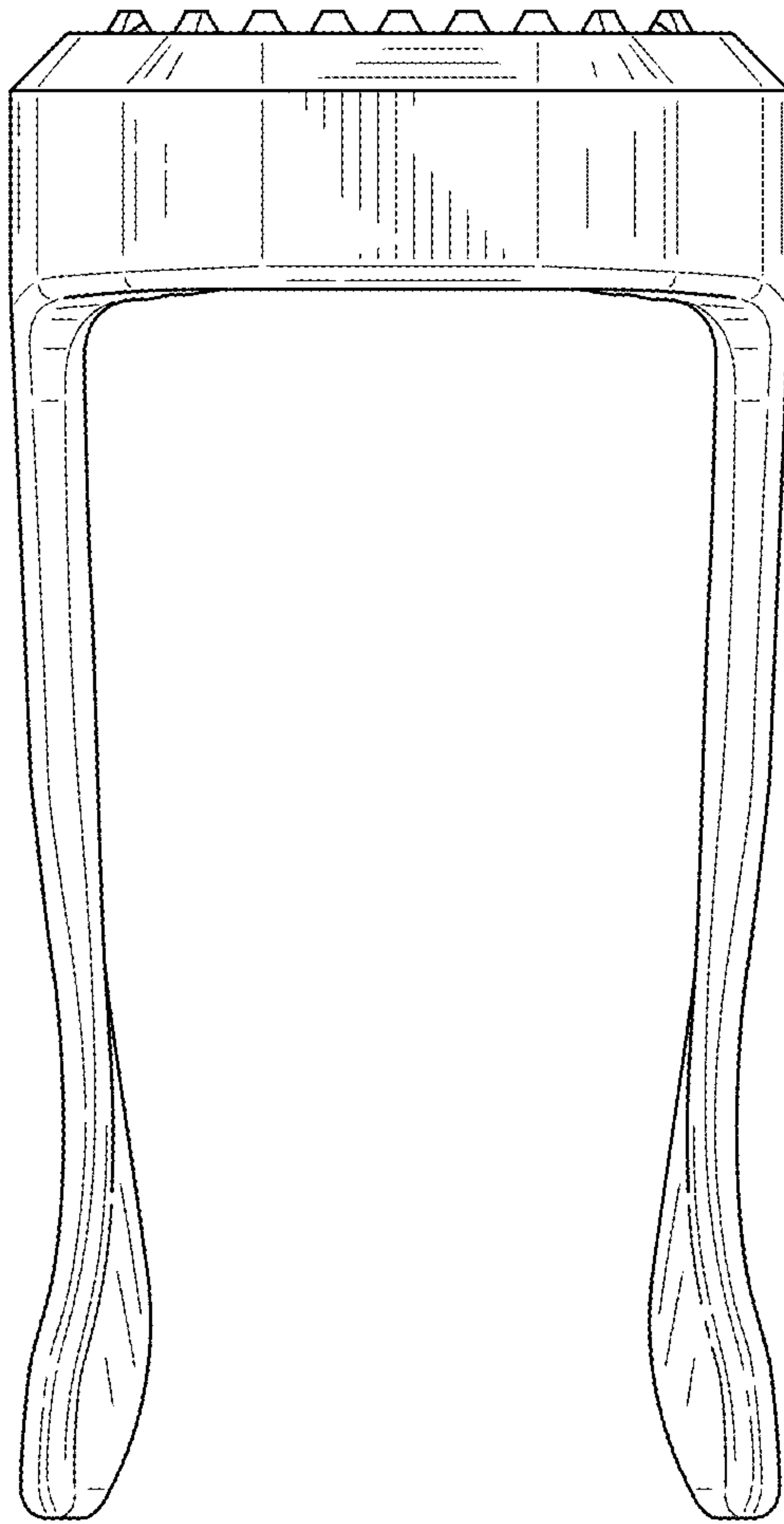


FIG. 3

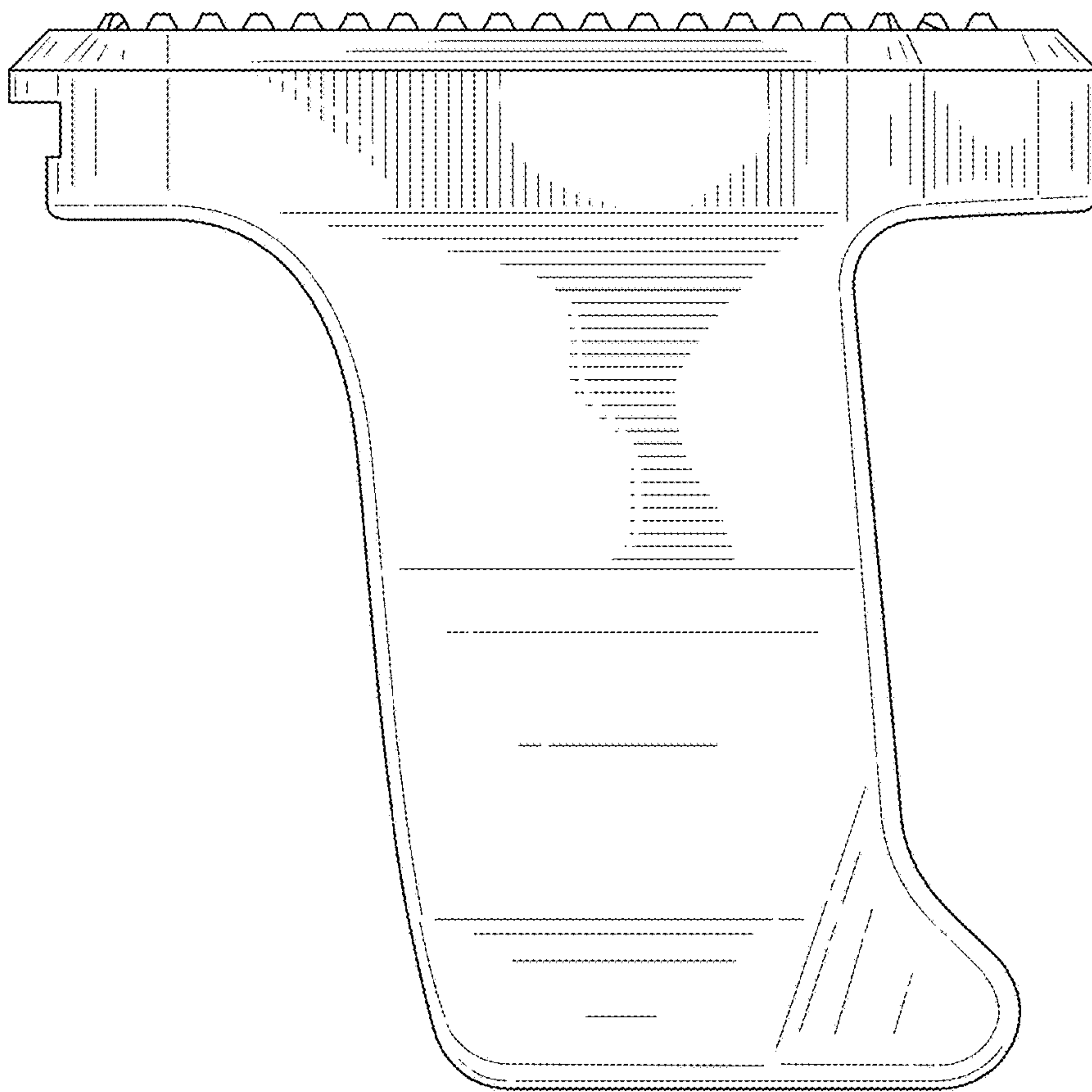


FIG. 4

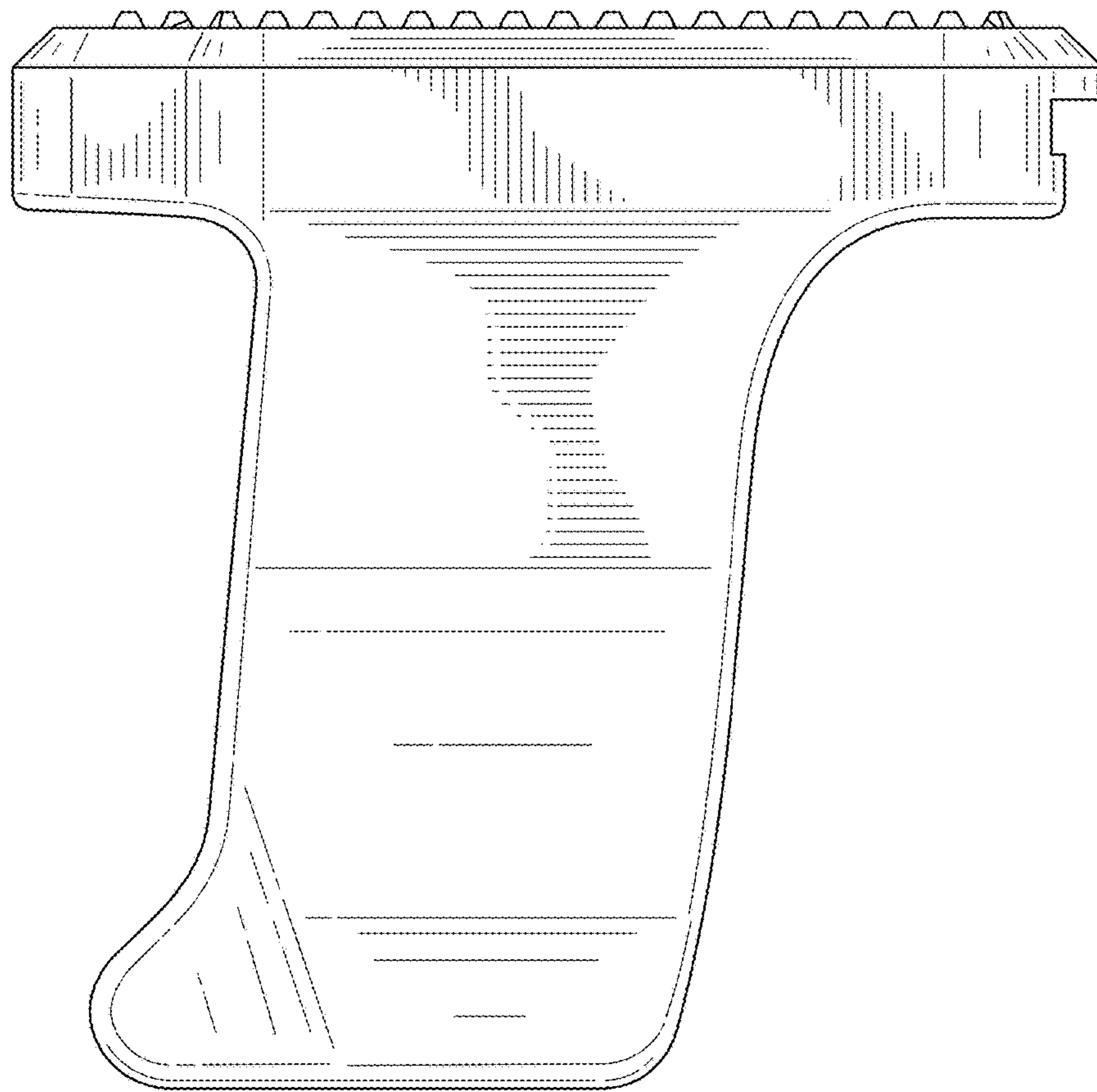


FIG. 5

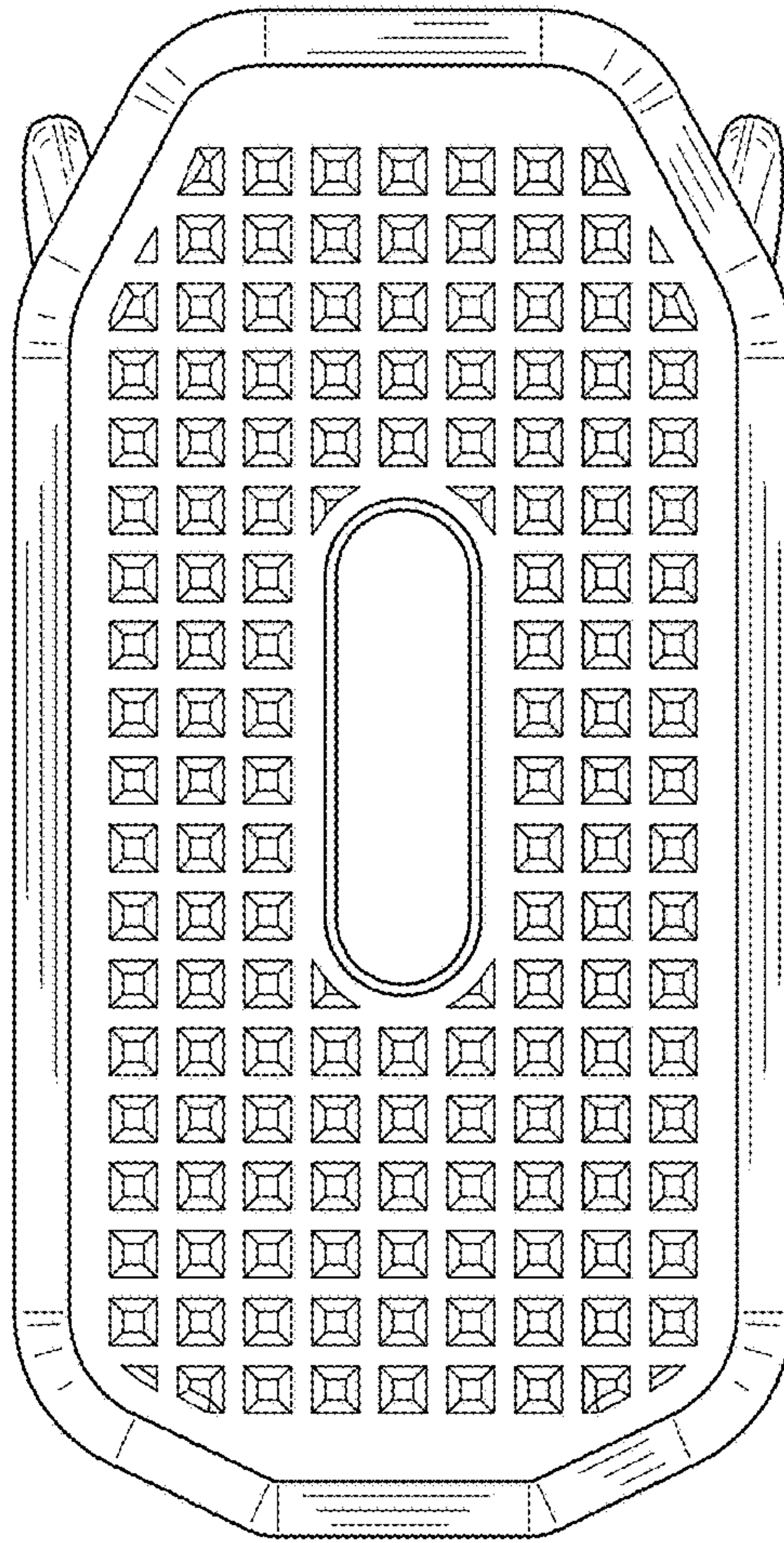


FIG. 6

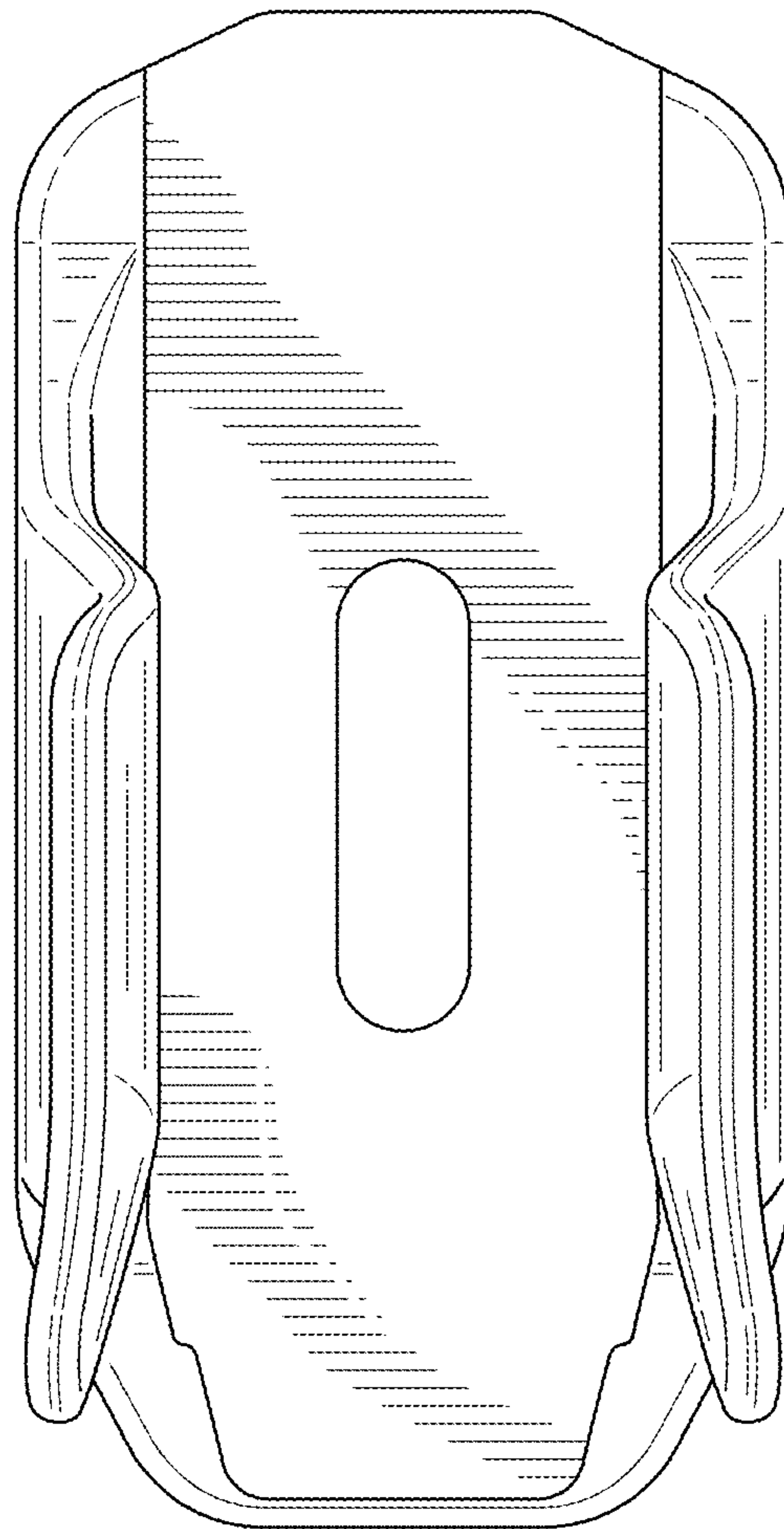


FIG. 7