



US00D785124S

(12) **United States Design Patent**
Dahl, II

(10) **Patent No.:** **US D785,124 S**

(45) **Date of Patent:** **** Apr. 25, 2017**

(54) **HYBRID CABLE GUARD SLIDE FOR COMPOUND ARCHERY BOWS**

(71) Applicant: **William C. Dahl, II**, Half Moon Bay, CA (US)

(72) Inventor: **William C. Dahl, II**, Half Moon Bay, CA (US)

(**) Term: **15 Years**

(21) Appl. No.: **29/550,353**

(22) Filed: **Jan. 2, 2016**

(51) **LOC (10) Cl.** **22-01**

(52) **U.S. Cl.**
USPC **D22/107**

(58) **Field of Classification Search**
USPC D22/107; 124/25.6, 86, 88, 90
CPC F41B 5/10
See application file for complete search history.

(56) **References Cited**

U.S. PATENT DOCUMENTS

4,903,678 A * 2/1990 Walker F41B 5/10
124/25.6
5,553,600 A * 9/1996 Miller F41B 5/10
124/25.6

OTHER PUBLICATIONS

Lancaster Archery Supply, X-Brand Archery X-Slide Delrin Hybrid Cable Slide, Publication Date Unknown, [site visited Jan. 4, 2017], Available on the Internet URL:<<http://www.lancasterarchery.com/x-brand-archery-x-slide-delrin-hybrid-cable-slide.html>>.*
X-Slide, Home page, Publication Date Unknown, [site visited Jan. 4, 2017], Available on the Internet URL:<<http://xslide.net/index.php>>.*

* cited by examiner

Primary Examiner — Susan Bennett Hattan
Assistant Examiner — S. Bryan Reinholdt, Jr.
(74) *Attorney, Agent, or Firm* — David E. Newhouse, Esq.

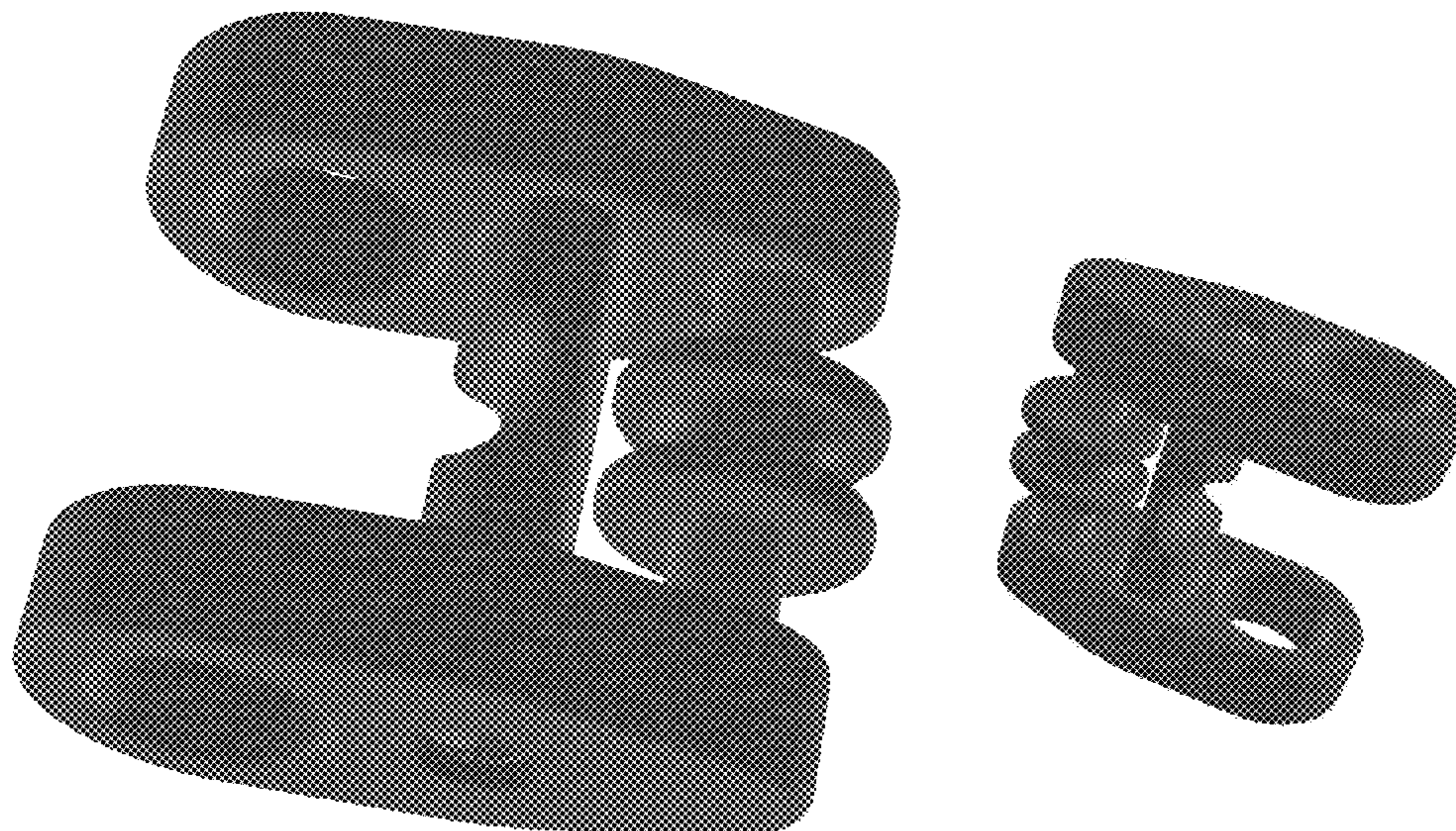
(57) **CLAIM**

The ornamental design for a hybrid cable guard slide for compound archery bows, as shown and described.

DESCRIPTION

FIG. 1 is a topside, perspective view of the hybrid cable guard slide for compound archery bows viewed obliquely from above.
FIG. 2 is an end perspective view of the hybrid cable guard slide viewed obliquely from below.
FIG. 3 is a front side perspective view of the hybrid cable guard slide viewed obliquely from below.
FIG. 4 is a front side perspective view of the hybrid cable guard slide turned obliquely to the left below.
FIG. 5 is front perspective view of the hybrid cable guard slide.
FIG. 6 is a back perspective view of the hybrid cable guard slide.
FIG. 7 is a perspective view of a proximate end of the hybrid cable guard slide.
FIG. 8 is a perspective view of the opposite or distal end of the hybrid cable guard slide.
FIG. 9 is a top plan view of the hybrid cable guard slide.
FIG. 10 is a bottom plan view of the hybrid cable guard slide; and,
FIG. 11 is an bottom side perspective view of the hybrid cable guard slide viewed obliquely from below.

1 Claim, 11 Drawing Sheets



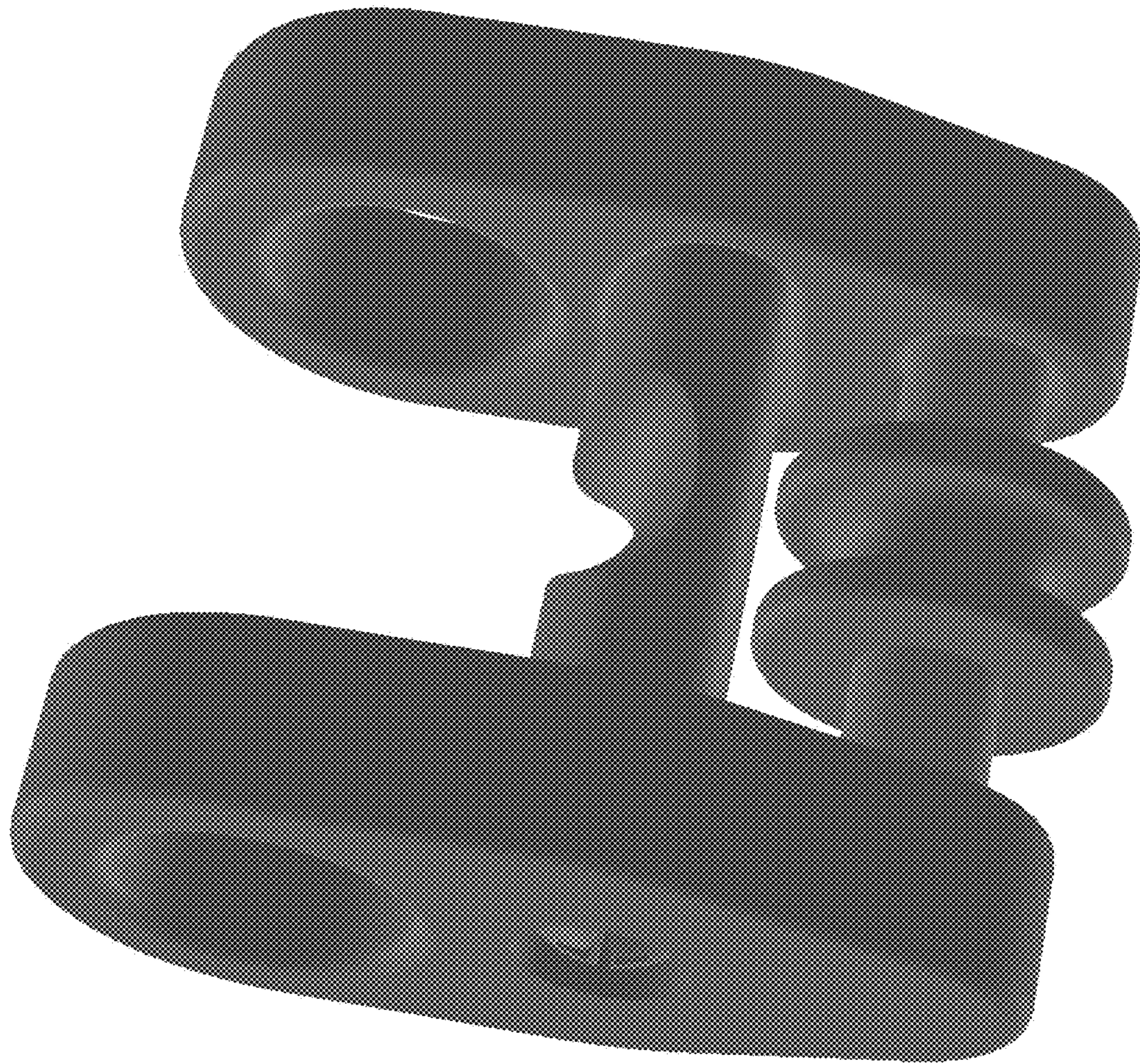


Figure 1

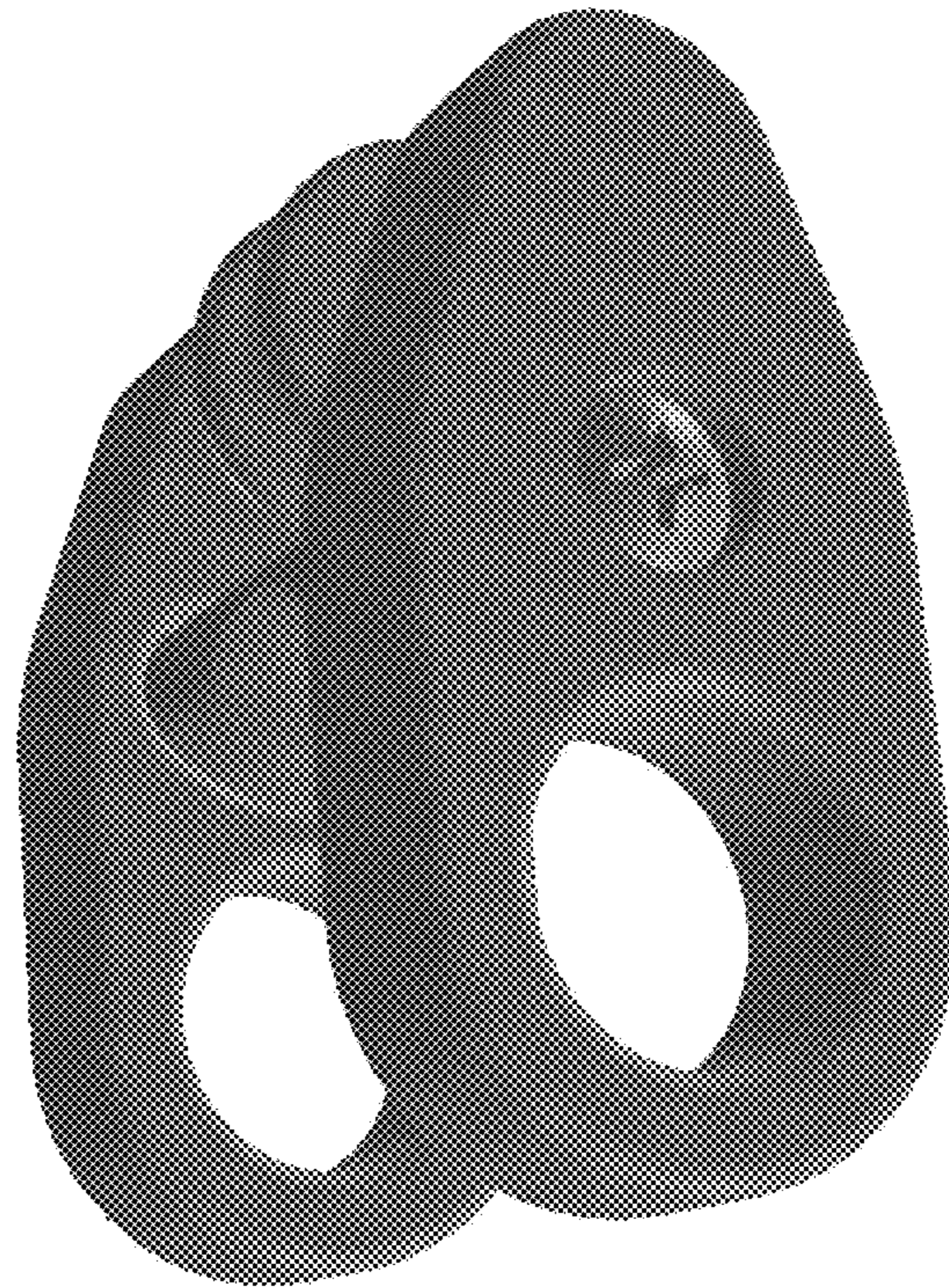


Figure 2

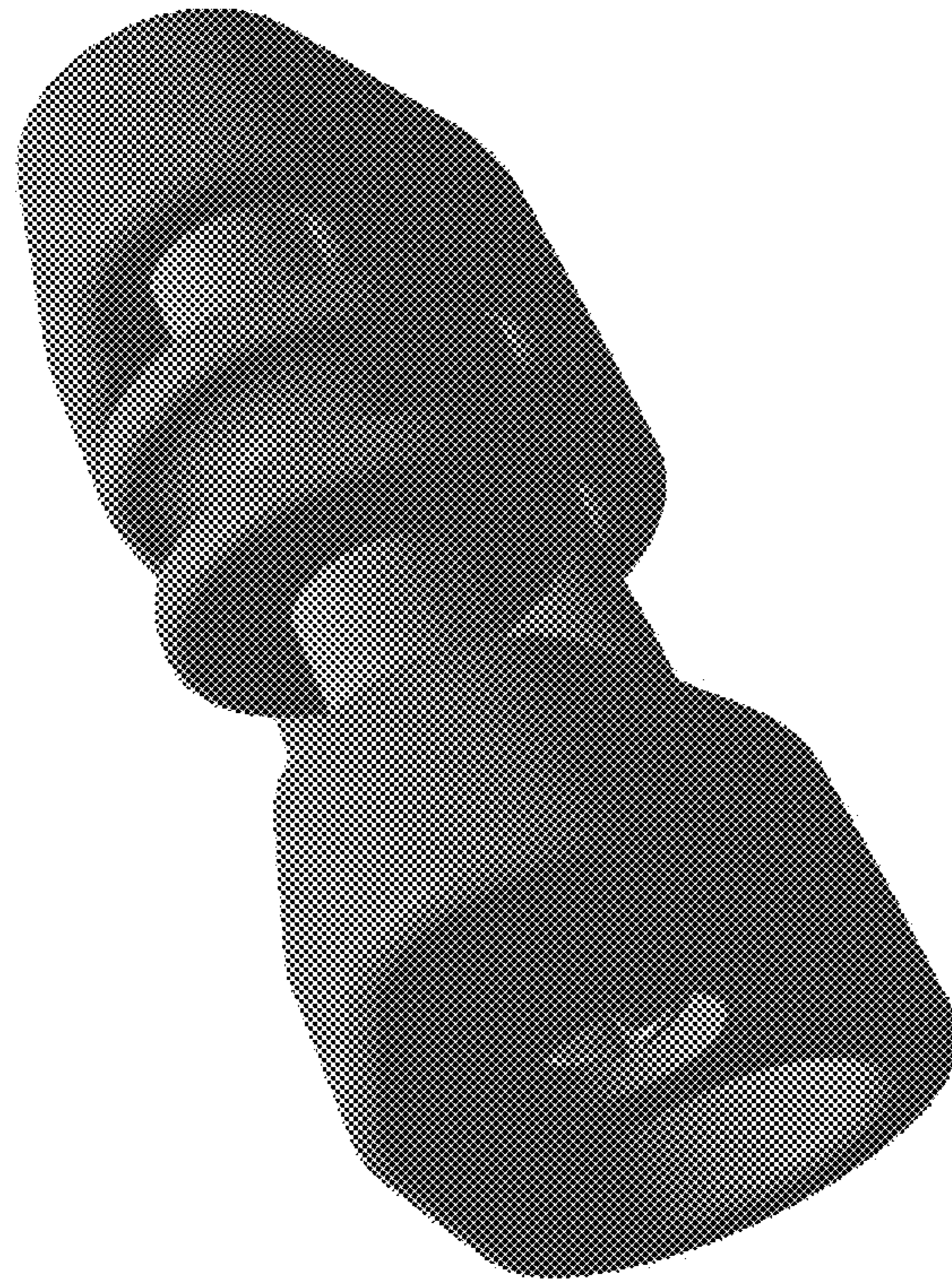


Figure 3

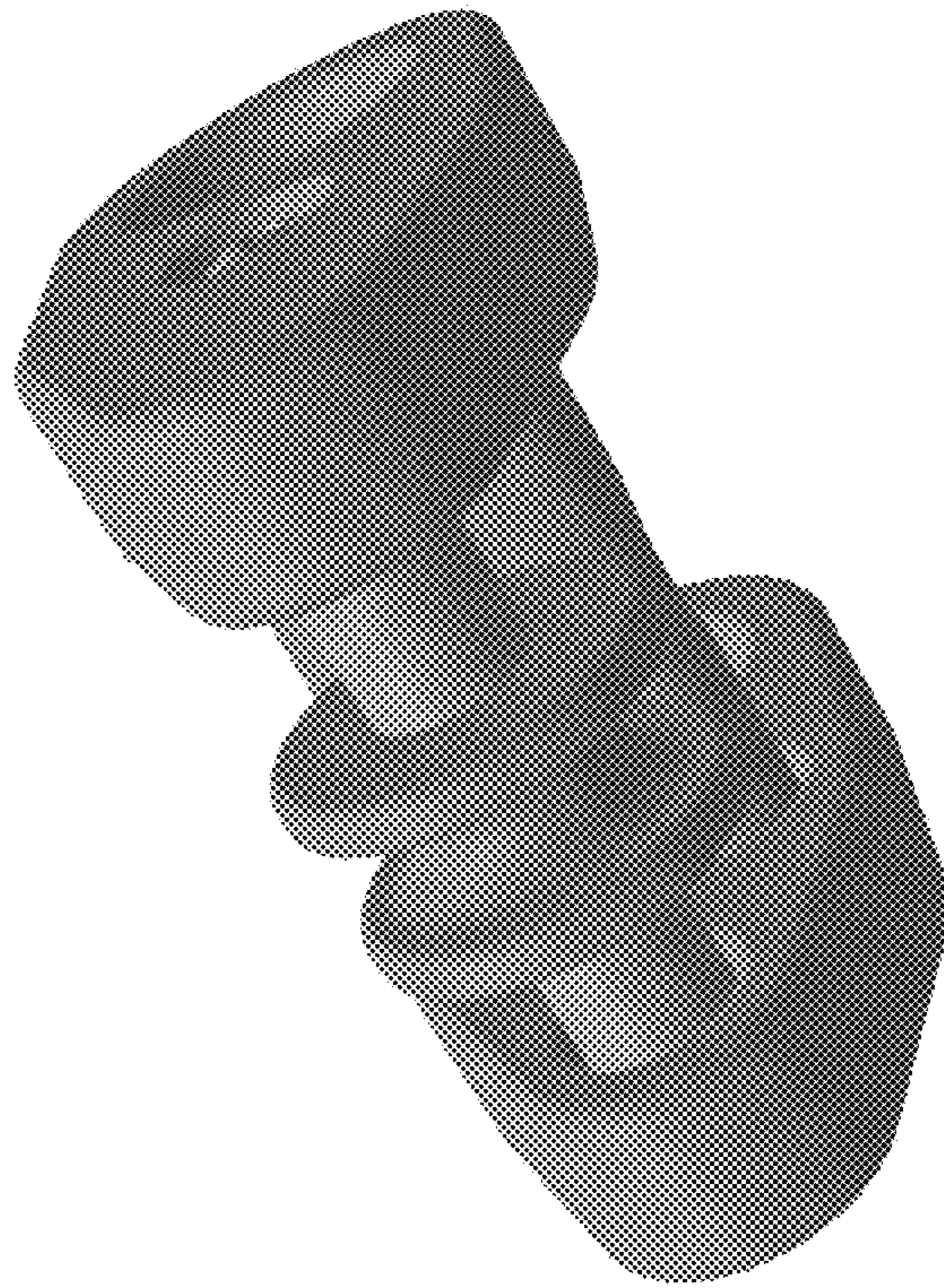


Figure 4

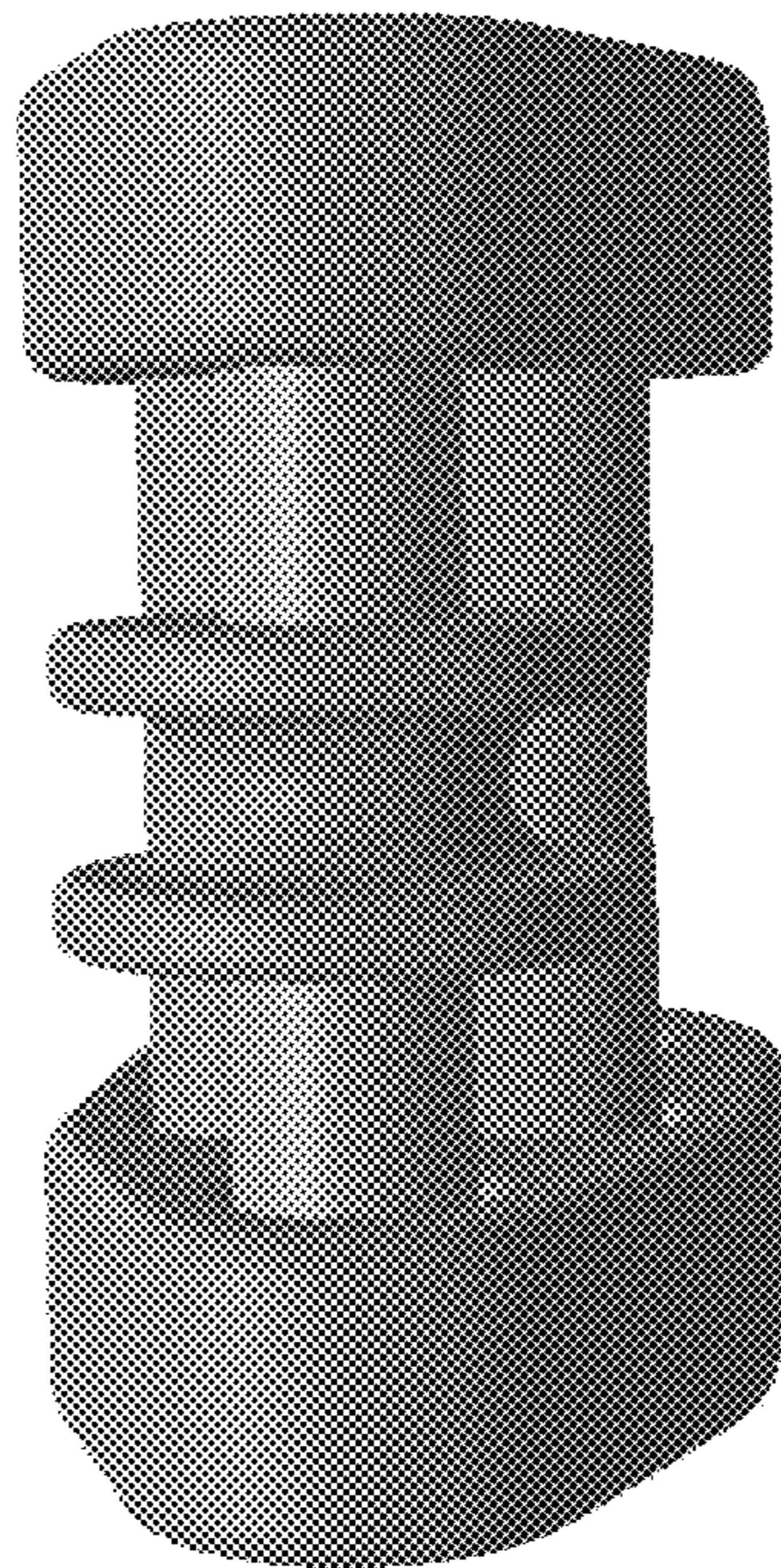


Figure 5

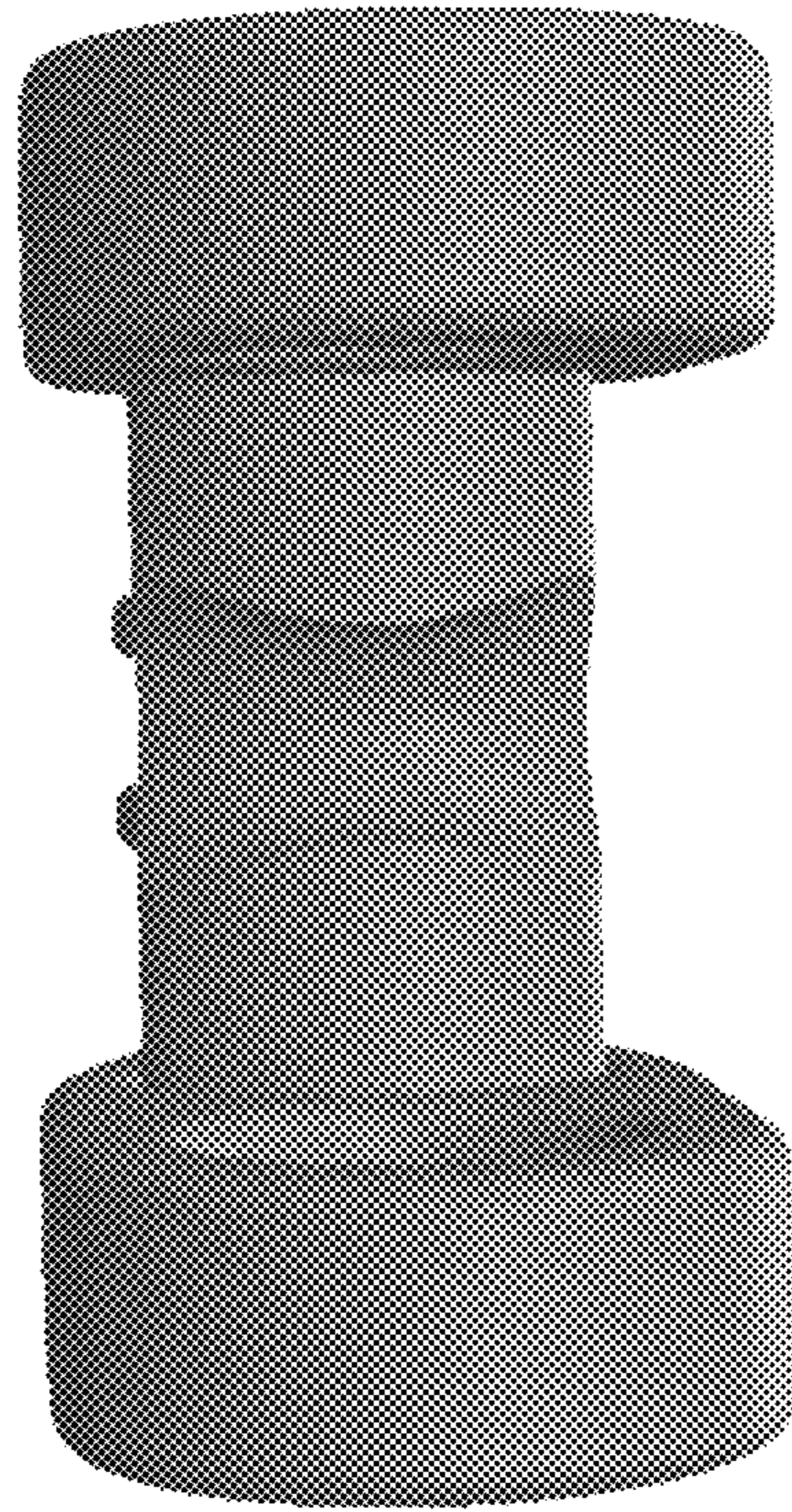


Figure 6

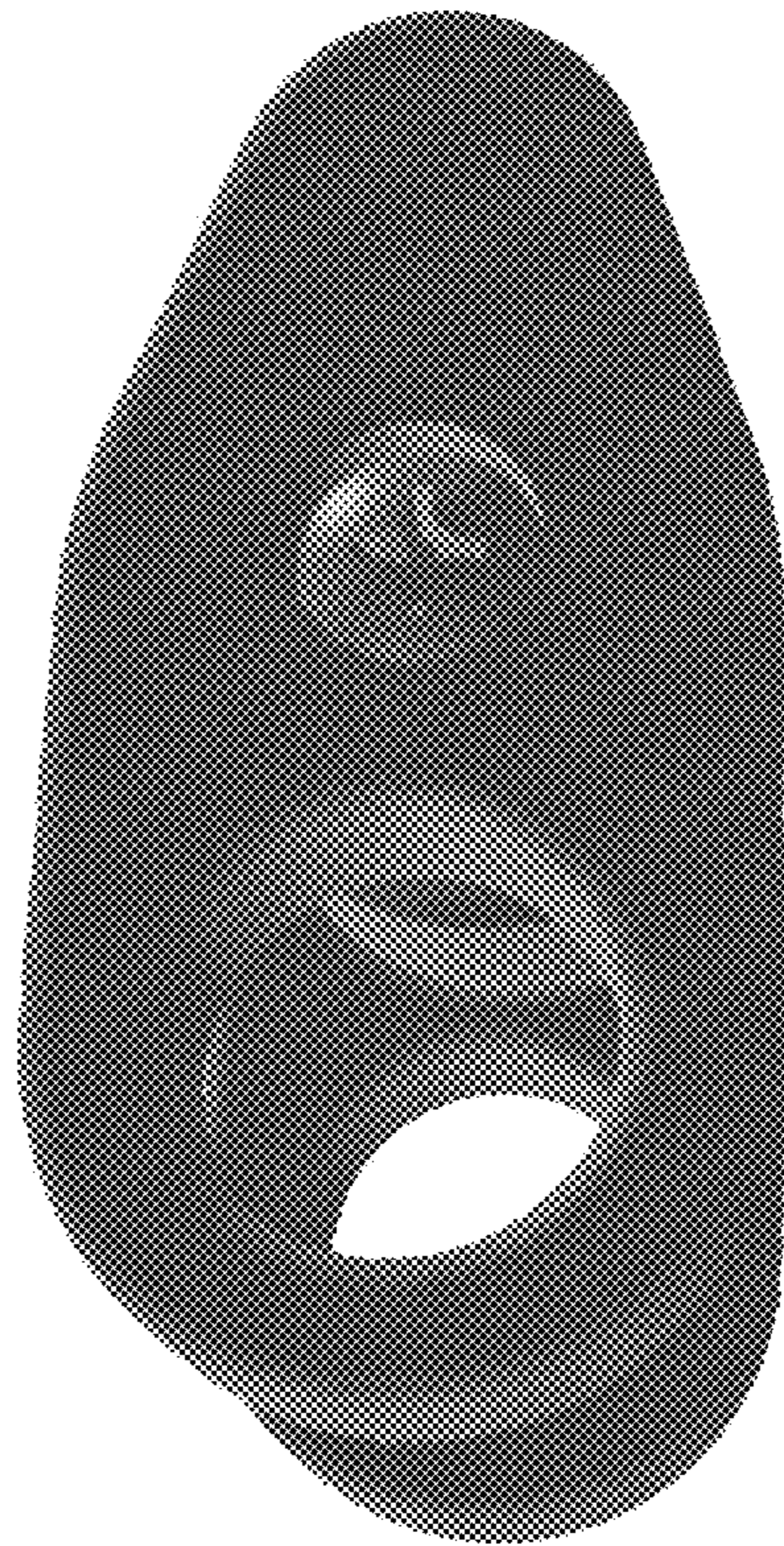


Figure 7

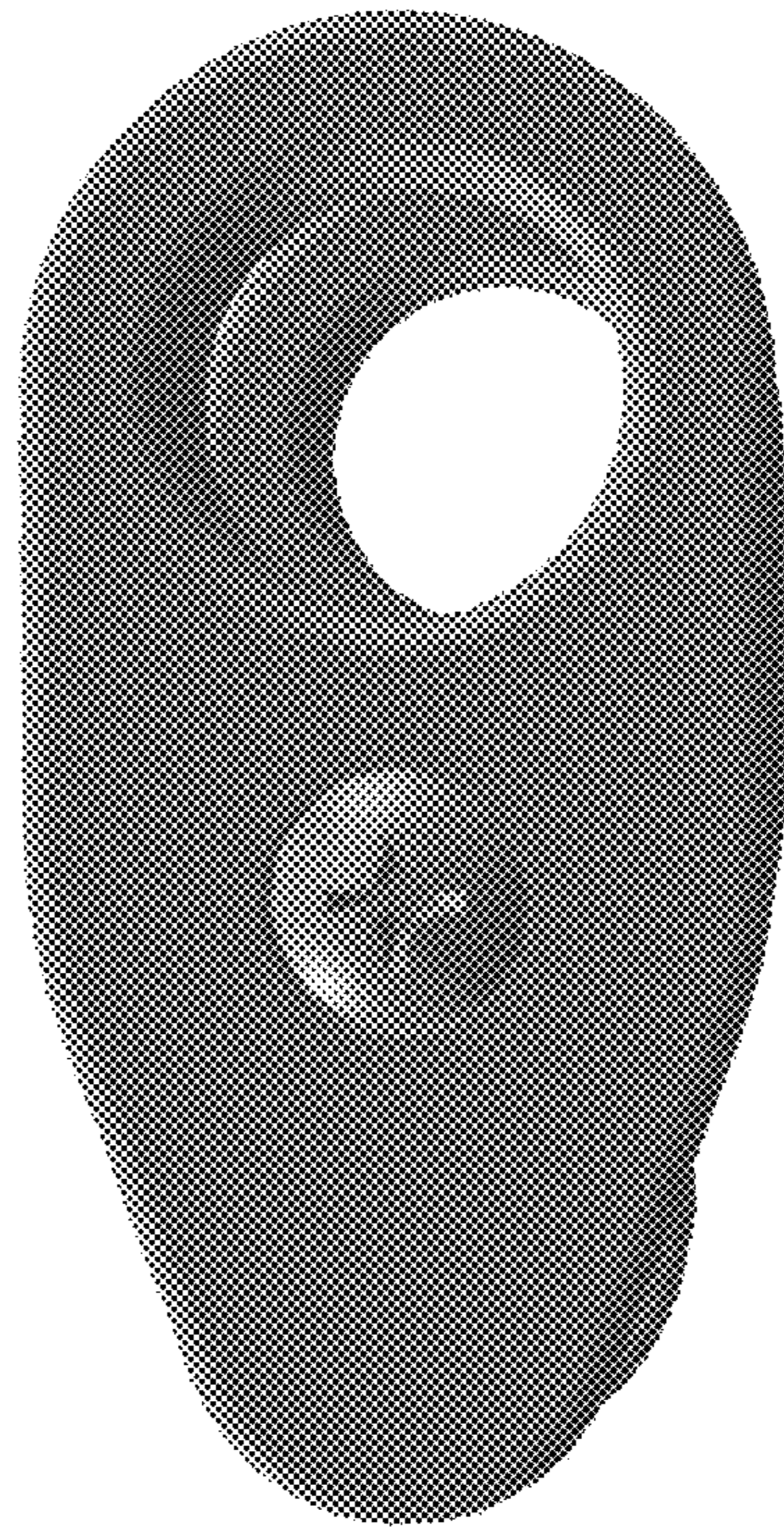


Figure 8

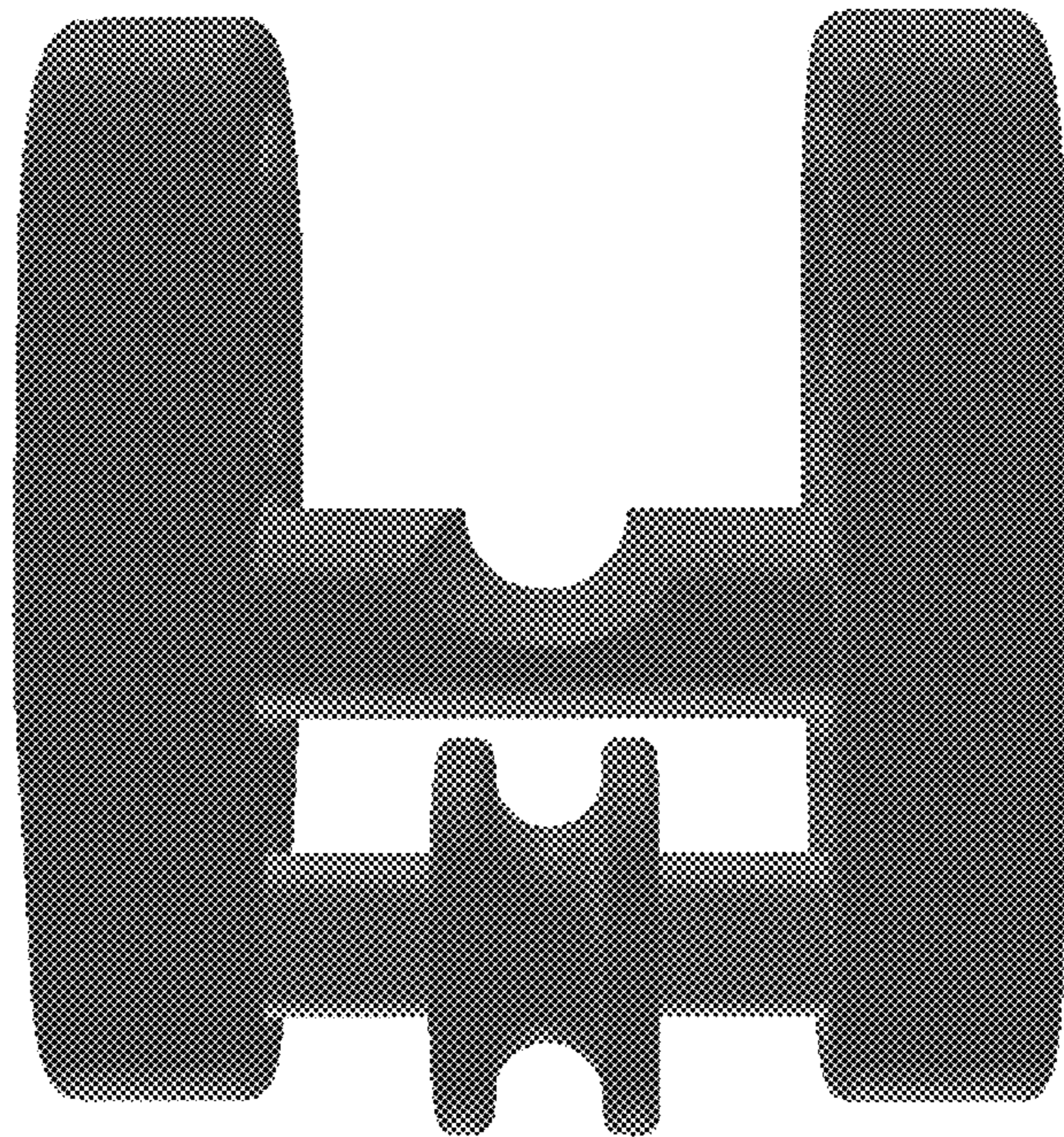


Figure 9

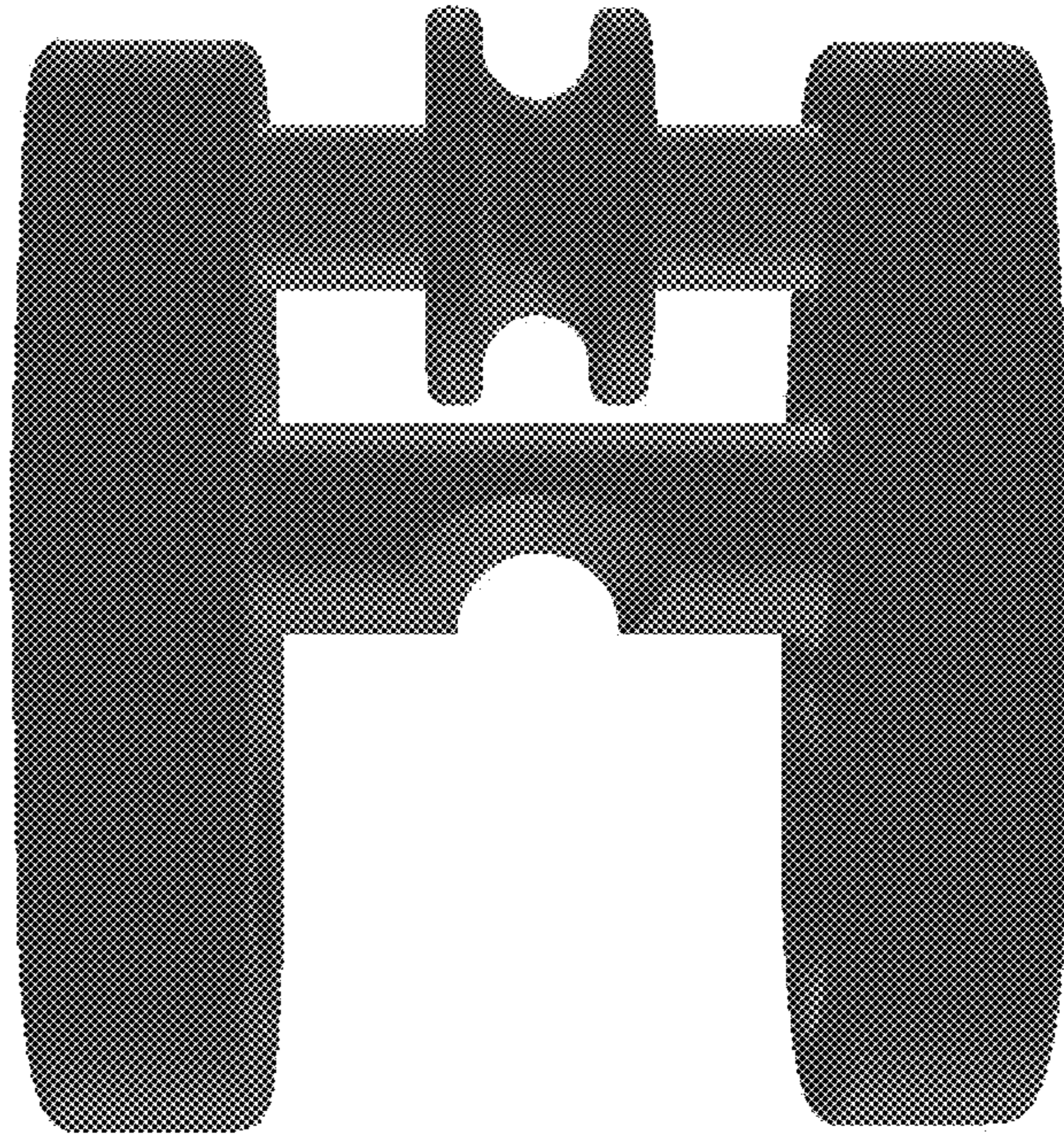


Figure 10

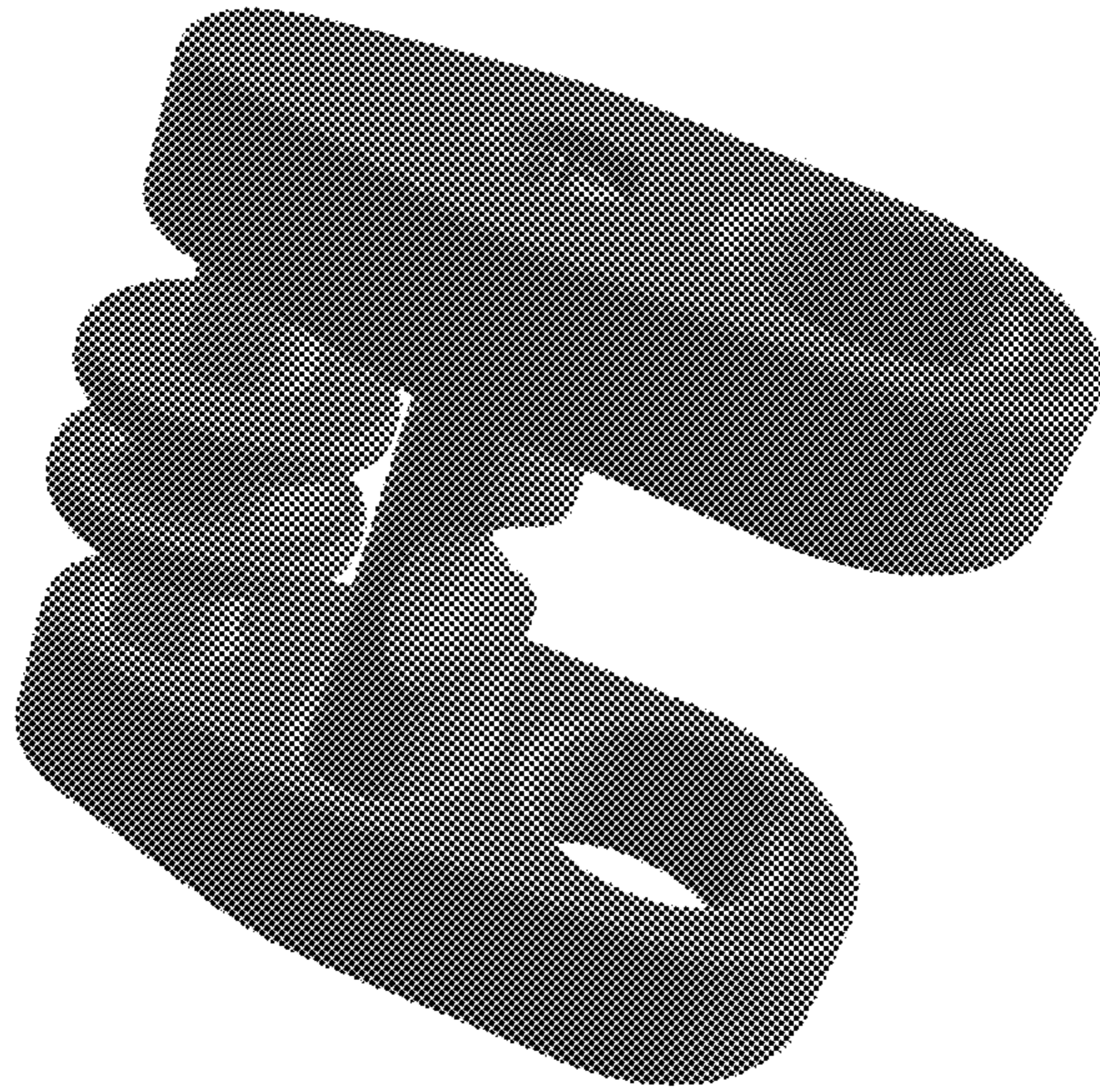


Figure 11