



US00D785121S

(12) **United States Design Patent** (10) **Patent No.:** **US D785,121 S**
Bandini et al. (45) **Date of Patent:** **** *Apr. 25, 2017**

(54) **GUN, COMPRESSED AIR GUN OR GUN MODEL**

(71) Applicant: **Arsenal Firearms Finance Limited**,
Road Town, Tortola Aleman (VG)

(72) Inventors: **Nicola Bandini**, Siena (IT); **Dimitry Streshinskiy**, Paris (FR)

(73) Assignee: **Arsenal Firearms Finance Limited**,
Road Town (VG)

(*) Notice: This patent is subject to a terminal disclaimer.

(**) Term: **14 Years**

(21) Appl. No.: **29/440,238**

(22) Filed: **Dec. 20, 2012**

(30) **Foreign Application Priority Data**

Sep. 28, 2012 (IT) BS2012O0026

(51) **LOC (10) Cl.** **22-01**

(52) **U.S. Cl.**
USPC **D22/104**

(58) **Field of Classification Search**
USPC D22/104; 42/40-42.01, 42.02, 42.03,
42/43-45, 57, 69.01, 71.02, 72, 100;
89/40.06, 41.19, 37.04, 33.04, 191.01,
89/200-204; 124/67, 66, 72, 74;
D21/572-575

See application file for complete search history.

(56) **References Cited**

U.S. PATENT DOCUMENTS

4,019,273 A * 4/1977 Kibler et al. 42/106
4,521,985 A * 6/1985 Smith et al. 42/7
4,580,484 A * 4/1986 Moore 89/128
5,090,147 A * 2/1992 Pastor 42/70.05

7,318,294 B2 * 1/2008 Zimmermann 42/7
7,401,432 B2 * 7/2008 Perry 42/108
7,703,232 B1 * 4/2010 Johns 42/108
7,958,661 B2 * 6/2011 Strayer 42/50
8,127,481 B2 * 3/2012 Rozum et al. 42/70.08
8,312,658 B2 * 11/2012 Lippard 42/69.03
2013/0205632 A1 * 8/2013 Kohout 42/8
2013/0283660 A1 * 10/2013 Matthews et al. 42/113

* cited by examiner

Primary Examiner — Michael A Pratt

(74) *Attorney, Agent, or Firm* — Kilyk & Bowersox,
P.L.L.C.

(57) **CLAIM**

The design related to gun, compressed air gun or gun model,
as shown and described.

DESCRIPTION

FIG. 1 is a front perspective view of the gun, showing our new design;

FIG. 2 is a left side view thereof;

FIG. 3 is a right side view thereof;

FIG. 4 is a front view thereof;

FIG. 5 is a rear view thereof;

FIG. 6 is a top view thereof;

FIG. 7 is a bottom view thereof;

FIG. 8 is a rear perspective view thereof;

FIG. 9 is a front perspective view showing a variation of our new design;

FIG. 10 is a left side view of FIG. 9;

FIG. 11 is a right side view of FIG. 9;

FIG. 12 is a front view of FIG. 9;

FIG. 13 is a rear view of FIG. 9;

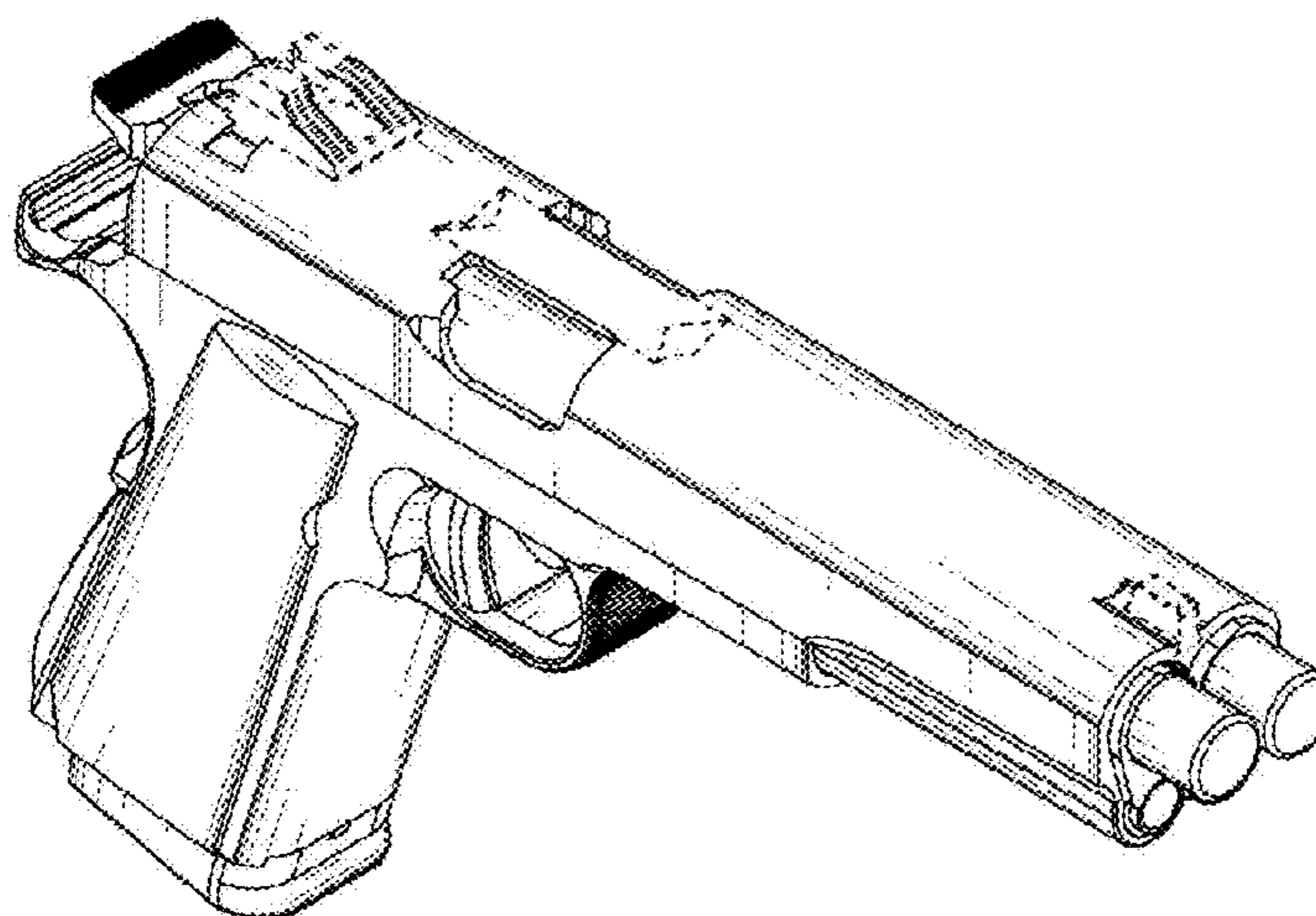
FIG. 14 is a top view of FIG. 9;

FIG. 15 is a bottom view of FIG. 9; and,

FIG. 16 is a rear perspective view of FIG. 9.

The broken lines shown are included for the purpose of illustrating the unclaimed portions of the article and form no part of the claimed design.

1 Claim, 16 Drawing Sheets



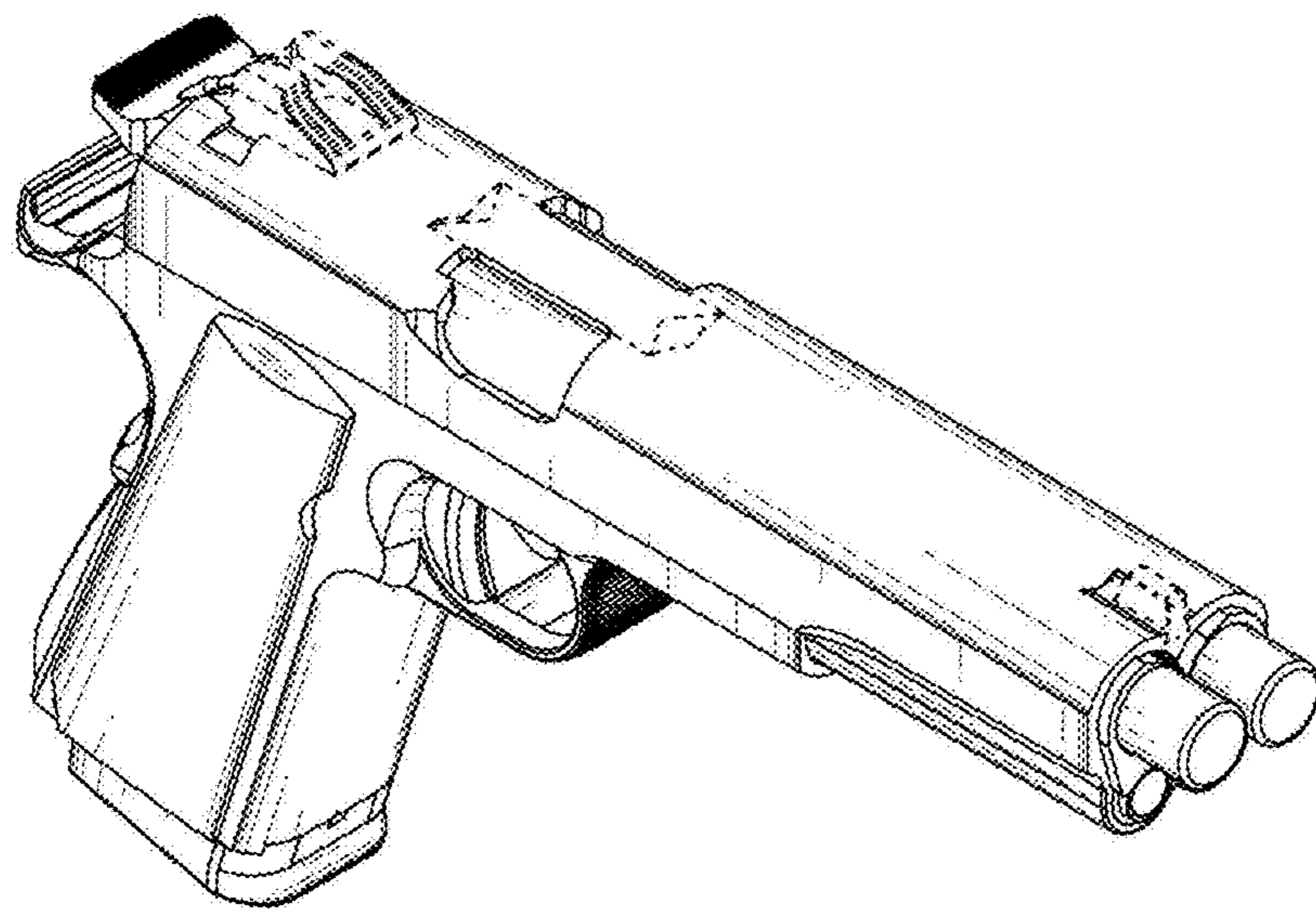


FIG. 1

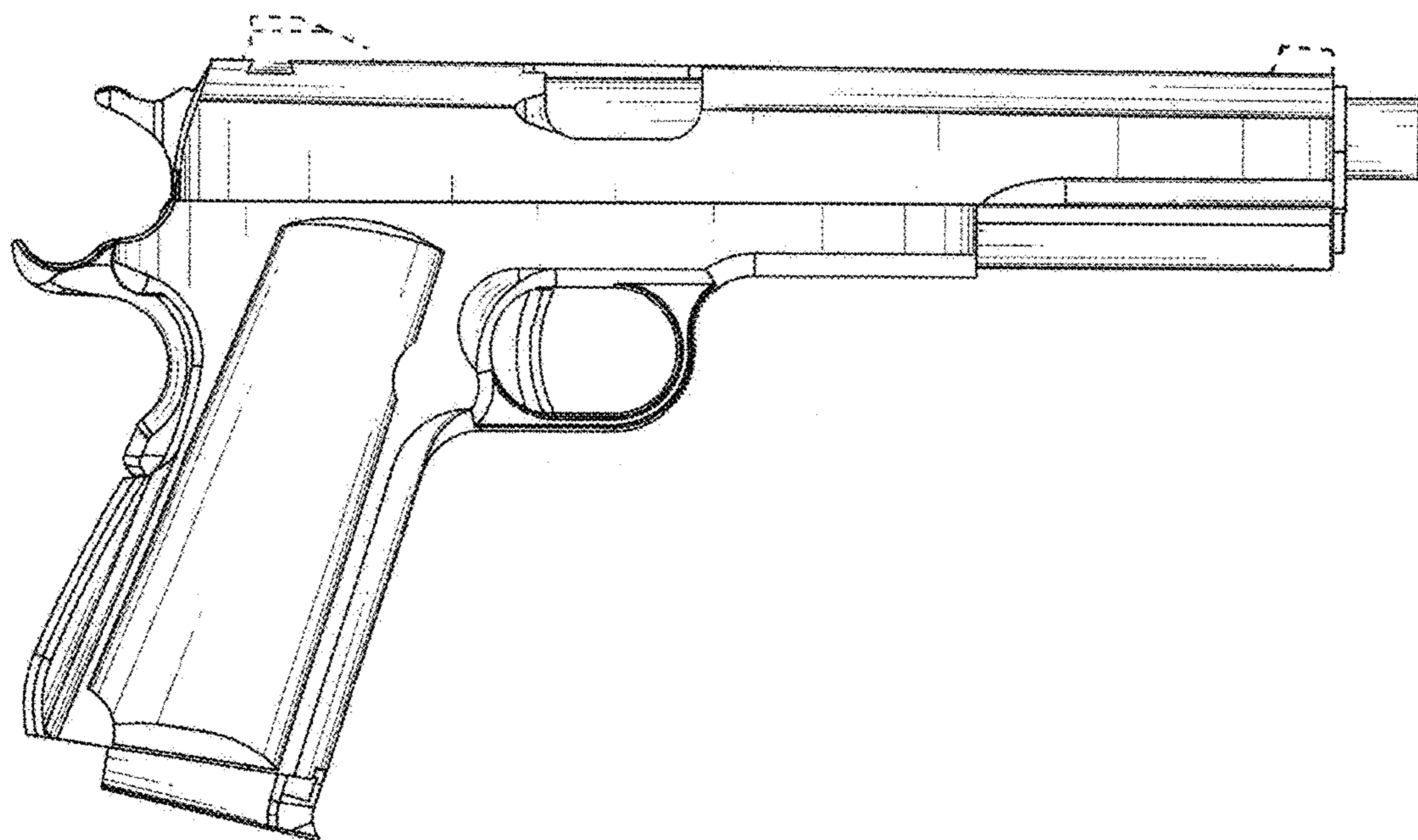


FIG. 2

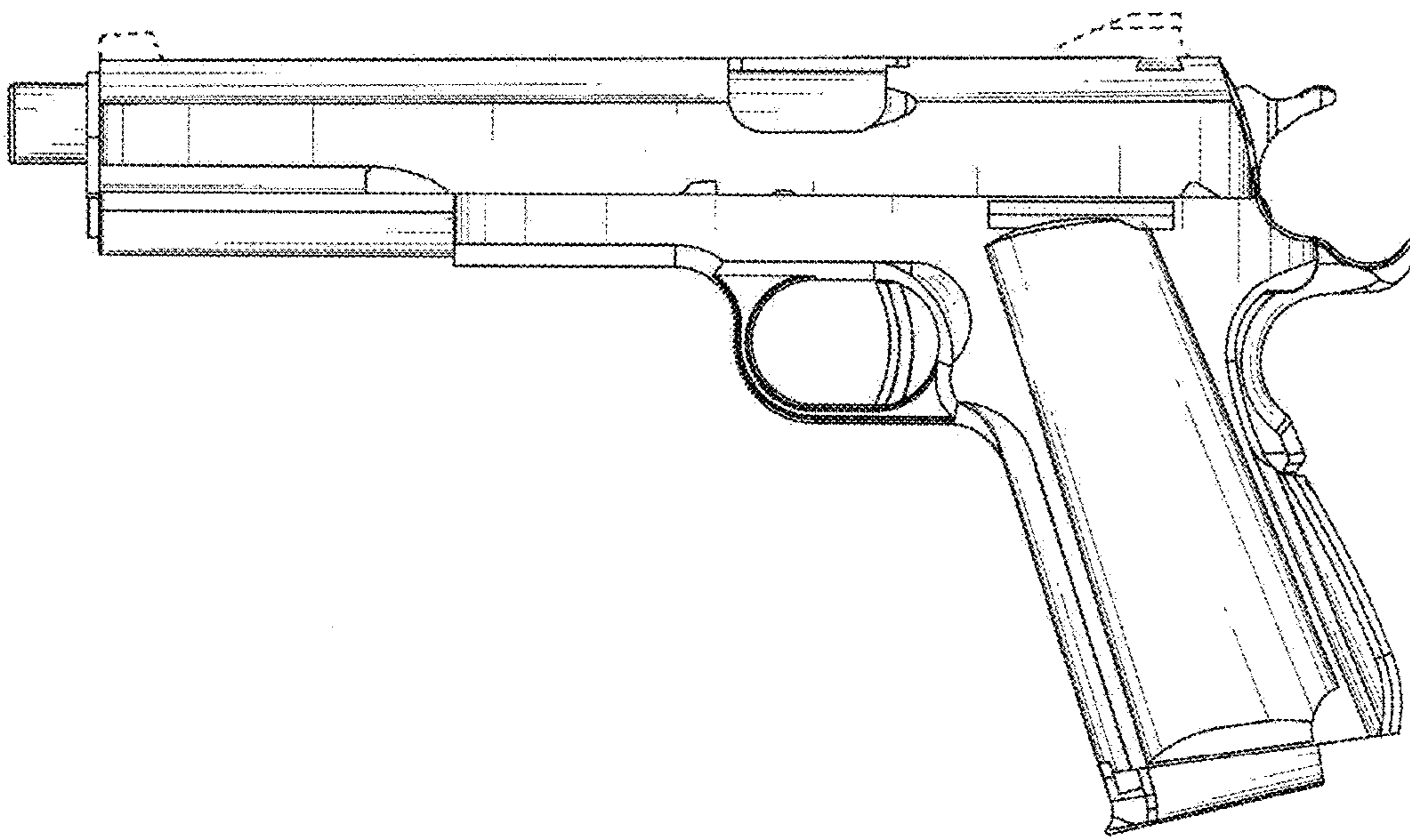


FIG. 3

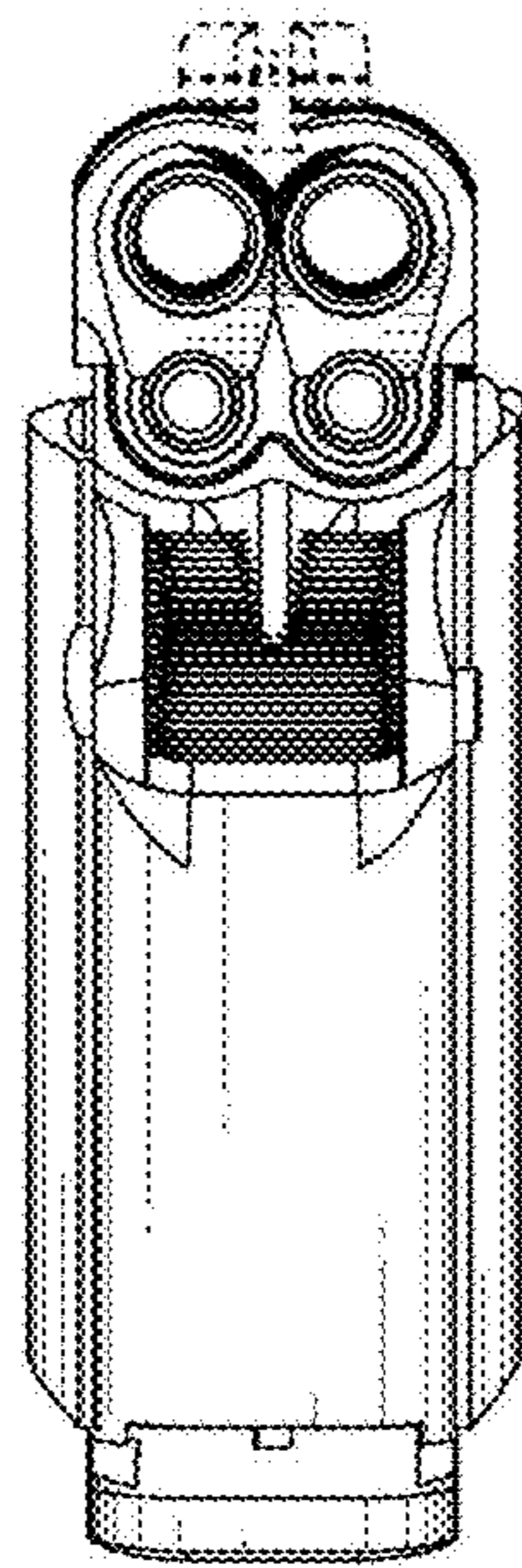


FIG. 4

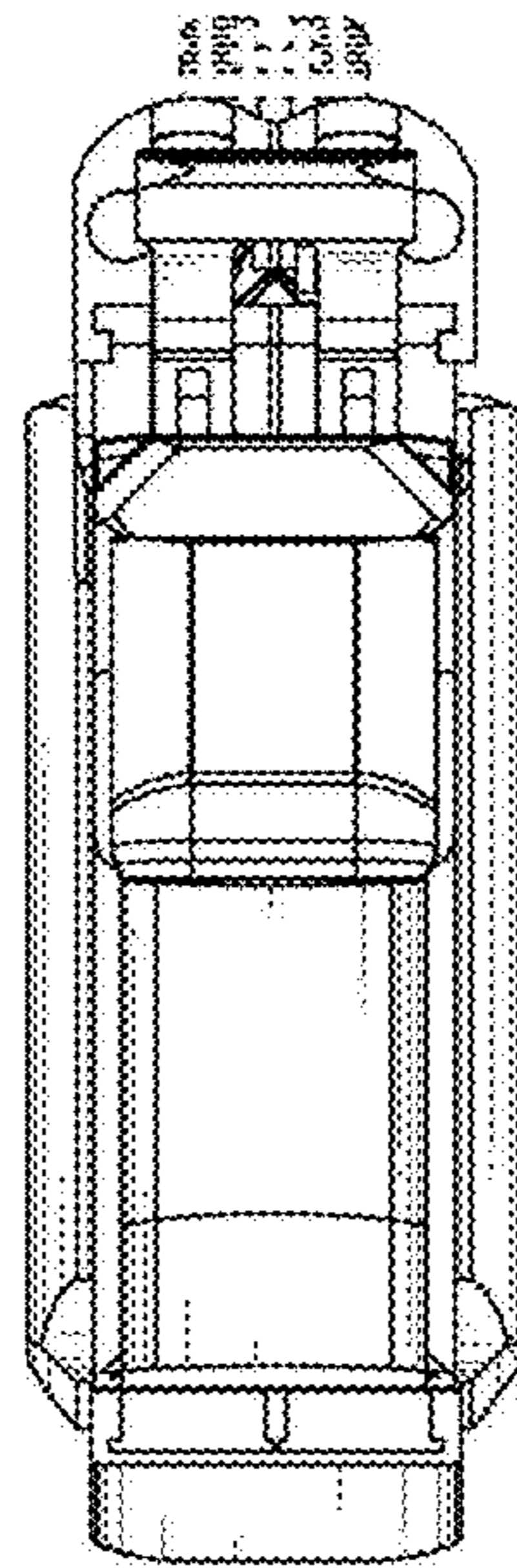


FIG. 5

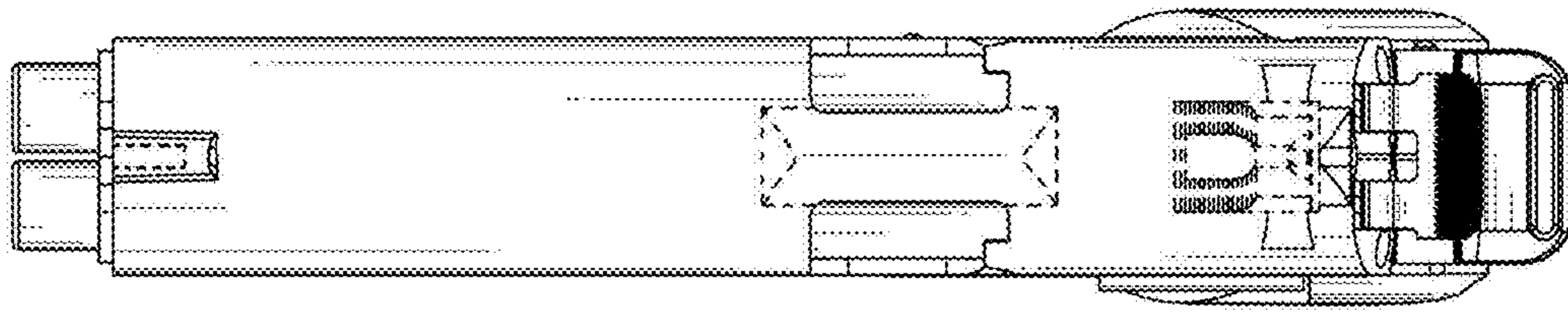


FIG. 6

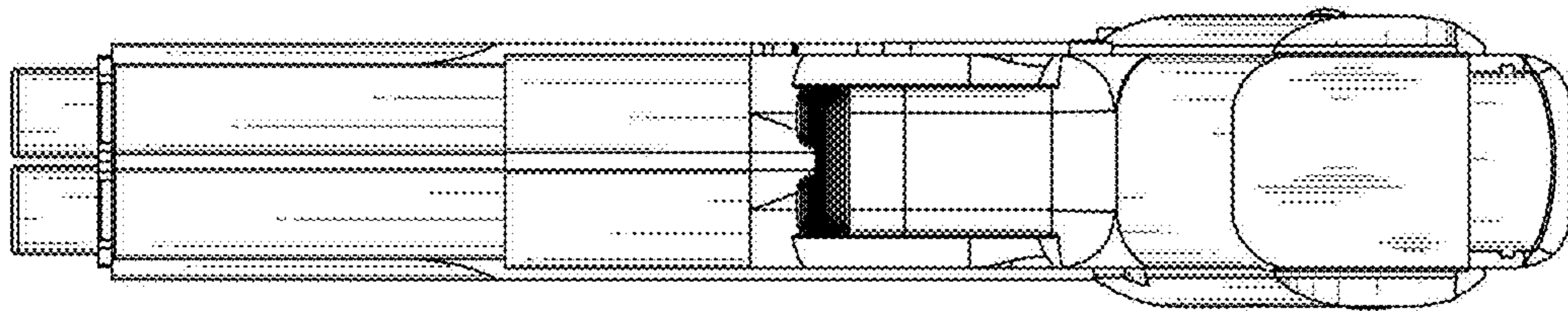


FIG. 7

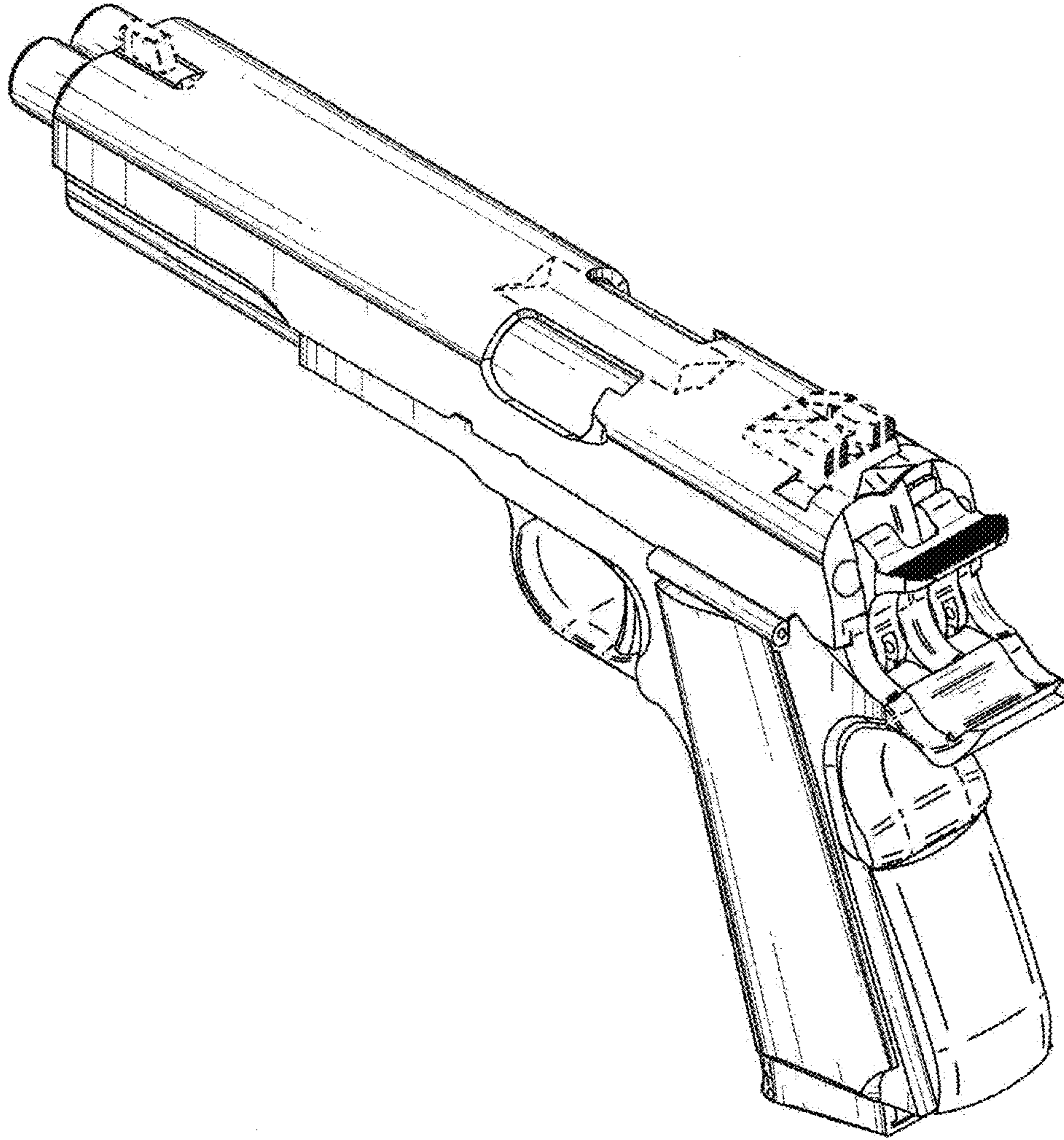


FIG. 8

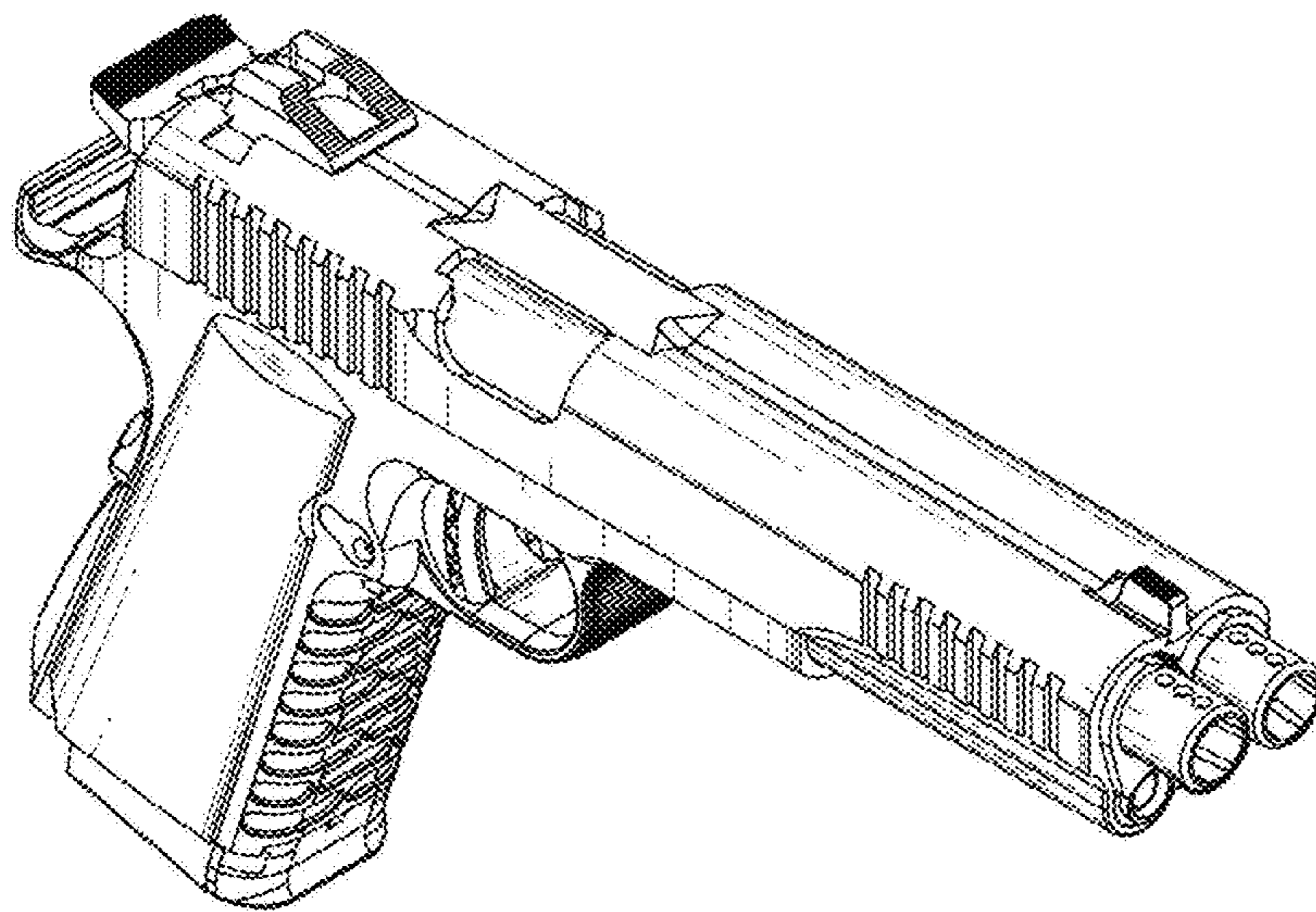


FIG. 9

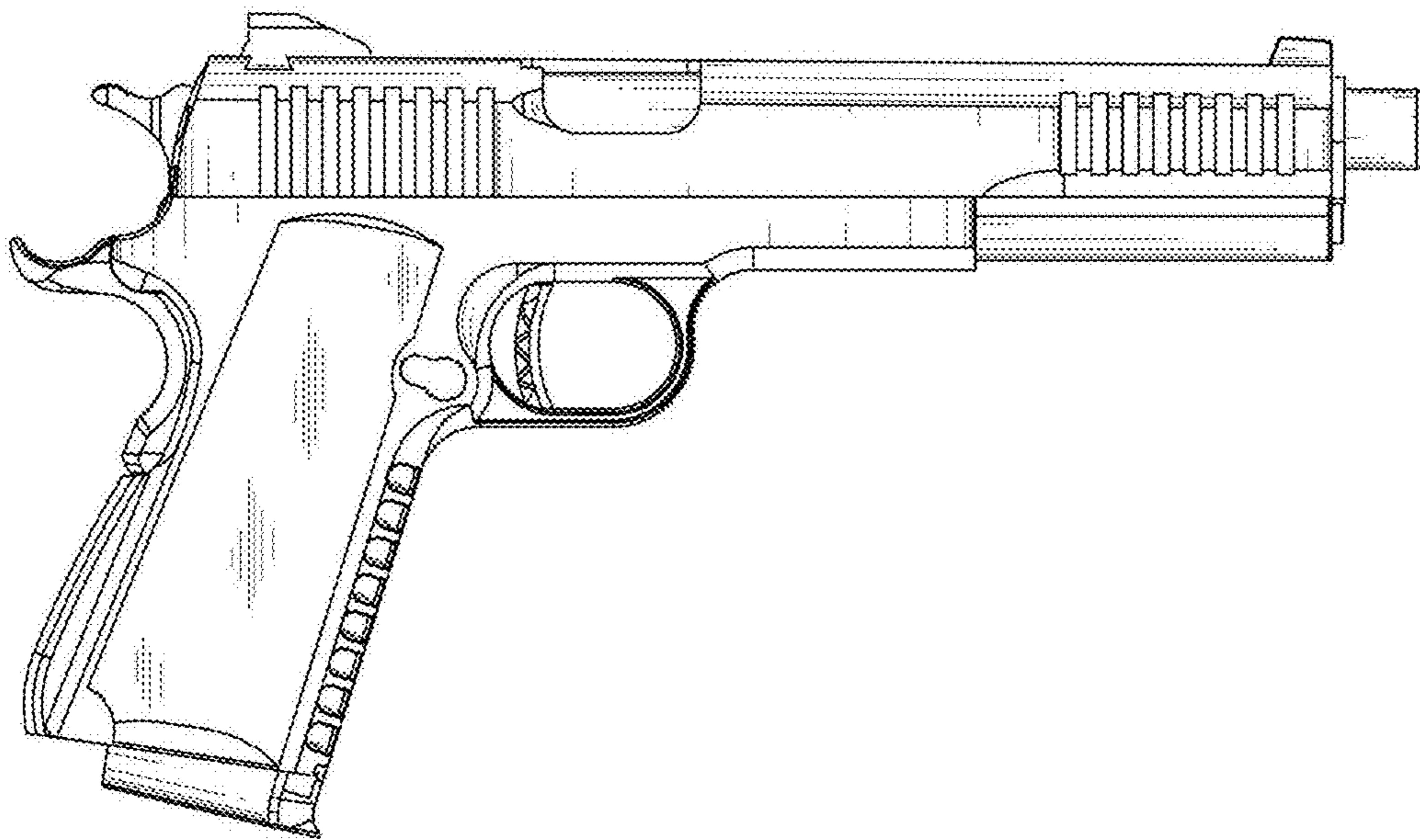


FIG. 10

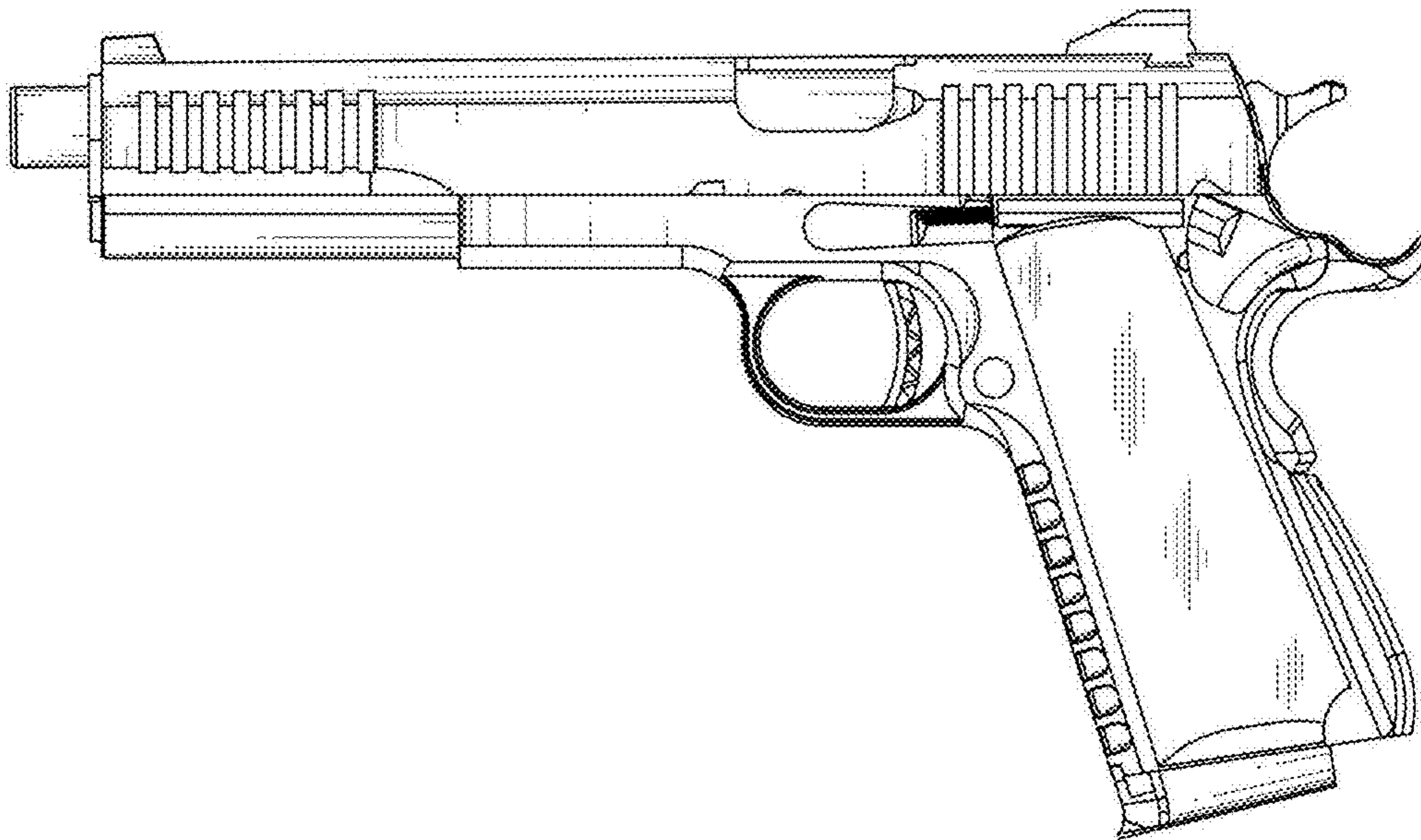


FIG. 11

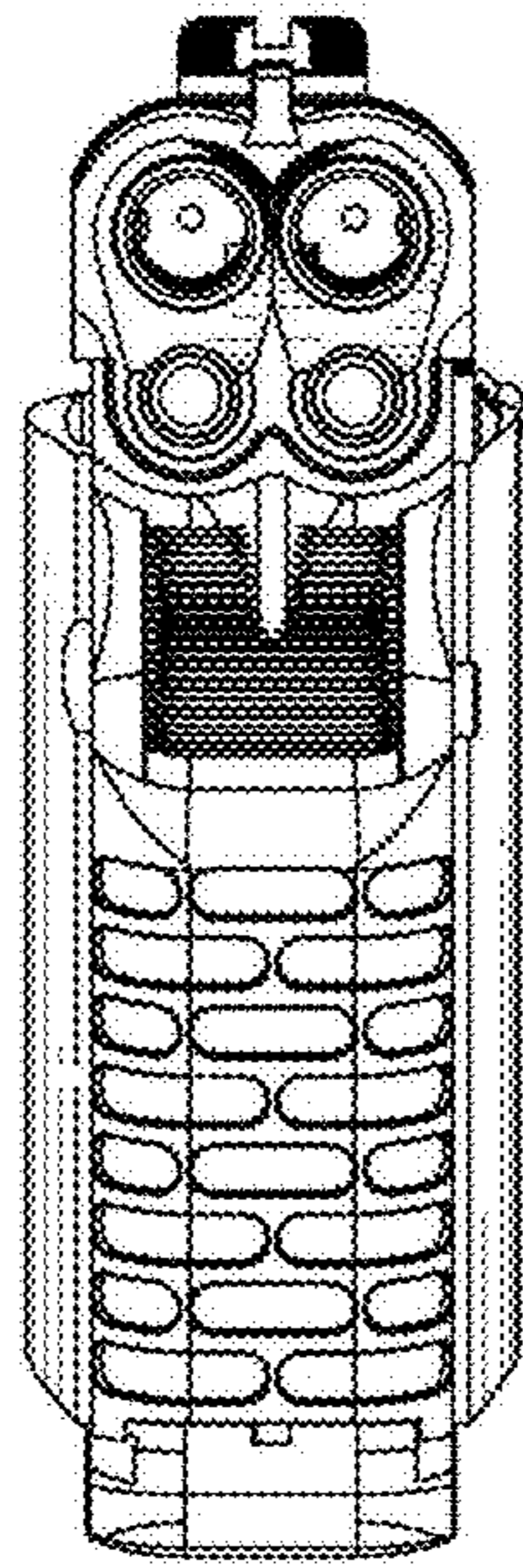


FIG. 12

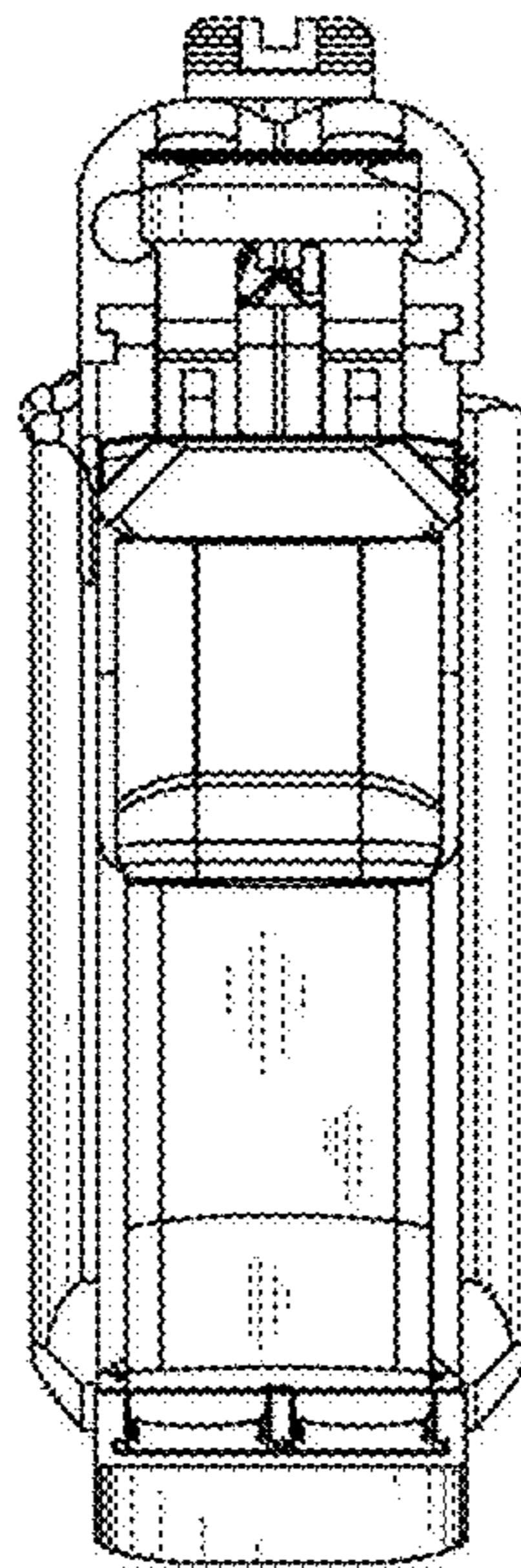


FIG. 13

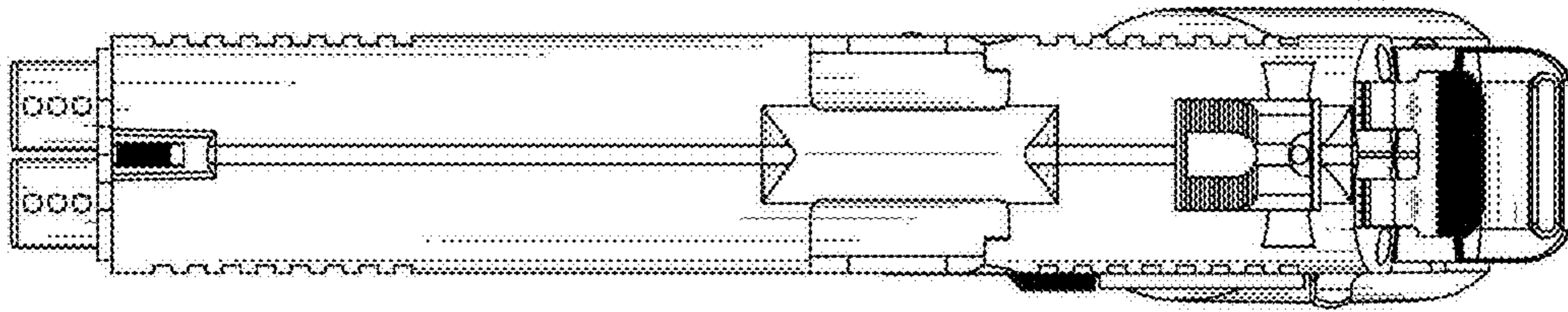


FIG. 14

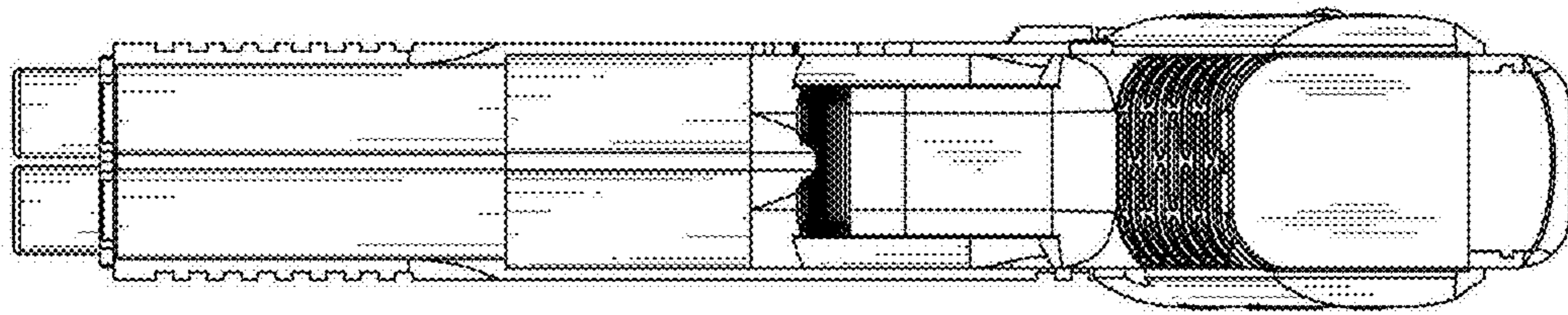


FIG. 15

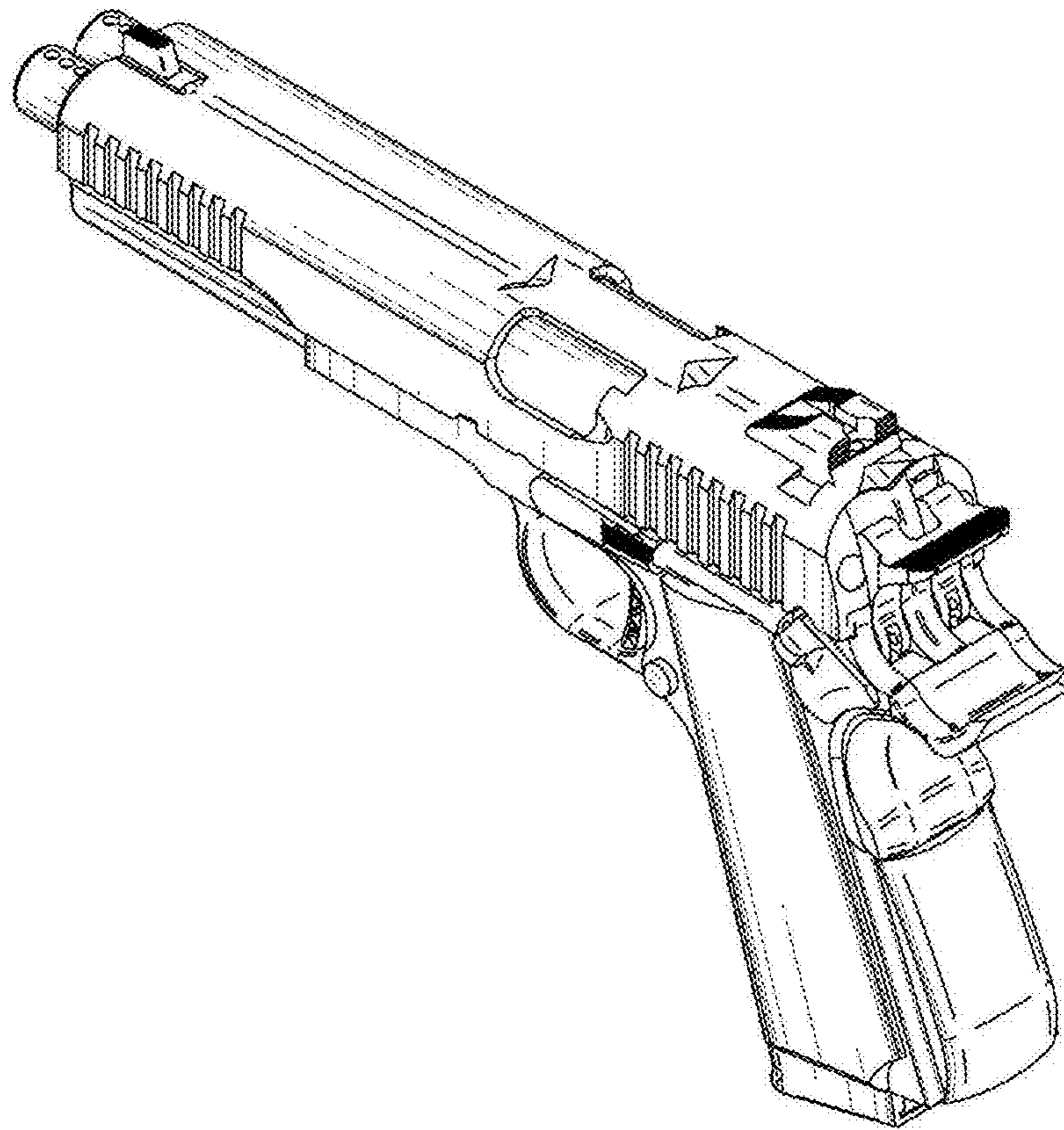


FIG. 16