



US00D785119S

(12) **United States Design Patent**  
**Hempton**

(10) **Patent No.:** **US D785,119 S**

(45) **Date of Patent:** **\*\* Apr. 25, 2017**

- (54) **INFLATABLE POOL TOY**
- (71) Applicant: **David Mark Hempton**, Sydney (AU)
- (72) Inventor: **David Mark Hempton**, Sydney (AU)
- (73) Assignee: **David Mark Hempton**, Sydney (AU)
- (\*\*) Term: **15 Years**
- (21) Appl. No.: **29/536,083**
- (22) Filed: **Aug. 13, 2015**
- (51) **LOC (10) Cl.** ..... **12-06**
- (52) **U.S. Cl.**  
USPC ..... **D21/808**
- (58) **Field of Classification Search**  
USPC ..... D21/801, 804–806, 808, 415, 428,  
D21/438–439, 473, 576, 597, 626;  
D1/106–107, 126–128  
CPC ..... B63C 9/11; B63C 2009/0023; B63C 9/08;  
B63C 2009/042; B63C 2009/046; A63B  
31/10–31/12; A63B 31/00; A63B 31/08;  
B63B 35/76; B63B 114/345–114/346;  
B63B 441/35; B63B 441/66; B63B  
441/40–441/41; B63B 441/129–441/132;  
B63B 472/128–472/129  
See application file for complete search history.

- 2,688,207 A \* 9/1954 Hurt ..... B63B 35/74  
446/153
- D298,197 S \* 10/1988 Bussell ..... D11/149
- D348,164 S \* 6/1994 Hollinger ..... D6/539
- D360,906 S \* 8/1995 Hackett ..... D21/428
- D463,511 S \* 9/2002 Weiser ..... D21/585

(Continued)

**OTHER PUBLICATIONS**

“The original giant flamingo inflatable pool float—80 inches,” [online], posted May 7, 2015, retrieved Nov. 15, 2016, retrieved from <[https://www.amazon.com/Original-Giant-Flamingo-Inflatable-Inches/dp/B00YU97FG/ref=cm\\_cr\\_arp\\_d\\_product\\_top?ie=UTF8](https://www.amazon.com/Original-Giant-Flamingo-Inflatable-Inches/dp/B00YU97FG/ref=cm_cr_arp_d_product_top?ie=UTF8)>.\*

(Continued)

*Primary Examiner* — Karen Kearney  
*Assistant Examiner* — Debra Callahan

(57) **CLAIM**

The ornamental design for an inflatable pool toy, as shown and described.

**DESCRIPTION**

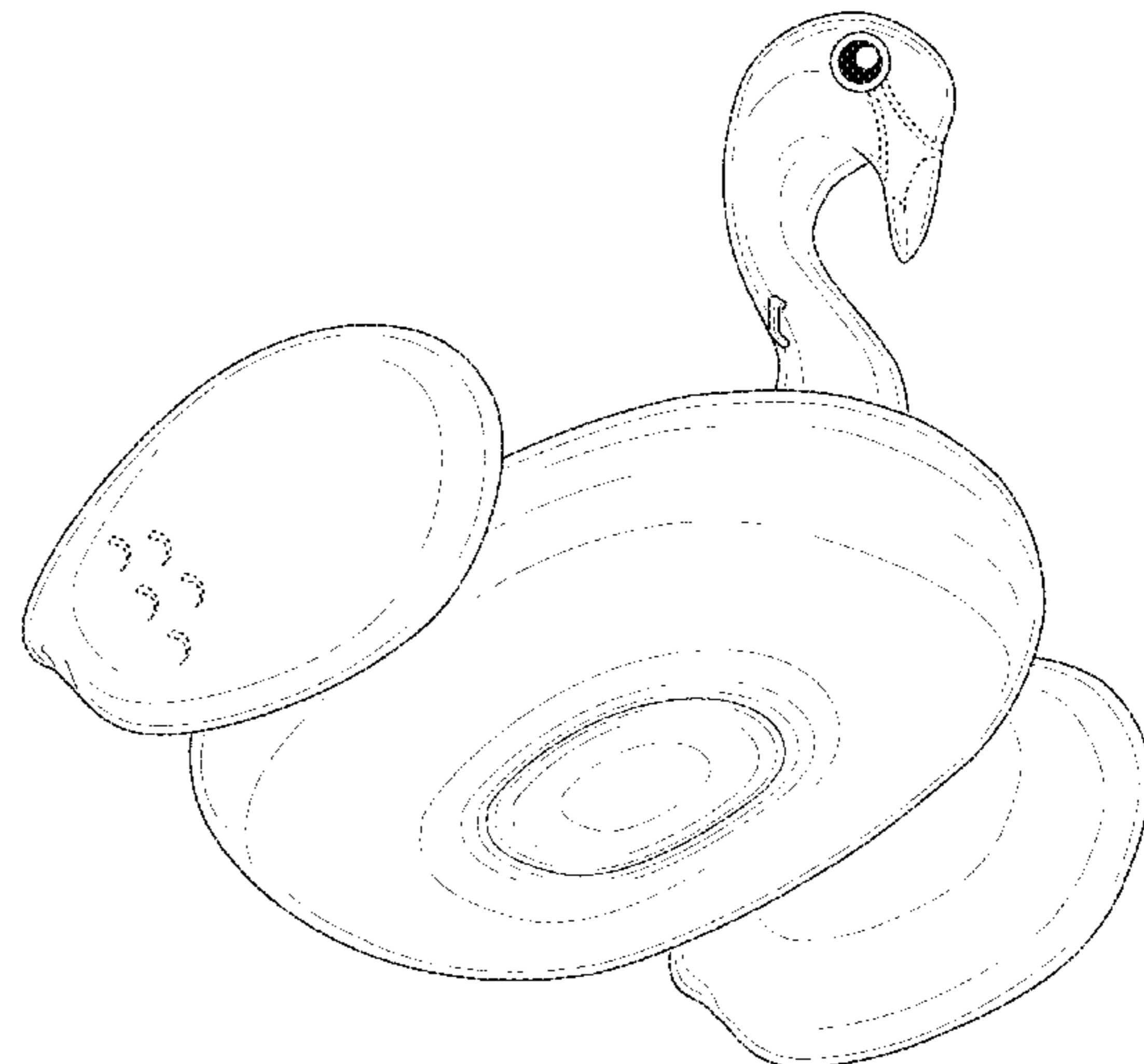
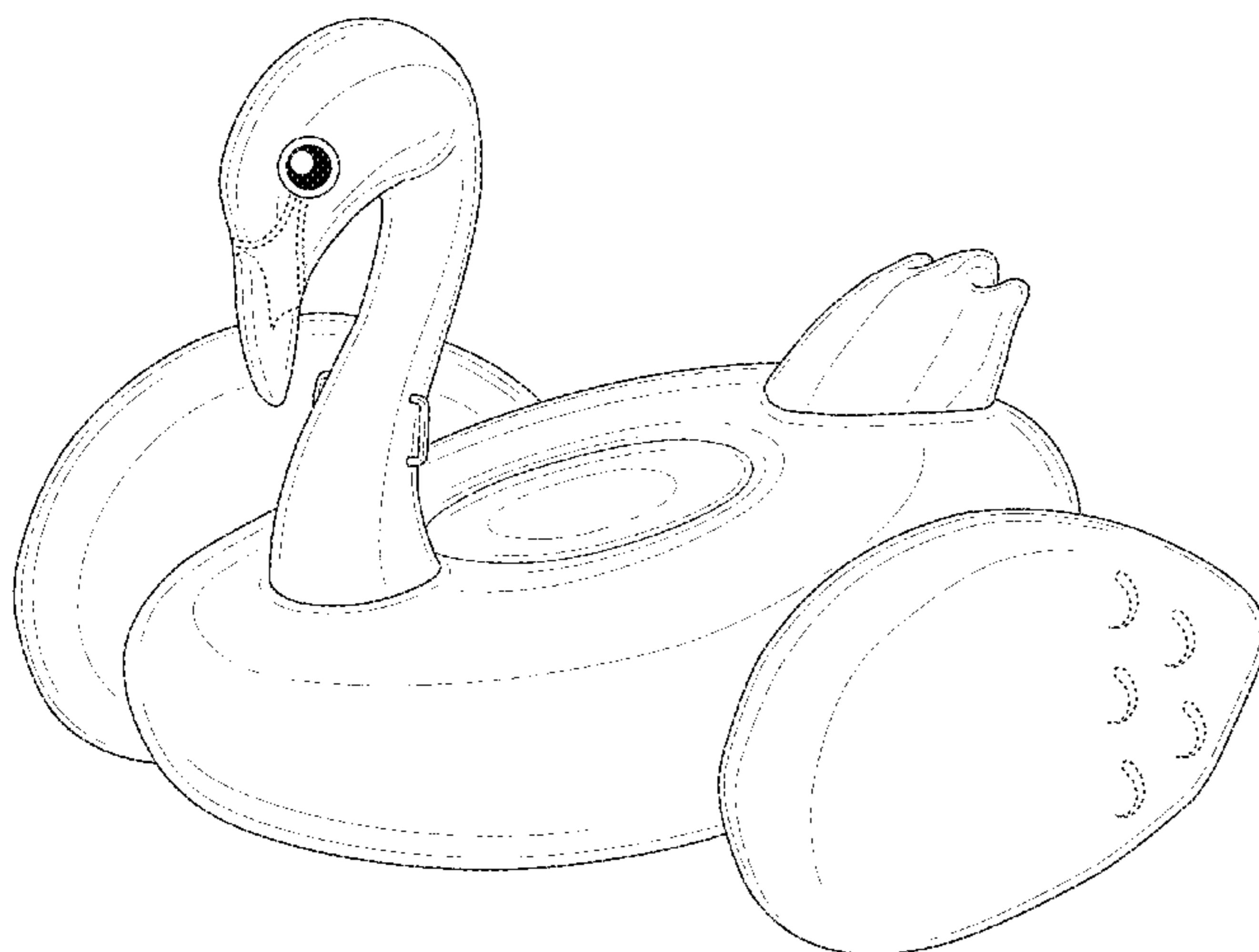
FIG. 1 is a front right top perspective view of an inflatable pool toy showing my new design;  
FIG. 2 is a front left bottom perspective view thereof;  
FIG. 3 is a front elevational view thereof;  
FIG. 4 is a rear elevational view thereof;  
FIG. 5 is a right side elevational view thereof;  
FIG. 6 is a right side elevational view thereof;  
FIG. 7 is a top plan view thereof; and,  
FIG. 8 is a bottom plan view thereof.  
The broken lines and the areas enclosed by the broken lines shown in the drawings illustrate portions of the inflatable pool toy that form no part of the claimed design.

**1 Claim, 8 Drawing Sheets**

(56) **References Cited**

**U.S. PATENT DOCUMENTS**

- D57,558 S \* 4/1921 Webb ..... D21/415
- 1,566,858 A \* 12/1925 Guinzburg ..... B63C 9/08  
43/3
- 1,659,248 A \* 2/1928 Eldon ..... B63C 9/08  
43/3
- D140,823 S \* 4/1945 Moncer ..... D11/149
- D161,906 S \* 2/1951 Cohen ..... D21/608
- 2,581,545 A \* 1/1952 Long ..... A63H 23/10  
441/131



(56)

**References Cited**

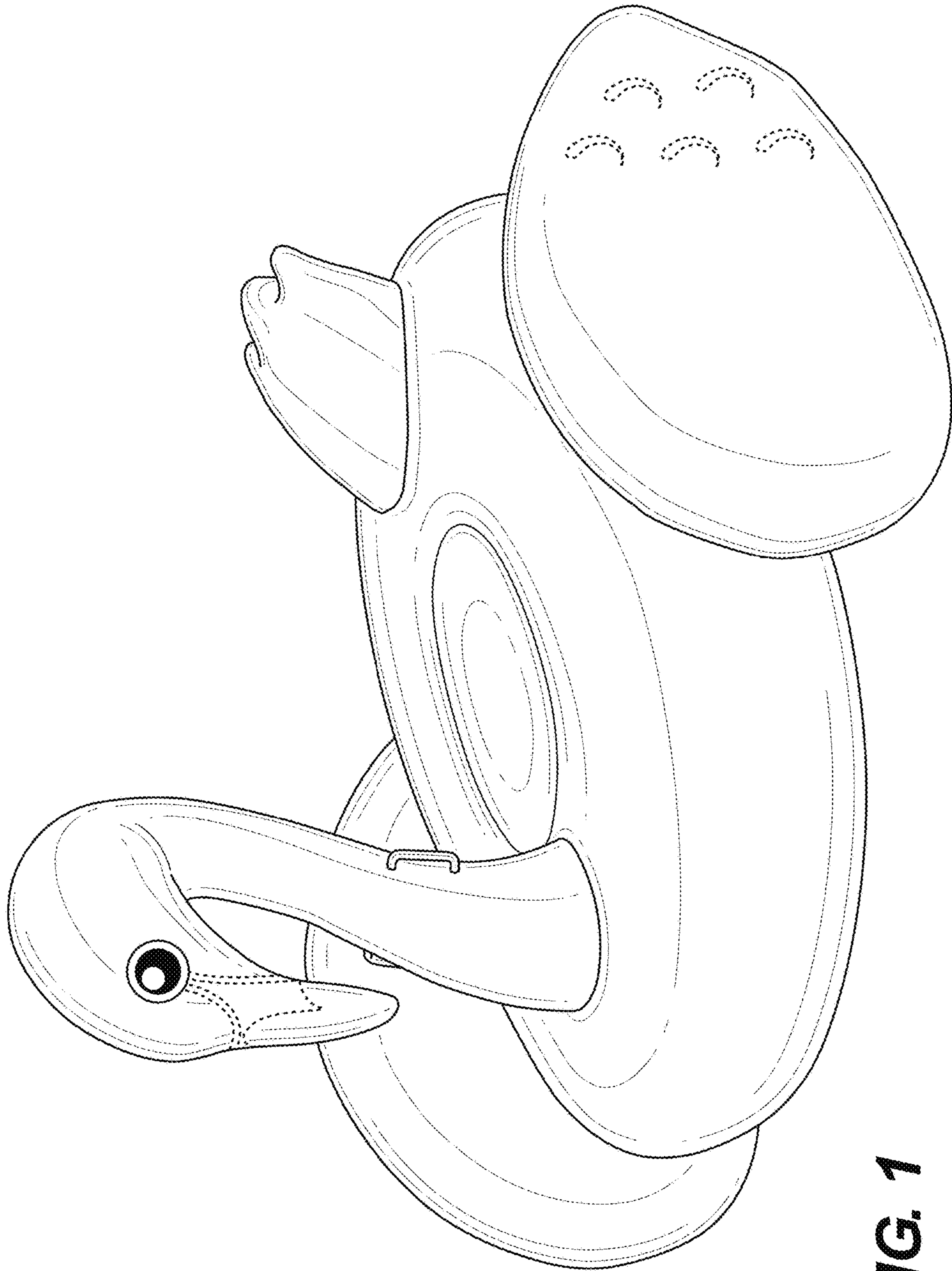
U.S. PATENT DOCUMENTS

D496,410 S \* 9/2004 Weiser ..... D11/162  
D513,158 S \* 12/2005 Purkiss ..... D8/38  
D564,397 S \* 3/2008 Sartin ..... D11/158  
D741,218 S \* 10/2015 Tao ..... D11/158  
D759,182 S \* 6/2016 Wampold ..... D21/808  
2004/0072132 A1\* 4/2004 Burtness ..... G09B 23/02  
434/188

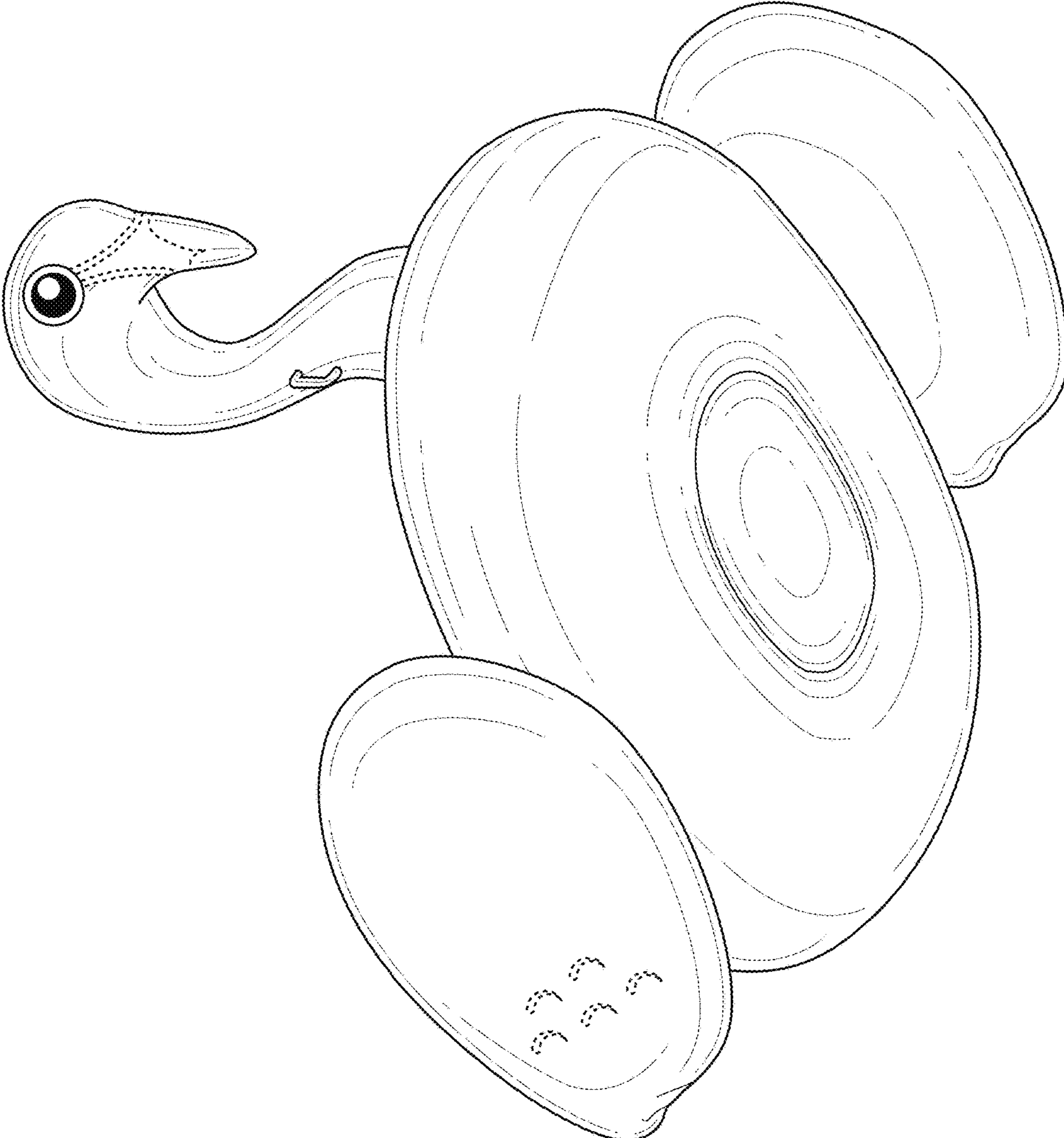
OTHER PUBLICATIONS

“Giant inflatable unicorn/swan/flamingo pool float,” [online],  
posted Aug. 4, 2016, retrieved Nov. 15, 2016, retrieved from  
<<http://www.ebay.com/itm/Giant-Inflatable-Unicorn-Swan-Flamingo-Pool-Float-Water-Float-Adults-Children-/262531369673>>.\*

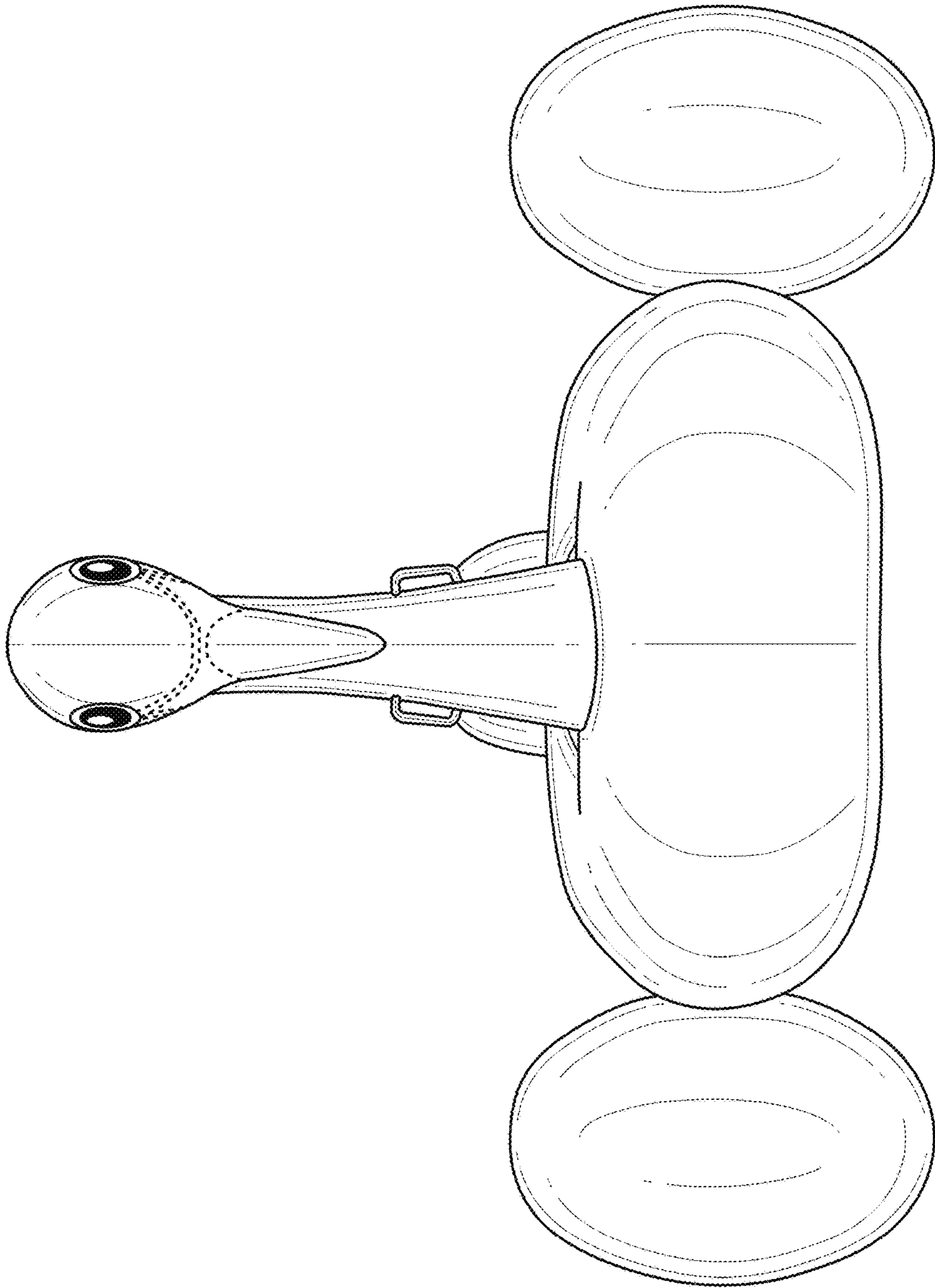
\* cited by examiner



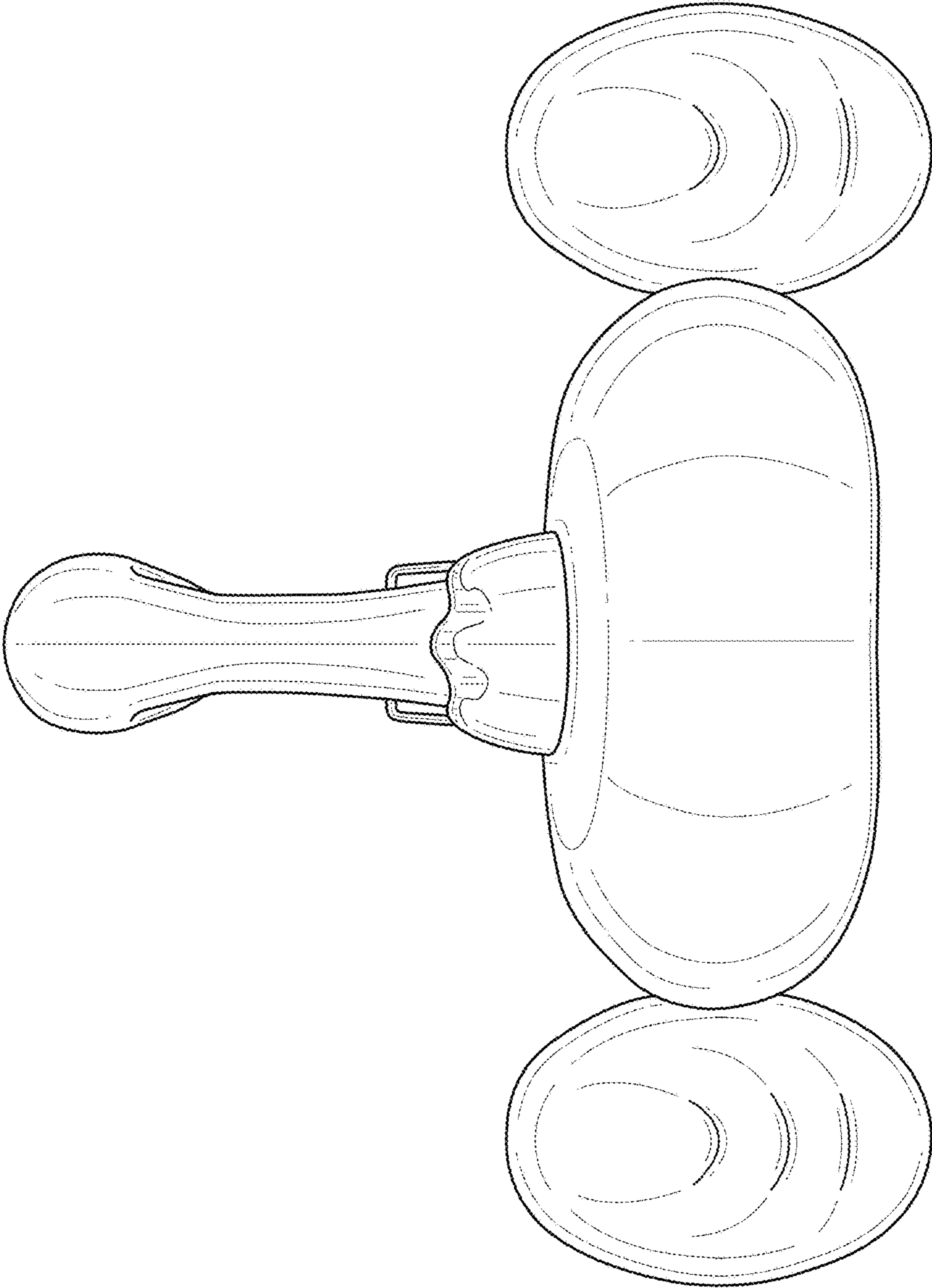
**FIG. 1**



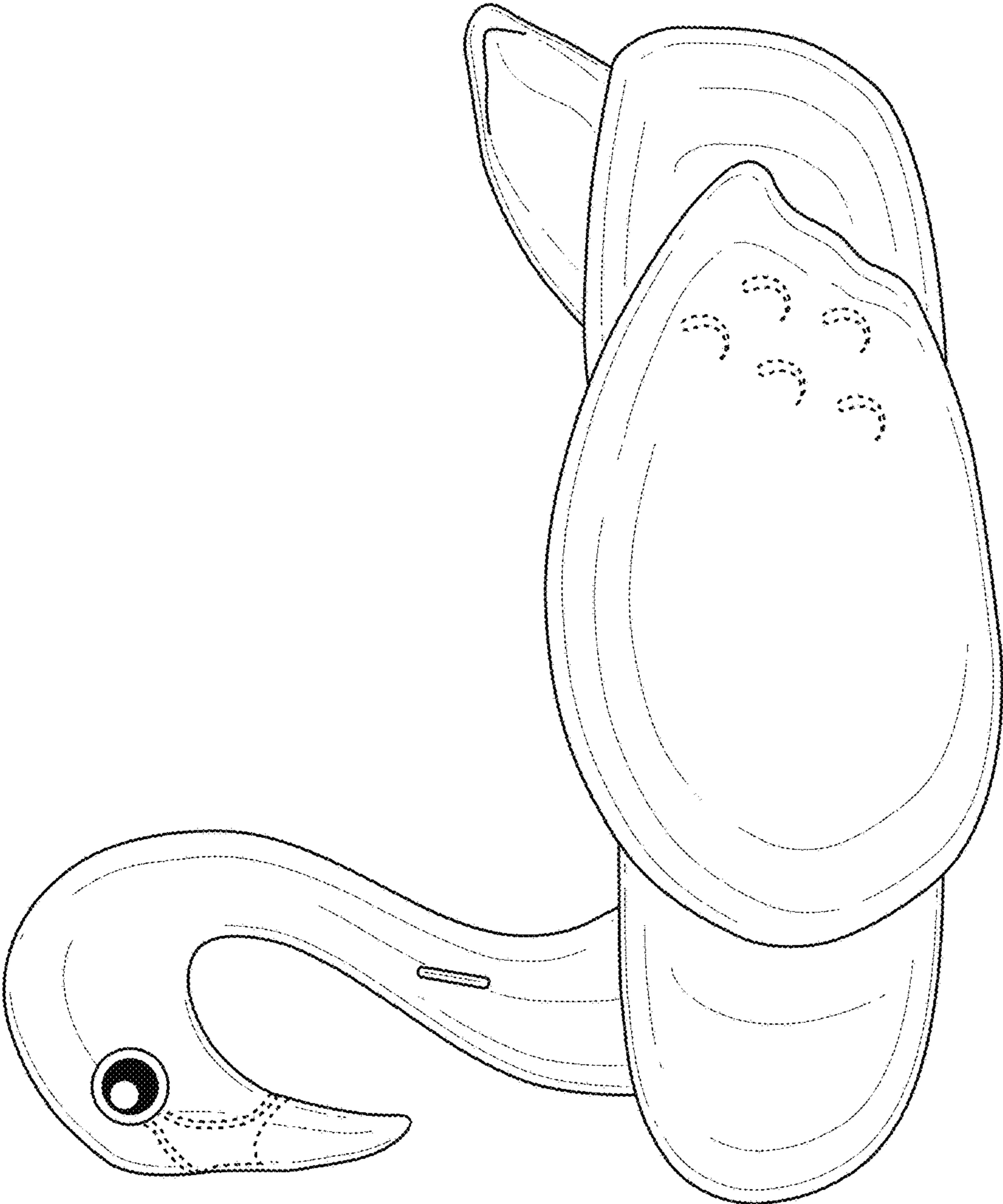
**FIG. 2**



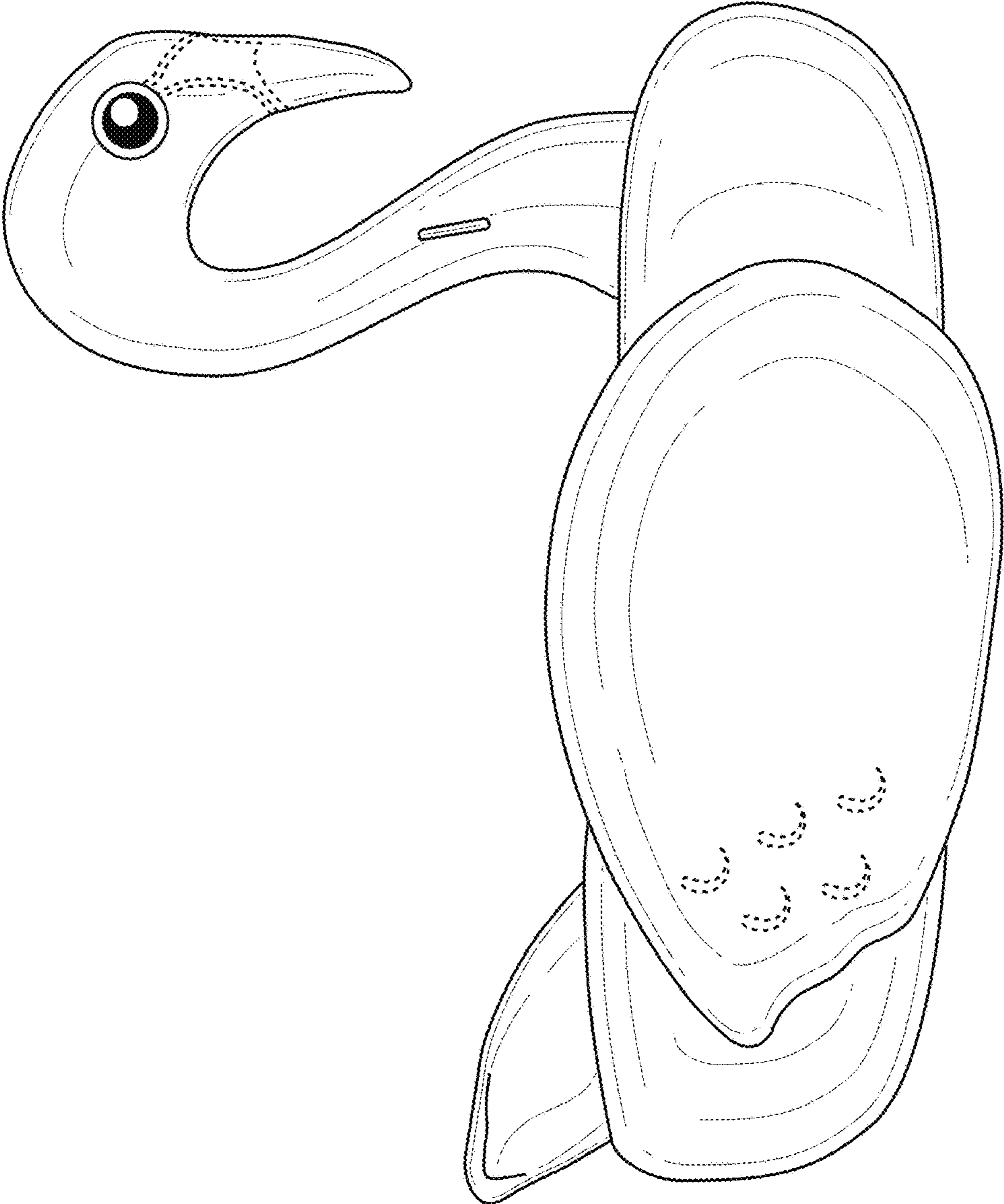
**FIG. 3**



**FIG. 4**

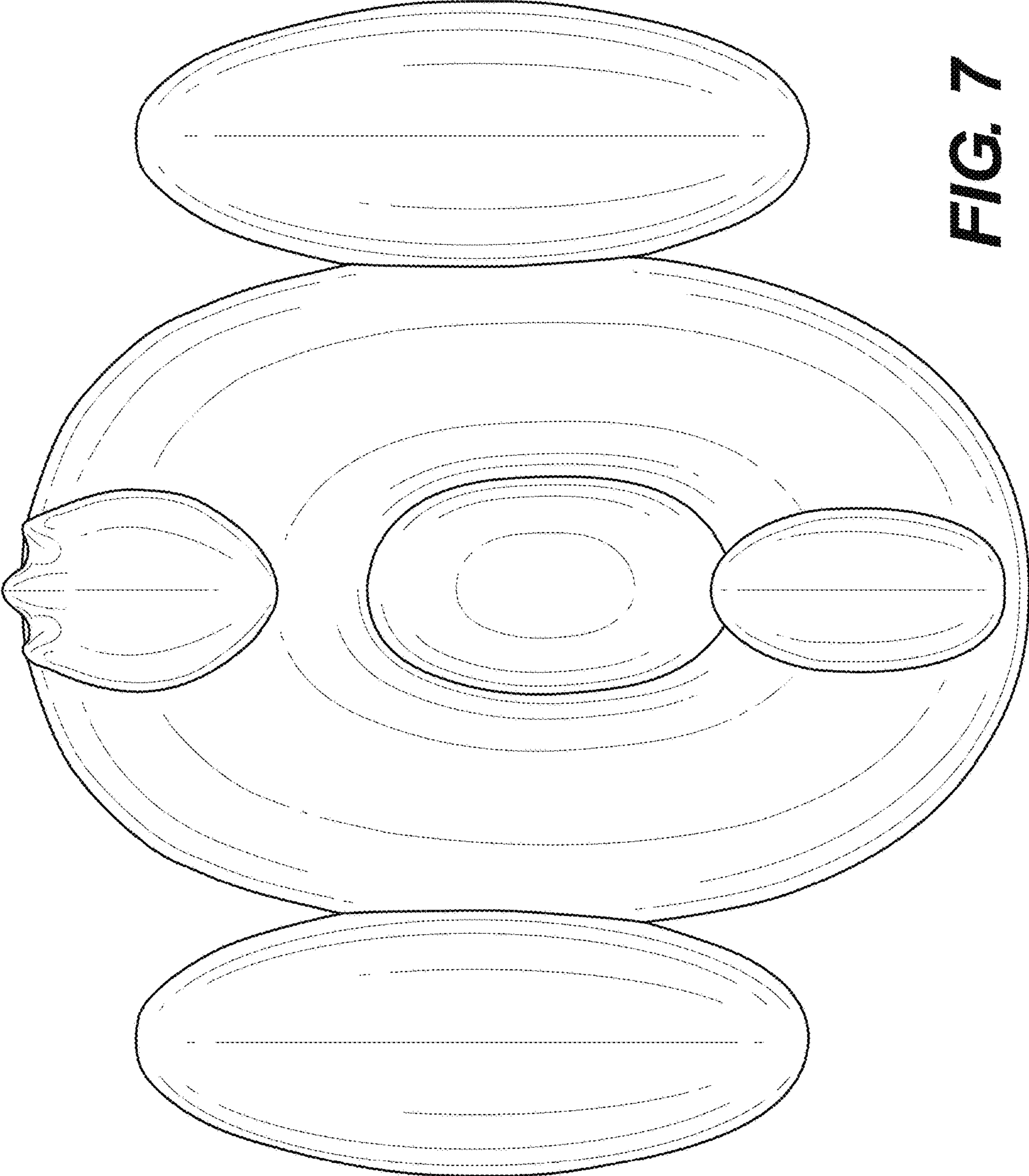


**FIG. 5**

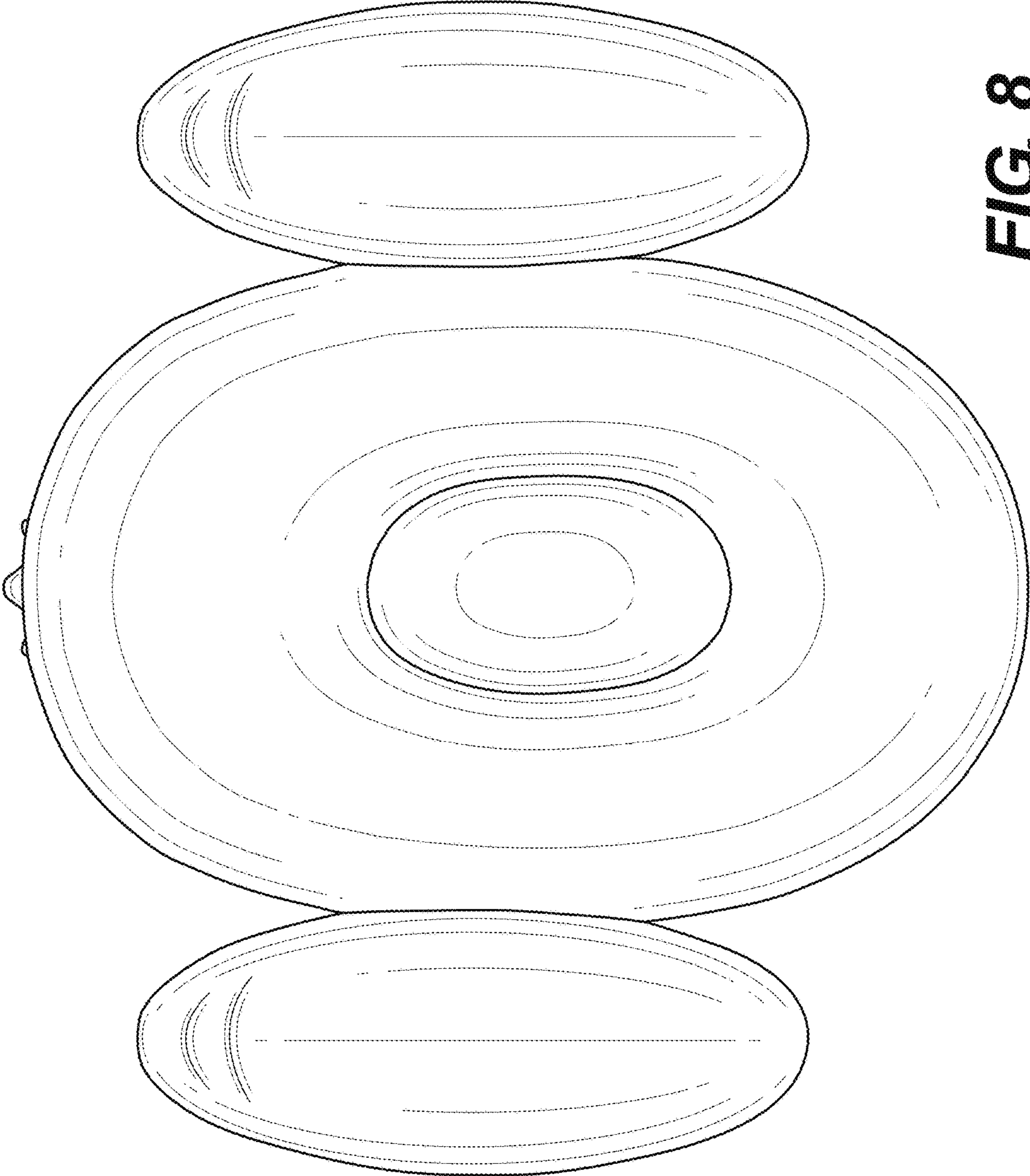


**FIG. 6**





**FIG. 7**



**FIG. 8**