



US00D785118S

(12) **United States Design Patent**  
**Castillo**

(10) **Patent No.:** **US D785,118 S**

(45) **Date of Patent:** **\*\* Apr. 25, 2017**

- (54) **BUOYANCY WATER SPORT SHIRT**
- (71) Applicant: **James Anzai Castillo**, Honolulu, HI (US)
- (72) Inventor: **James Anzai Castillo**, Honolulu, HI (US)
- (\*\*) Term: **15 Years**
- (21) Appl. No.: **29/534,036**
- (22) Filed: **Jul. 24, 2015**
- (51) **LOC (10) Cl.** ..... **29-02**
- (52) **U.S. Cl.**  
USPC ..... **D21/804**
- (58) **Field of Classification Search**  
USPC ..... D21/801, 803, 805, 809, 802, 712, 788;  
D6/596, 601, 604-605, 616, 621;  
D2/743, 750, 761, 829; D3/215-216  
CPC .. B63B 35/76; B63B 7/00; B63B 7/06; B63B  
7/08; B63B 114/253; B63B  
114/345-114/346; B63B 441/35; B63B  
441/66; B63B 441/74; B63B  
441/40-441/42; B63B 441/129-441/132;  
B63B 472/128-472/129; B63C  
2009/0023; B63C 9/02; B63C 9/04; B63C  
9/08; B63C 2009/042; B63C 2009/046;  
B63C 9/11; B63C 9/00; B63C 9/081;  
B63C 9/21; B63C 11/00; A62B 1/00;  
A62B 1/02; A62B 31/12; A62B 35/00;  
A62B 35/10; A61G 1/00; A41D 7/001;  
A41D 13/012; A41D 31/00  
See application file for complete search history.

(56) **References Cited**

**U.S. PATENT DOCUMENTS**

- 2,905,954 A \* 9/1959 Lanciano, Jr. .... B63C 9/081  
441/116
- D293,356 S \* 12/1987 Holden ..... D21/805
- D293,618 S \* 1/1988 Berenson ..... D2/829
- D293,960 S \* 2/1988 Berenson ..... D2/731
- D330,740 S \* 11/1992 Layton ..... D21/805
- D359,097 S \* 6/1995 Crandall ..... D2/731

- D363,593 S \* 10/1995 Murray ..... D2/828
- 5,459,874 A \* 10/1995 Meredith ..... A41D 7/001  
112/475.09
- D368,353 S \* 4/1996 McCrudden ..... D2/717
- D424,153 S \* 5/2000 Shaffer ..... D2/731
- D441,517 S \* 5/2001 Shaffer ..... D2/717
- D456,116 S \* 4/2002 Cunningham ..... D2/828
- D488,290 S \* 4/2004 Noell ..... D2/829
- D511,238 S \* 11/2005 Herman ..... D2/733
- 7,252,625 B1 \* 8/2007 Perka ..... A41D 13/0525  
2/2.15
- D599,529 S \* 9/2009 Simpson ..... D2/829
- D655,478 S \* 3/2012 McCollum ..... D2/829
- D683,934 S \* 6/2013 Whaley ..... D2/840
- D685,157 S \* 7/2013 Lamb ..... D2/718
- D753,902 S \* 4/2016 Niles ..... D2/717
- 9,386,811 B1 \* 7/2016 Hozen ..... A41D 13/015
- 2007/0049141 A1 \* 3/2007 Staver ..... A41D 7/001  
441/115
- 2013/0239309 A1 \* 9/2013 Webb ..... A41D 13/012  
2/464
- 2015/0144122 A1 \* 5/2015 Oh ..... F24J 1/00  
126/263.09

**OTHER PUBLICATIONS**

“First check swim aid for adult boy,” [online], posted Feb. 23, 2008, retrieved Nov. 4, 2016, retrieved from <[https://www.youtube.com/watch?v=eVWXw2a\\_GGo](https://www.youtube.com/watch?v=eVWXw2a_GGo)>.\*

“Professional life jacke erwachsene live vestwith whistle schwimwweste hilfe meer seglen dejeuner schwimmen surfen,” [online], posted Jun. 17, 2016, retrieved Nov. 4, 2016, retrieved from [https://www.amazon.de/gp/product/B01GMVLETQ/ref=pd\\_sbs\\_200\\_2?ie=UTF8&pvc=1&refRID=3HMASRBO8Y3H1KN-50MXH](https://www.amazon.de/gp/product/B01GMVLETQ/ref=pd_sbs_200_2?ie=UTF8&pvc=1&refRID=3HMASRBO8Y3H1KN-50MXH).\*

\* cited by examiner

*Primary Examiner* — Karen Kearney  
*Assistant Examiner* — Debra Callahan

(74) *Attorney, Agent, or Firm* — Martin E. Hsia; Keri Ann K. S. Krzykowski

(57) **CLAIM**

The ornamental design for a buoyancy water sport shirt, as shown and described.

**DESCRIPTION**

FIG. 1 is a front, right perspective view of a first embodiment of a buoyancy water sport shirt showing my new design;

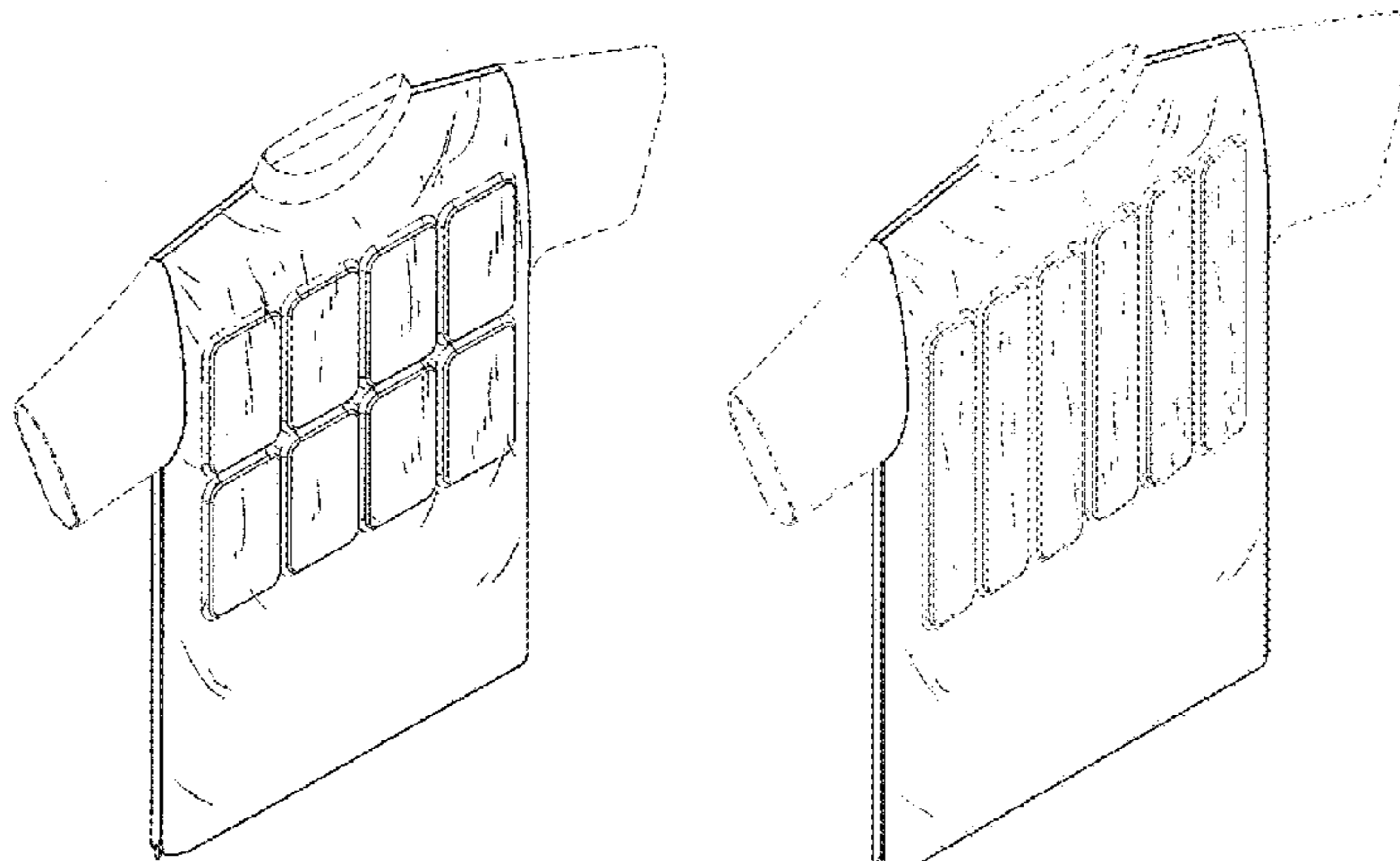






FIG. **81** is an elevational view thereof from the left;  
FIG. **82** is an elevational view thereof from the right;  
FIG. **83** is a perspective view thereof from the front right in an inside out configuration;  
FIG. **84** is a perspective view thereof from the rear left in the inside out configuration;  
FIG. **85** is an elevational view thereof from the front in the inside out configuration;  
FIG. **86** is an elevational view thereof from the rear in the inside out configuration;  
FIG. **87** is a top plan view thereof in the inside out configuration;  
FIG. **88** is a bottom plan view thereof in the inside out configuration;  
FIG. **89** is an elevational view thereof from the left in the inside out configuration; and,  
FIG. **90** is an elevational view thereof from the right in the inside out configuration.  
The broken lines in FIGS. **1-90** show environmental structure and form no part of the claimed design.

**1 Claim, 66 Drawing Sheets**

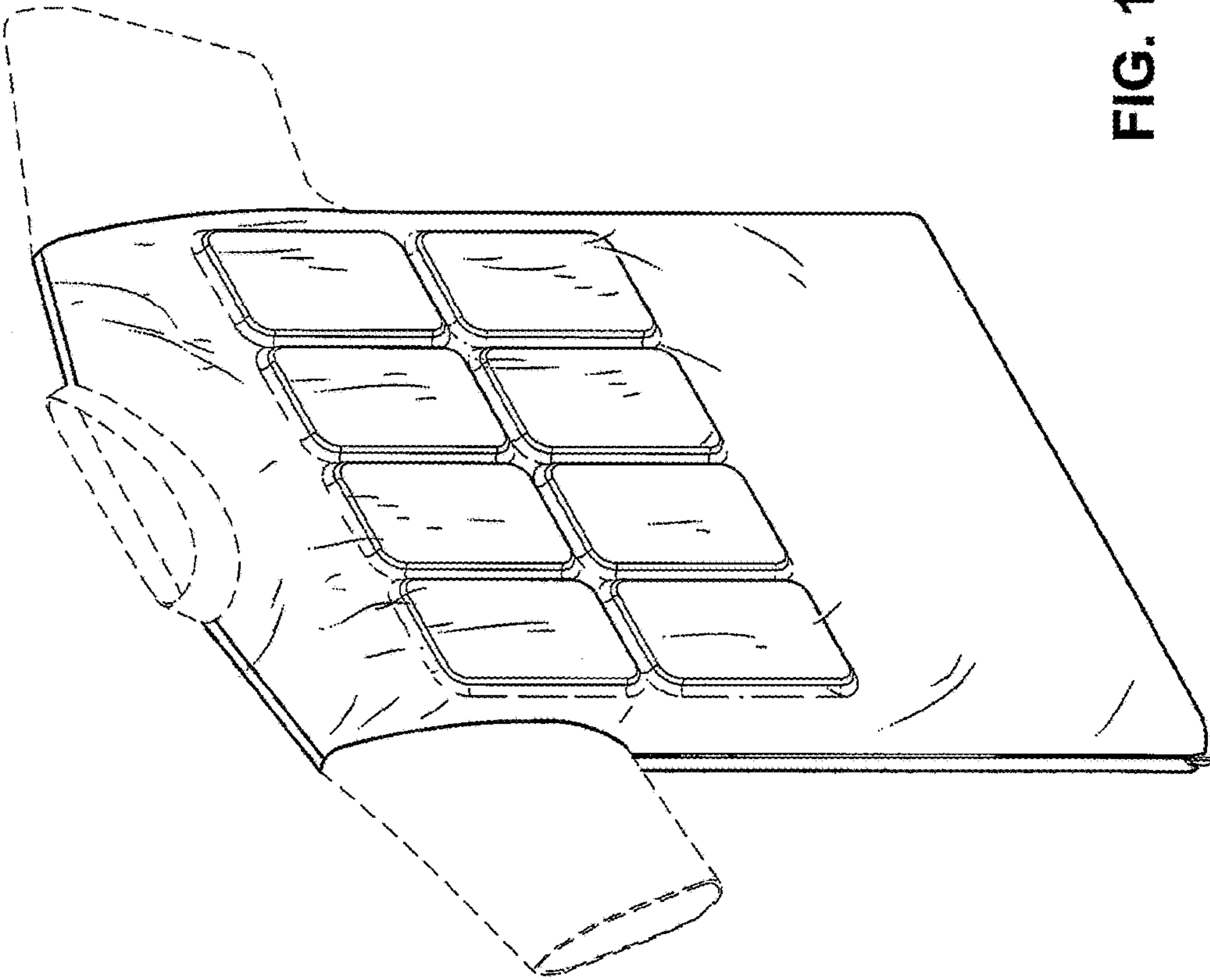


FIG. 1



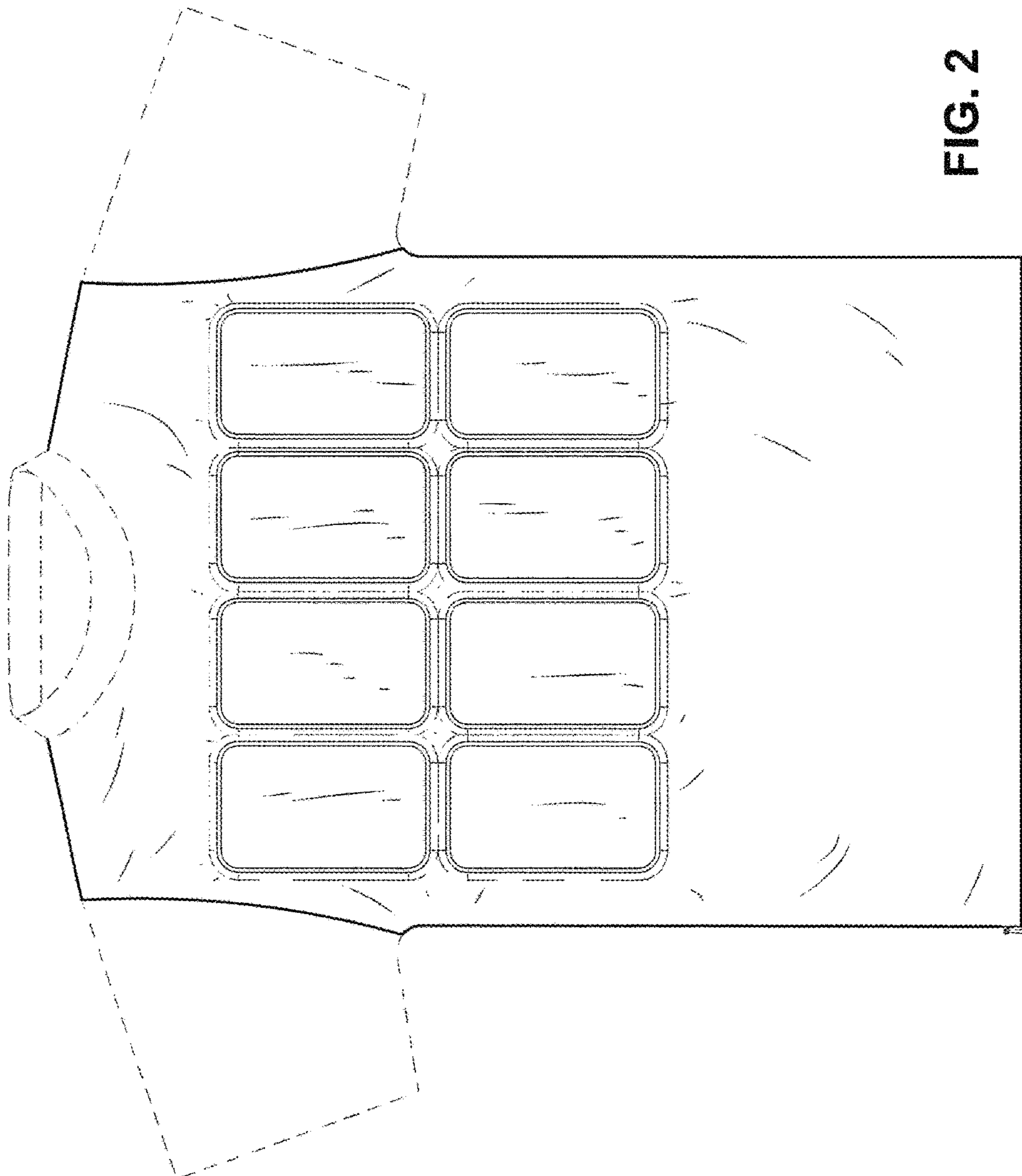


FIG. 2

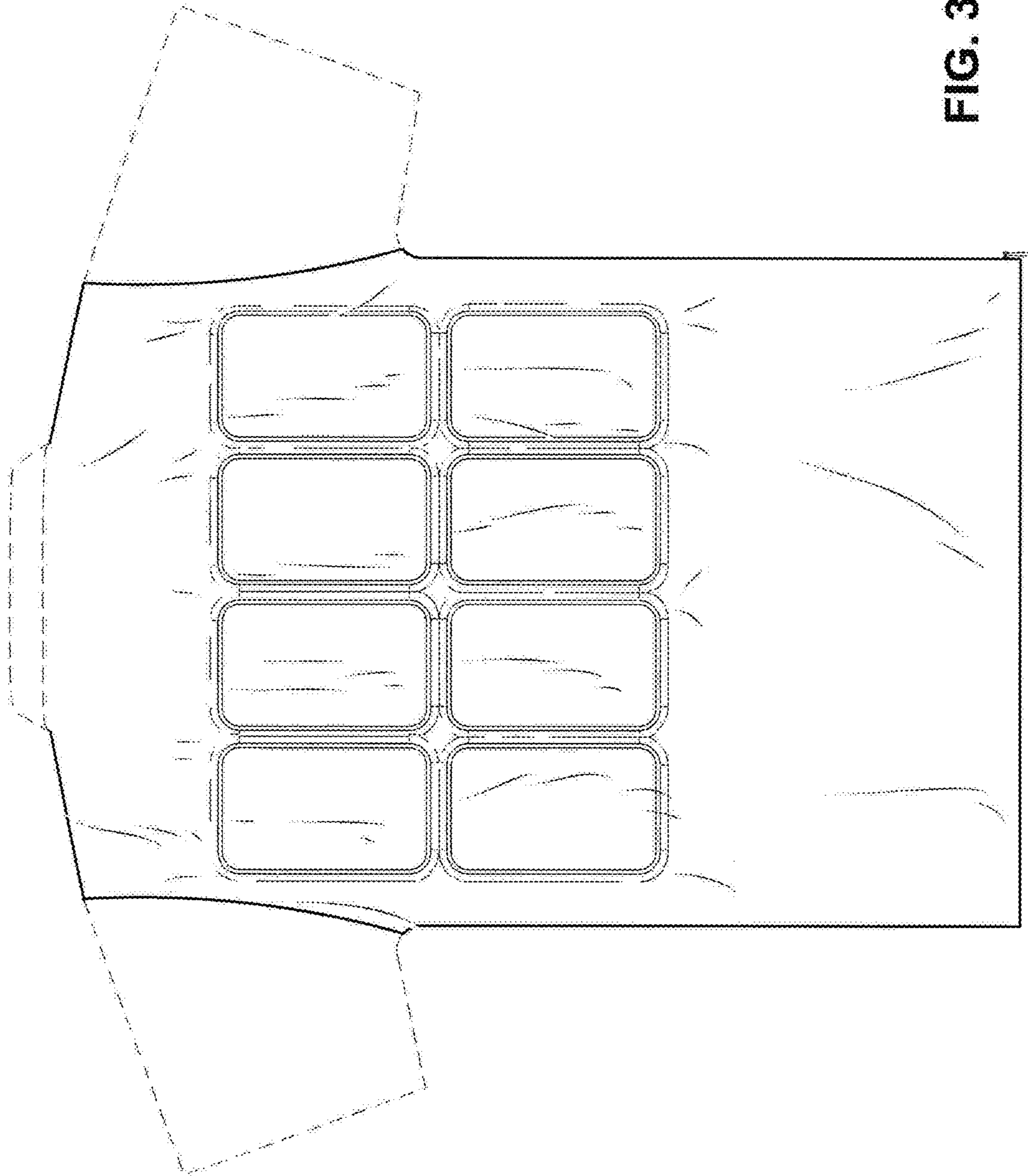


FIG. 3

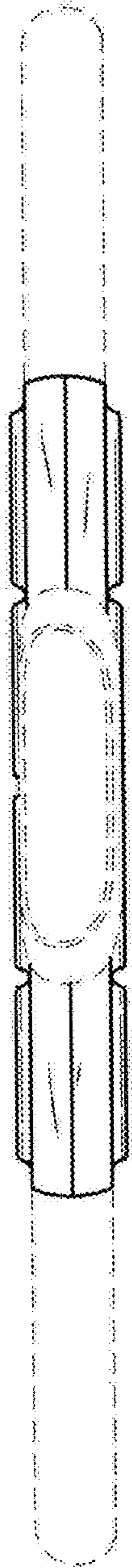


FIG. 4

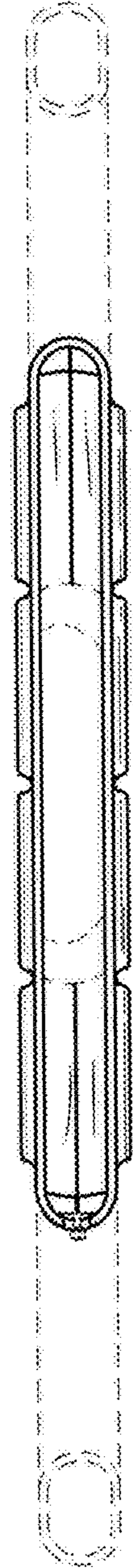


FIG. 5

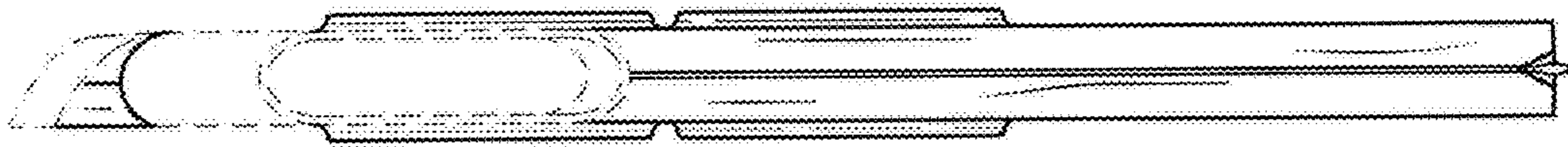


FIG. 7



FIG. 6



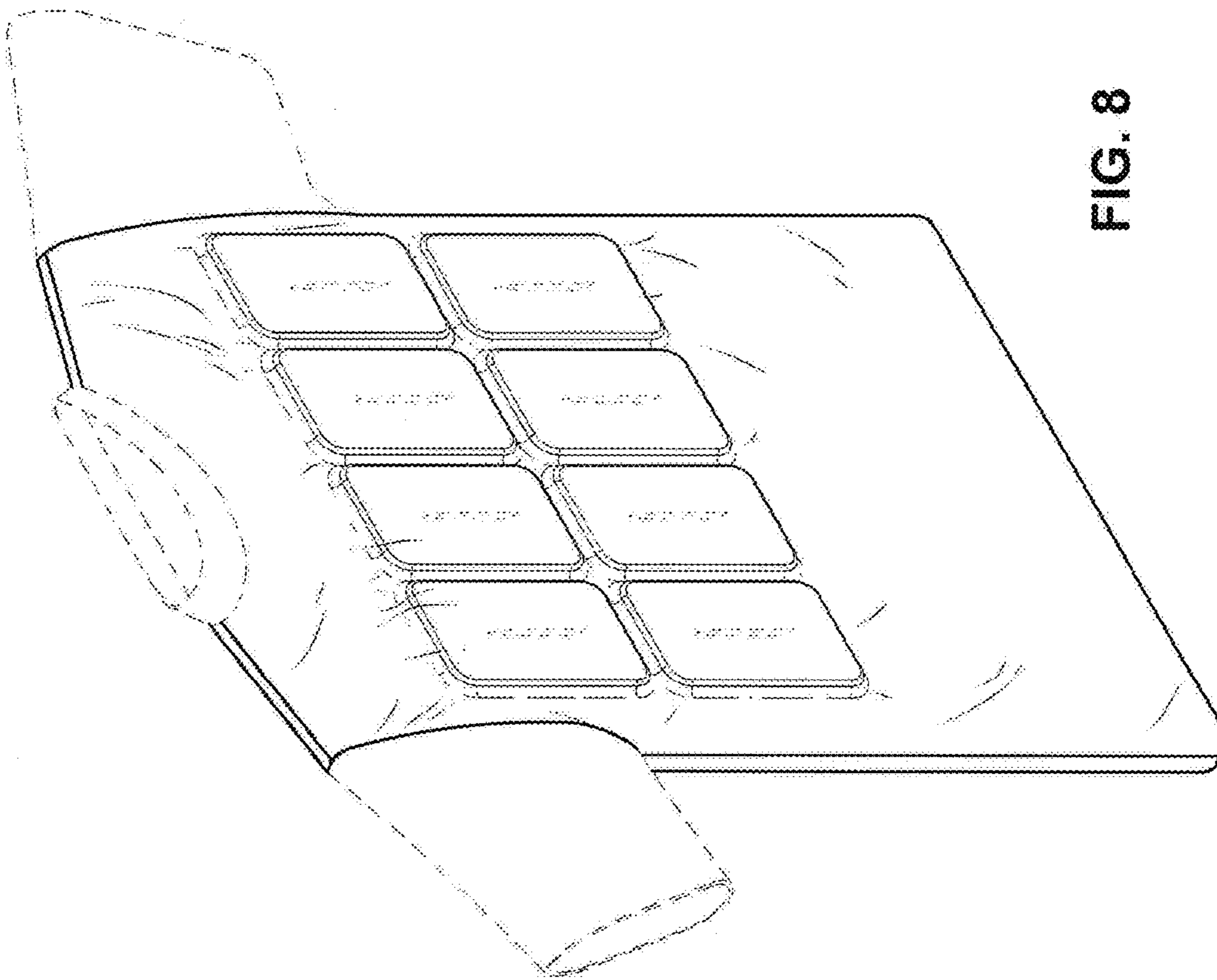


FIG. 8

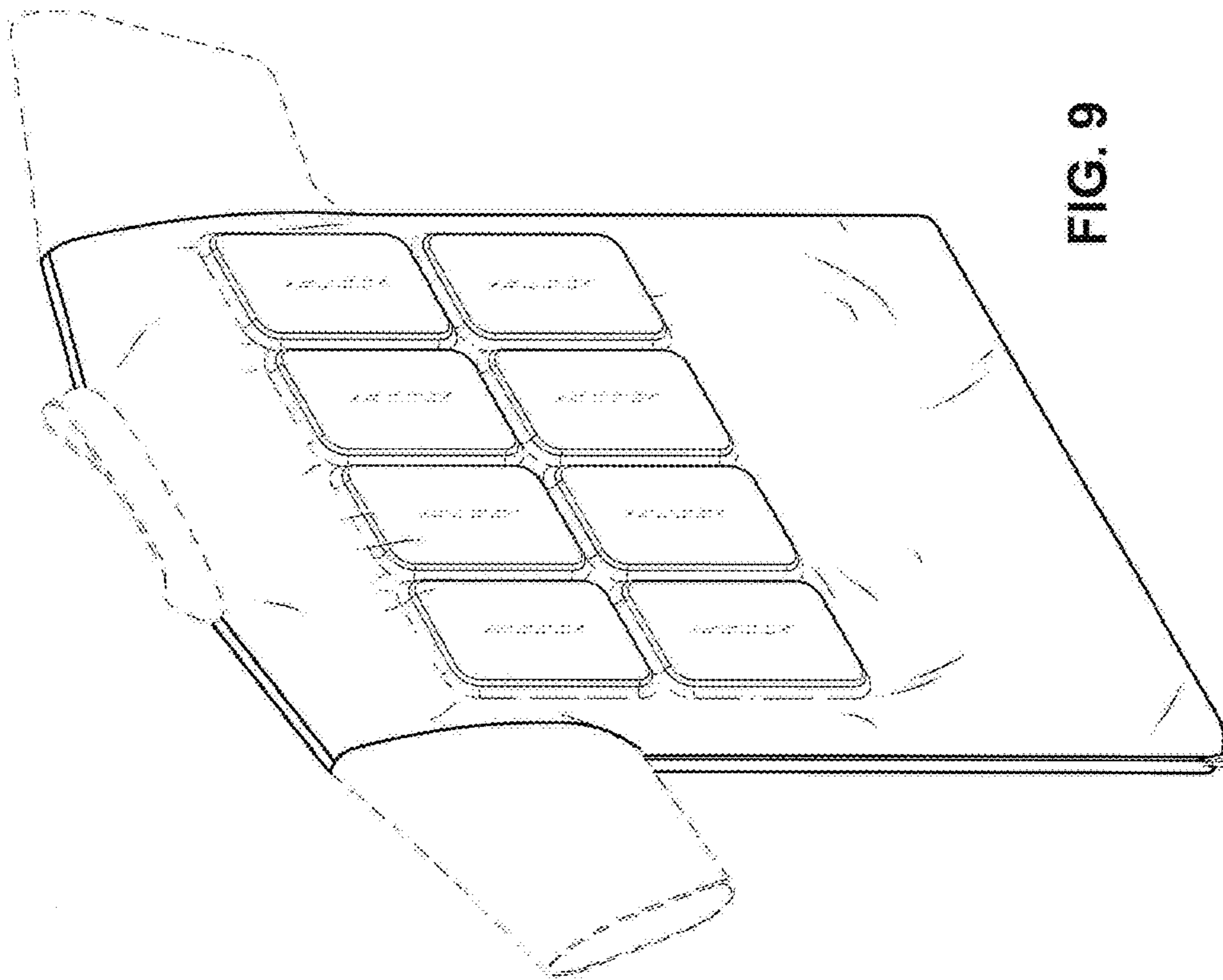


FIG. 9

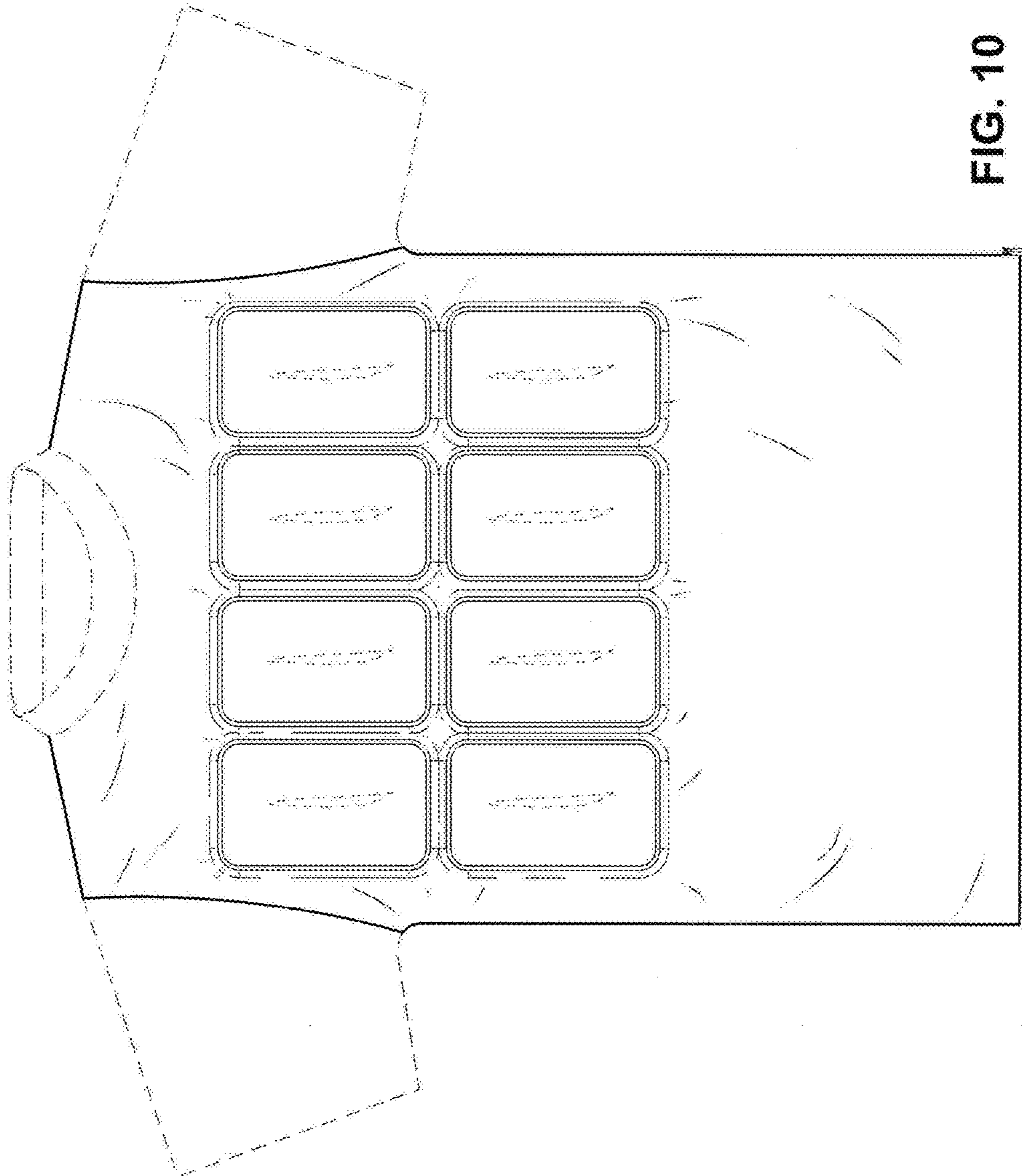


FIG. 10

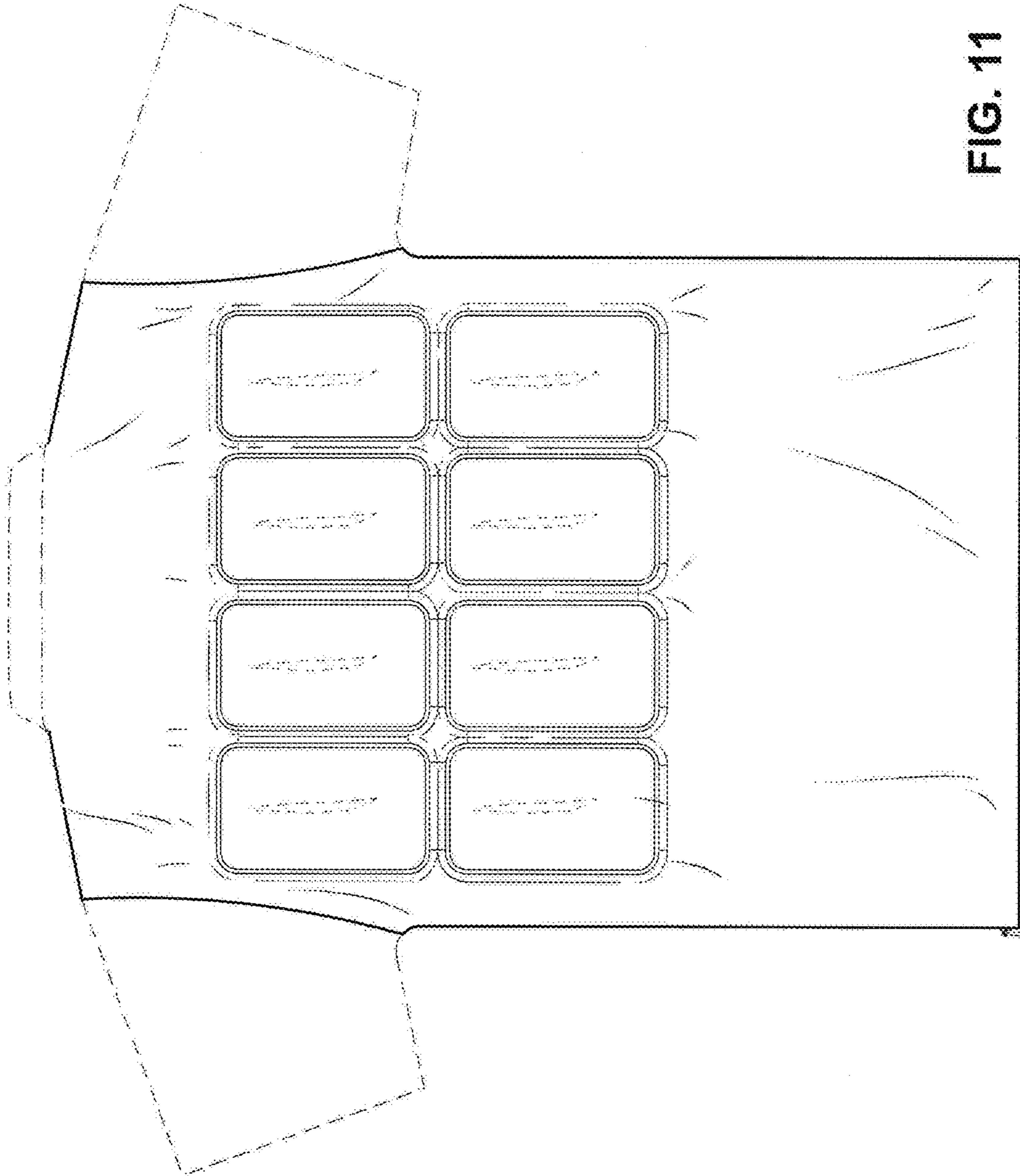


FIG. 11



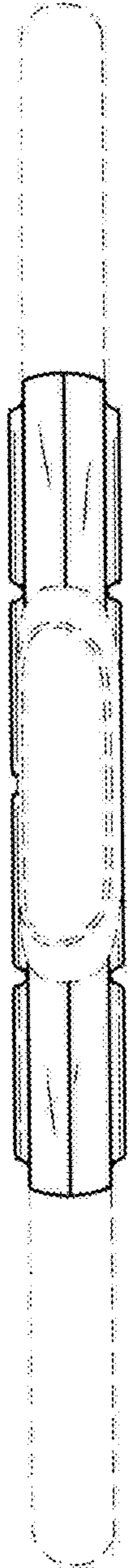


FIG. 12

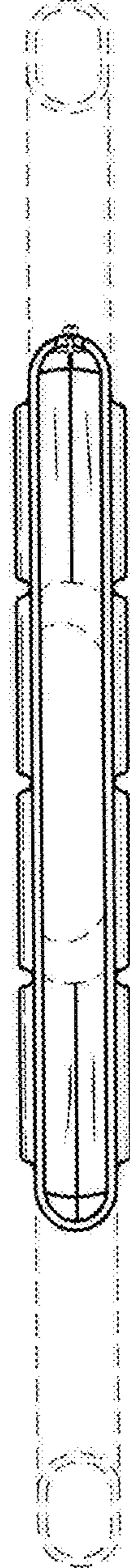


FIG. 13



FIG. 15

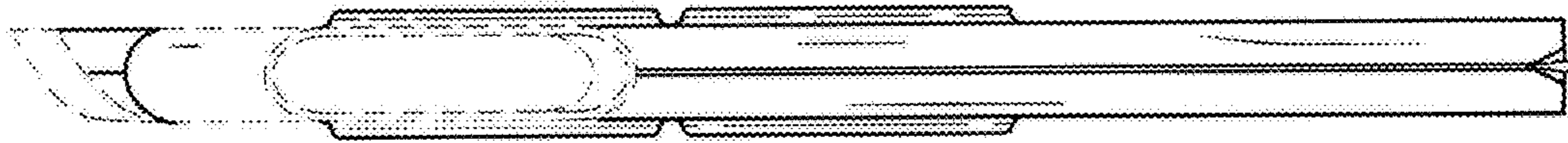


FIG. 14

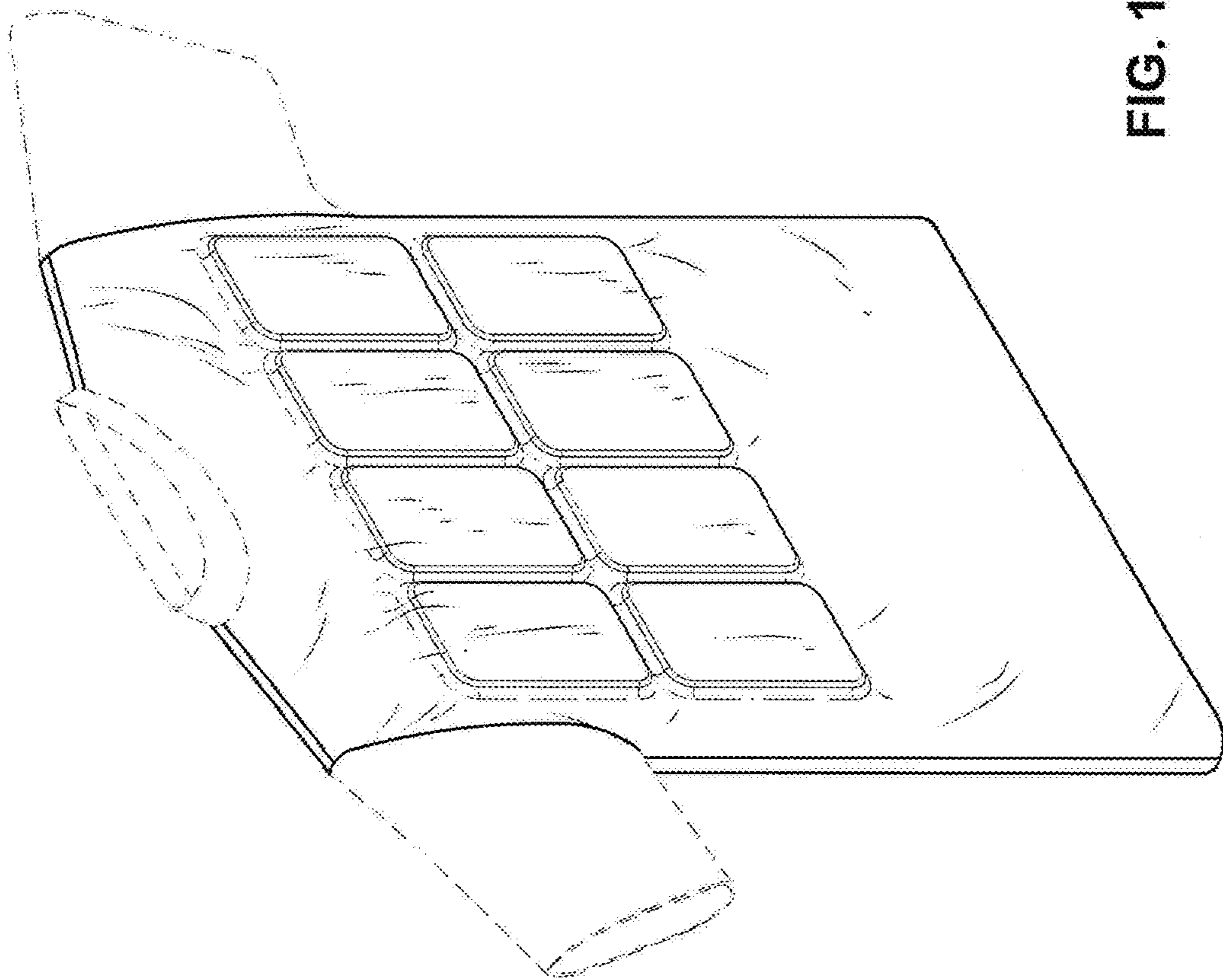


FIG. 16

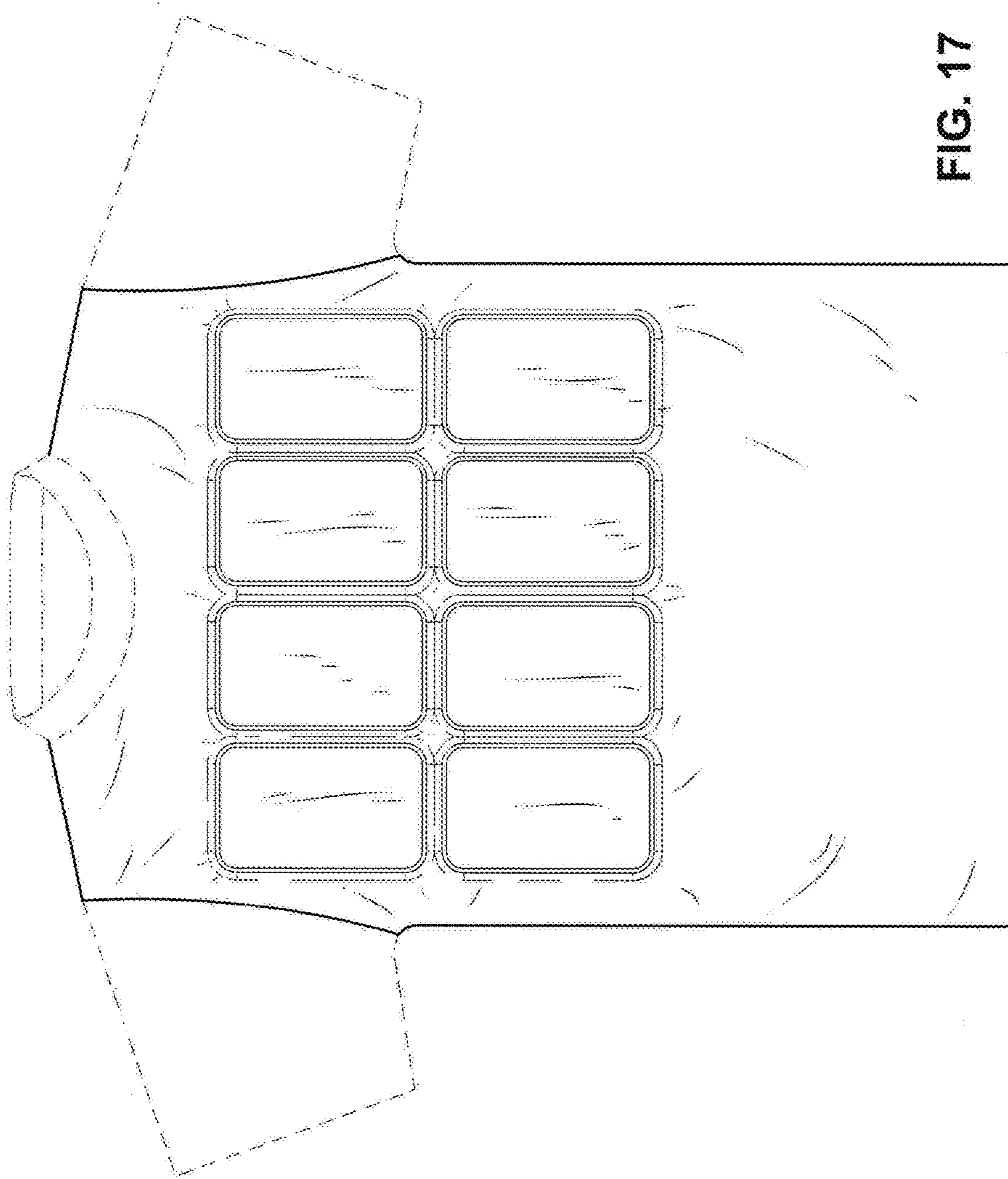


FIG. 17



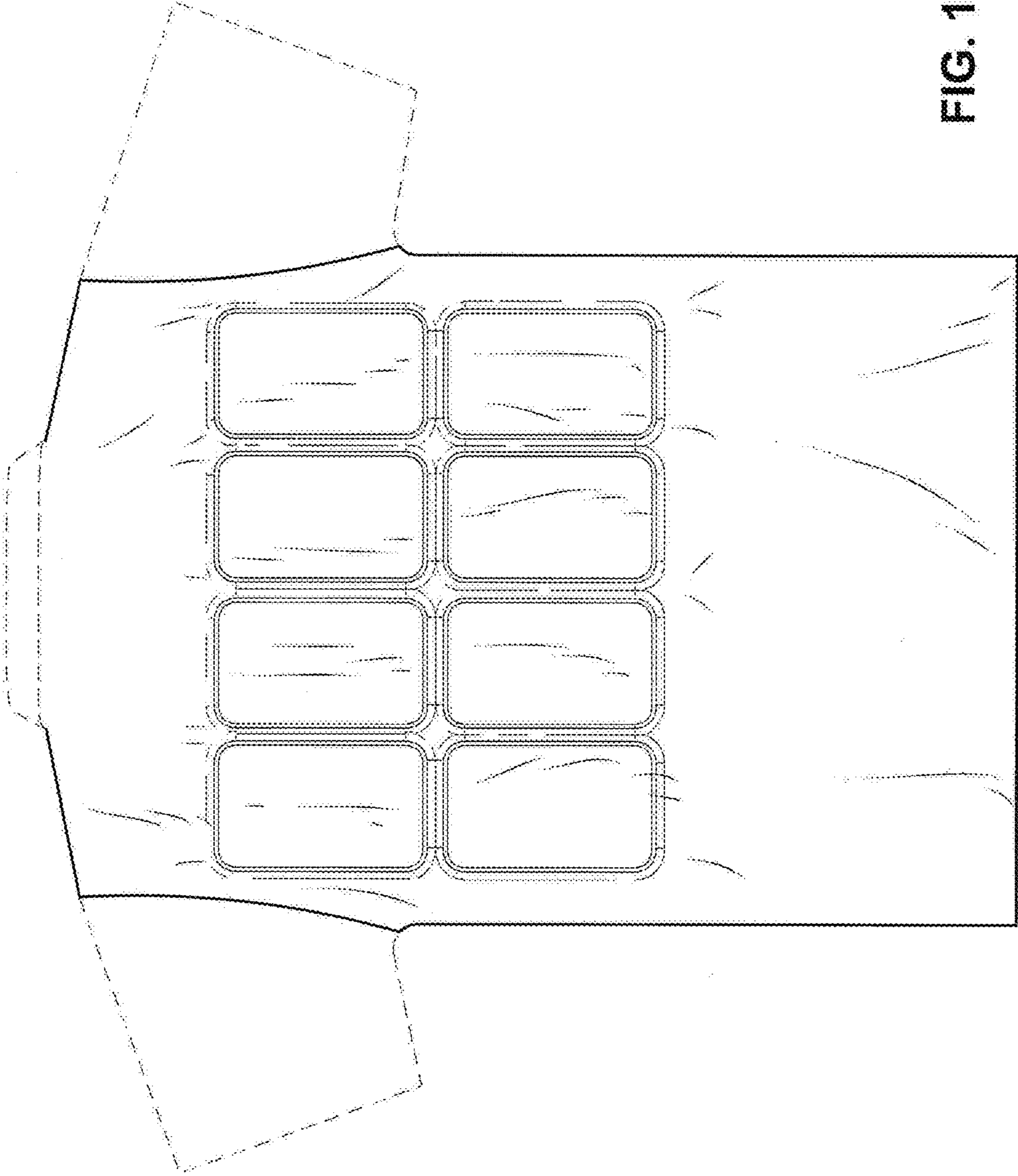


FIG. 18

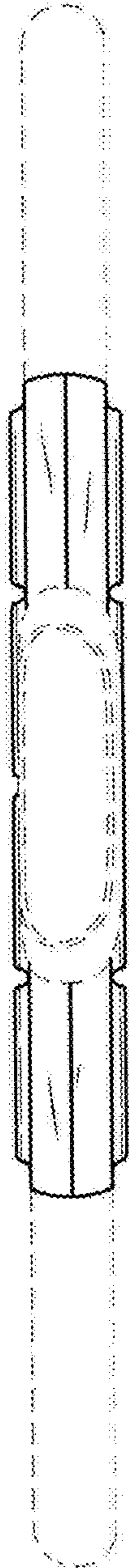


FIG. 19

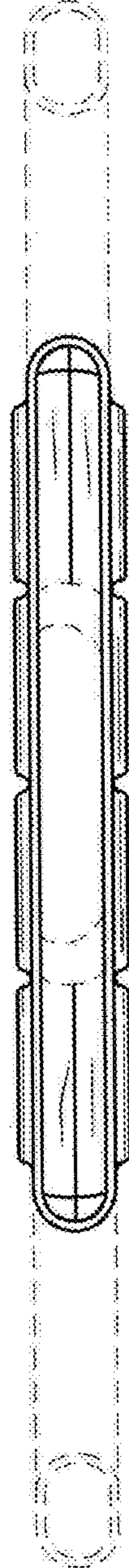


FIG. 20

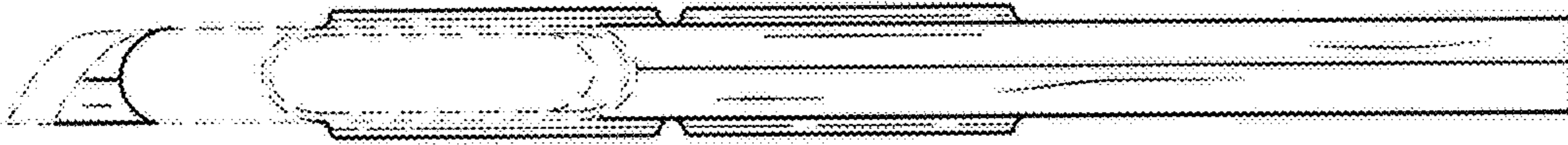


FIG. 22



FIG. 21

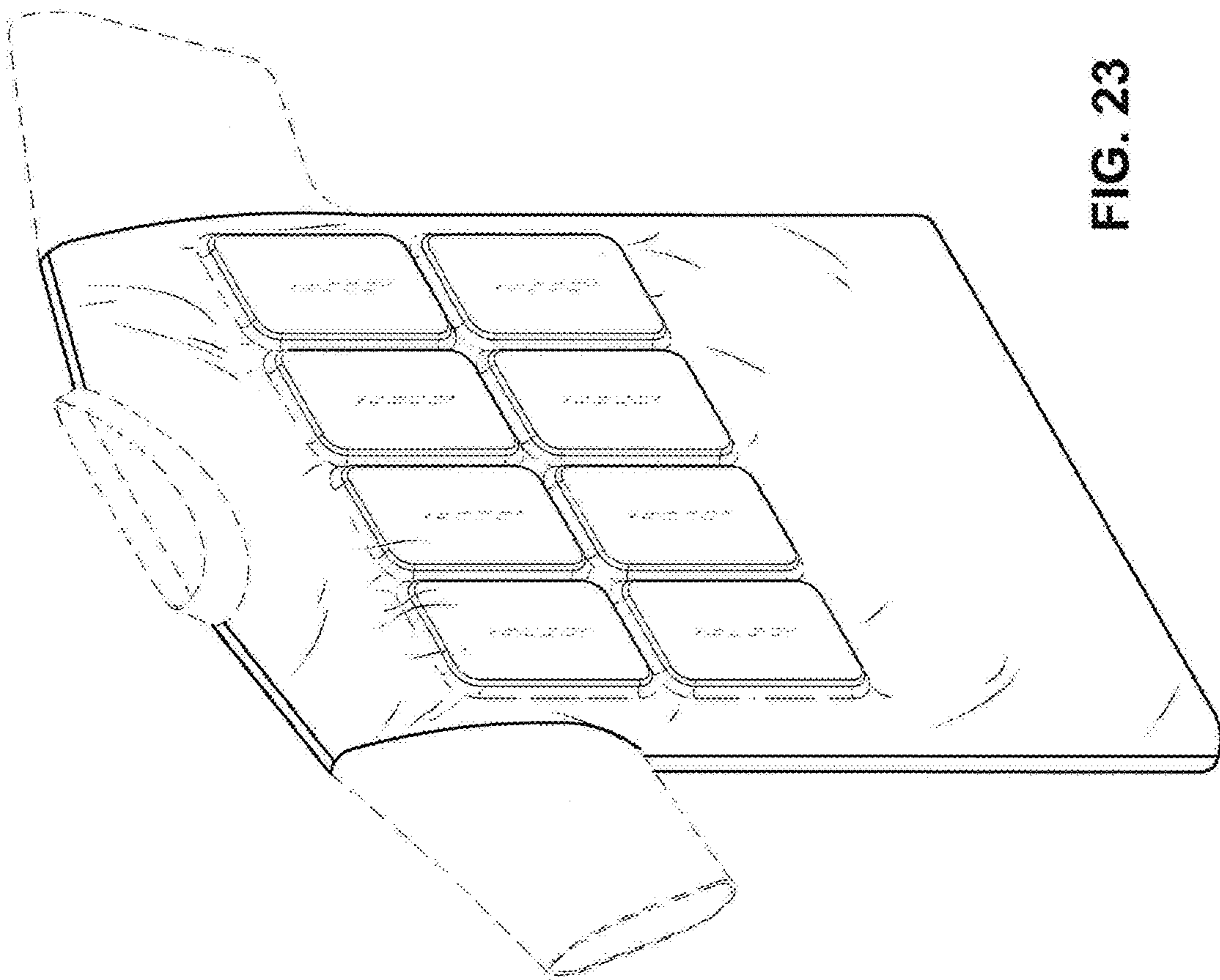


FIG. 23



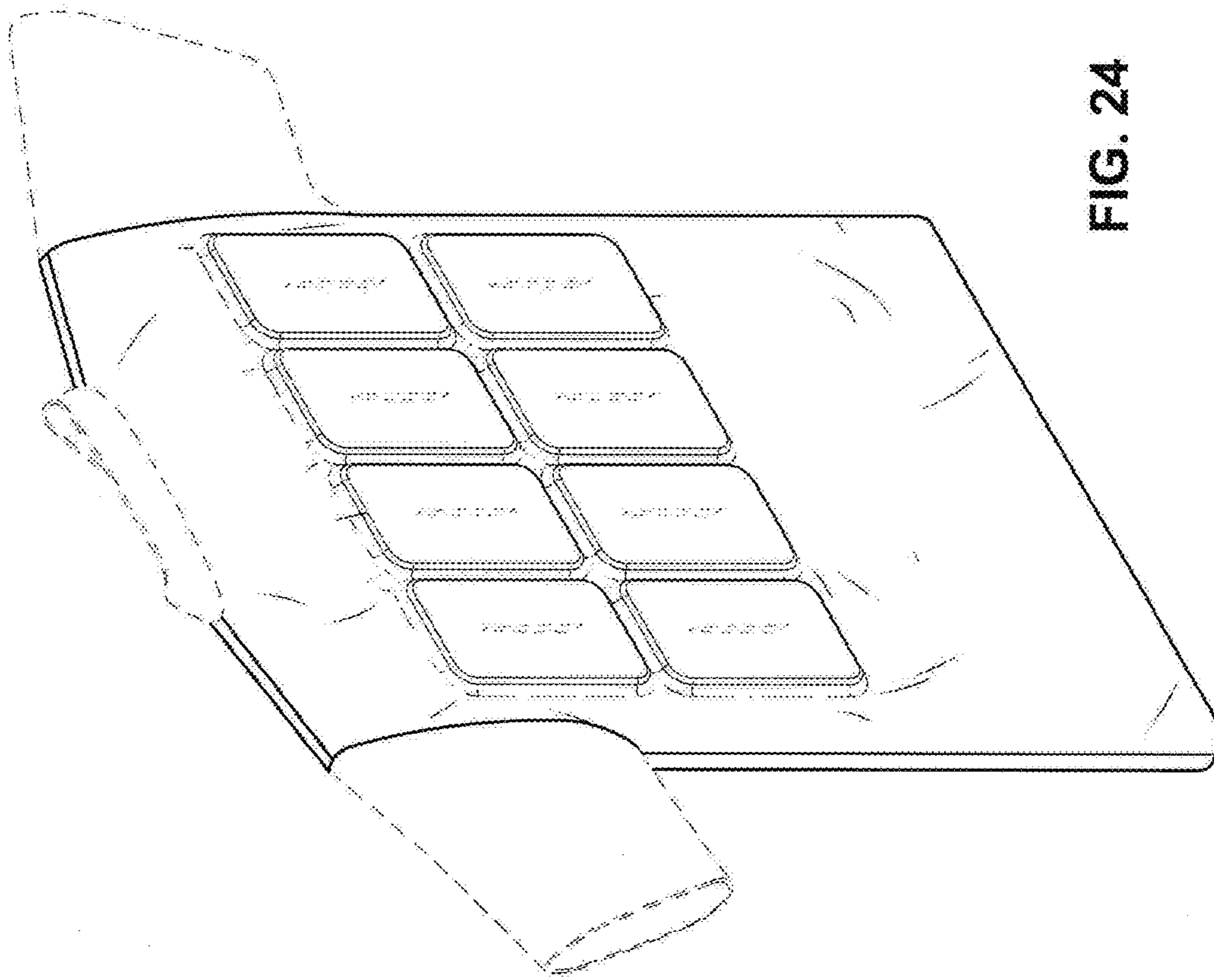


FIG. 24

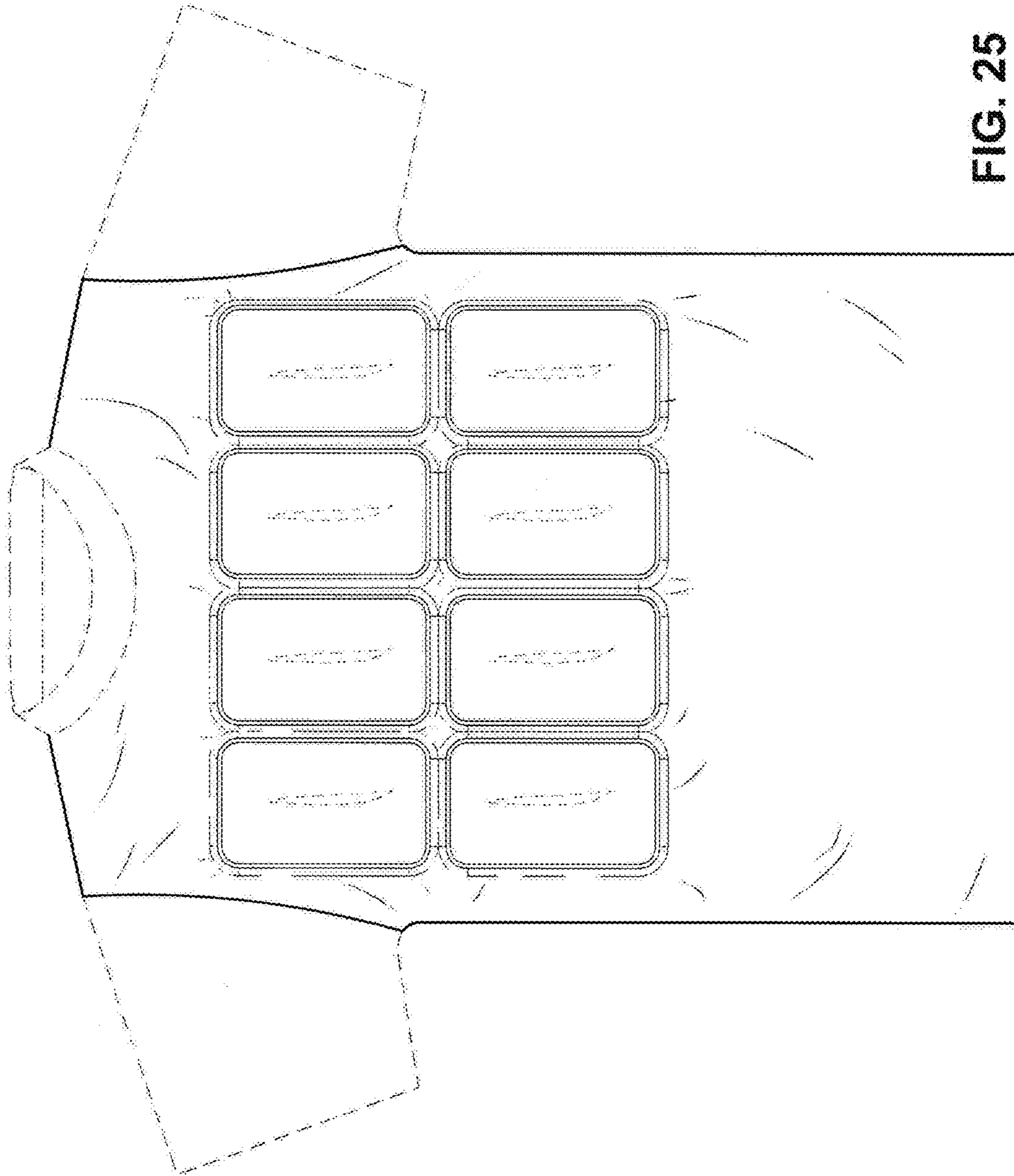


FIG. 25

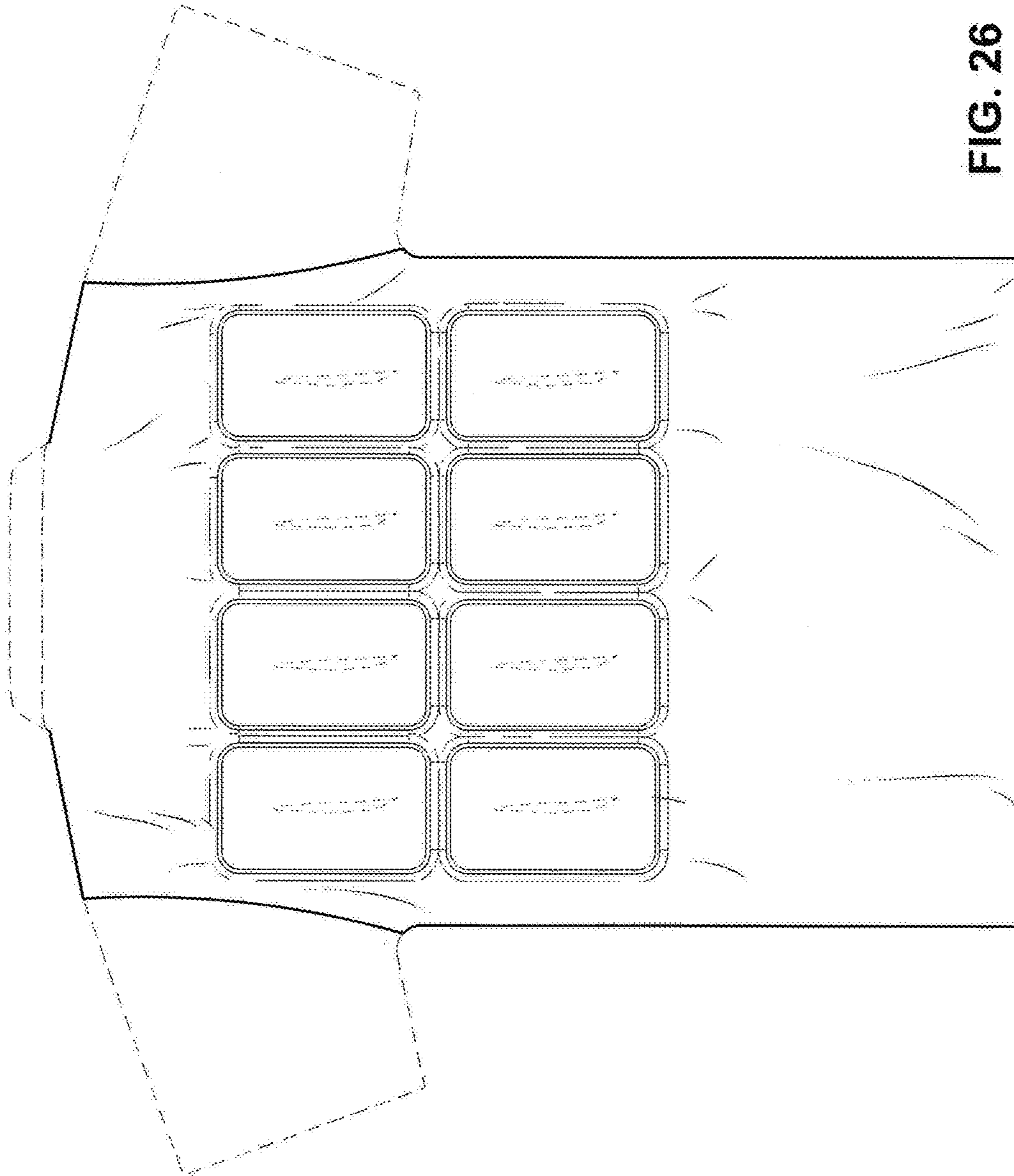


FIG. 26

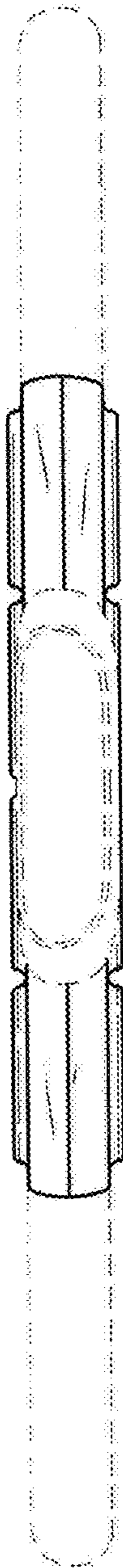


FIG. 27

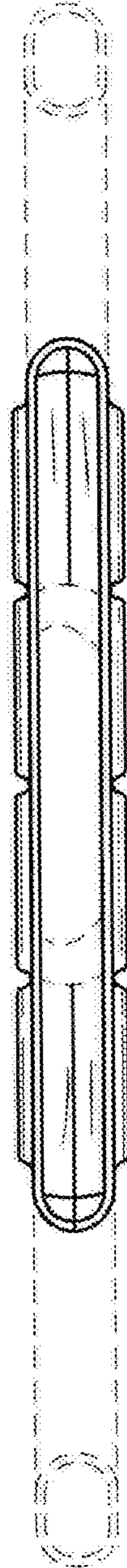


FIG. 28





FIG. 30



FIG. 29

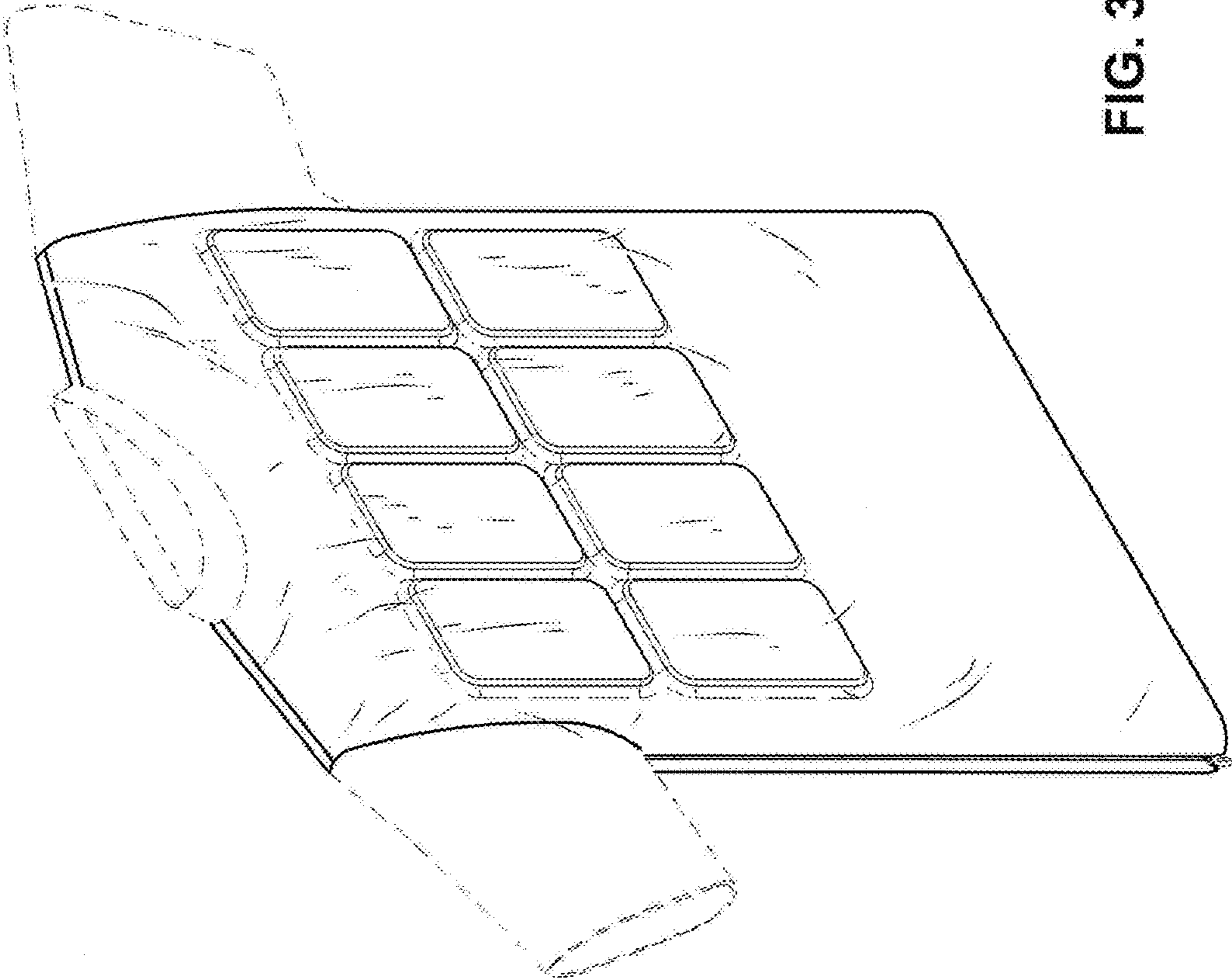


FIG. 31

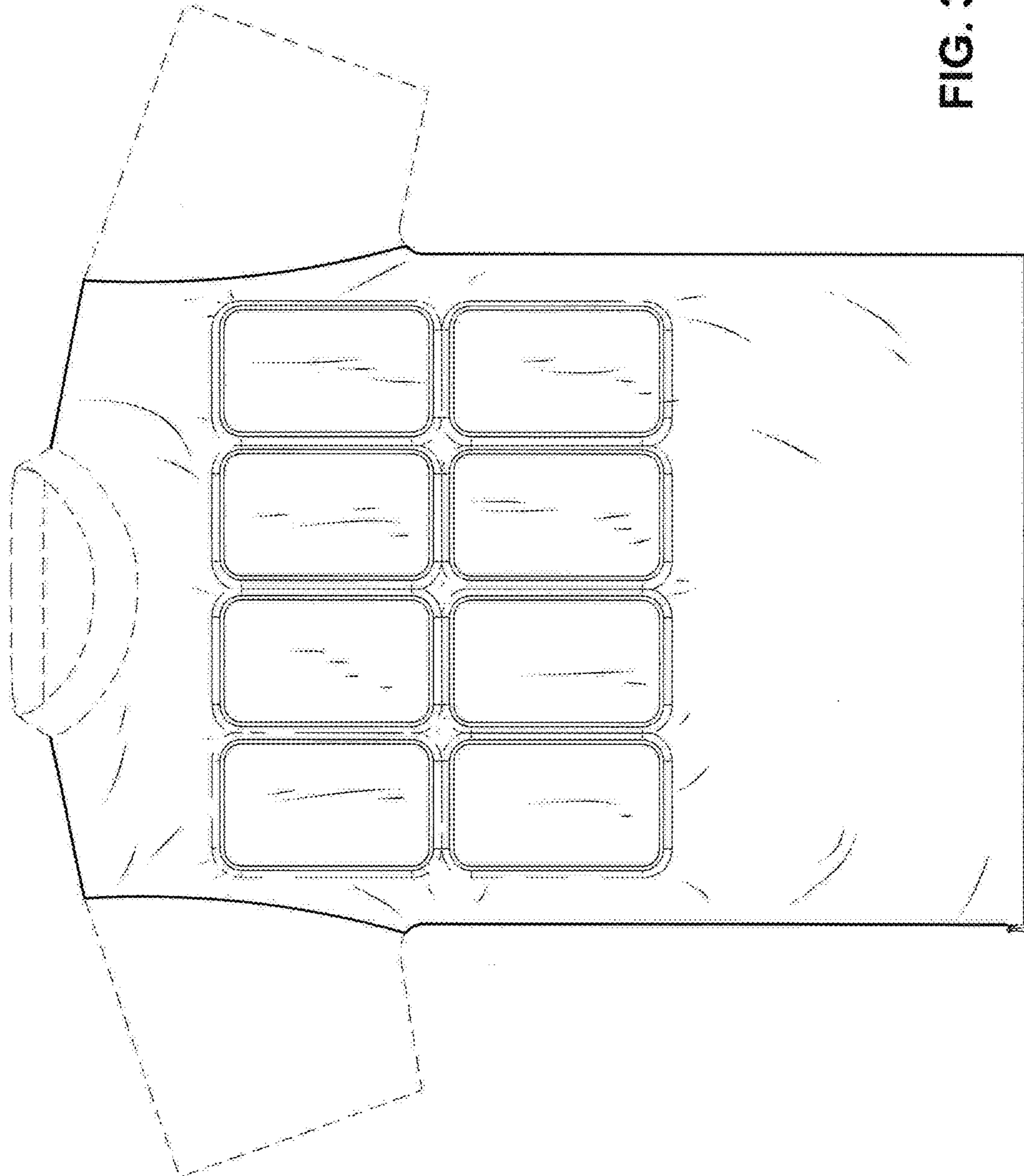


FIG. 32

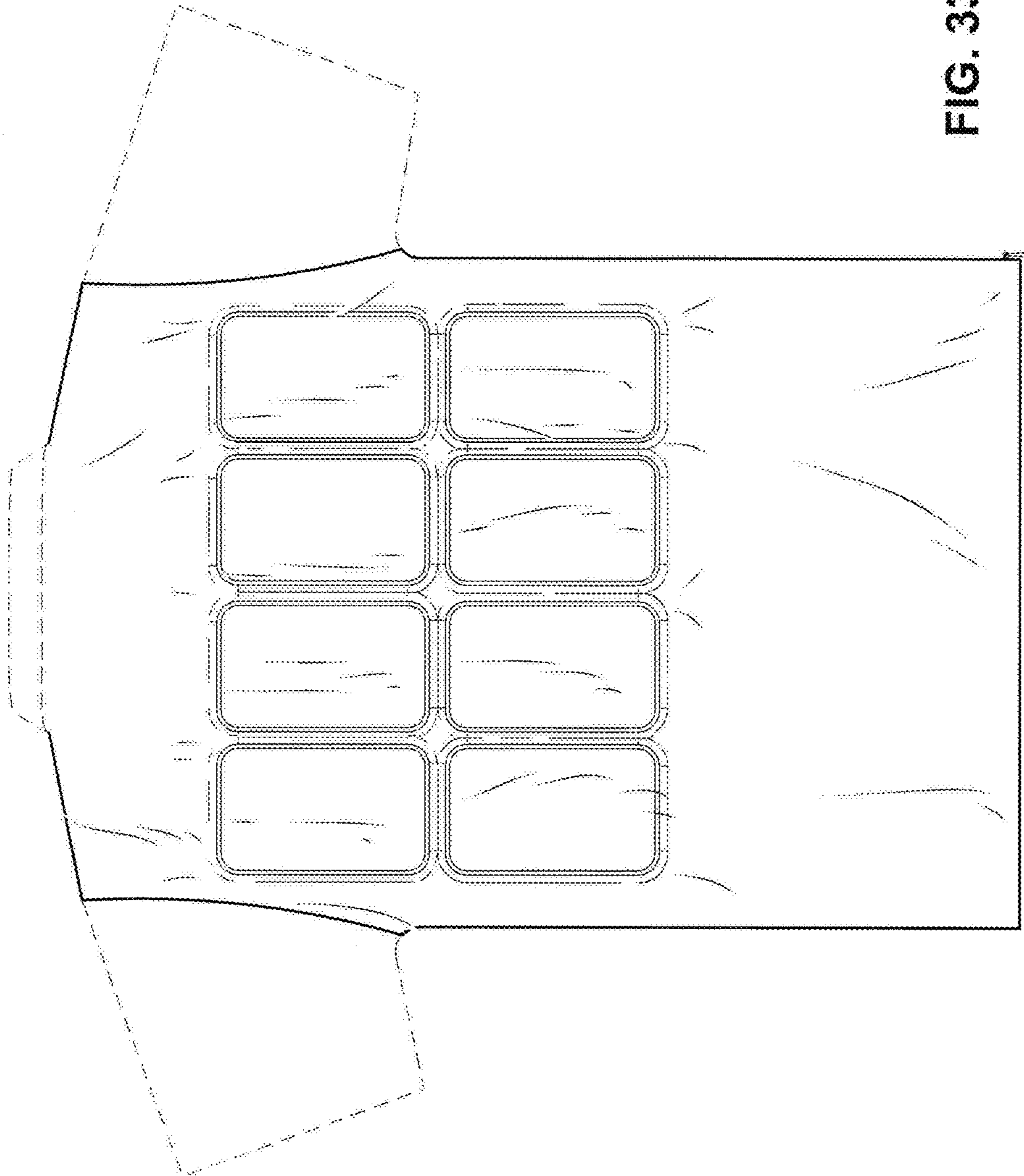


FIG. 33

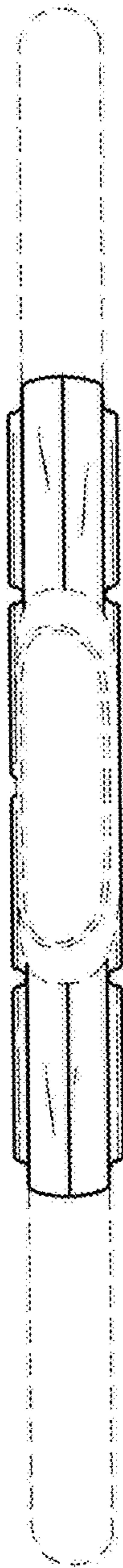


FIG. 34

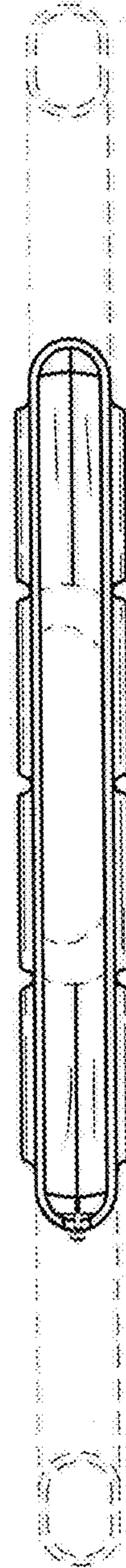


FIG. 35





FIG. 37



FIG. 36

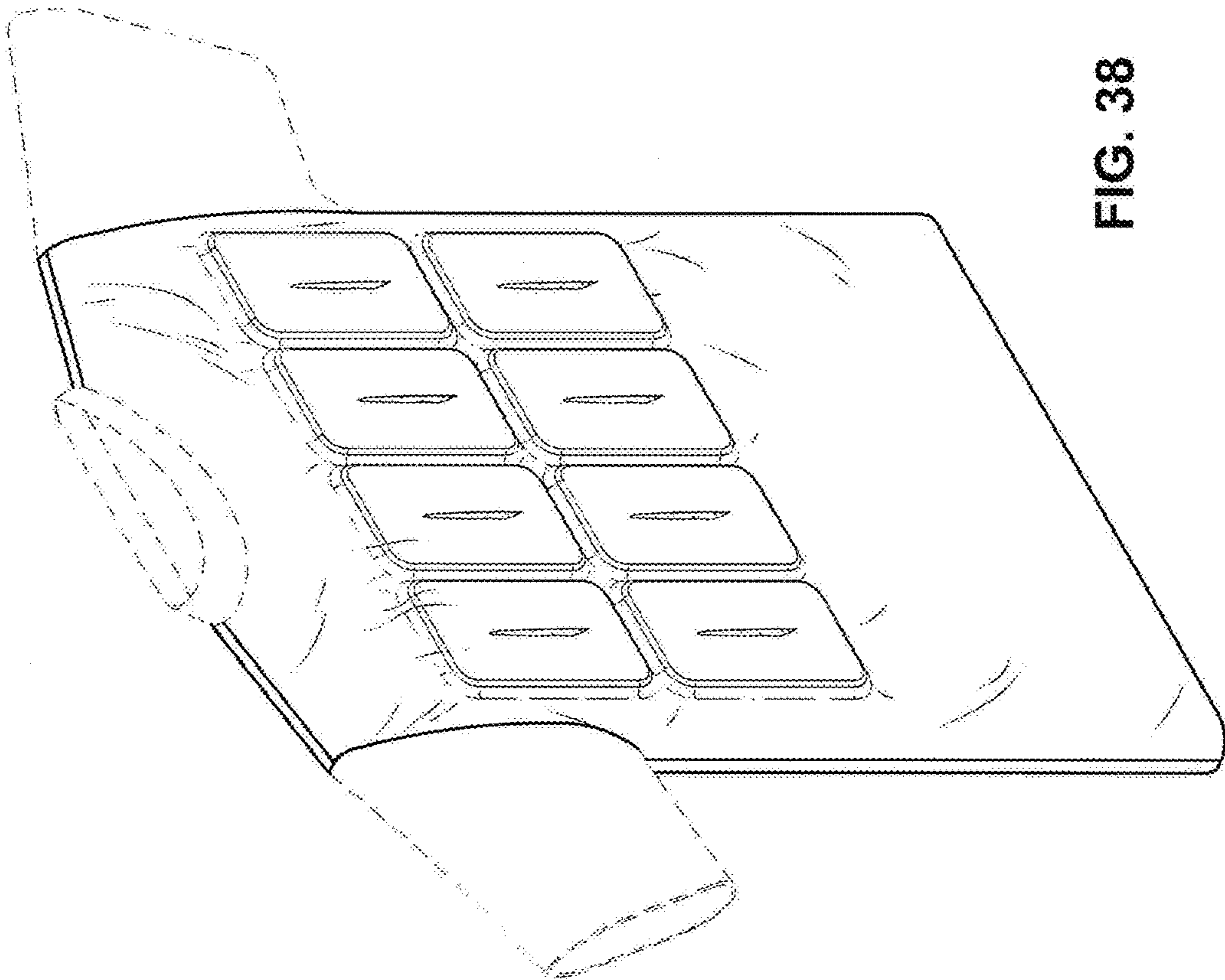


FIG. 38

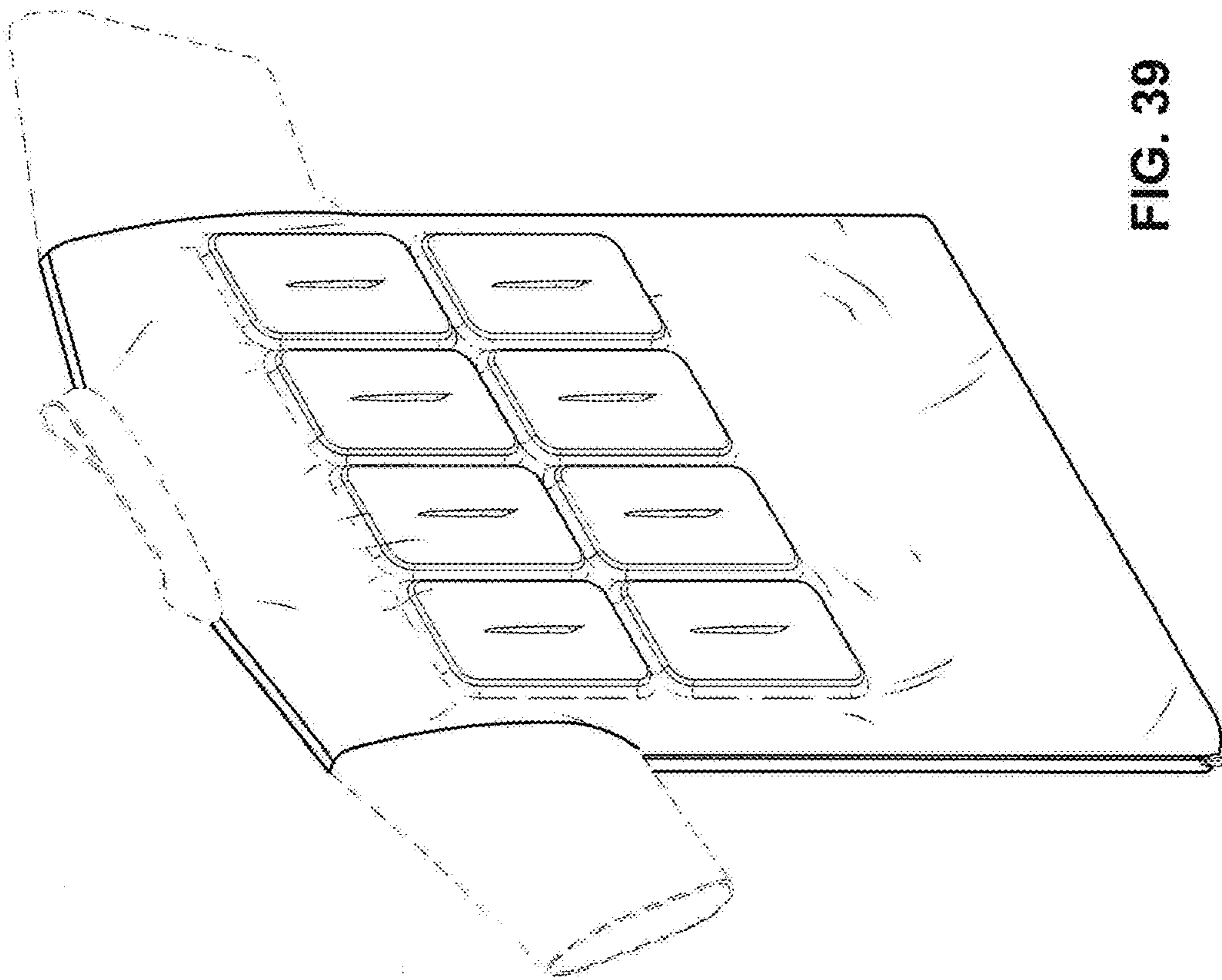


FIG. 39

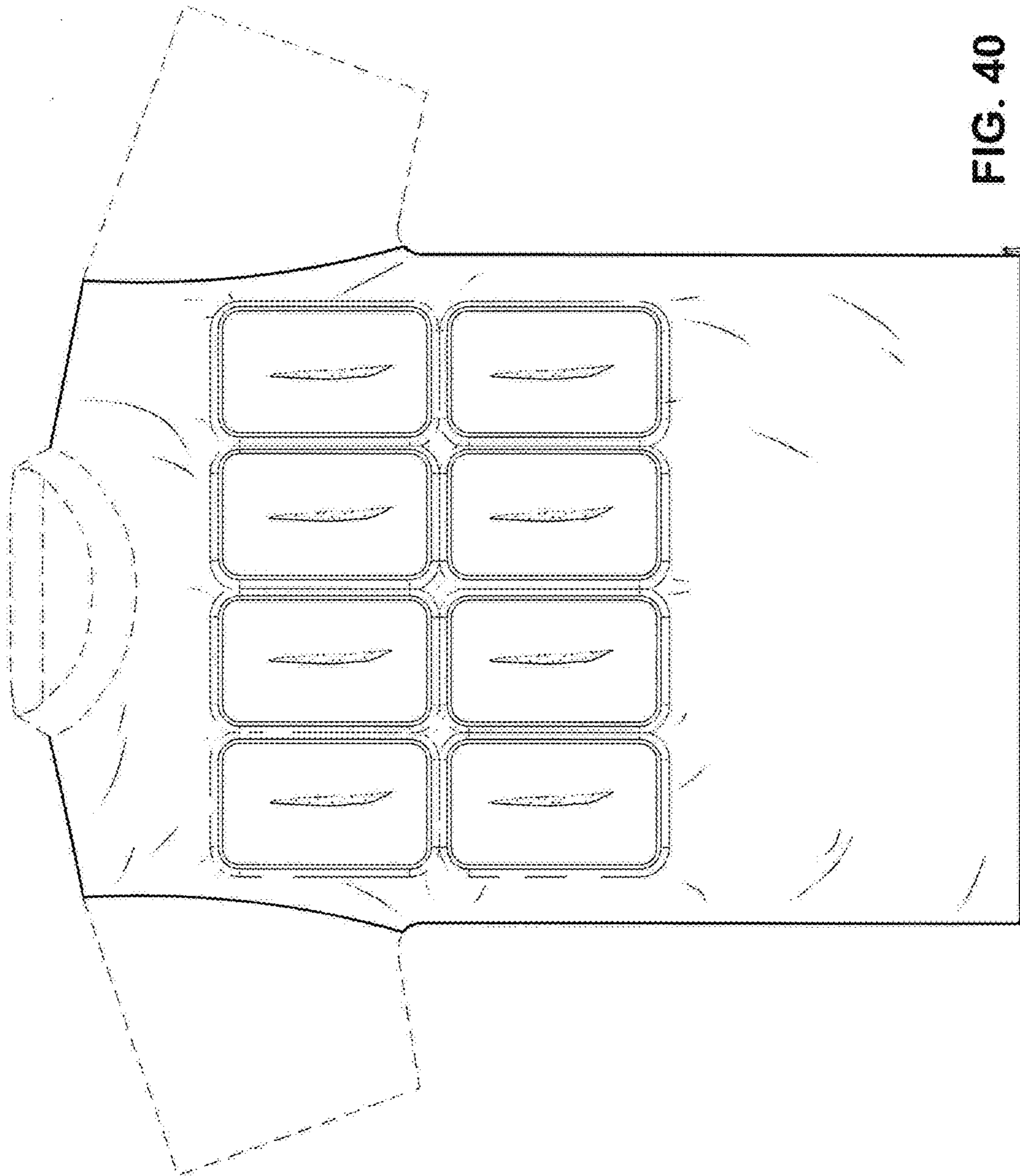


FIG. 40

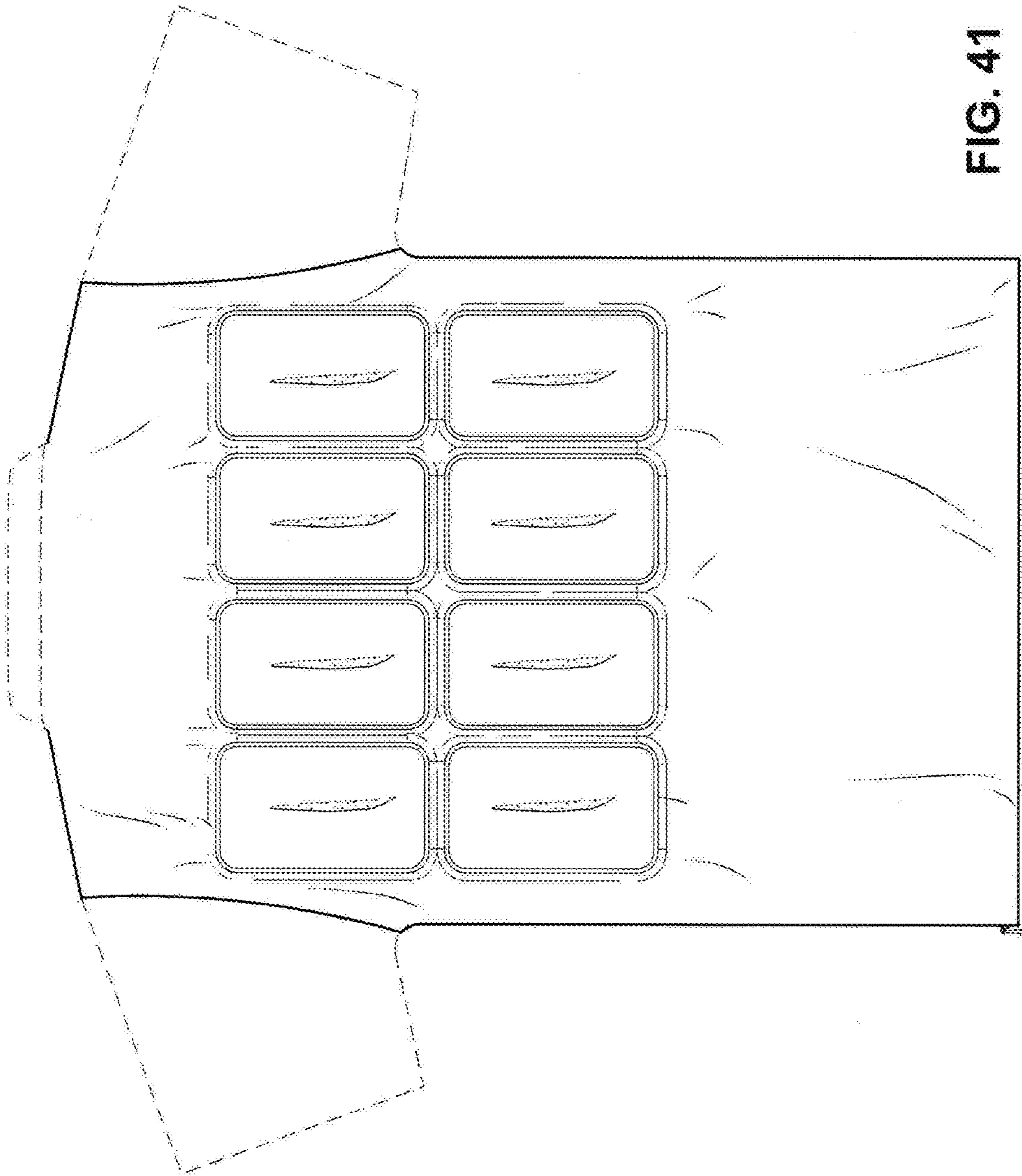


FIG. 41



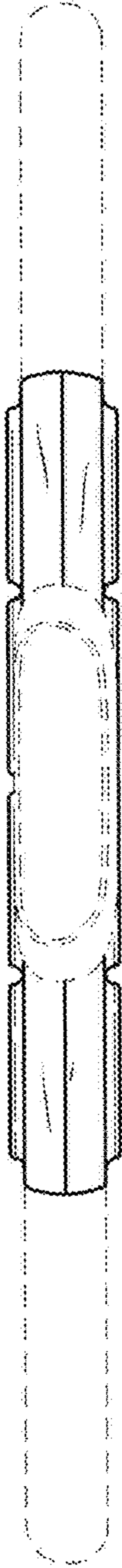


FIG. 42



FIG. 43

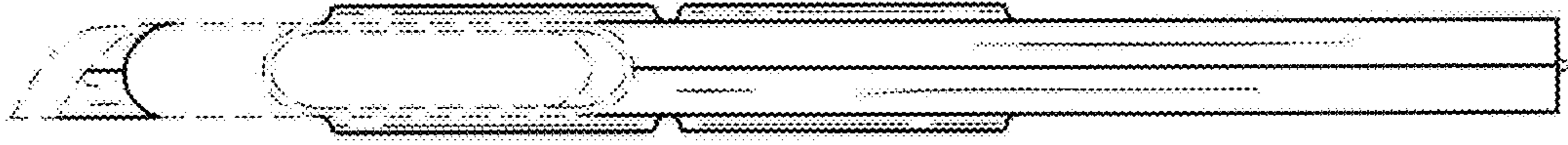


FIG. 45

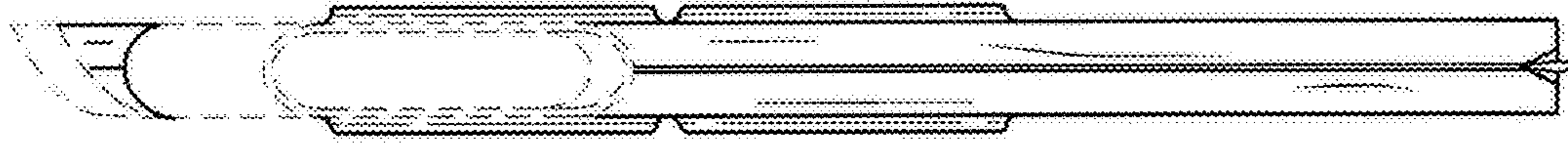


FIG. 44

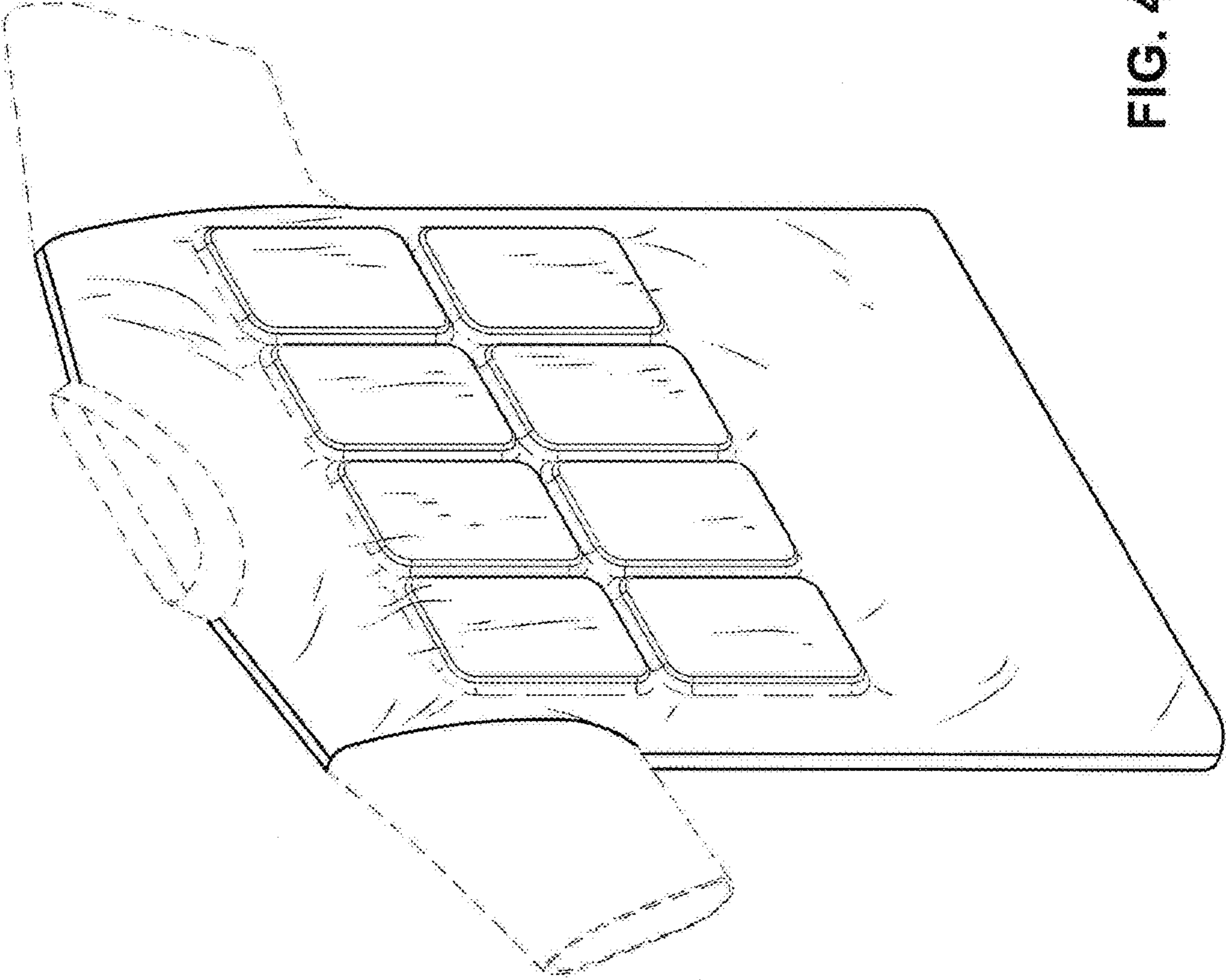


FIG. 46

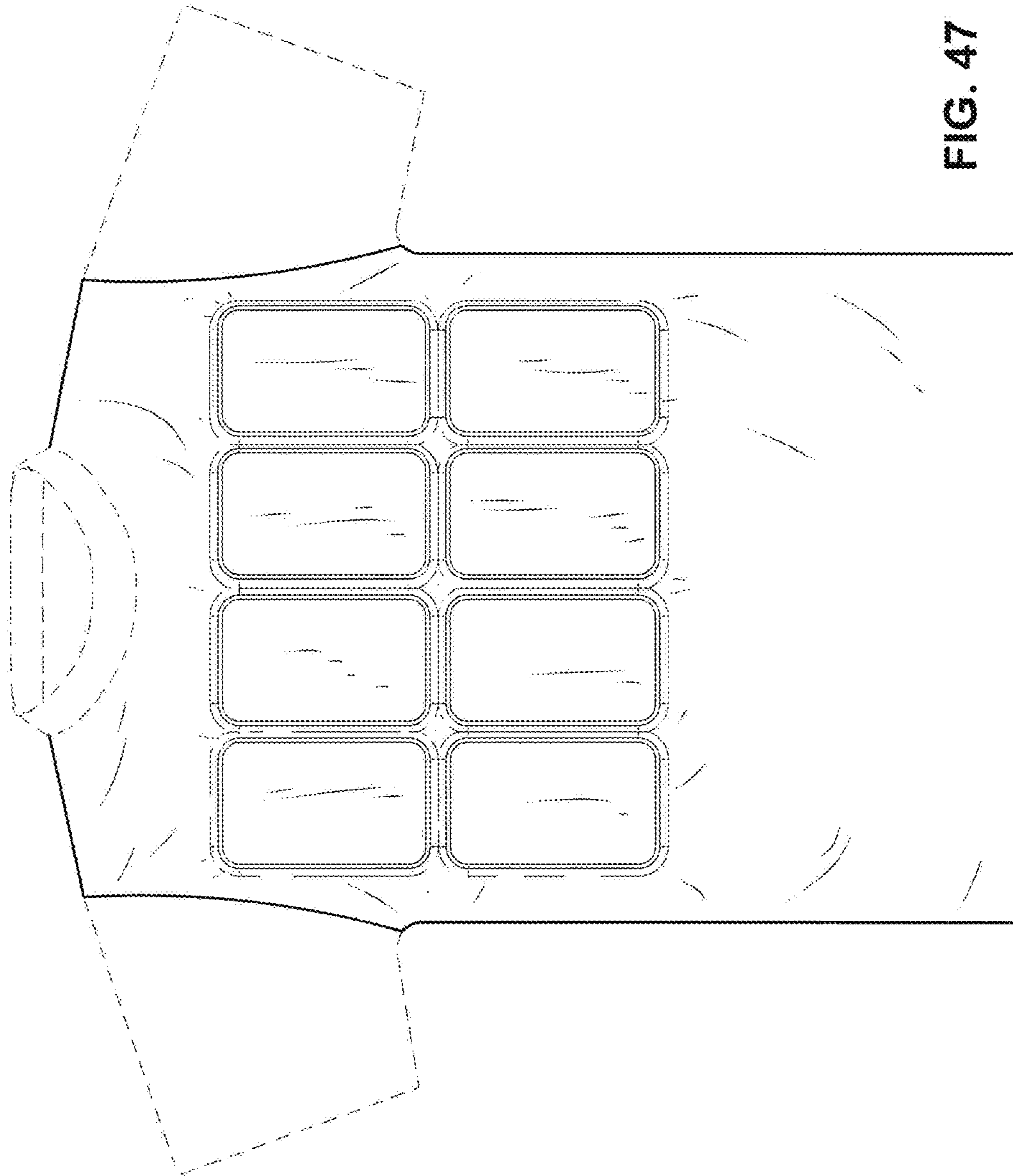


FIG. 47

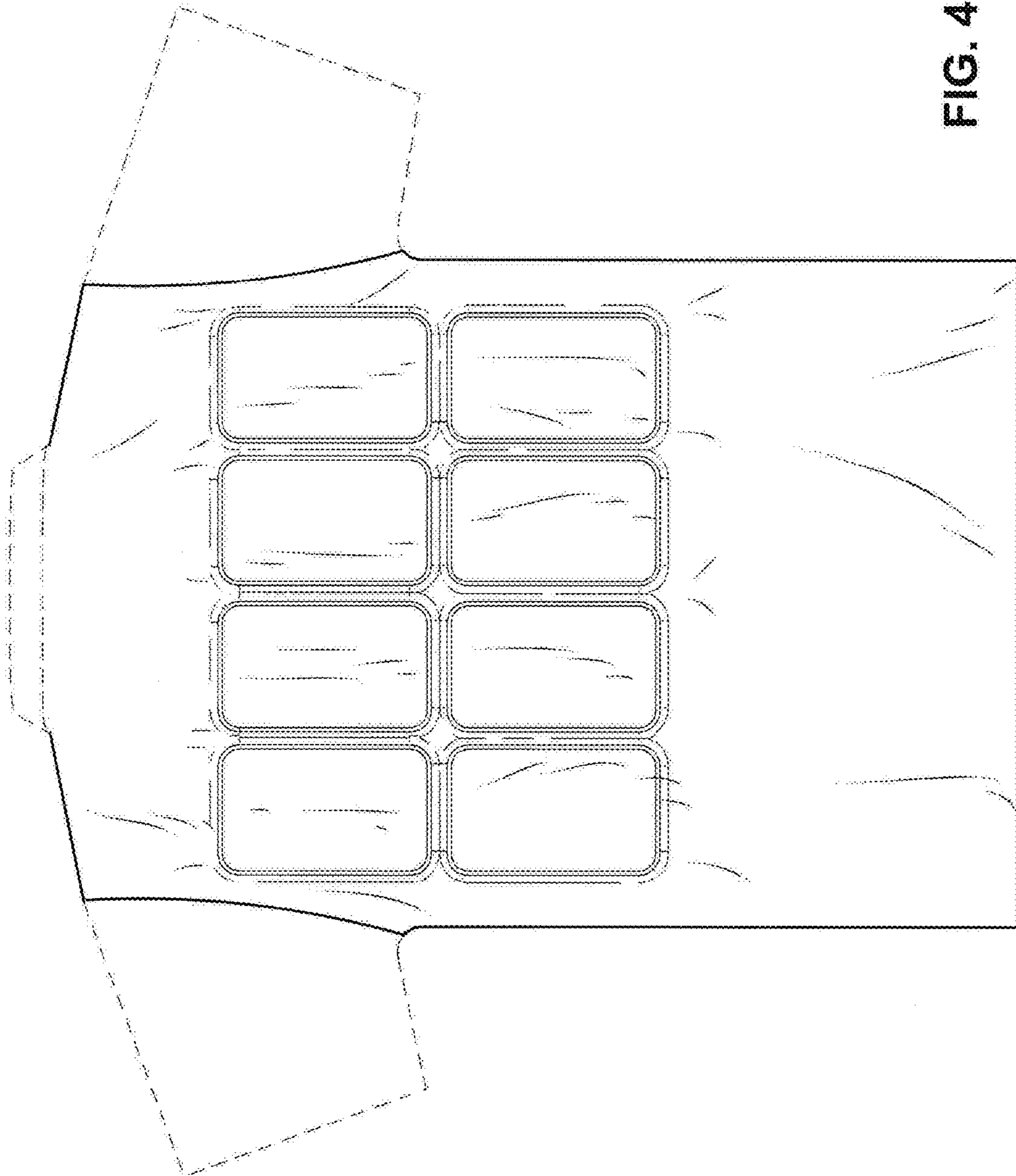


FIG. 48



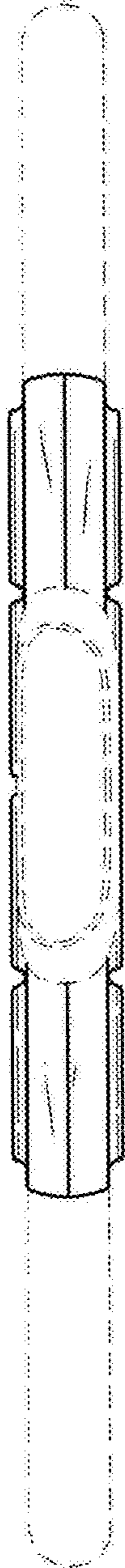


FIG. 49

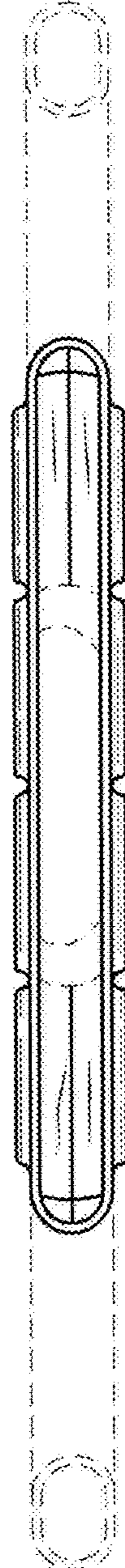


FIG. 50



FIG. 52



FIG. 51

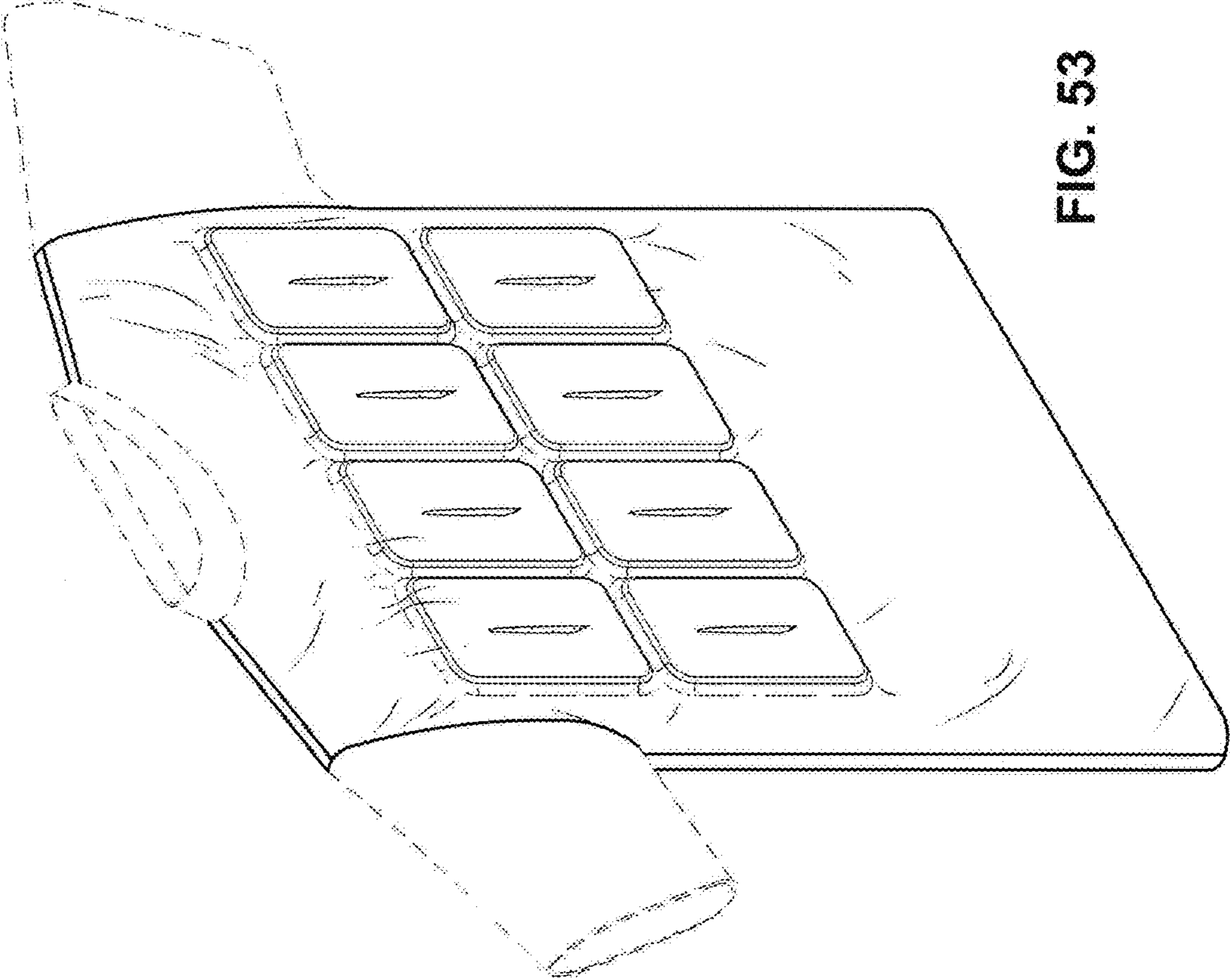


FIG. 53

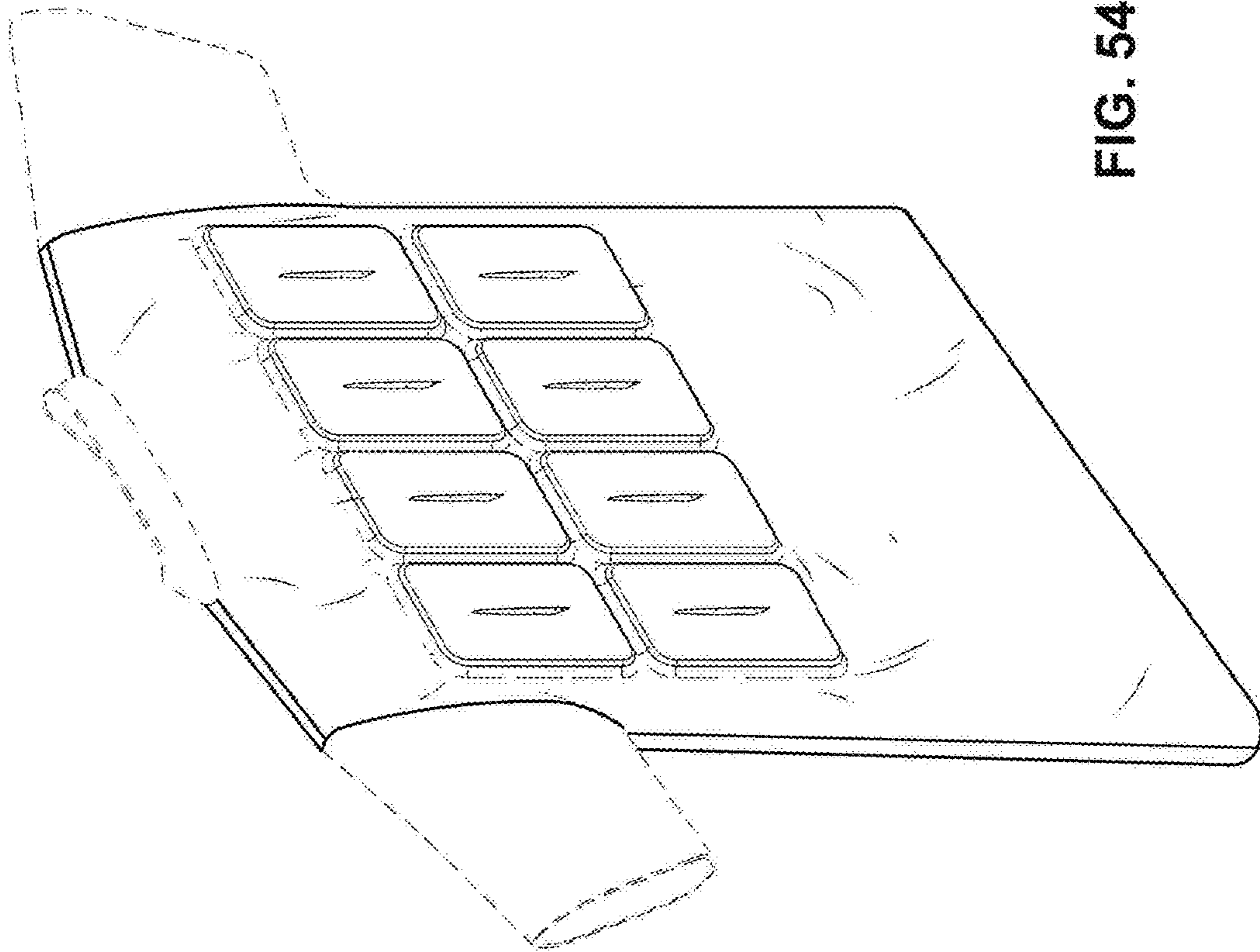


FIG. 54

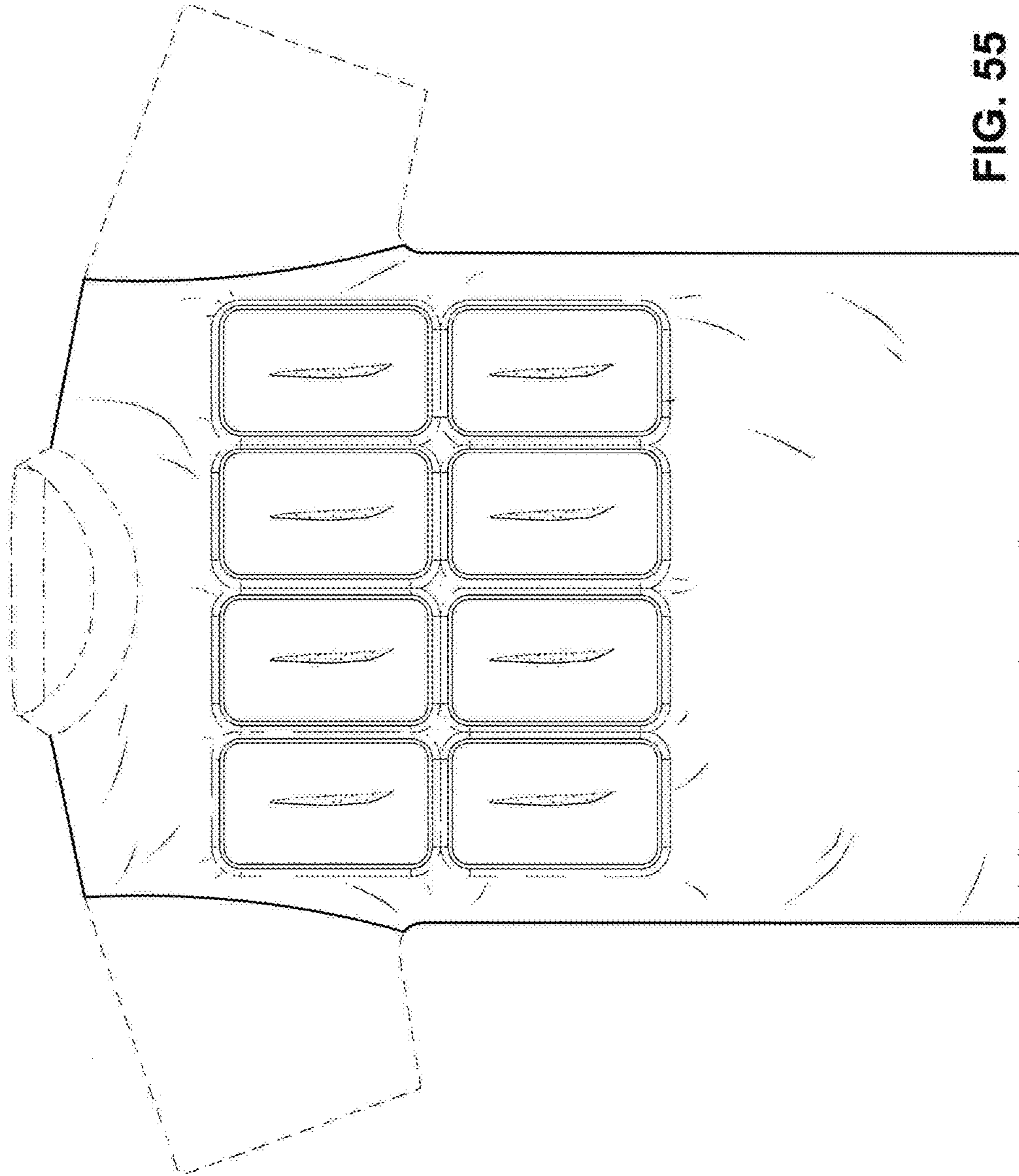


FIG. 55



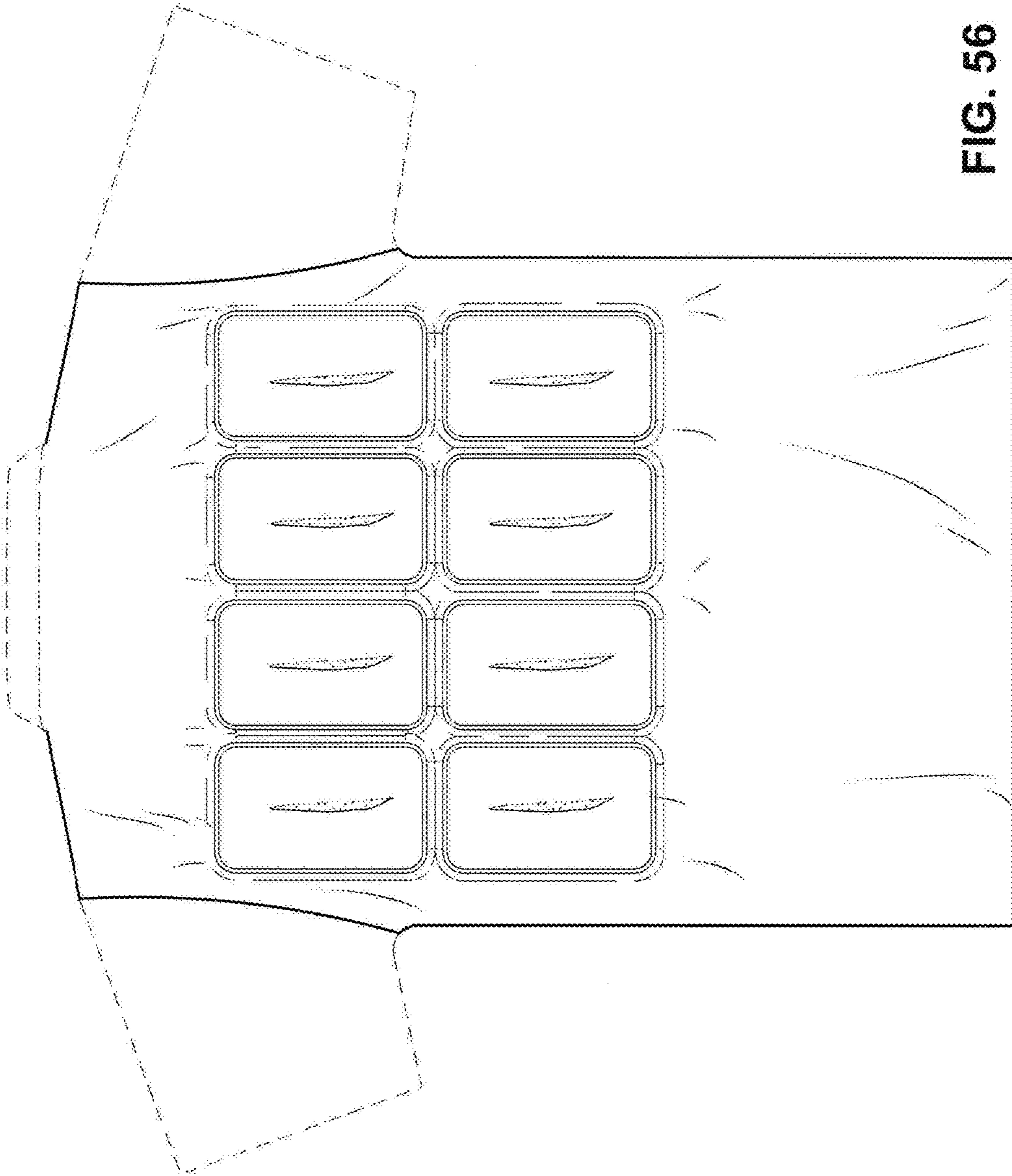


FIG. 56

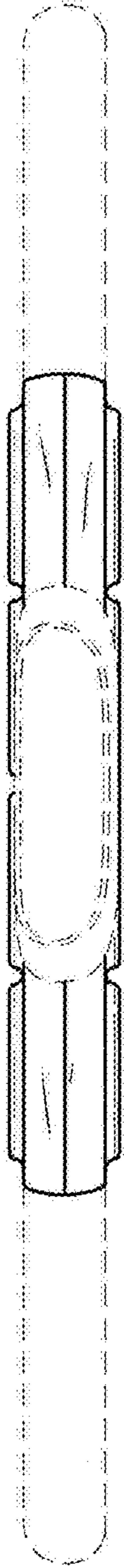


FIG. 57

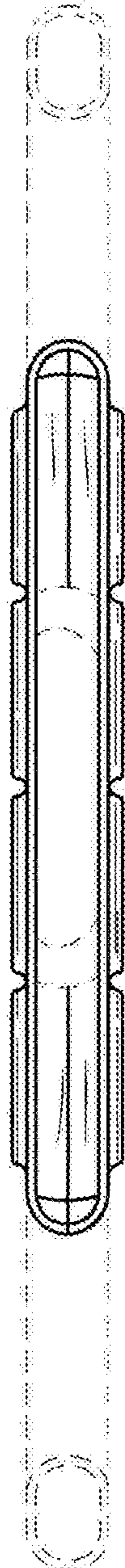


FIG. 58



FIG. 60



FIG. 59

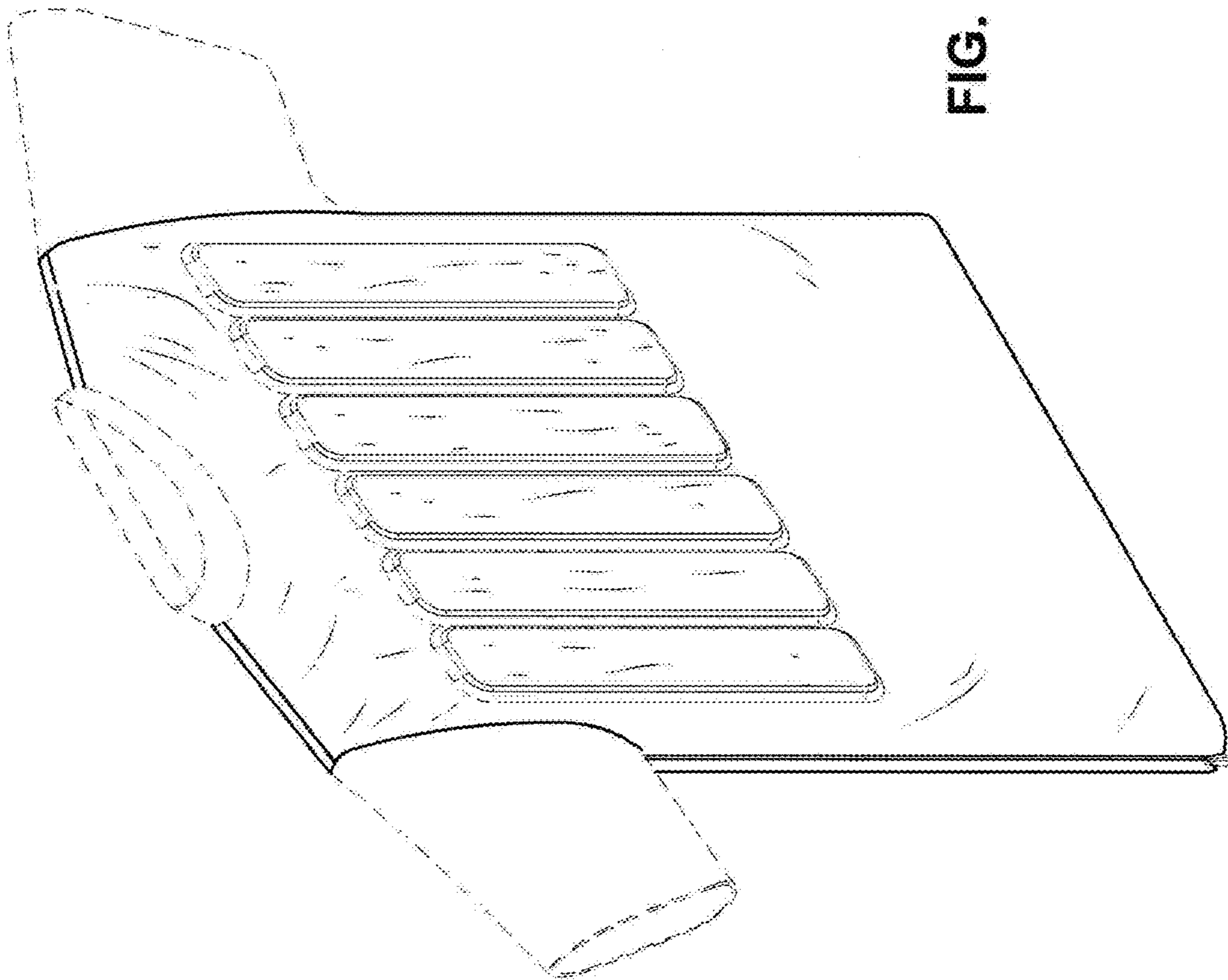


FIG. 61

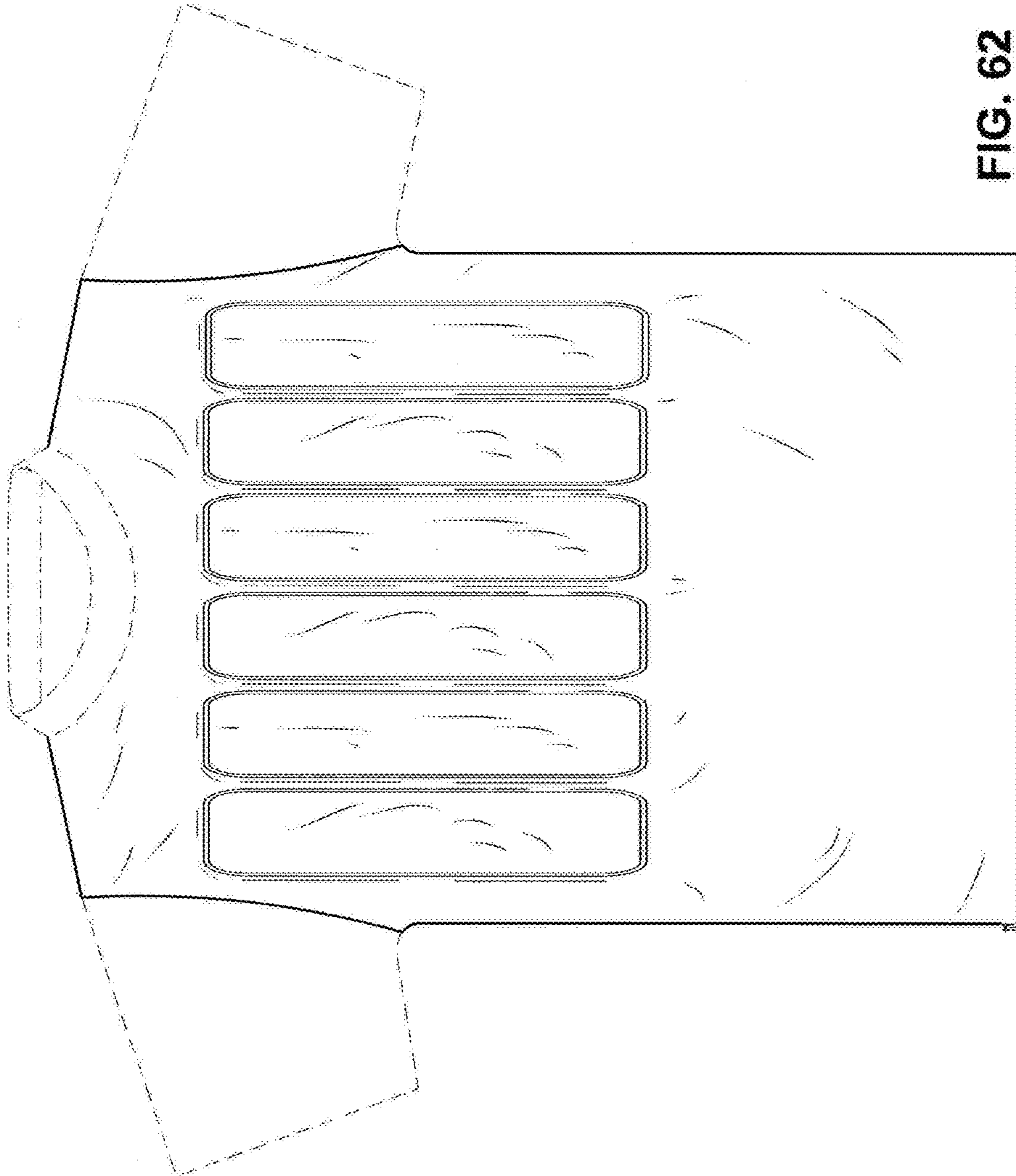


FIG. 62



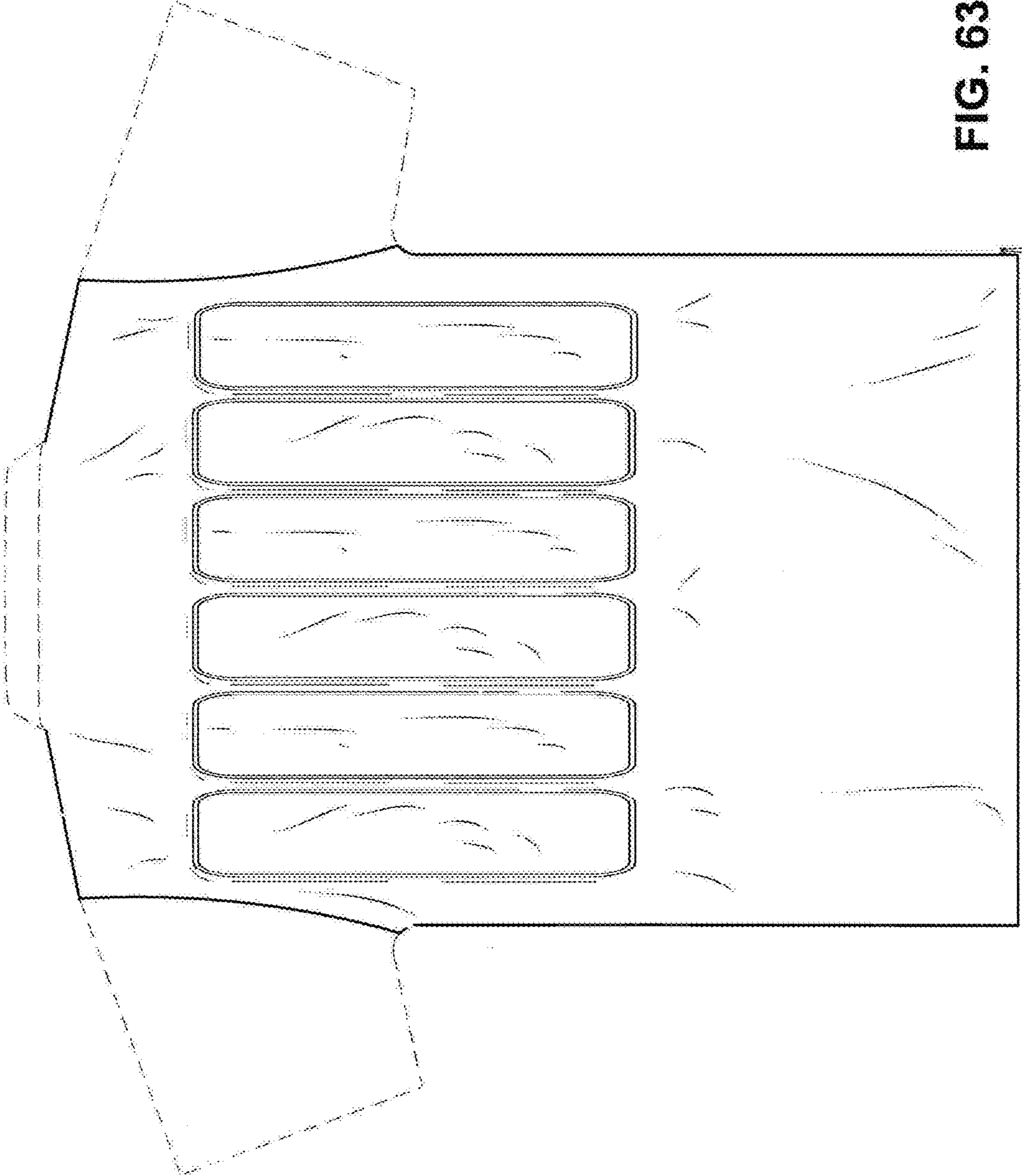


FIG. 63

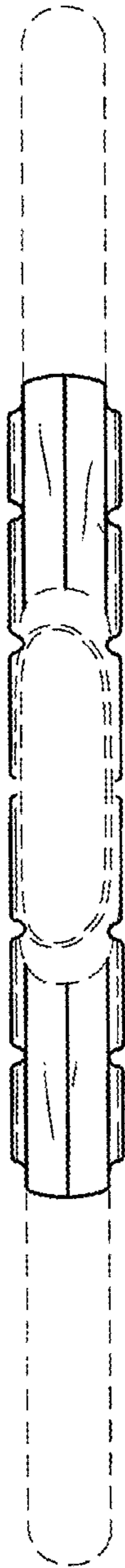


FIG. 64

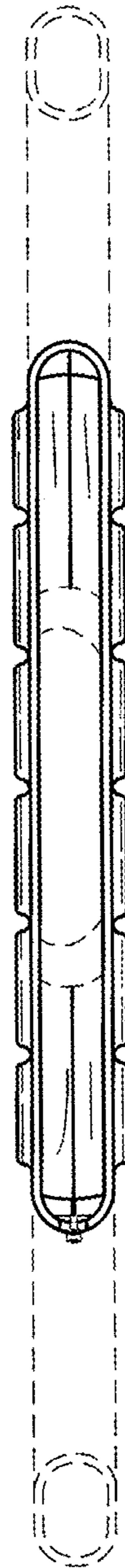


FIG. 65

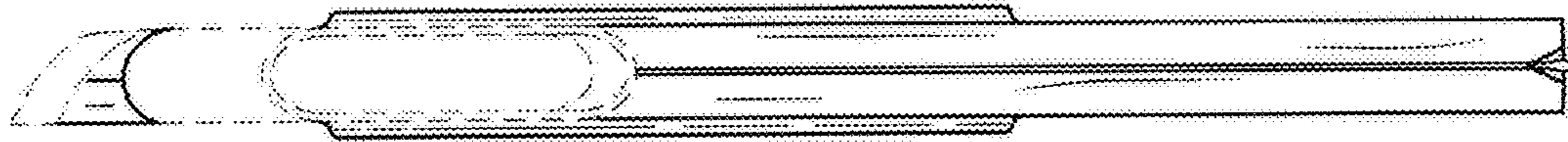


FIG. 67



FIG. 66

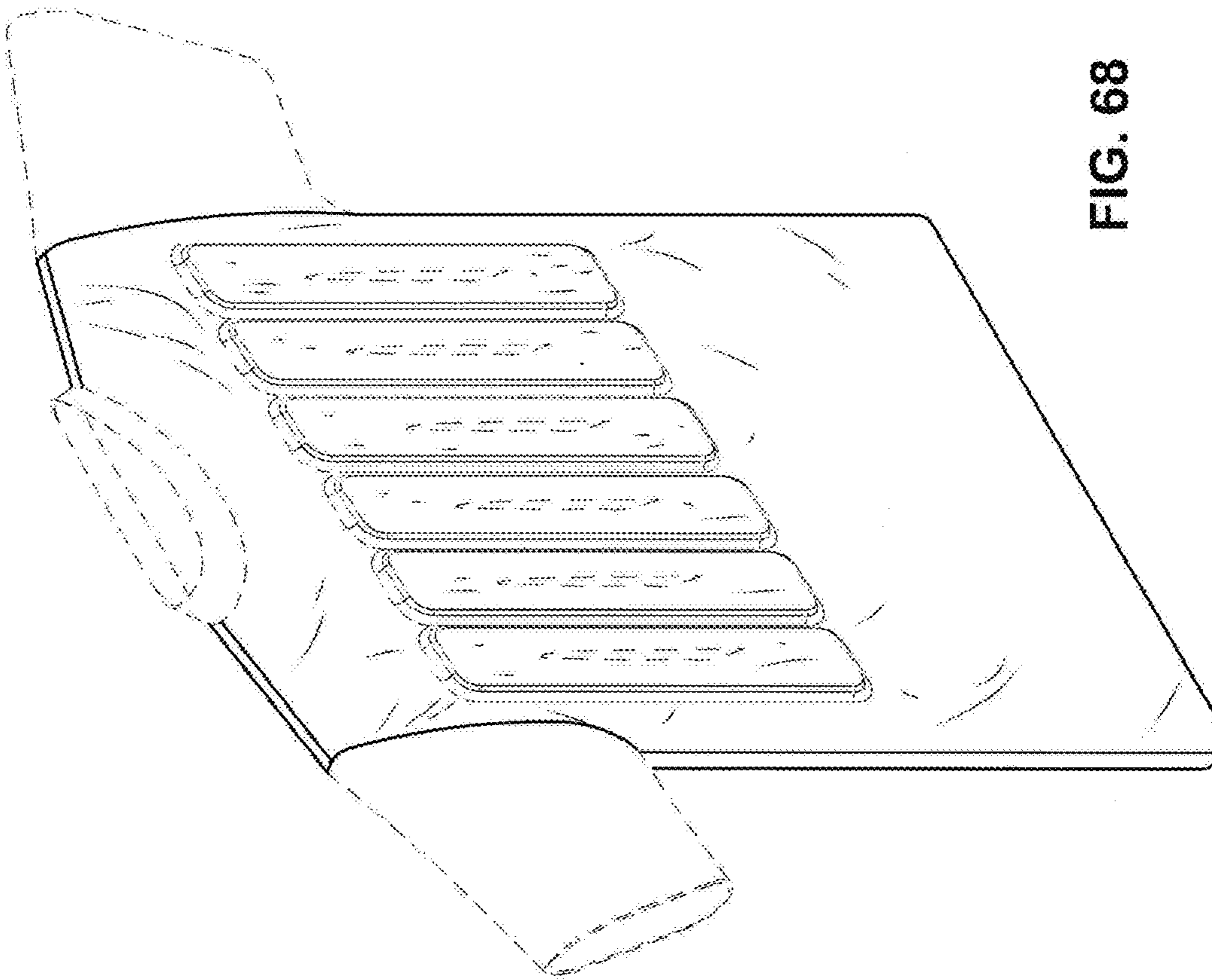


FIG. 68

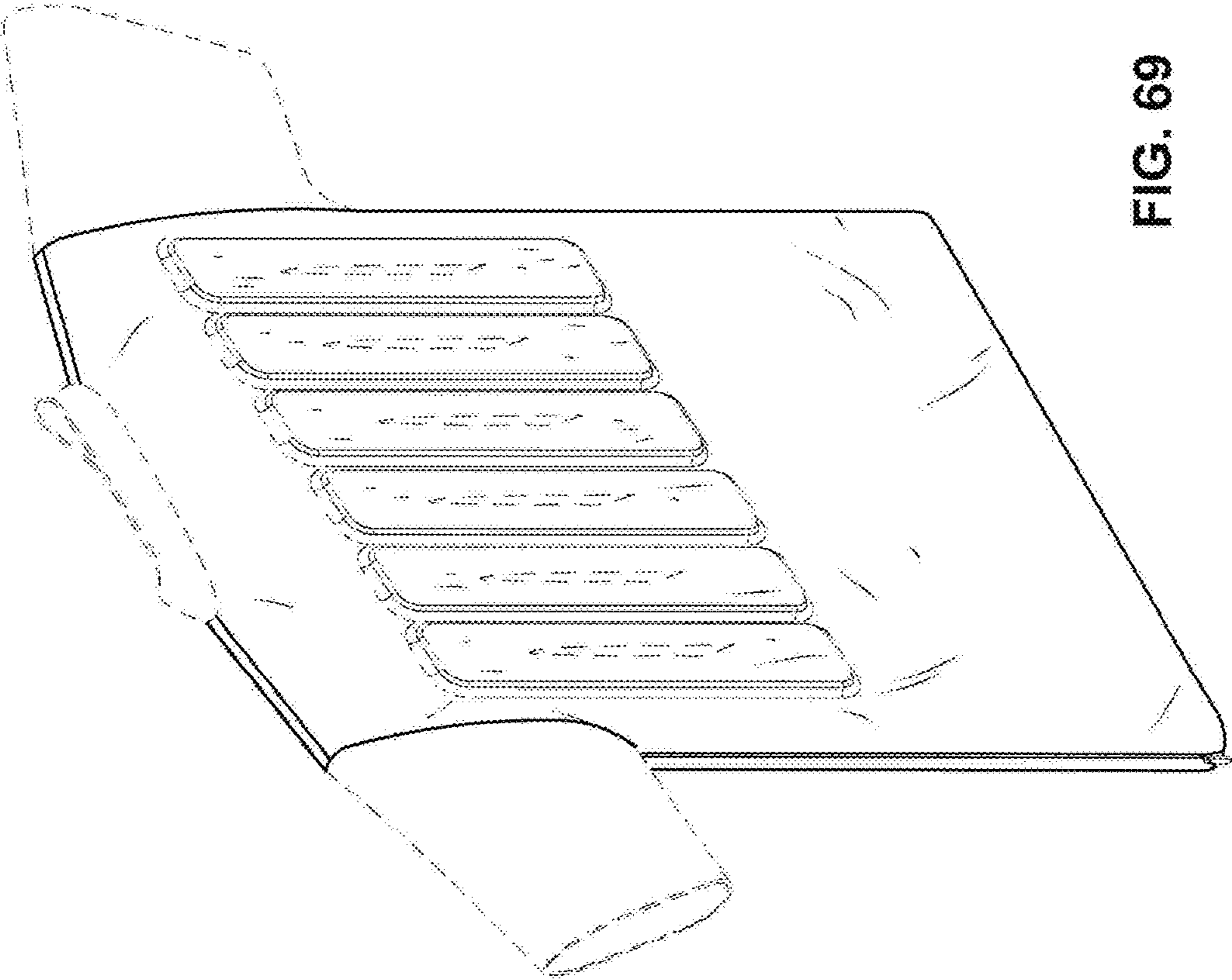


FIG. 69



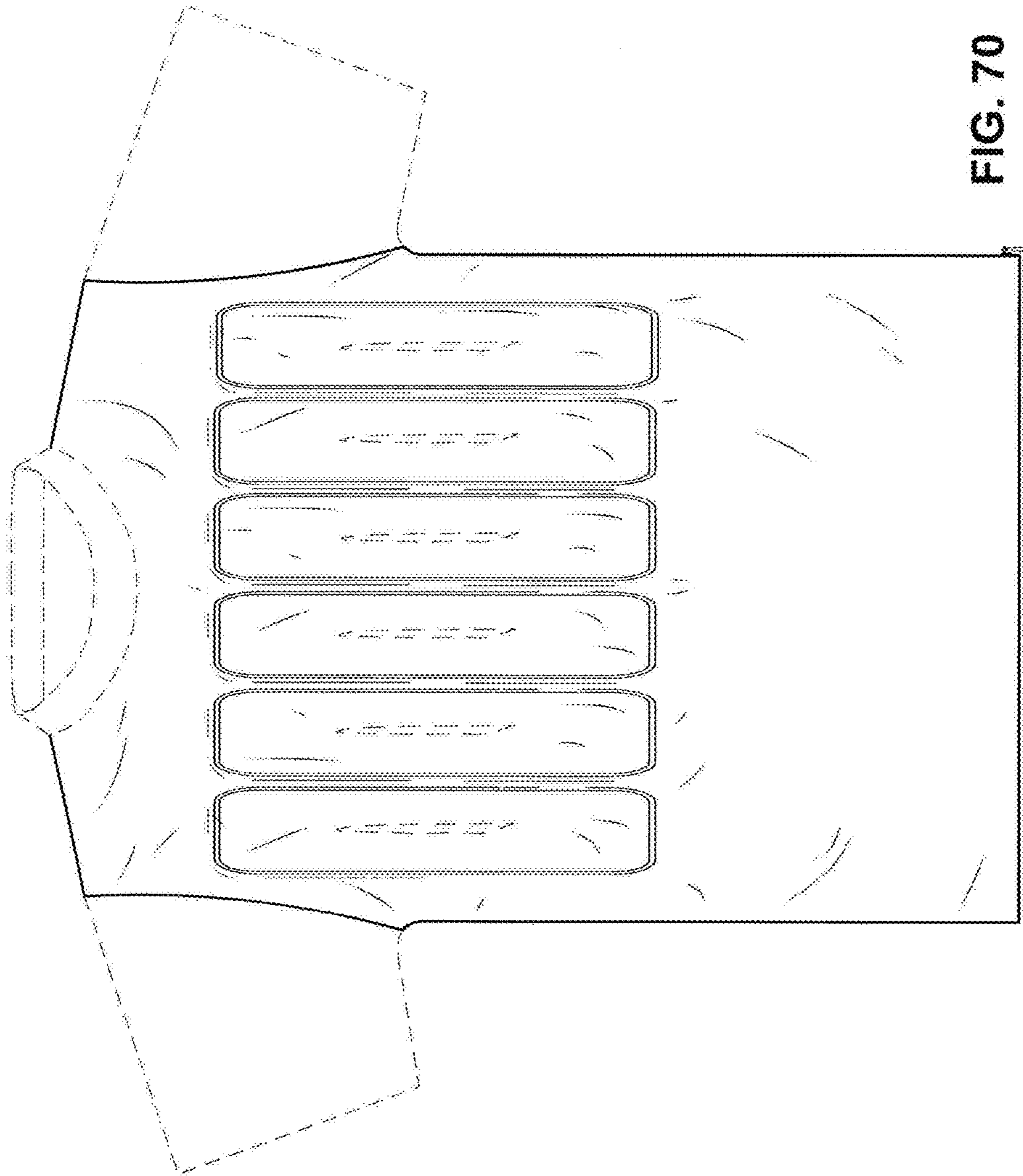


FIG. 70

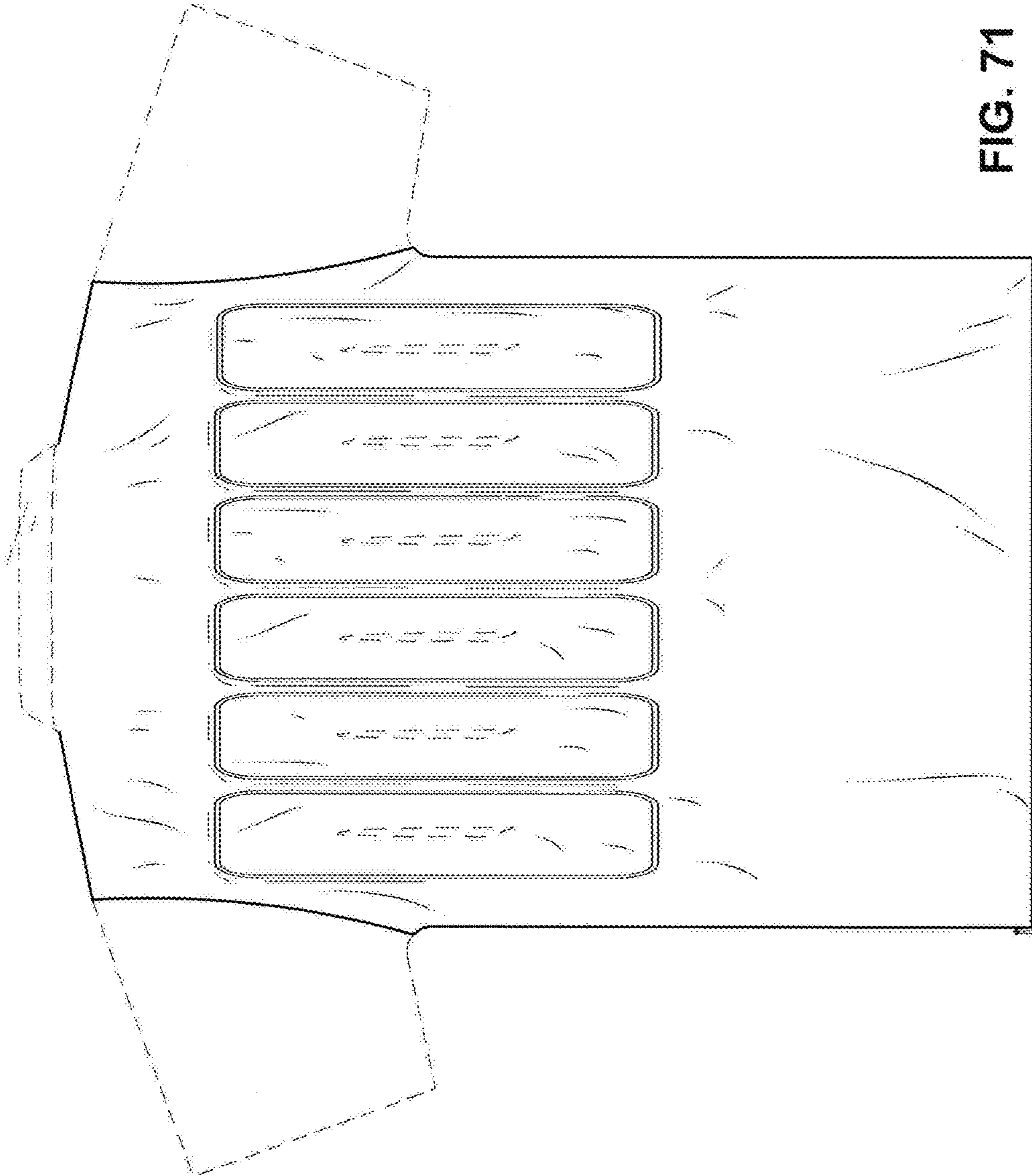


FIG. 71

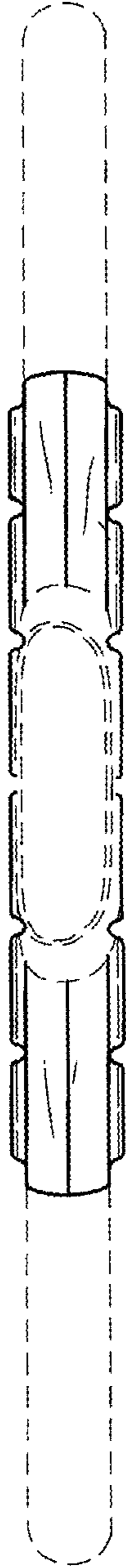


FIG. 72

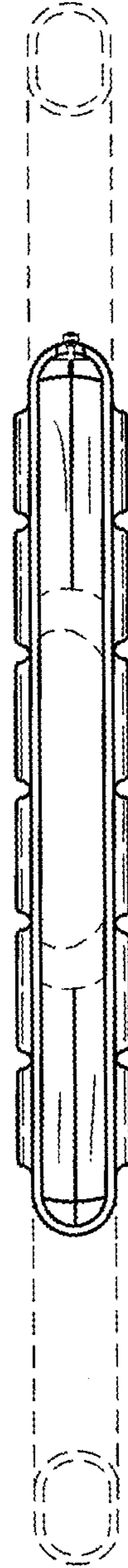


FIG. 73



FIG. 75



FIG. 74

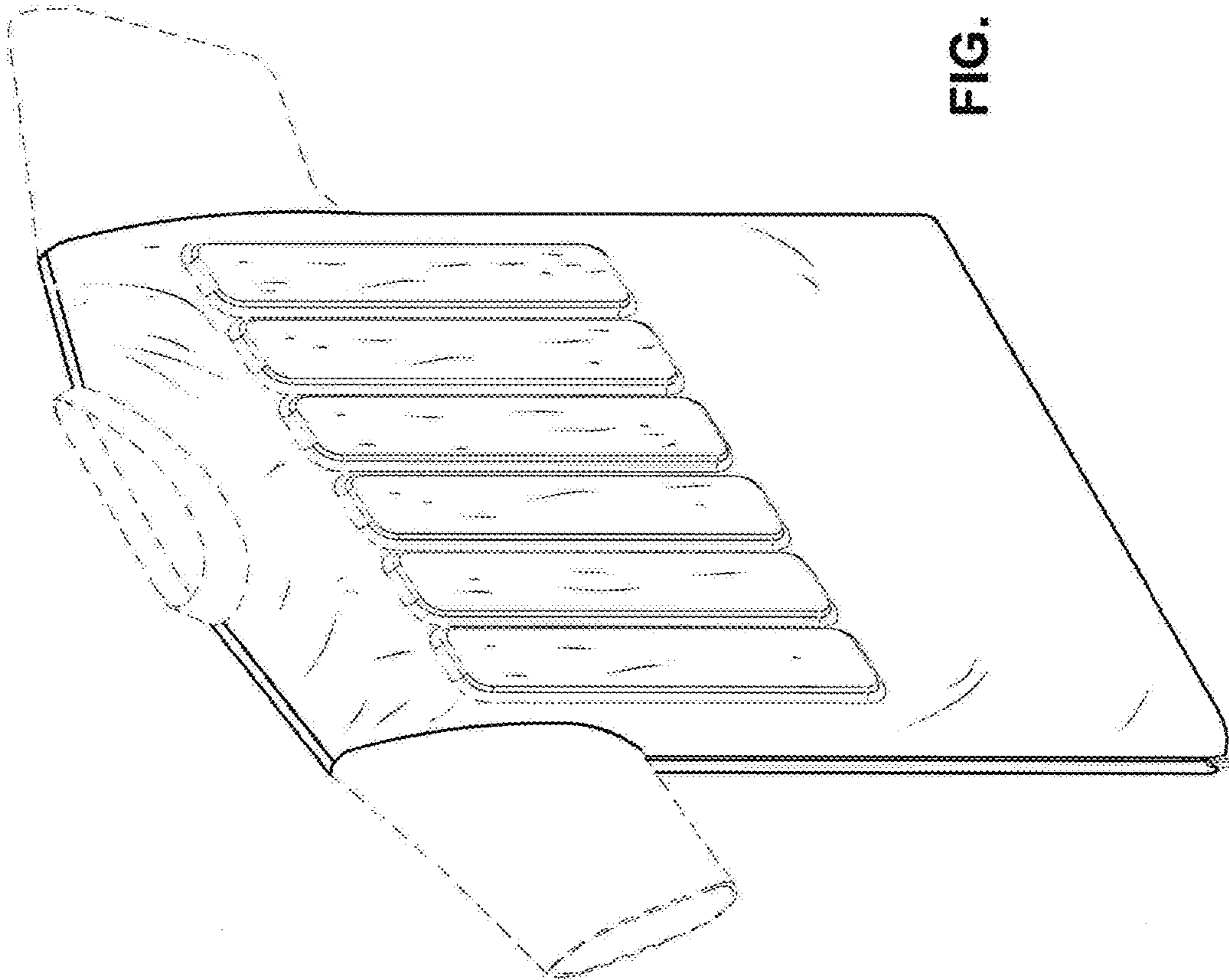


FIG. 76



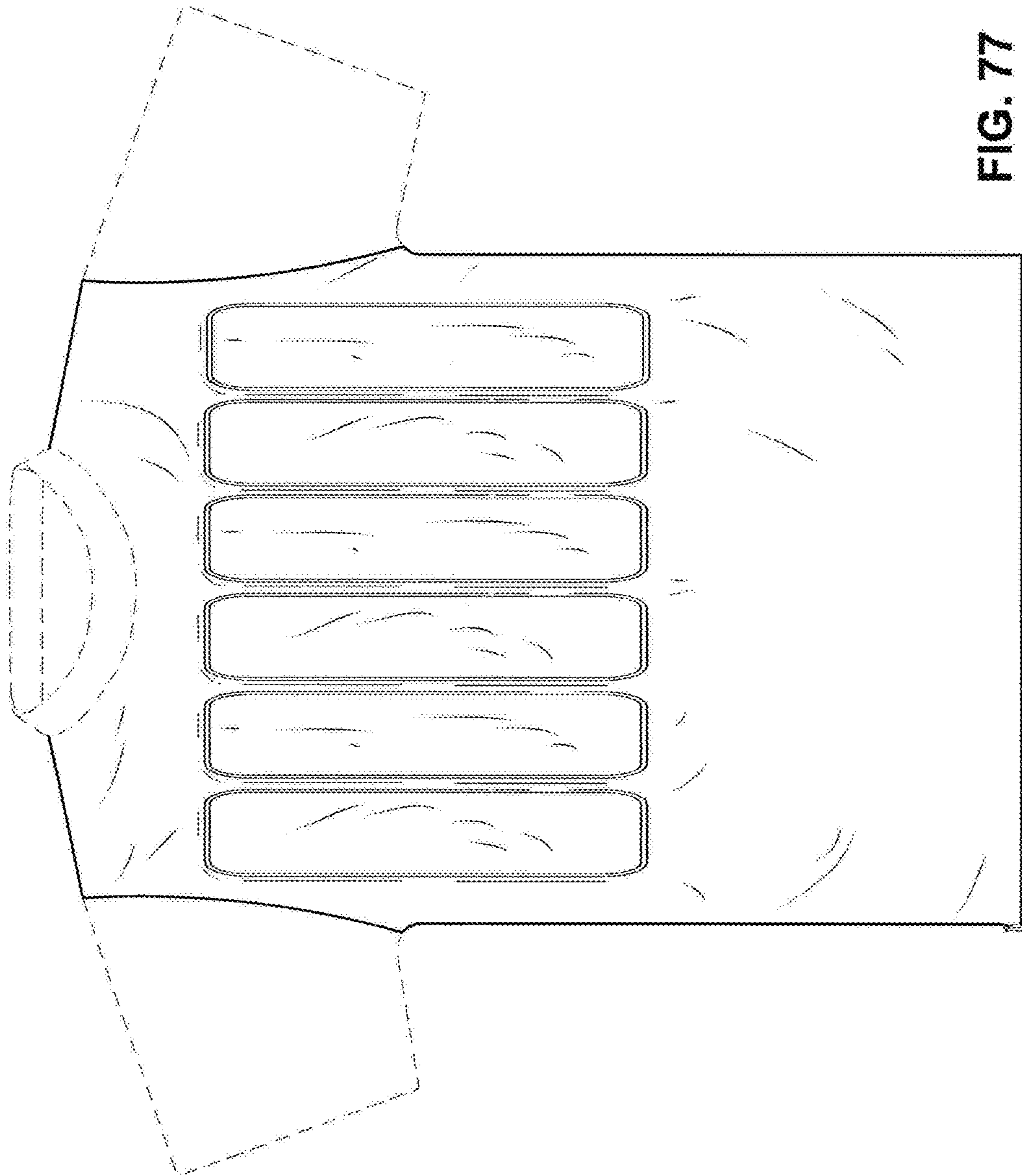


FIG. 77

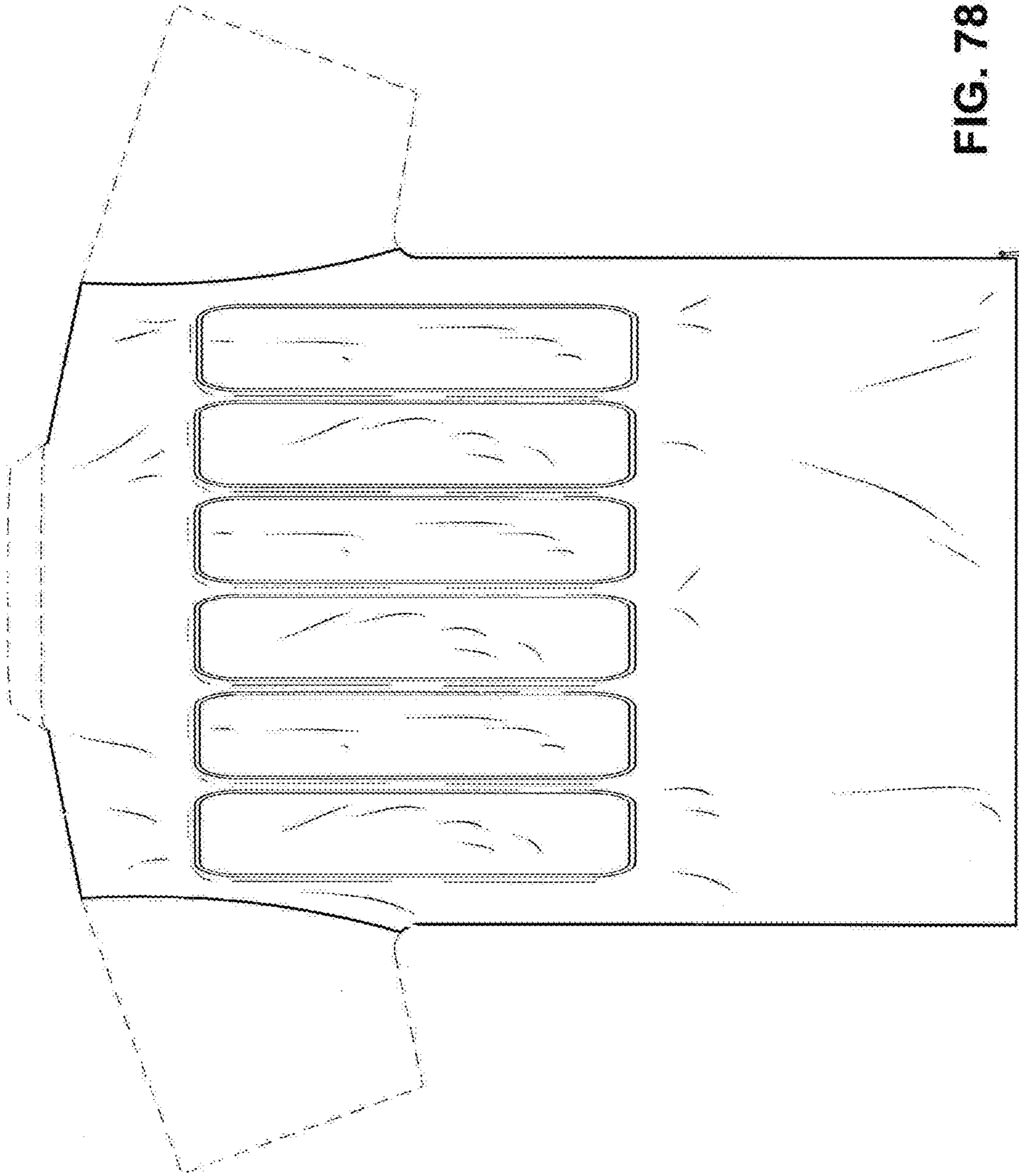


FIG. 78

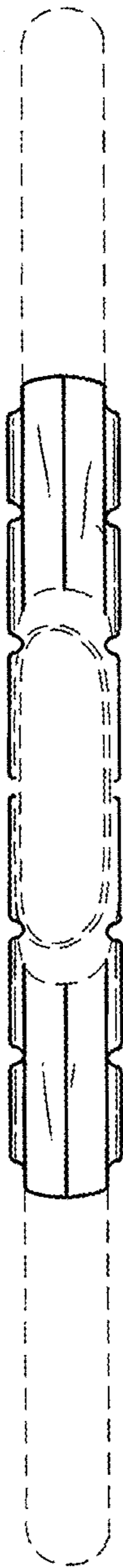


FIG. 79

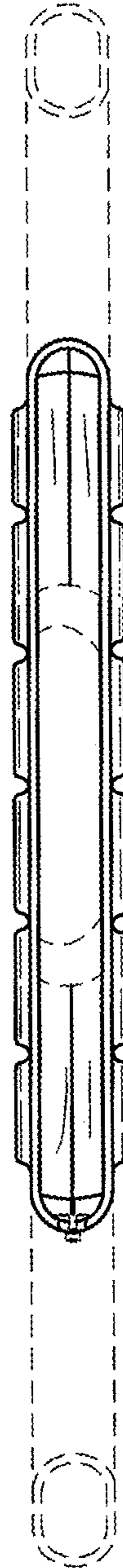


FIG. 80



FIG. 82



FIG. 81

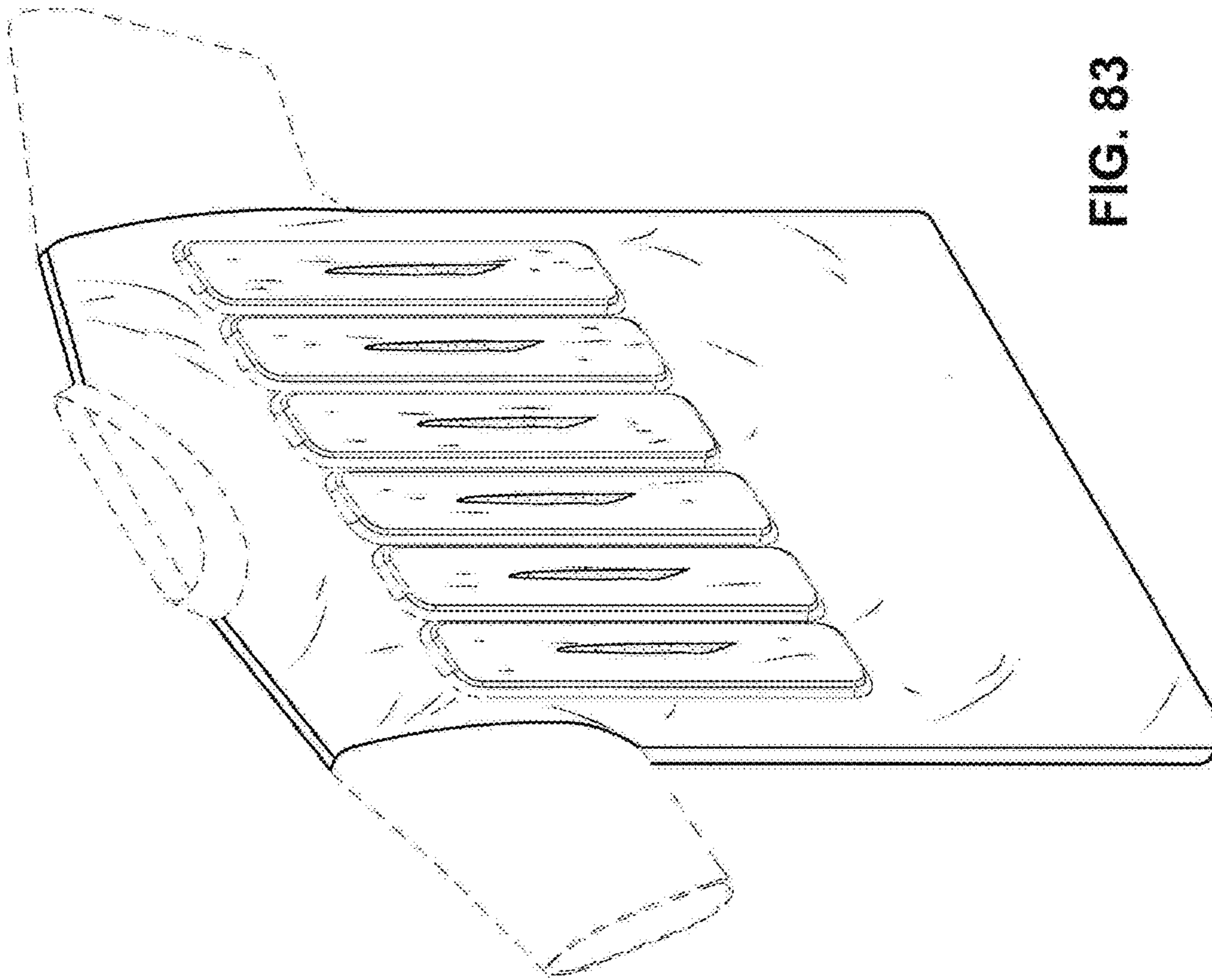


FIG. 83



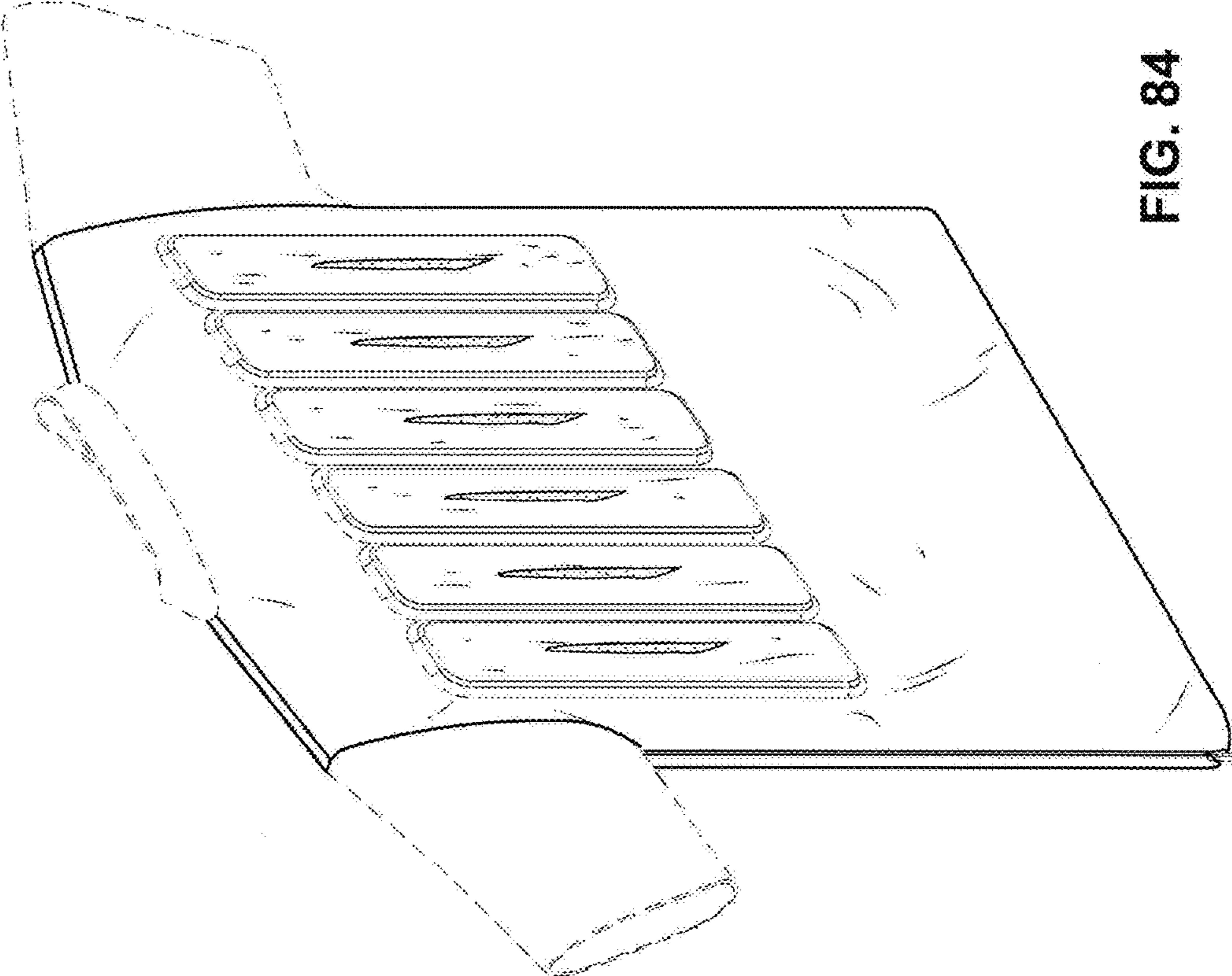


FIG. 84

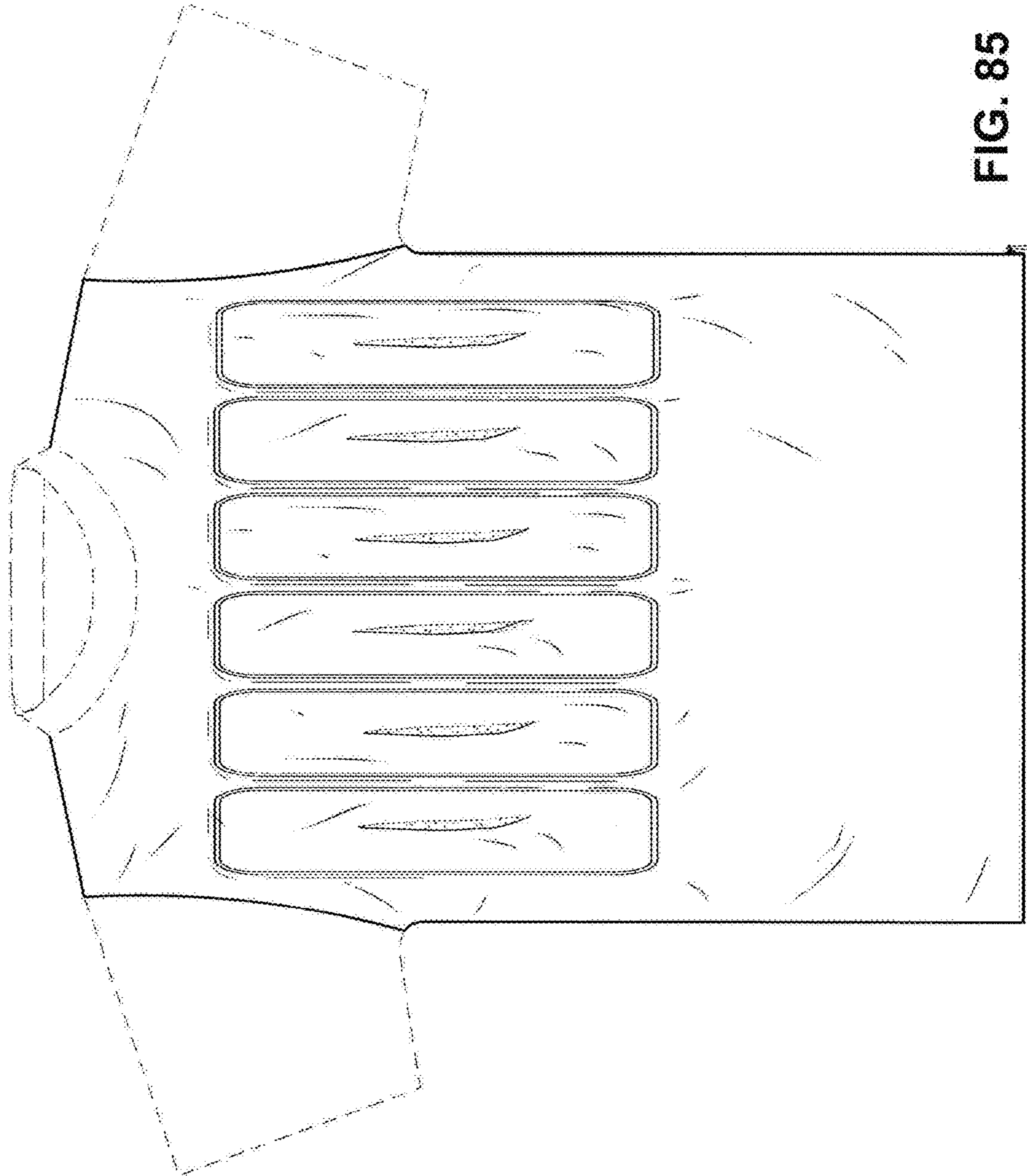


FIG. 85

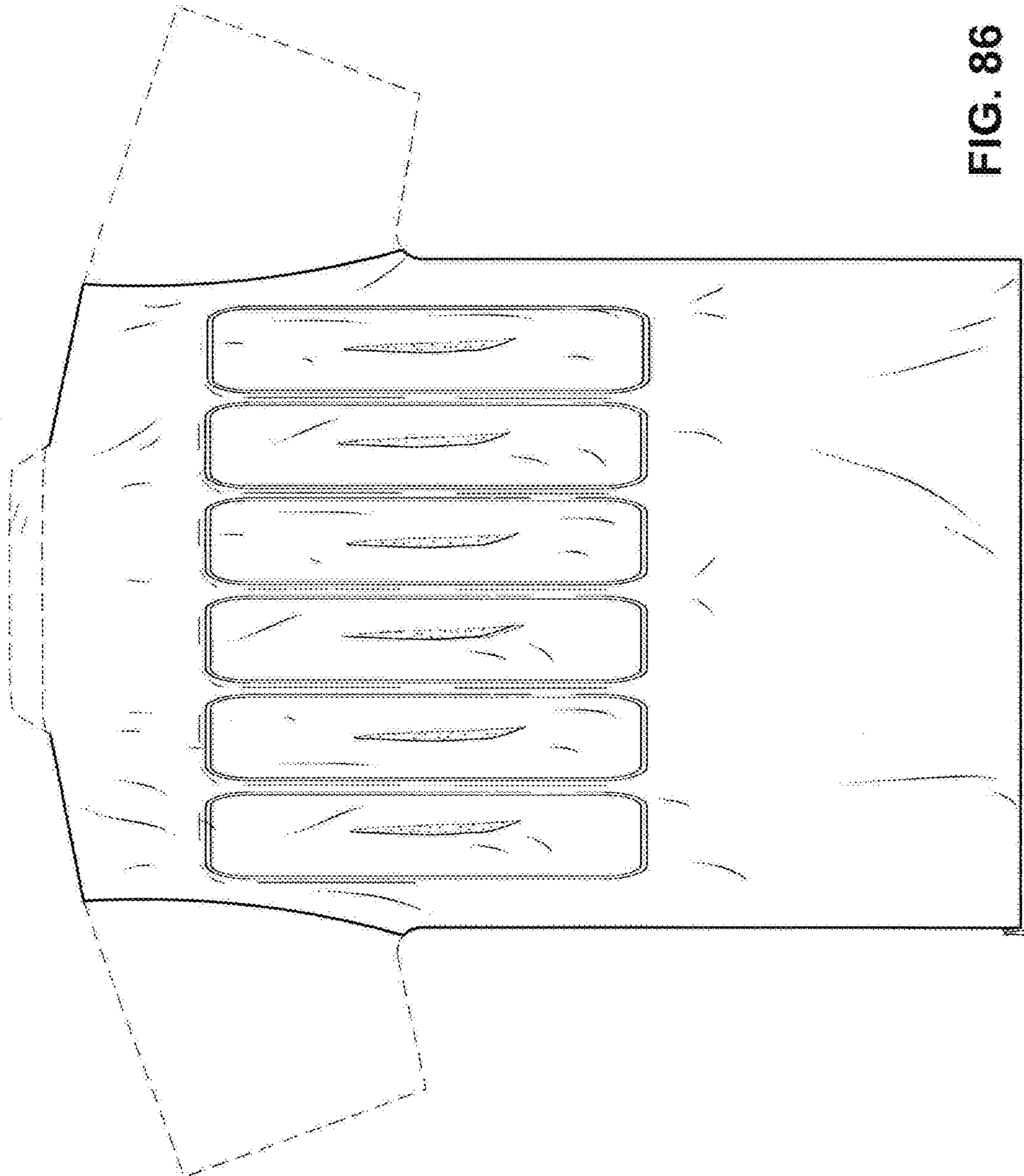


FIG. 86

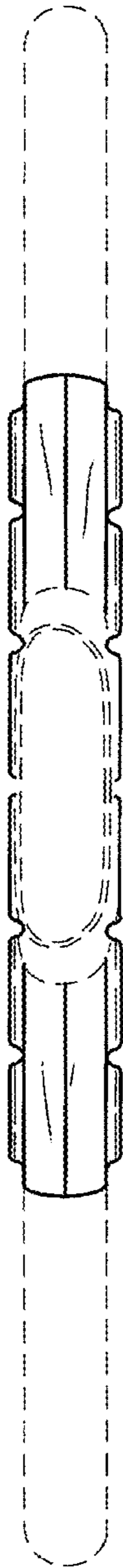


FIG. 87

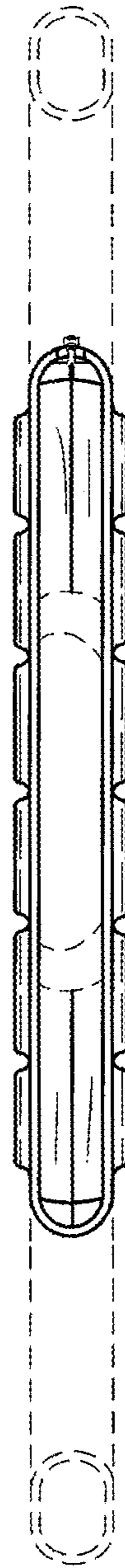


FIG. 88



FIG. 89



FIG. 88