

US00D785117S

(12) **United States Design Patent** (10) **Patent No.:** **US D785,117 S**
Chen (45) **Date of Patent:** **** Apr. 25, 2017**

(54) **TRAMPOLINE**
(71) Applicant: **Samuel Chen**, Shanghai (CN)
(72) Inventor: **Samuel Chen**, Shanghai (CN)
(**) Term: **15 Years**
(21) Appl. No.: **29/551,764**
(22) Filed: **Jan. 15, 2016**
(51) **LOC (10) Cl.** **21-02**
(52) **U.S. Cl.**
USPC **D21/797**
(58) **Field of Classification Search**
USPC D21/797, 668, 669, 834, 826; D6/716;
482/27, 35, 29, 112, 33, 110, 148, 28, 77,
482/147, 51; 297/452.18; 135/96, 117;
D30/112; D25/1, 16, 22, 56; 446/220;
473/469; 182/139, 224; 273/395, 402
CPC A63B 5/11; A63B 21/023; A63B 2208/12;
A63B 71/022; A63B 2210/50
See application file for complete search history.

(56) **References Cited**
U.S. PATENT DOCUMENTS
4,900,011 A * 2/1990 Nolet A47D 13/063
482/29
6,053,845 A * 4/2000 Publicover A63B 5/11
482/27
6,607,468 B1 * 8/2003 Nichols, Jr. A63B 5/11
482/27
D570,947 S * 6/2008 Horne D21/797
7,481,740 B2 * 1/2009 Colling A63B 5/11
482/27
D614,715 S * 4/2010 Mann D21/797
7,794,360 B2 * 9/2010 Publicover A63B 5/11
482/27
7,850,575 B1 * 12/2010 Hsiang A63B 71/022
482/27
7,854,687 B2 * 12/2010 Alexander A63B 5/11
482/27

D630,285 S * 1/2011 Hsiang D21/797
7,883,446 B2 * 2/2011 Lovley, II A63B 5/11
482/27
8,012,066 B1 * 9/2011 Hsiang A63B 5/11
482/27
D653,299 S * 1/2012 Samuel D21/797
D664,228 S * 7/2012 Hsiang D21/797
D684,233 S * 6/2013 Yang D21/797
D712,497 S * 9/2014 Yang D21/797
D717,899 S * 11/2014 Chen D21/797
D718,827 S * 12/2014 Chen D21/797
9,084,908 B1 * 7/2015 Chen A63B 5/11
9,089,732 B2 * 7/2015 Andon A63B 5/11
D755,914 S * 5/2016 Andon D21/797
(Continued)

OTHER PUBLICATIONS

Bounce Pro 14ft by NG Channel dated Jun. 31, 2016. Found online
[Dec. 21, 2016] <https://www.youtube.com/watch?v=tQV-Yp001wU>.*

(Continued)

Primary Examiner — Robert M Spear
Assistant Examiner — Ryan Harvey
(74) *Attorney, Agent, or Firm* — Clement Cheng

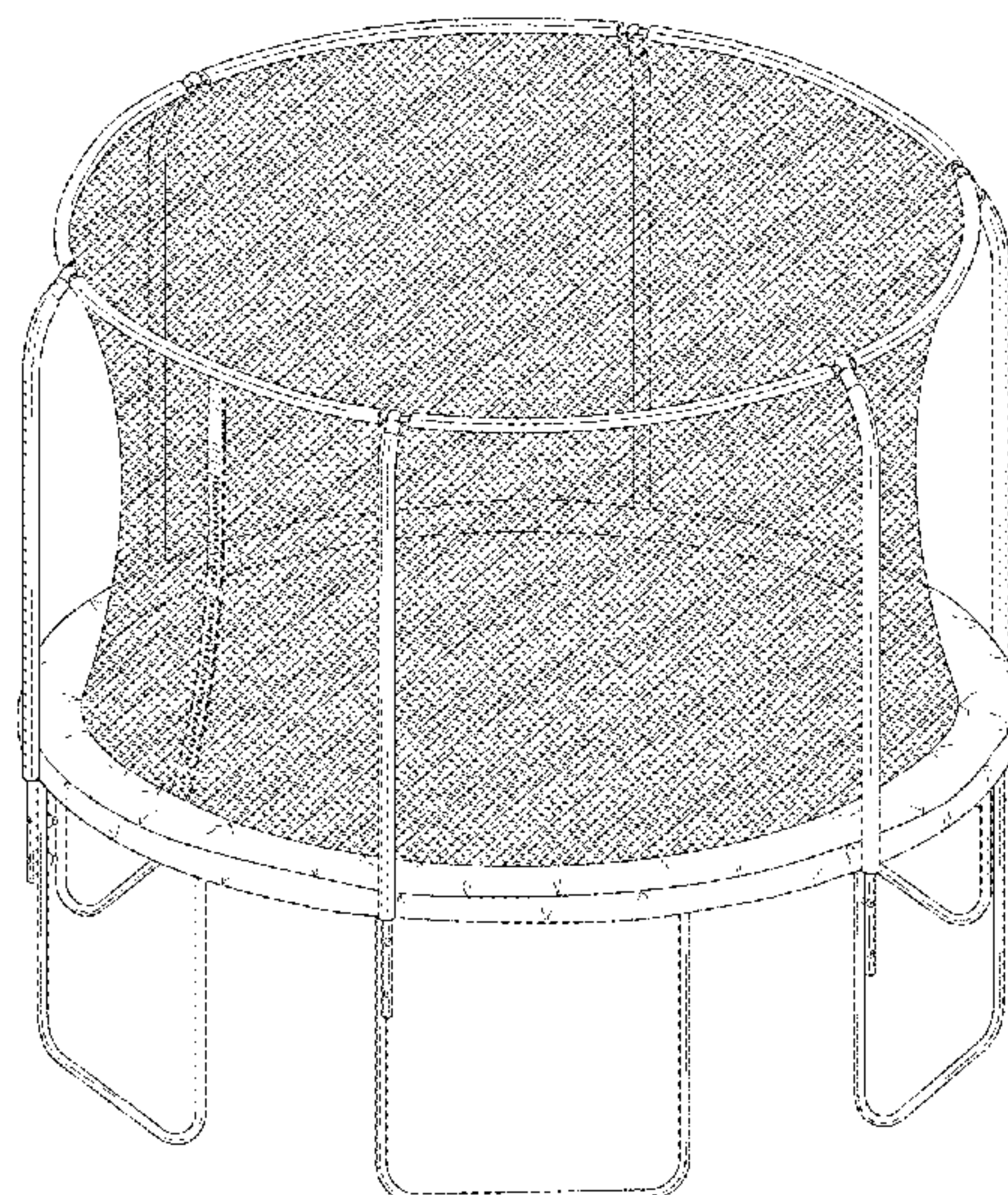
(57) **CLAIM**

The ornamental design for a trampoline, as shown and described.

DESCRIPTION

FIG. 1 is a perspective view.
FIG. 2 is a front view.
FIG. 3 is a rear view.
FIG. 4 is a left side view.
FIG. 5 is a right side view.
FIG. 6 is a top view; and,
FIG. 7 is a bottom view.
The broken line showing of a zipper depicts environment and forms no part of the claim.

1 Claim, 7 Drawing Sheets



(56)

References Cited

U.S. PATENT DOCUMENTS

9,399,152 B2* 7/2016 Yang A63B 5/11
 2002/0137598 A1* 9/2002 Publicover A63B 5/11
 482/27
 2004/0121883 A1* 6/2004 Publicover A63B 5/11
 482/29
 2005/0079954 A1* 4/2005 Wang A63B 5/11
 482/27
 2006/0189442 A1* 8/2006 Publicover A63B 5/11
 482/27
 2007/0004559 A1* 1/2007 Alexander A63B 5/11
 482/27
 2007/0004560 A1* 1/2007 Nelson A63B 5/11
 482/29
 2008/0314427 A1* 12/2008 Lai A63H 33/008
 135/96
 2012/0077642 A1* 3/2012 Chen A63B 5/11
 482/27
 2012/0289379 A1* 11/2012 Stokes A63B 5/11
 482/27
 2013/0005537 A1* 1/2013 Chen A63B 5/11
 482/27
 2013/0072269 A1* 3/2013 Chen A63B 5/11
 463/7

2013/0109539 A1* 5/2013 Chen A63B 5/11
 482/27
 2014/0038678 A1* 2/2014 Chen A63B 69/0053
 463/7
 2014/0221162 A1* 8/2014 Chen A63B 43/005
 482/27
 2014/0228176 A1* 8/2014 Miller A63B 5/11
 482/27
 2014/0336005 A1* 11/2014 Miller A63B 5/11
 482/27
 2015/0051049 A1* 2/2015 Andon A63B 5/11
 482/29
 2015/0157889 A1* 6/2015 Miller A63B 5/11
 482/27
 2016/0136473 A1* 5/2016 Chen A63B 5/11
 482/29

OTHER PUBLICATIONS

Skytric by Skytric dated Apr. 21, 2014. Found online [Dec. 21, 2016] https://www.amazon.com/SKYTRIC-Trampoline-Enclosure-equipped-ASSEMBLE/product-reviews/B00H3LCH8W/ref=cm_cr_ar_p_d_paging_btm_4?ie=UTF8&reviewerType=avp_only_reviews&showViewpoints=1&sortBy=recent&pageNumber=4.*

* cited by examiner

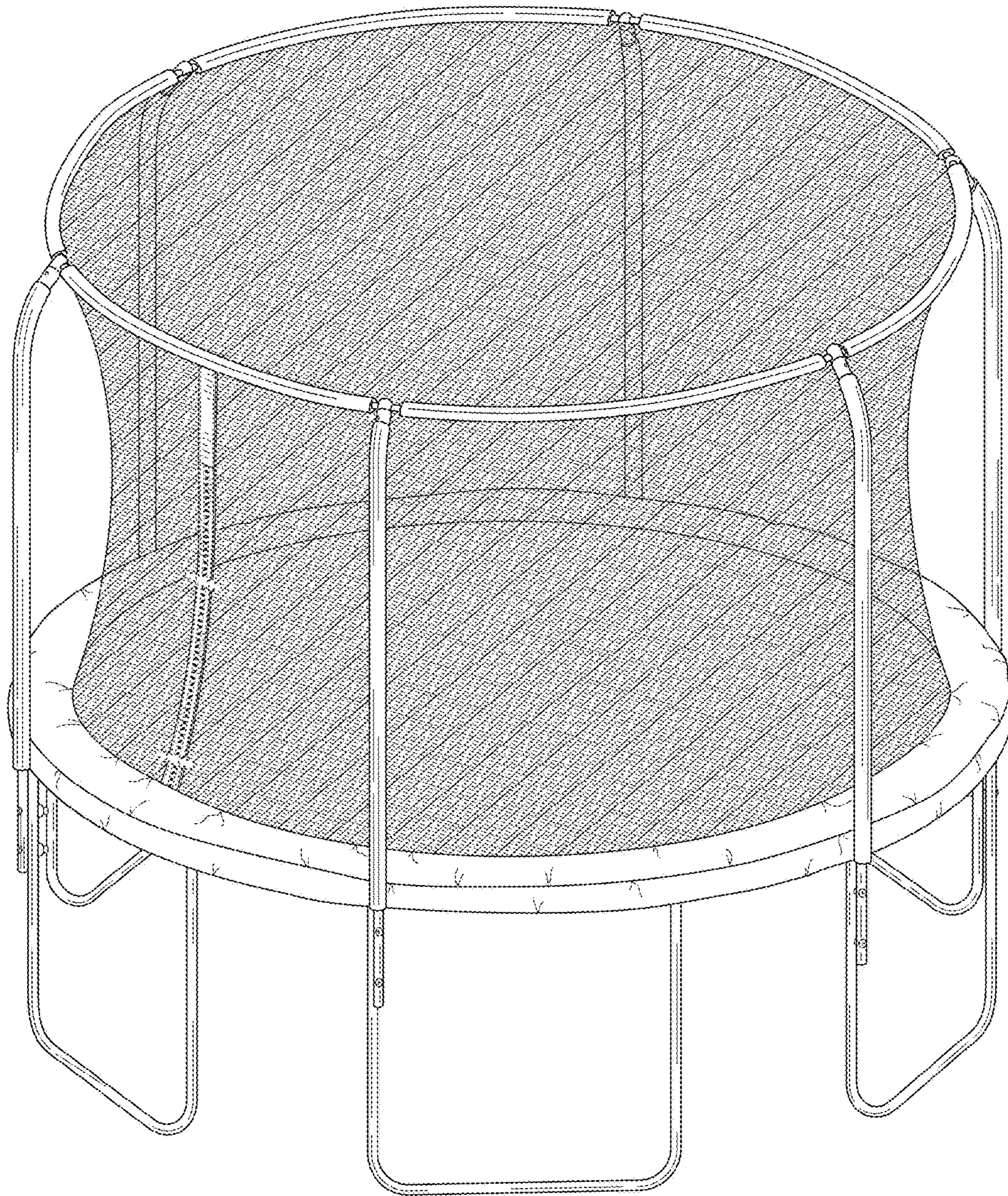


FIG. 1

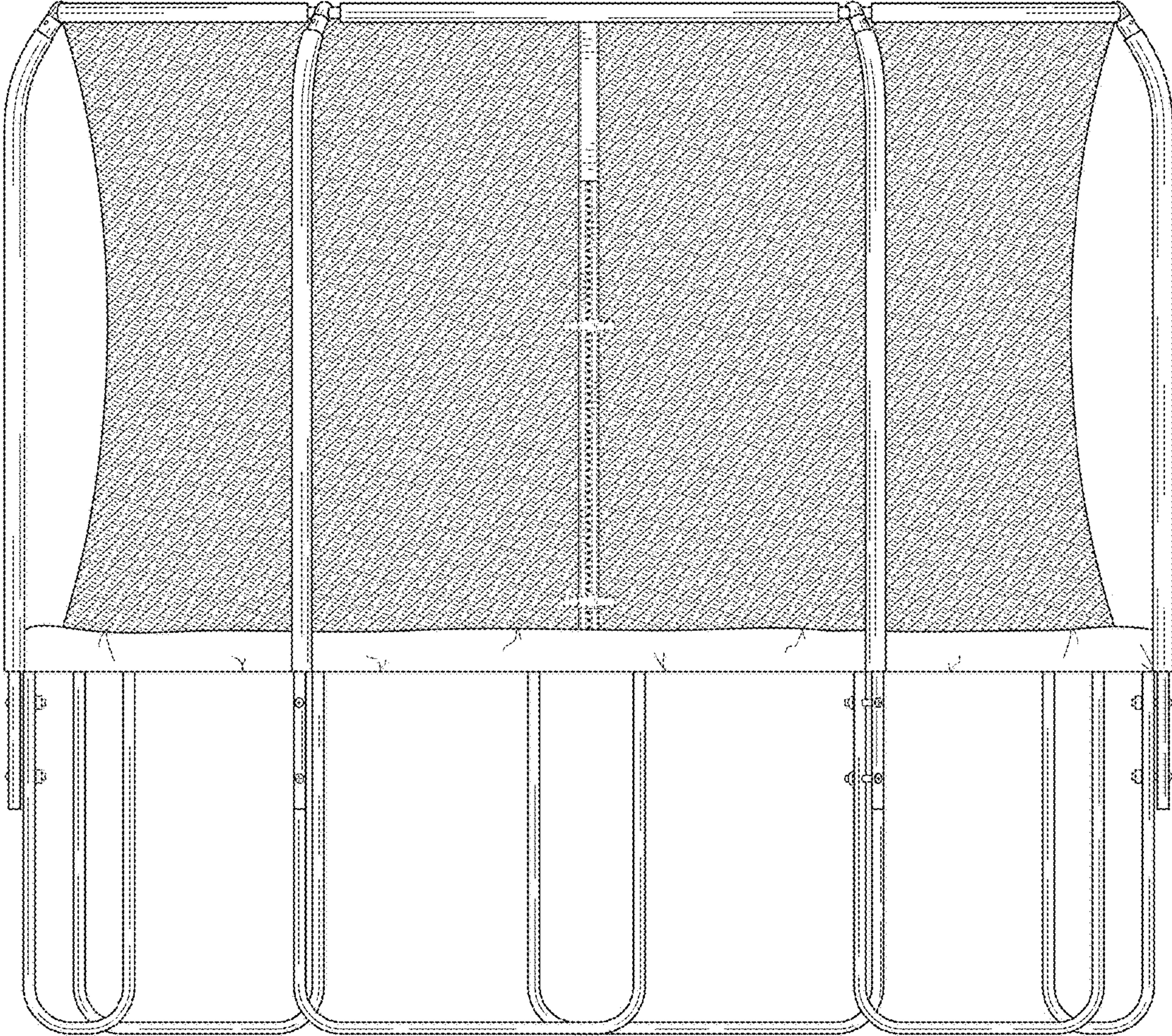


FIG. 2

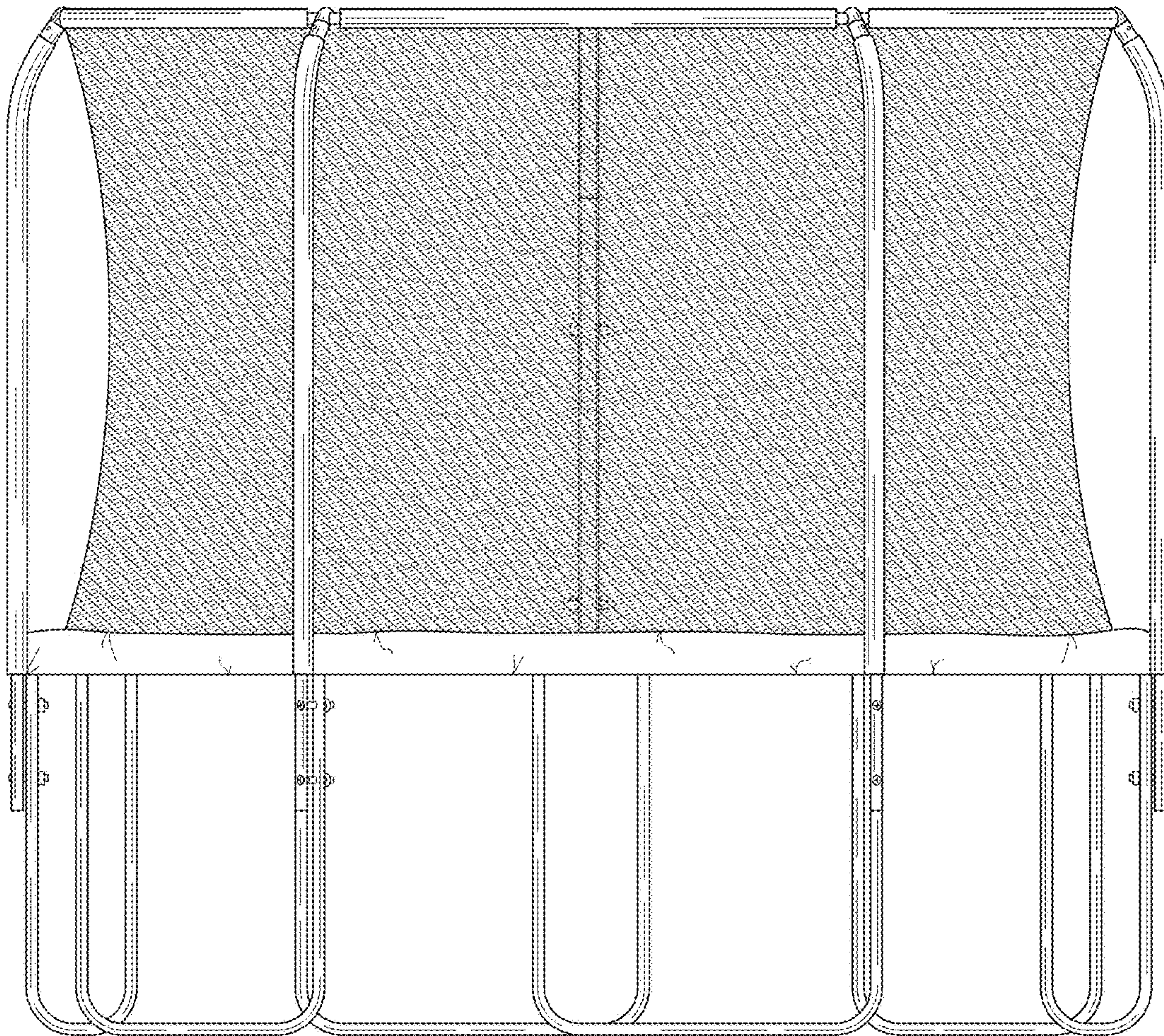


FIG. 3

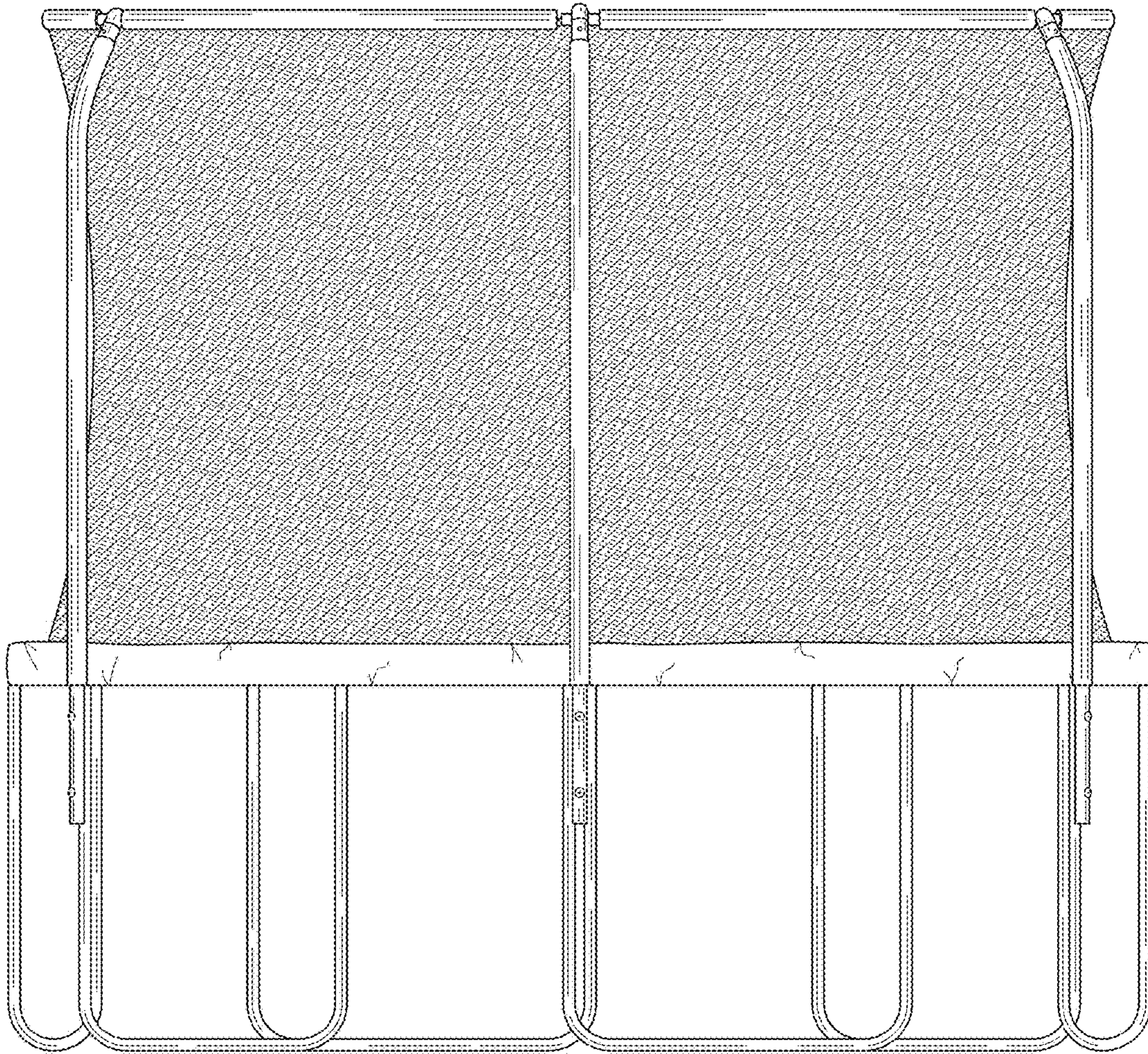


FIG. 4

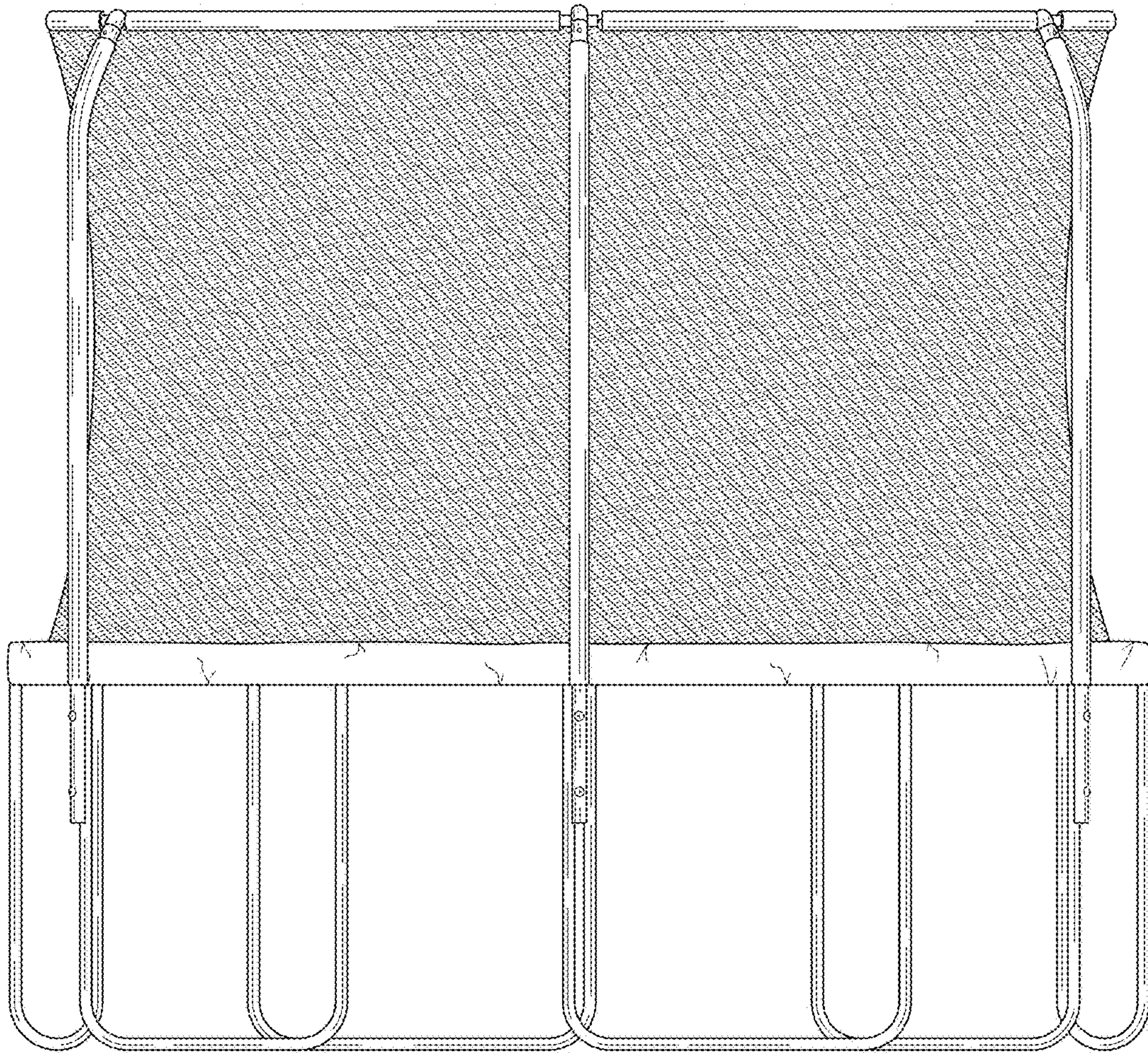


FIG. 5

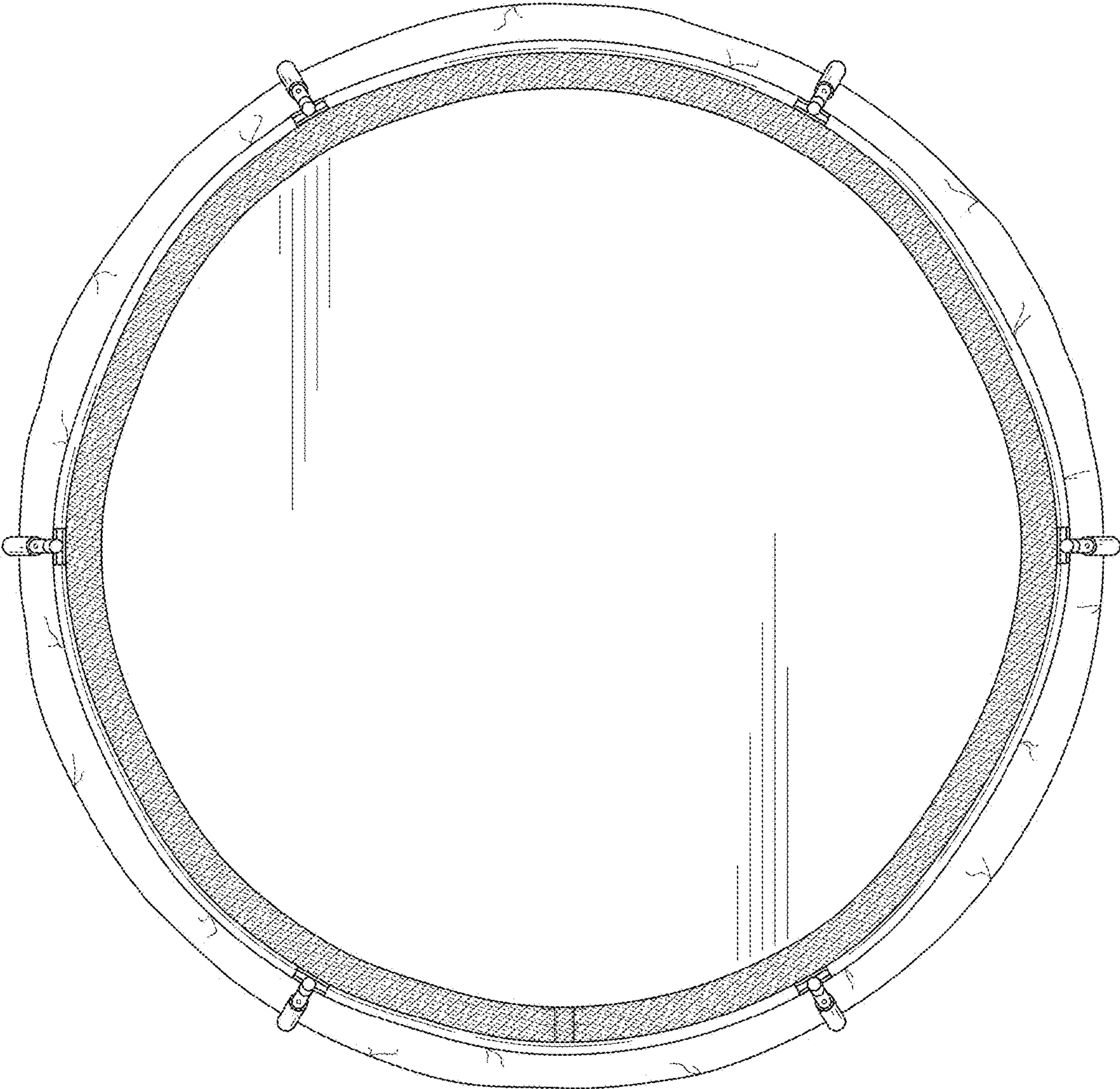


FIG. 6

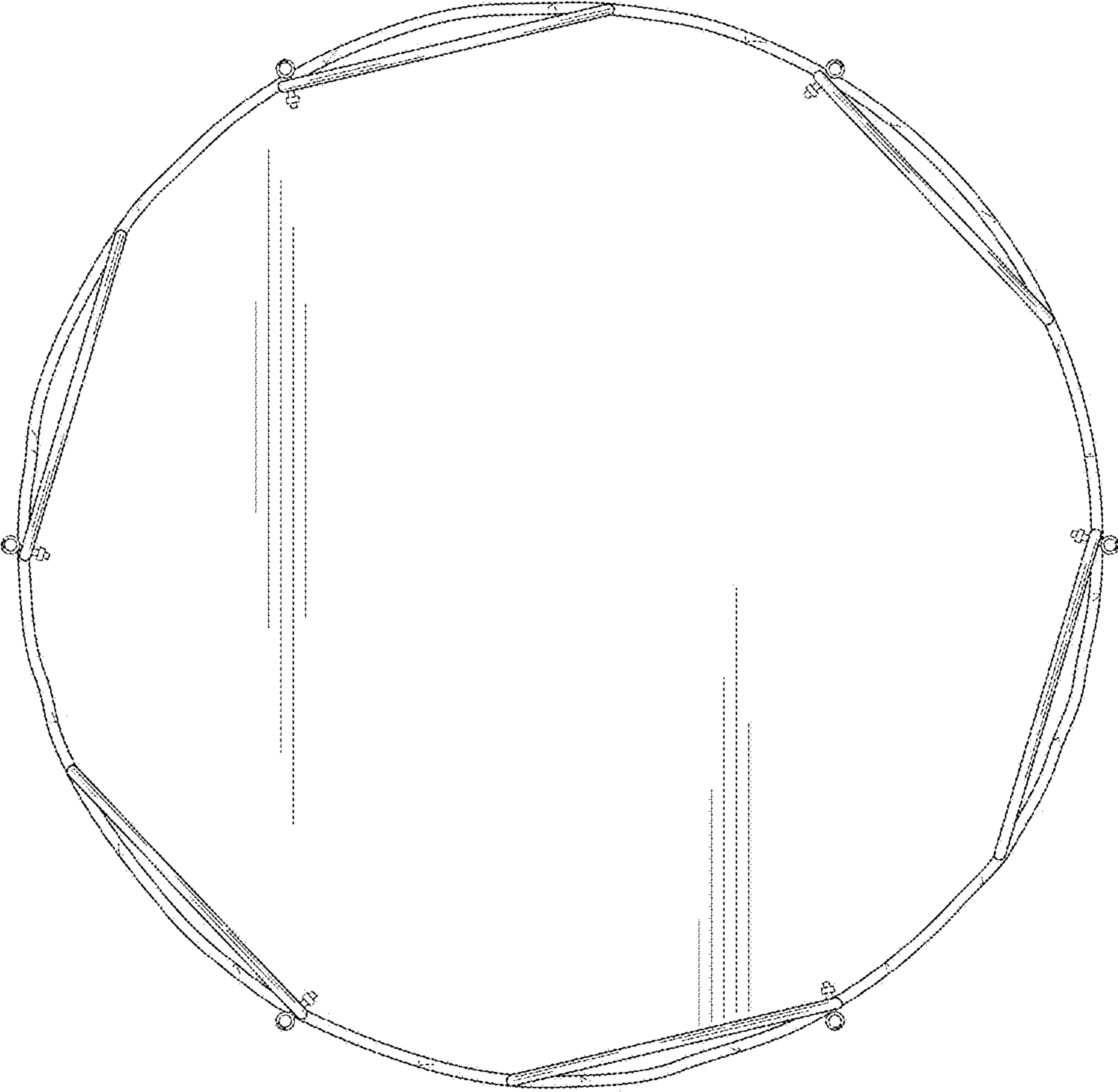


FIG. 7