



US00D785116S

(12) **United States Design Patent**
Pfaff

(10) **Patent No.:** **US D785,116 S**

(45) **Date of Patent:** **** Apr. 25, 2017**

(54) **GOLF PUTTER HEAD TOOL**
(71) Applicant: **PLASTRONICS SOCKET PARTNERS, LTD.**, Irving, TX (US)
(72) Inventor: **Wayne K Pfaff**, Irving, TX (US)
(**) Term: **15 Years**
(21) Appl. No.: **29/561,504**

D519,593 S * 4/2006 Solari D21/791
D548,809 S * 8/2007 Walsh A63B 69/3685
D21/791
D631,523 S * 1/2011 Pingalore D21/789
D663,797 S * 7/2012 Hopkins D21/736
D667,070 S * 9/2012 Balyeat D21/791
D674,453 S * 1/2013 DeLisio D21/791
D681,760 S * 5/2013 Pfaff D21/791
D693,891 S * 11/2013 Sacks D21/759
D750,718 S * 3/2016 Stephens D21/791
9,427,651 B2 * 8/2016 Hamada A63B 69/3685

* cited by examiner

(22) Filed: **Apr. 15, 2016**
(51) **LOC (10) Cl.** **21-02**
(52) **U.S. Cl.**
USPC **D21/791**
(58) **Field of Classification Search**
USPC D21/736-746, 789, 791
CPC A63B 69/3614; A63B 69/3685
See application file for complete search history.

Primary Examiner — Mitchell Siegel
(74) *Attorney, Agent, or Firm* — Mark W Handley

(57) **CLAIM**

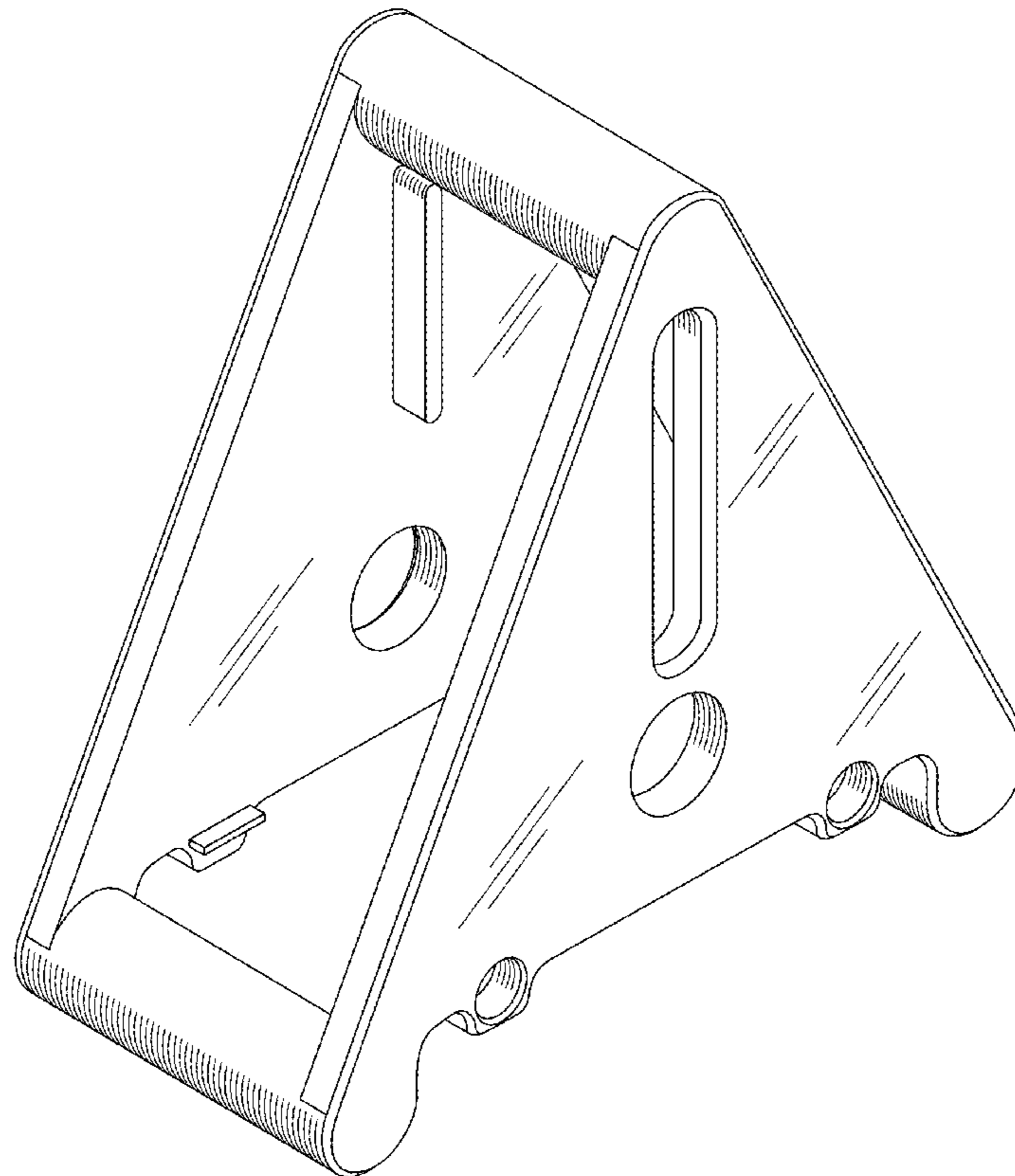
The ornamental design for a golf putter head tool, as shown and described.

DESCRIPTION

FIG. 1 is a perspective view of a golf putter head tool embodying my design;
FIG. 2 is a front view of the golf putter head tool;
FIG. 3 is a rear view of the golf putter head tool;
FIG. 4 is a top view of the golf putter head tool;
FIG. 5 is a bottom view of the golf putter head tool;
FIG. 6 is a left view of the golf putter head tool; and,
FIG. 7 is a right view of the golf putter head tool.

(56) **References Cited**
U.S. PATENT DOCUMENTS
D111,855 S * 10/1938 Moreno D21/759
D150,497 S * 8/1948 Forsell D21/759
D205,041 S * 6/1966 Capps D21/759
4,002,343 A * 1/1977 Eckert A63B 69/3685
473/251
D360,446 S * 7/1995 Juliano D21/759
6,095,930 A * 8/2000 Siddall A63B 69/3685
473/240

1 Claim, 5 Drawing Sheets



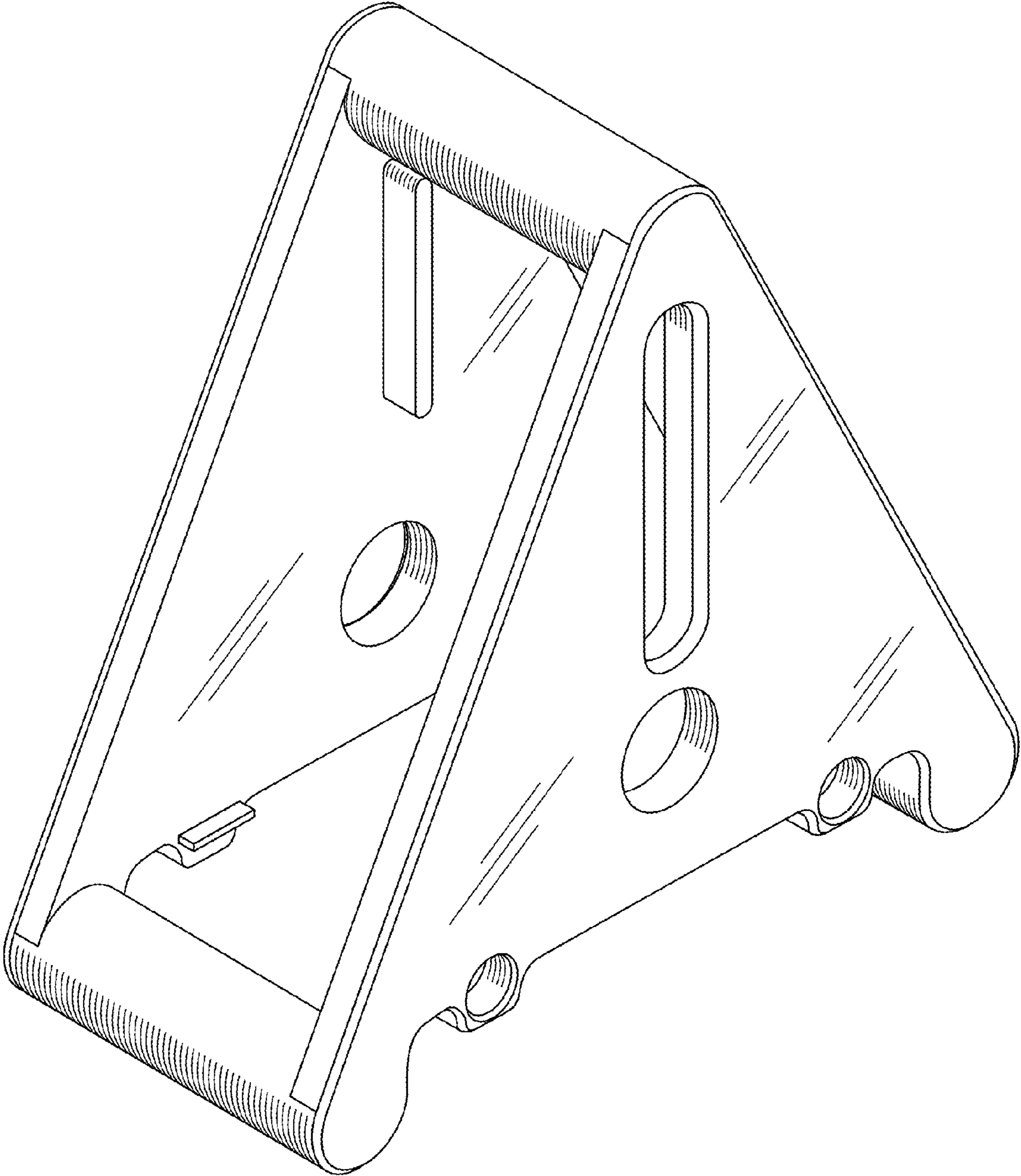


FIG. 1

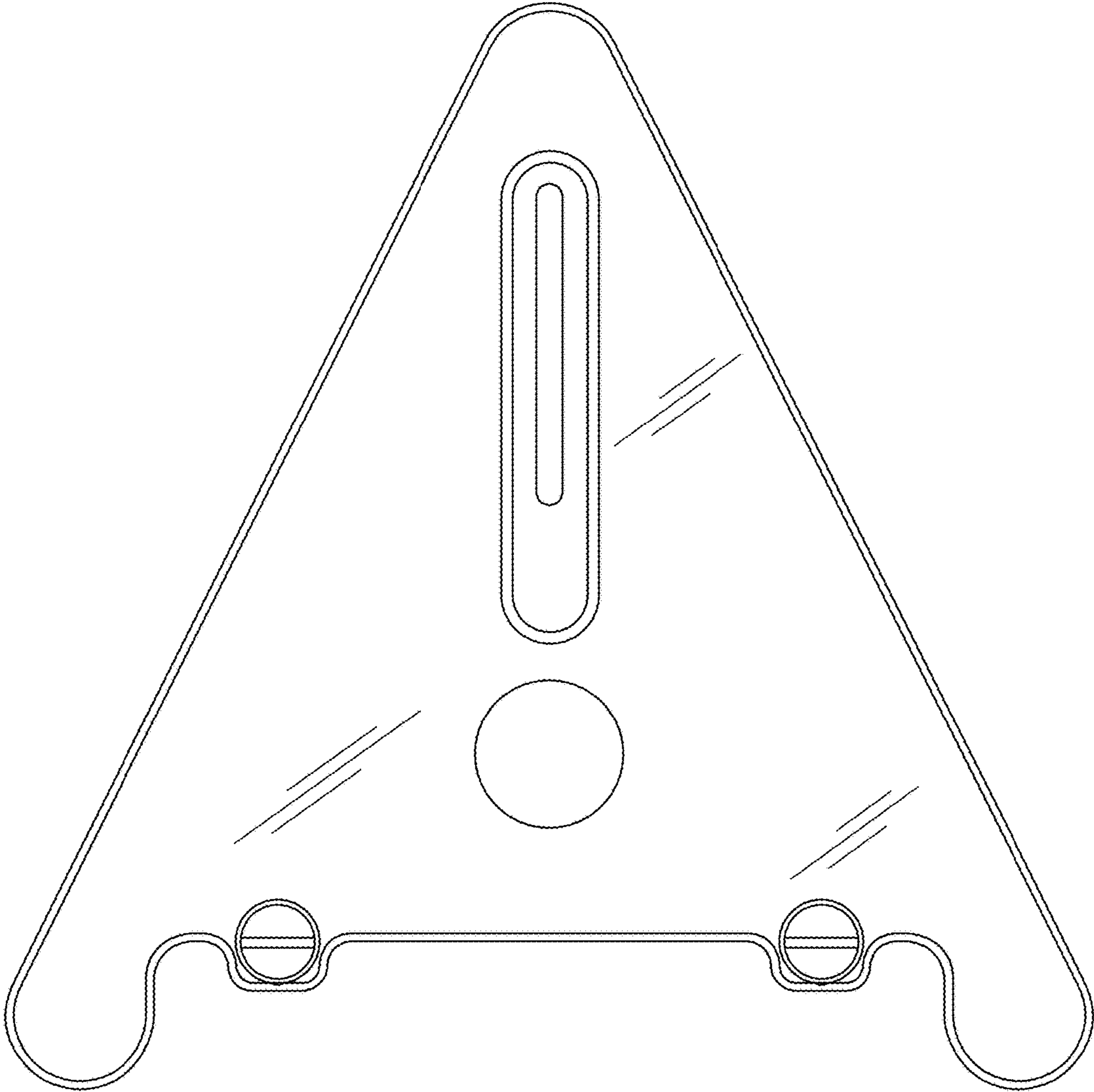


FIG. 2

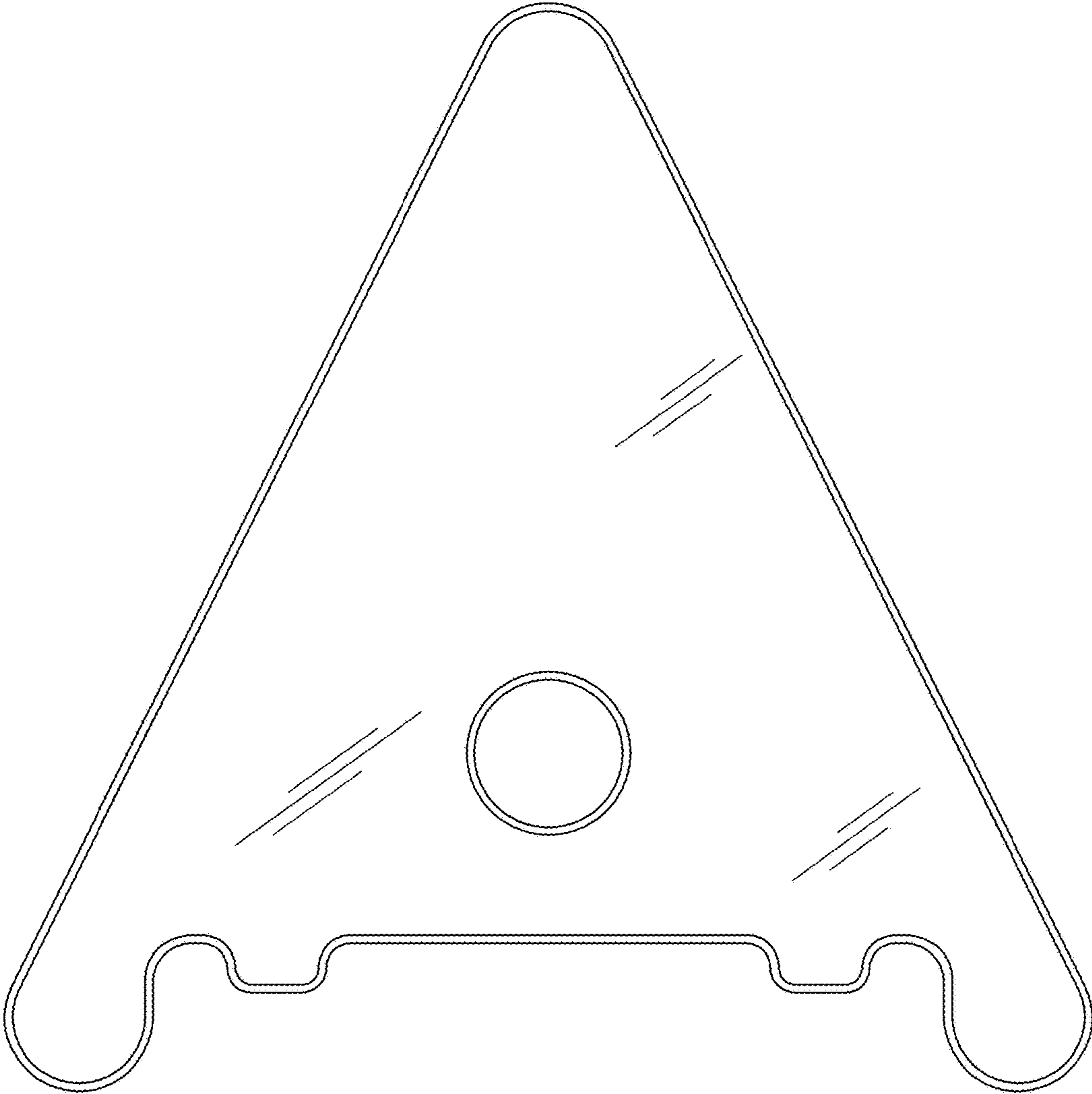


FIG. 3

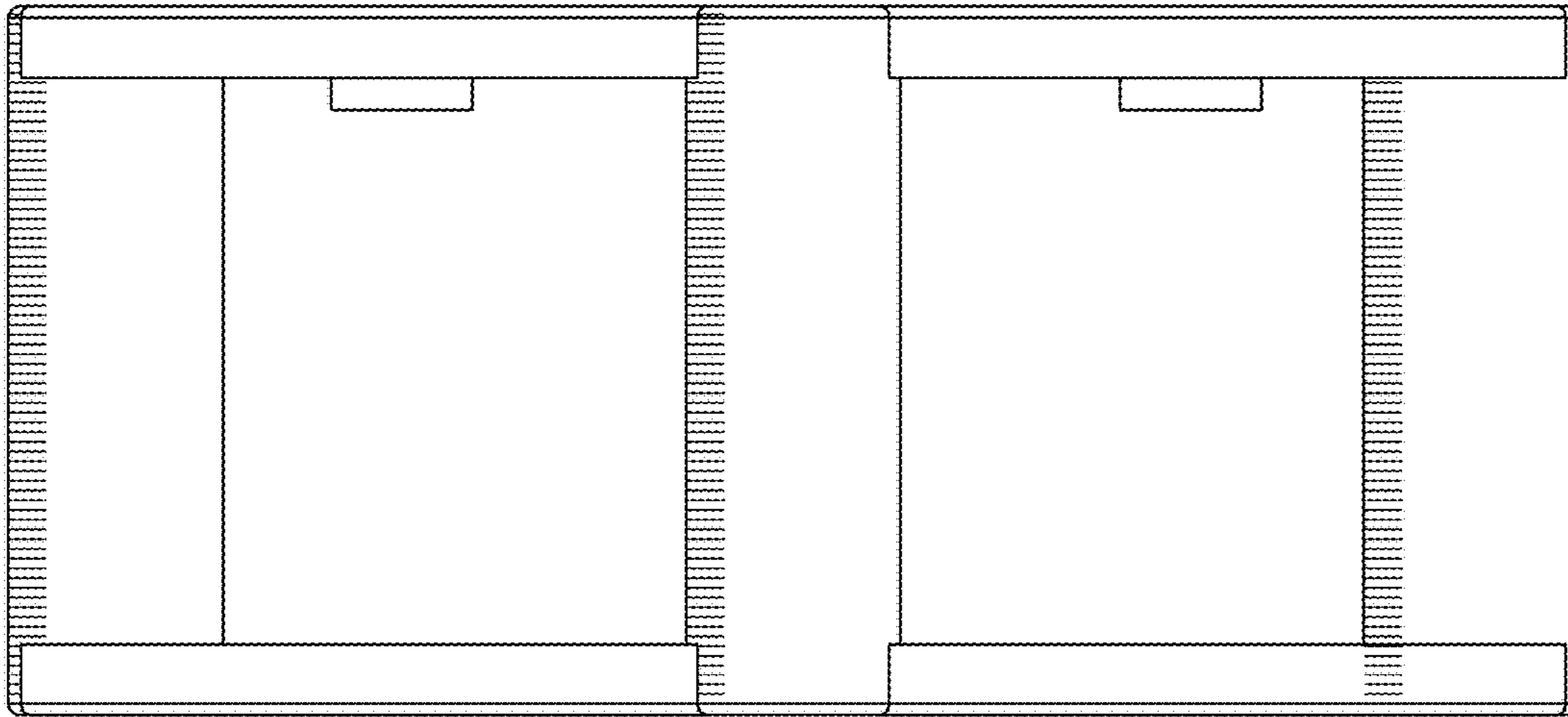


FIG. 4

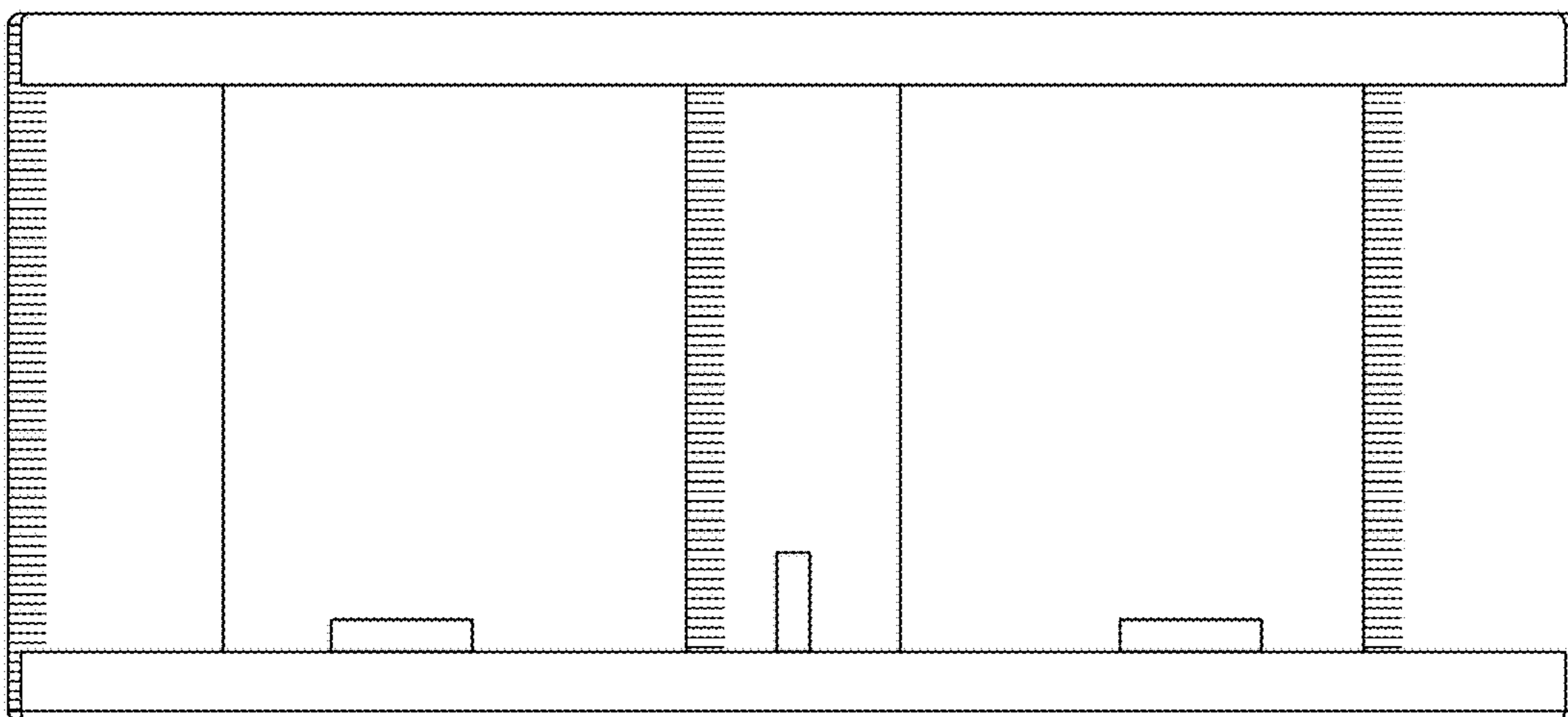


FIG. 5

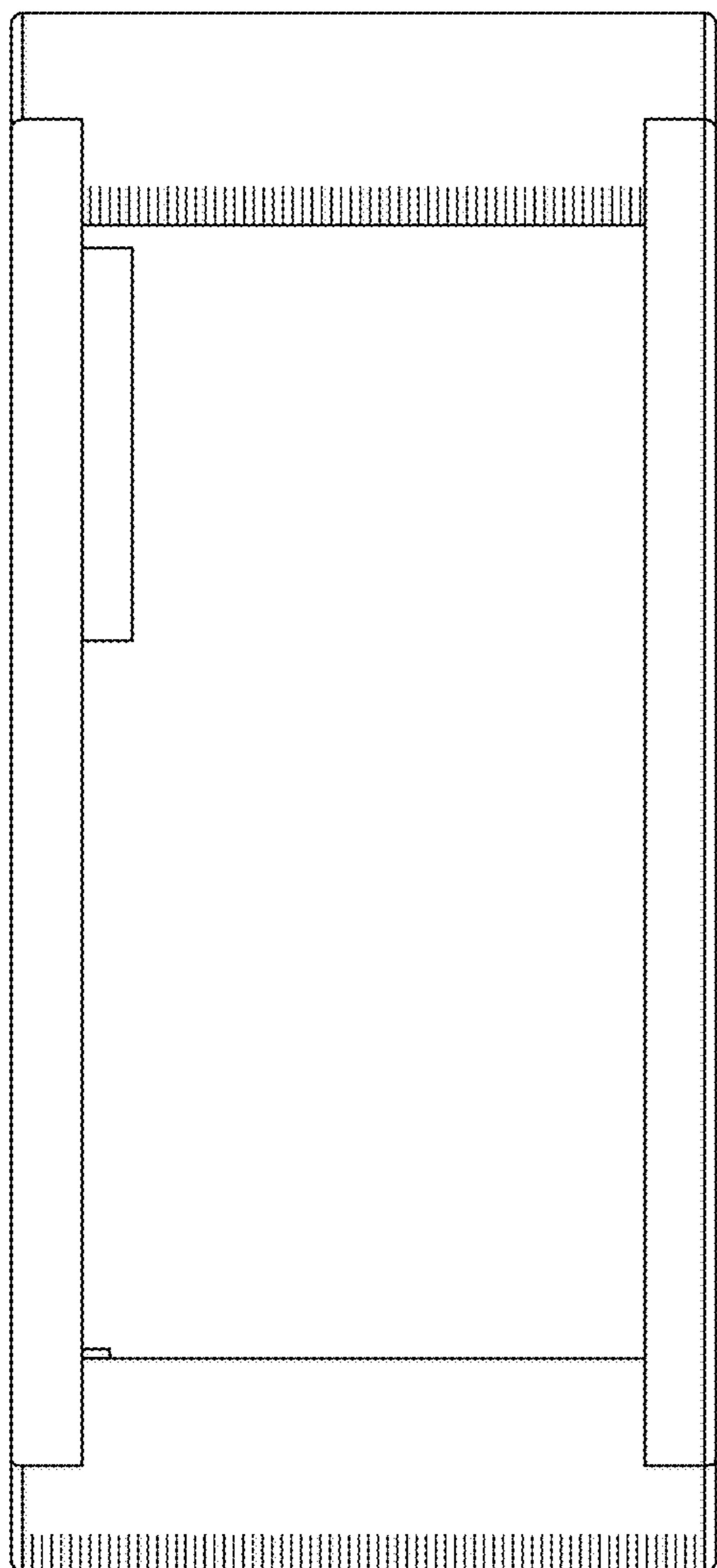


FIG. 6

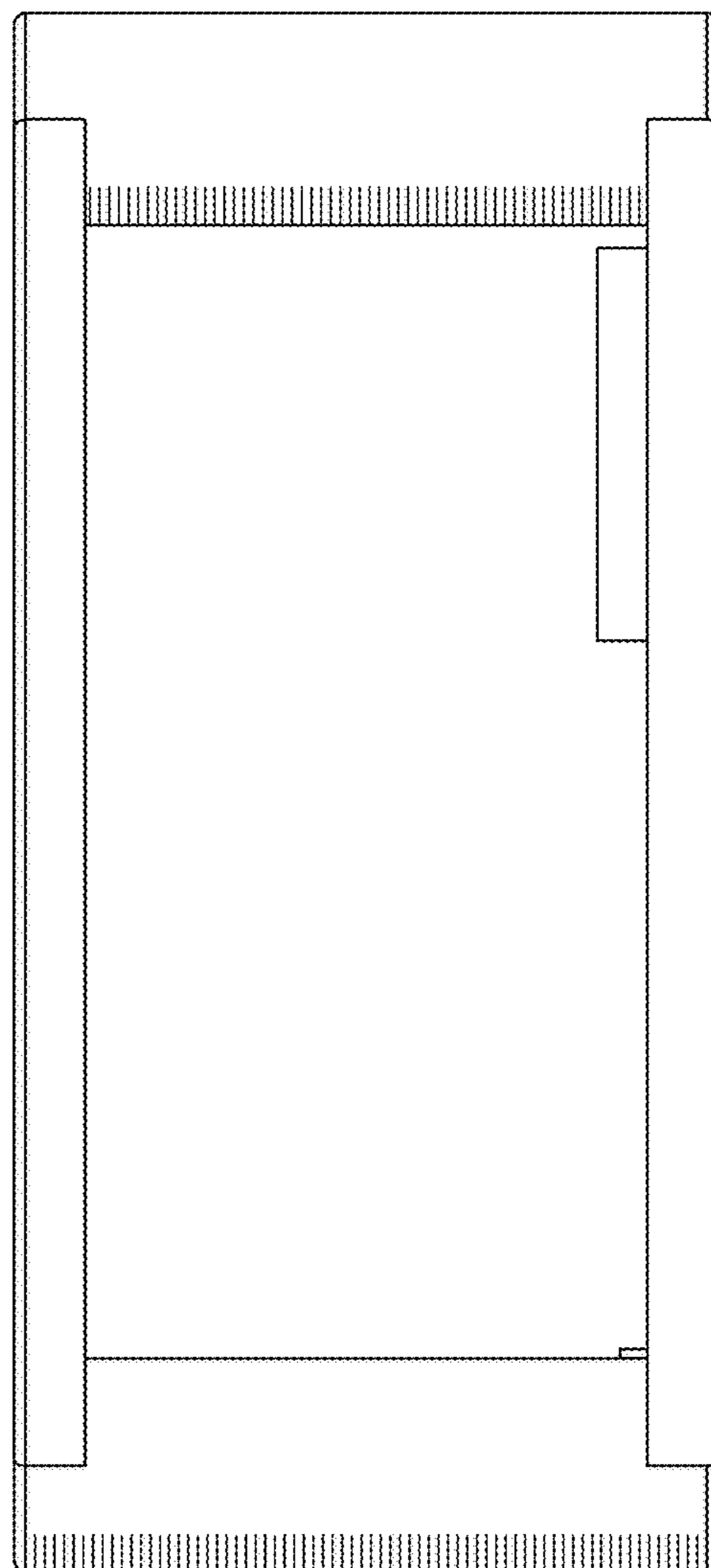


FIG. 7