



US00D785110S

(12) **United States Design Patent**  
**Warren**

(10) **Patent No.:** **US D785,110 S**

(45) **Date of Patent:** **\*\* Apr. 25, 2017**

(54) **GOLF CLUB**

(71) Applicant: **William J Warren**, Frisco, TX (US)

(72) Inventor: **William J Warren**, Frisco, TX (US)

(\*\*) Term: **15 Years**

(21) Appl. No.: **29/557,835**

(22) Filed: **Mar. 11, 2016**

(51) **LOC (10) Cl.** ..... **21-02**

(52) **U.S. Cl.**  
USPC ..... **D21/743**

(58) **Field of Classification Search**  
USPC ..... D21/736-746, 759  
CPC ..... A63B 53/00; A63B 53/04; A63B 53/007;  
A63B 53/065; A63B 53/0487  
See application file for complete search history.

(56) **References Cited**

**U.S. PATENT DOCUMENTS**

D306,630 S \* 3/1990 Dinte ..... D21/743  
D375,988 S \* 11/1996 Phillips ..... D21/743  
D405,836 S \* 2/1999 Nicolette ..... D21/736

D449,865 S \* 10/2001 Fife, Jr. .... D21/736  
D460,136 S \* 7/2002 Chambers, Sr. .... D21/742  
D472,949 S \* 4/2003 Serrano ..... D21/736  
D752,697 S \* 3/2016 Claveran ..... D21/736

\* cited by examiner

*Primary Examiner* — Mitchell Siegel

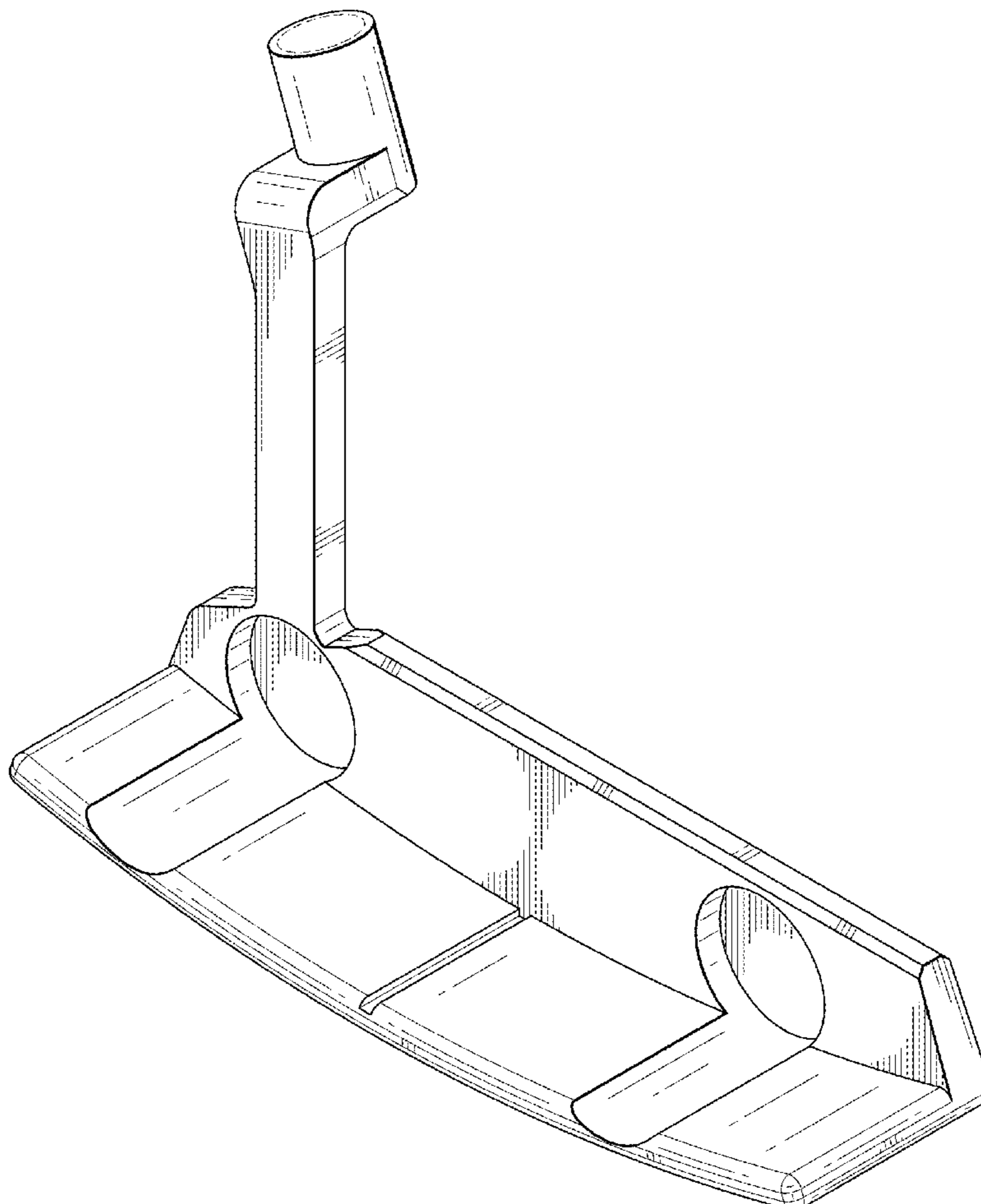
(57) **CLAIM**

The ornamental design for a golf club, as shown.

**DESCRIPTION**

FIG. 1 is a rear perspective view of a golf club showing my new design;  
FIG. 2 is a rear elevational view thereof;  
FIG. 3 is a front elevational view thereof;  
FIG. 4 is a left side elevational view thereof;  
FIG. 5 is a right side elevational view thereof;  
FIG. 6 is a top plan view thereof;  
FIG. 7 is a bottom plan view thereof; and,  
FIG. 8 is front perspective view thereof.  
The broken line showing of is included for the purpose of illustrating and forms no part of the claimed design.

**1 Claim, 7 Drawing Sheets**



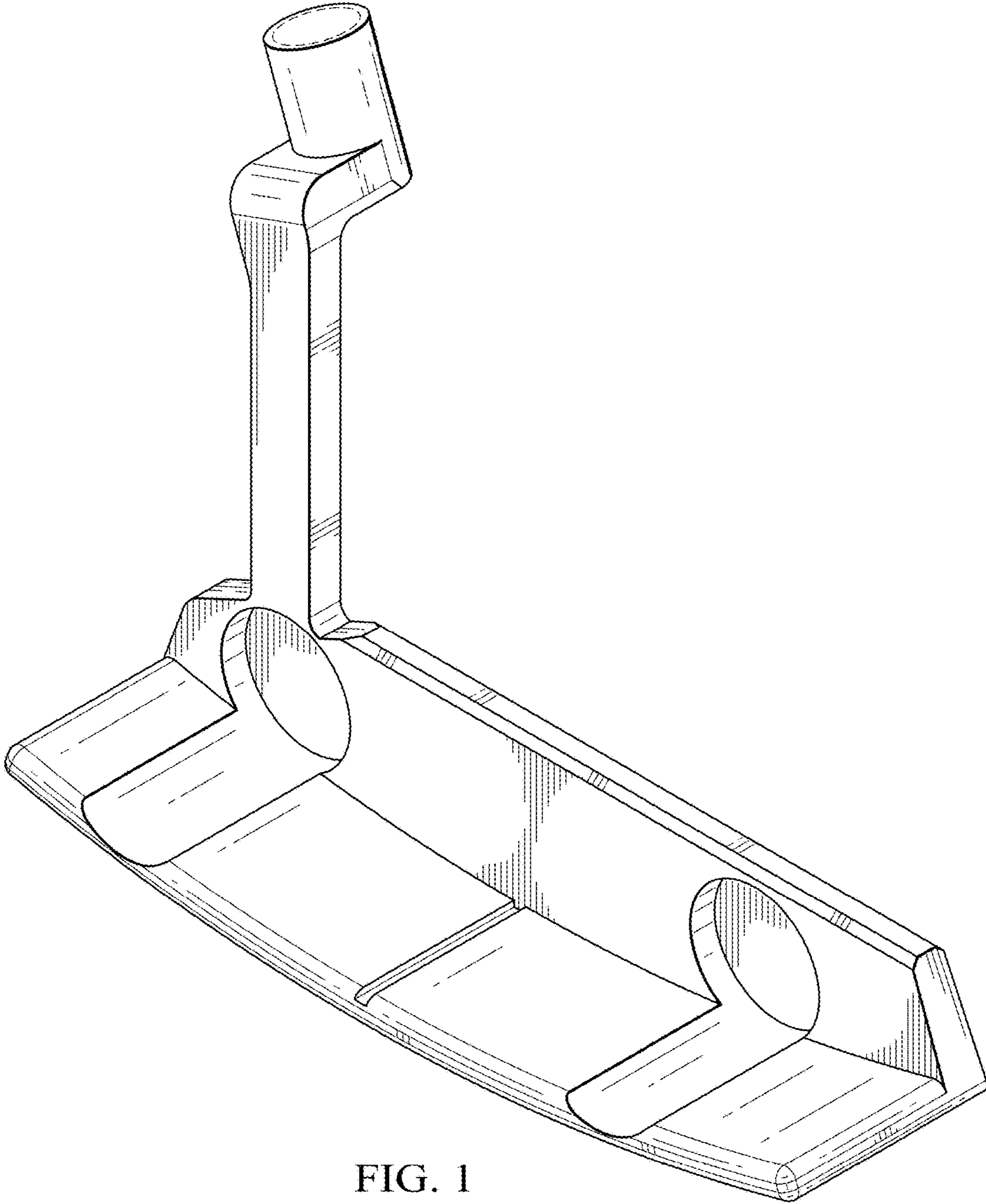


FIG. 1

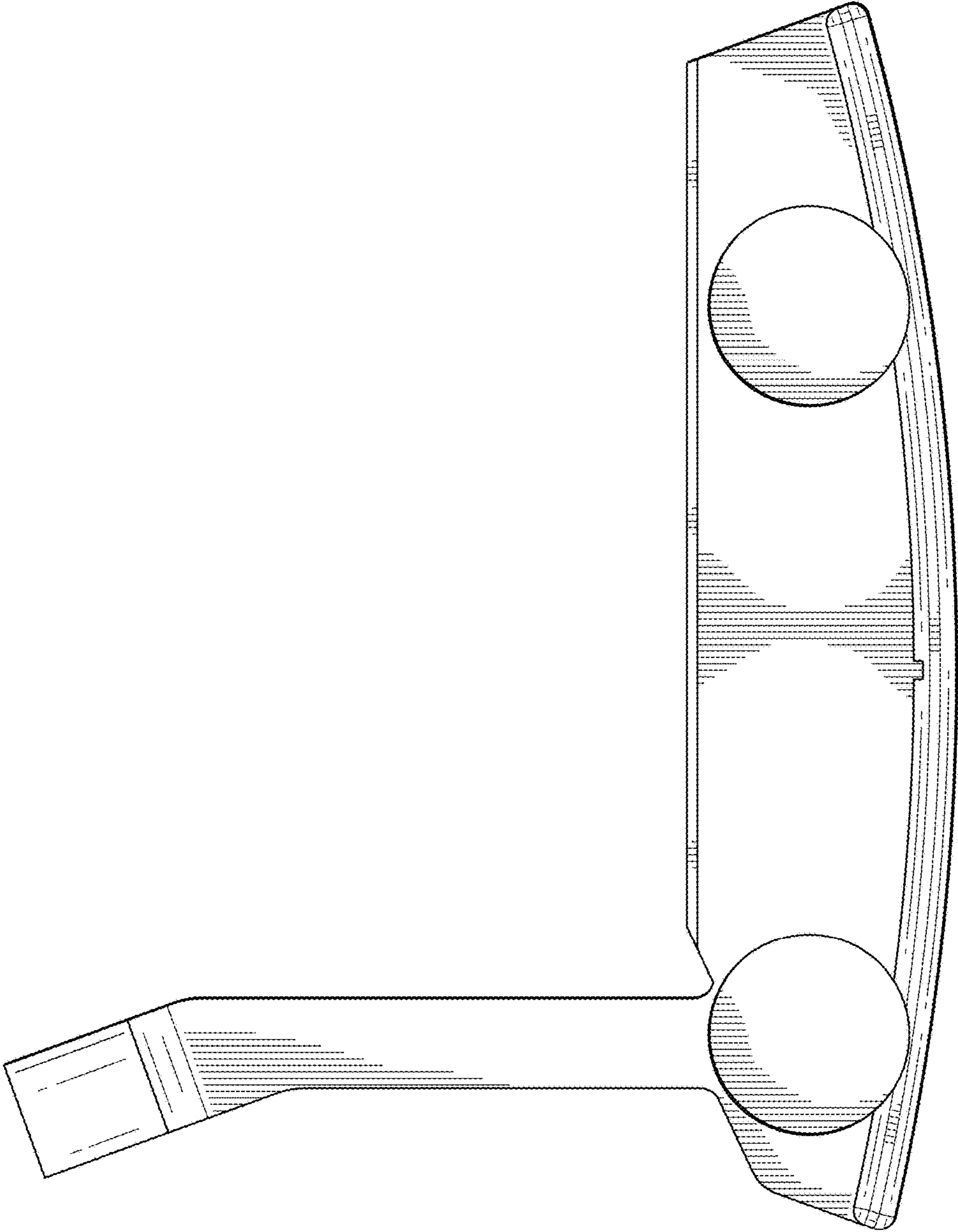


FIG. 2

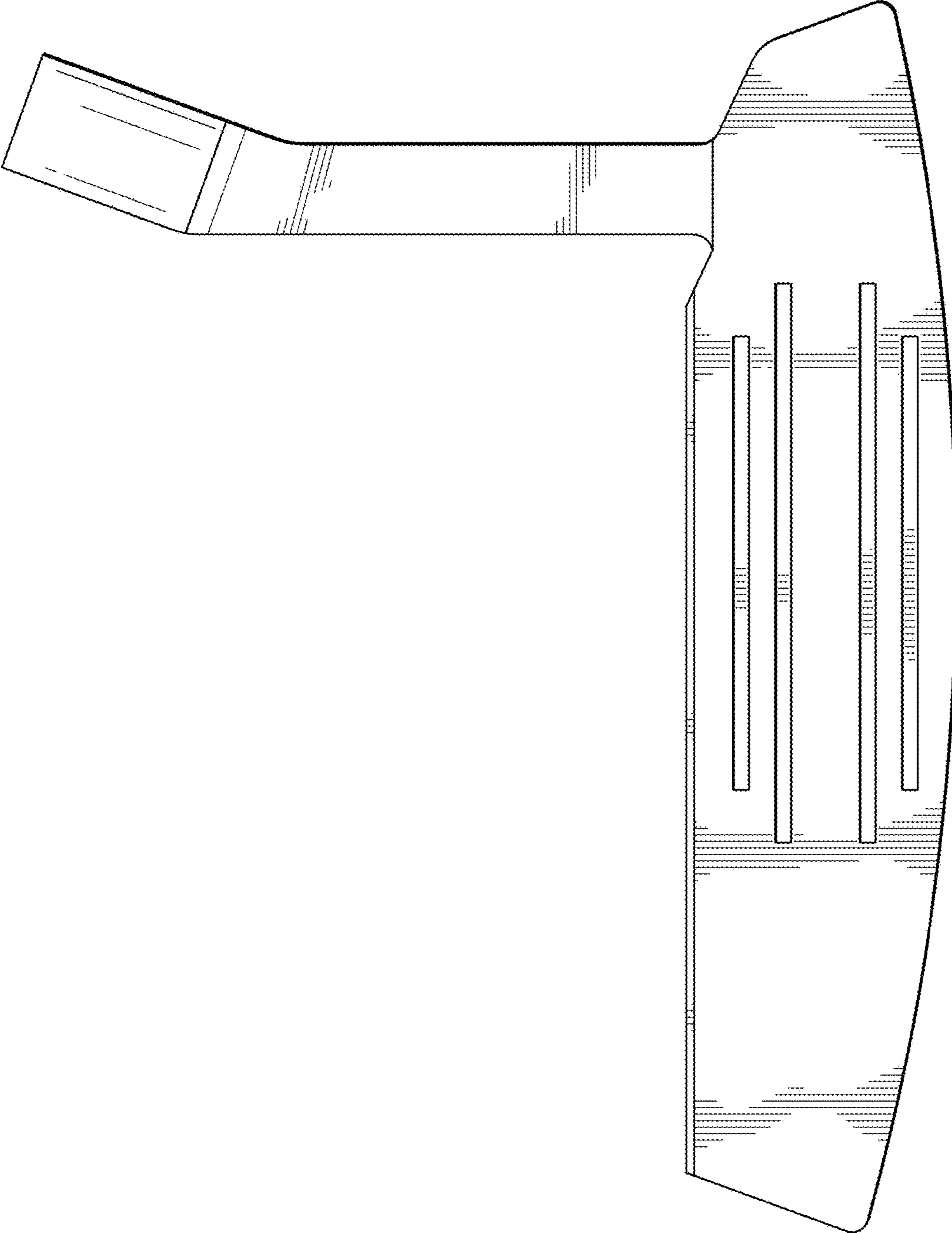


FIG. 3

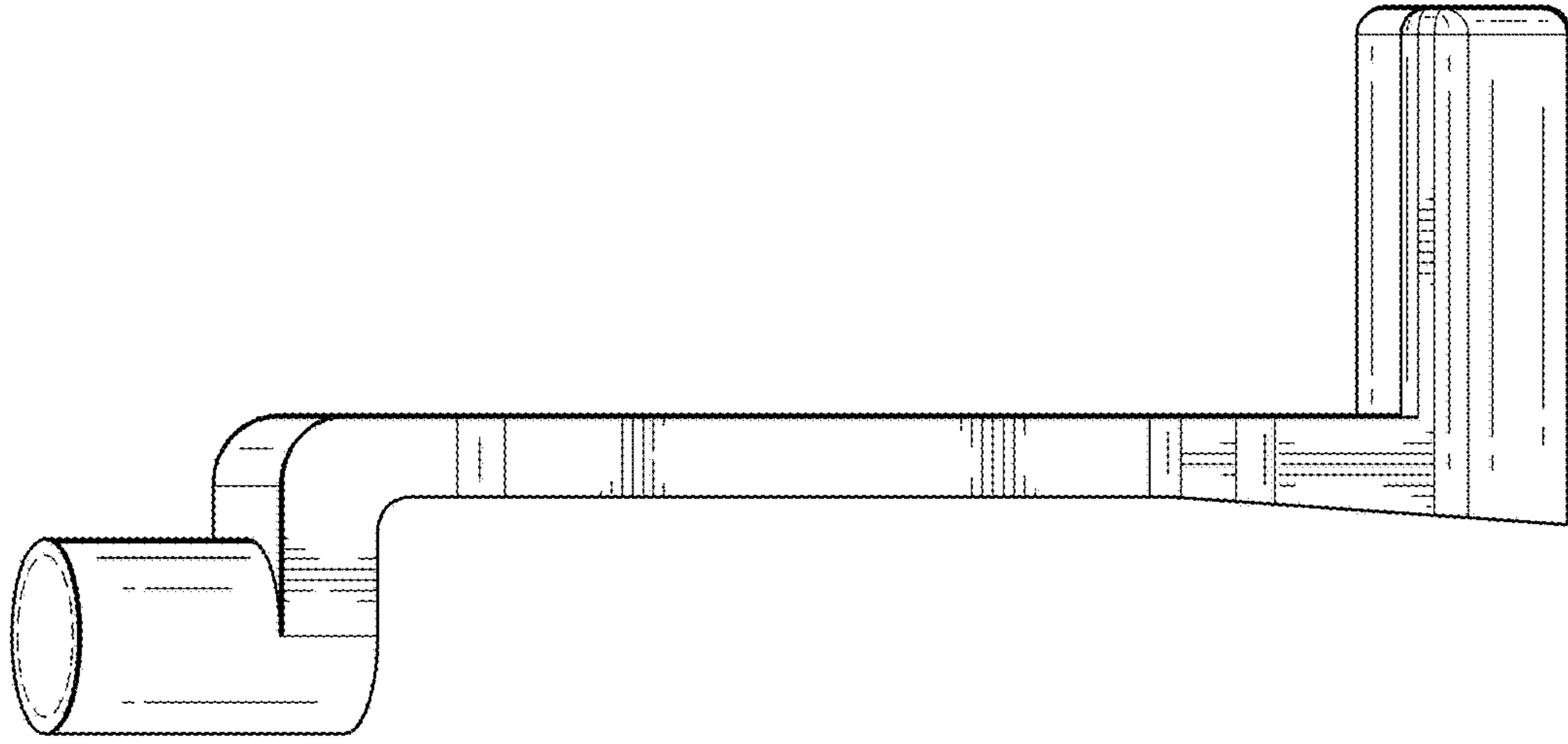


FIG. 5

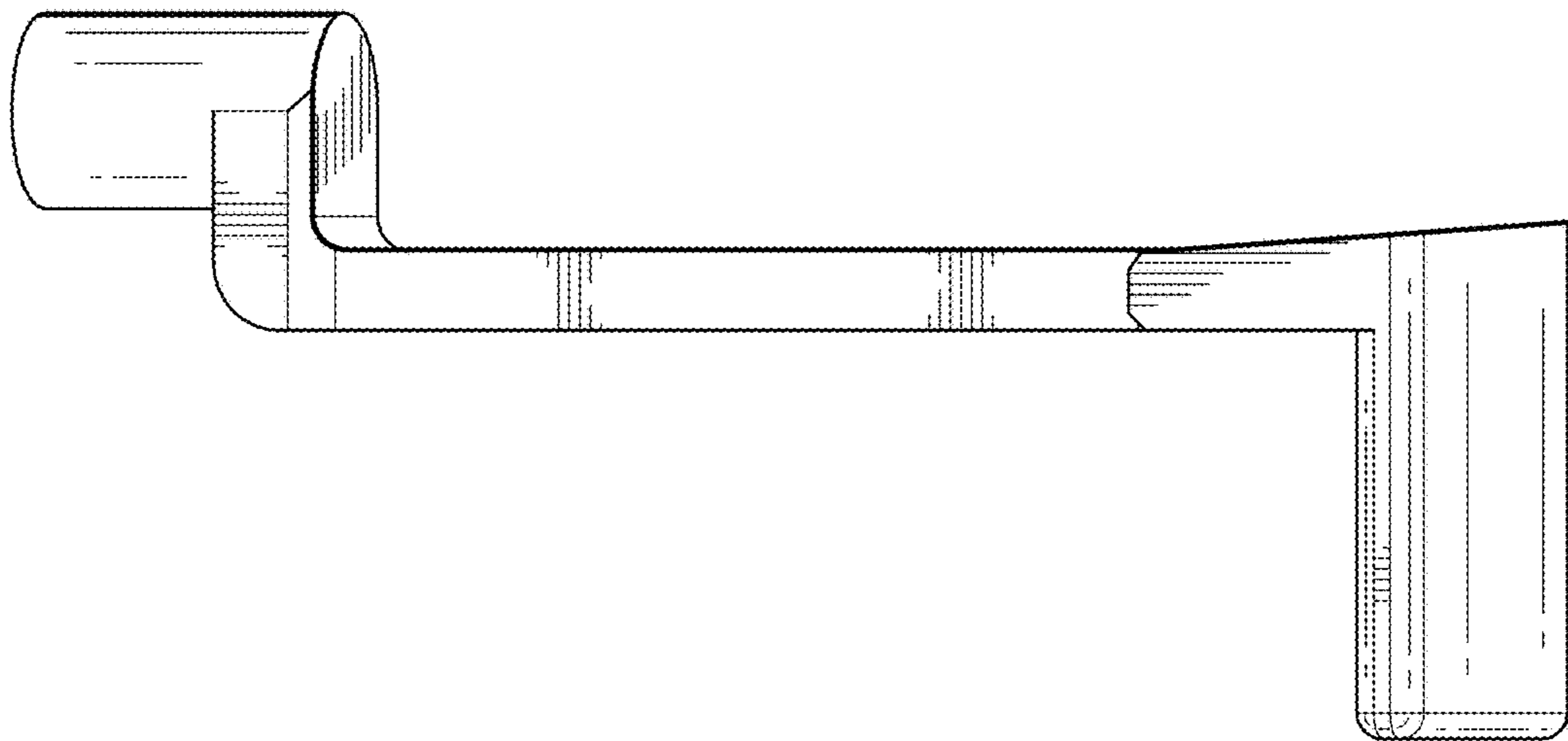


FIG. 4

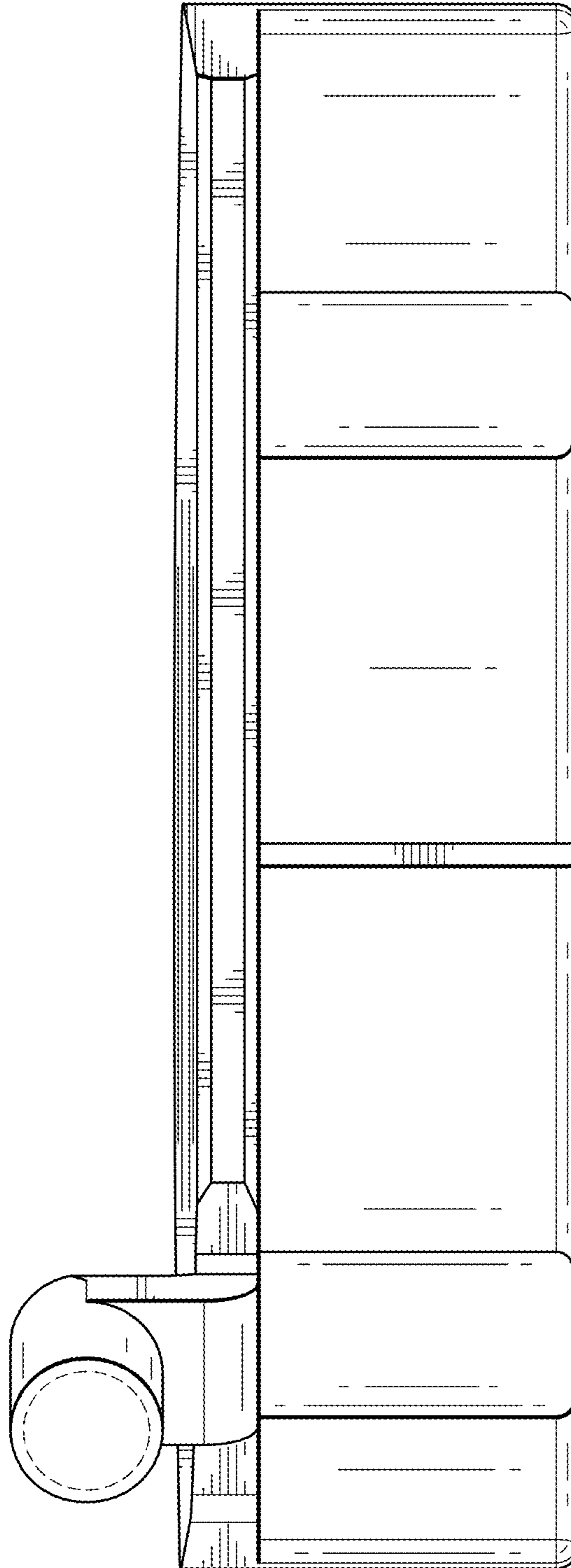


FIG. 6

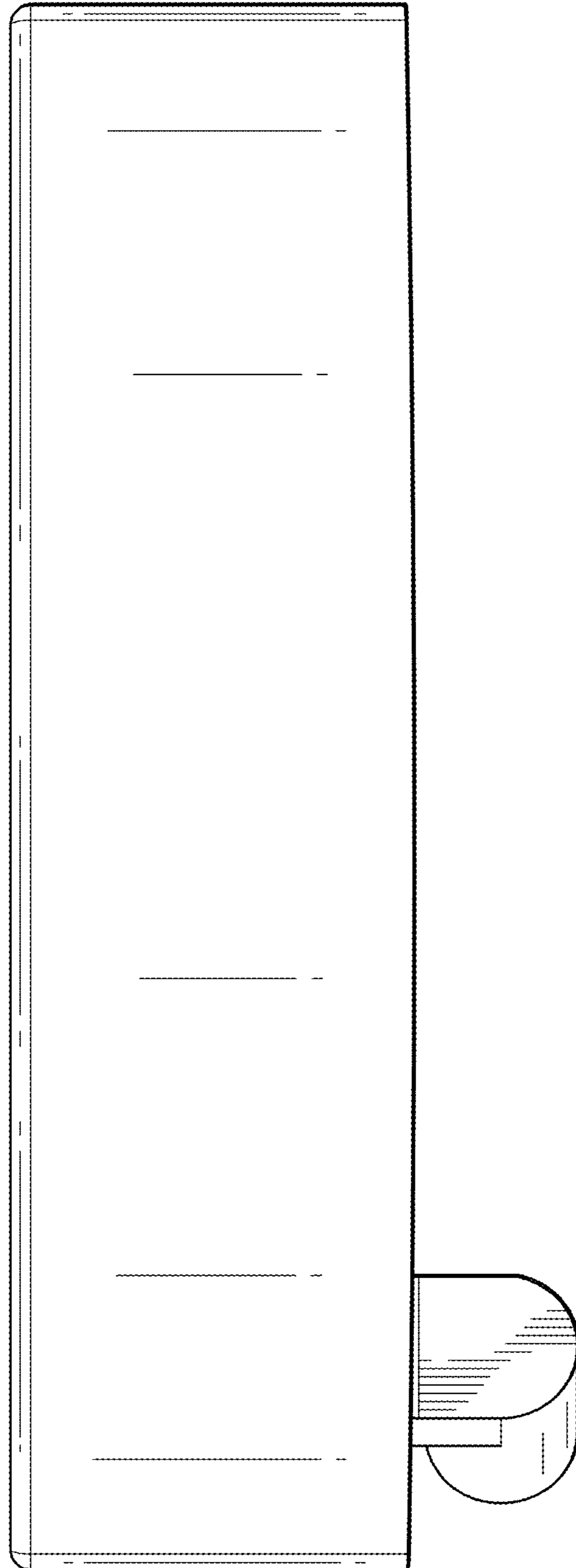


FIG. 7

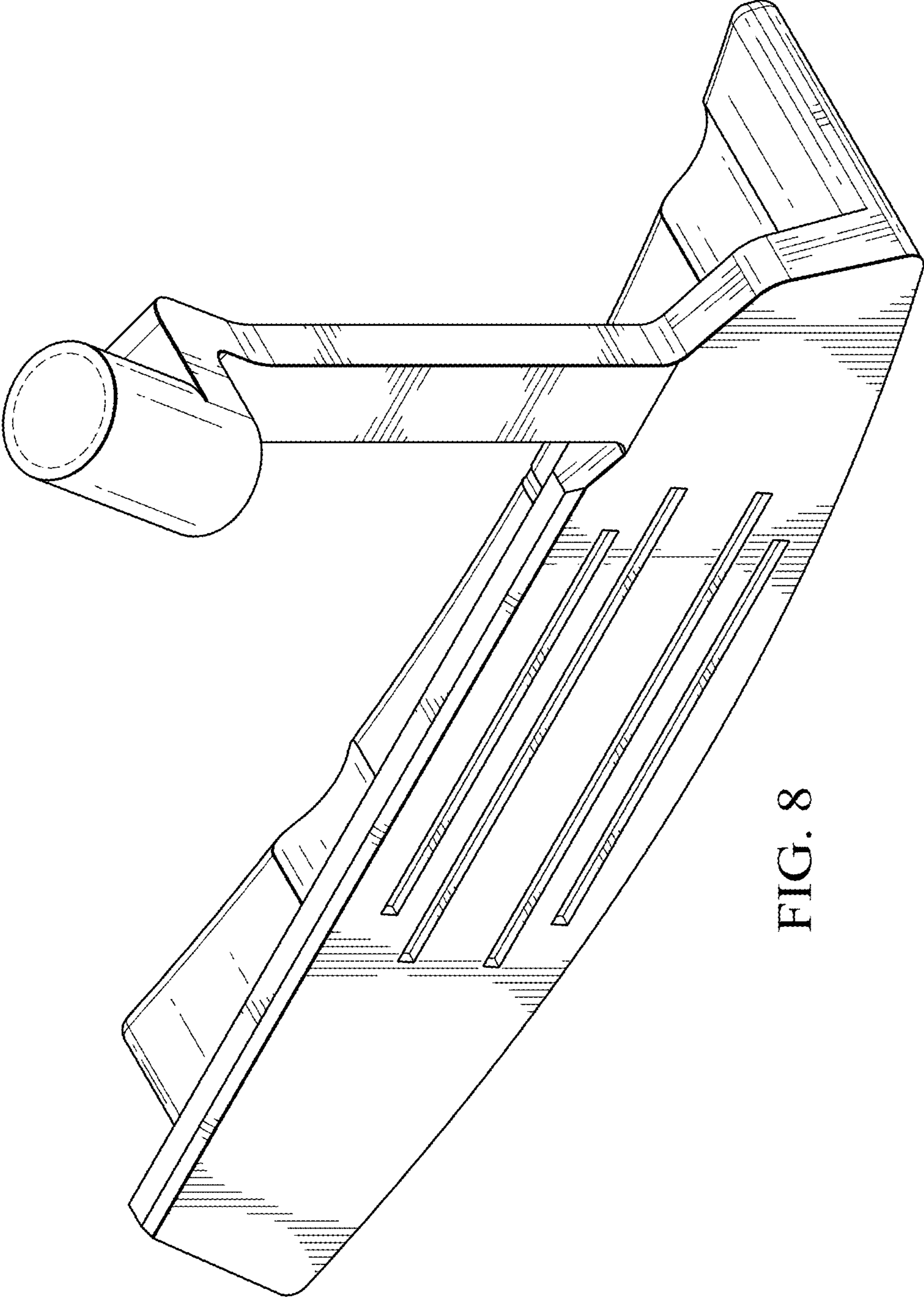


FIG. 8