



US00D785108S

(12) **United States Design Patent**  
**Wagner**

(10) **Patent No.:** **US D785,108 S**

(45) **Date of Patent:** **\*\* Apr. 25, 2017**

- (54) **FOOTBALL LACING**
- (71) Applicant: **Wilson Sporting Goods Co., Chicago, IL (US)**
- (72) Inventor: **Allen G. Wagner, Chicago, IL (US)**
- (73) Assignee: **Wilson Sporting Goods Co., Chicago, IL (US)**
- (\*\*) Term: **15 Years**
- (21) Appl. No.: **29/554,725**
- (22) Filed: **Feb. 15, 2016**
- (51) **LOC (10) Cl.** ..... **21-02**
- (52) **U.S. Cl.**  
USPC ..... **D21/712**
- (58) **Field of Classification Search**  
USPC ..... D21/707-714, 662; D30/160; D11/75, D11/76, 62, 121; D26/1-4, 40, 122, 123, D26/131, 134, 154; 473/569-577, 473/593-615  
CPC . A63B 37/00; A63B 37/0003; A63B 37/0005; A63B 37/0006; A63B 37/0007; A63B 37/0009; A63B 37/0011; A63B 37/0097; A63B 37/0098; A63B 37/14; A63B 37/12; A63B 39/00; A63B 39/06; A63B 39/08; A63B 2039/003; A63B 2039/006; A63B 41/00; A63B 41/08; A63B 41/085; A63B 43/02; A63B 43/002; A63B 43/008; A63B 43/06; A63B 2043/001  
See application file for complete search history.

- (56) **References Cited**  
U.S. PATENT DOCUMENTS  
590,421 A \* 9/1897 Manley ..... A63B 41/08 473/599  
653,175 A \* 7/1900 Gamble ..... A63B 69/201 473/575

- 1,002,928 A \* 9/1911 Pierce ..... A63B 41/08 473/599
- 1,355,271 A \* 10/1920 Roberts ..... 137/232
- 1,385,095 A \* 7/1921 Roberts ..... F16K 15/20 473/603
- 4,241,918 A \* 12/1980 Massino ..... A63B 37/00 273/DIG. 9
- RE34,383 E \* 9/1993 Rohring ..... A63B 43/00 273/DIG. 30
- 5,480,144 A \* 1/1996 Downing ..... A63B 41/085 473/599
- D401,293 S \* 11/1998 Alarid, Jr. .... D21/712
- 5,888,157 A 3/1999 Guenther et al.
- D457,208 S 5/2002 Murphy et al.
- D480,774 S 10/2003 Murphy et al.
- 6,629,902 B2 10/2003 Murphy et al.
- 6,761,654 B2 7/2004 Murphy et al.
- 6,767,300 B2 7/2004 Murphy et al.
- 6,964,625 B2 11/2005 Murphy et al.
- D570,431 S 6/2008 Krysiak

(Continued)

*Primary Examiner* — Catherine Tuttle  
(74) *Attorney, Agent, or Firm* — Terence P. O'Brien

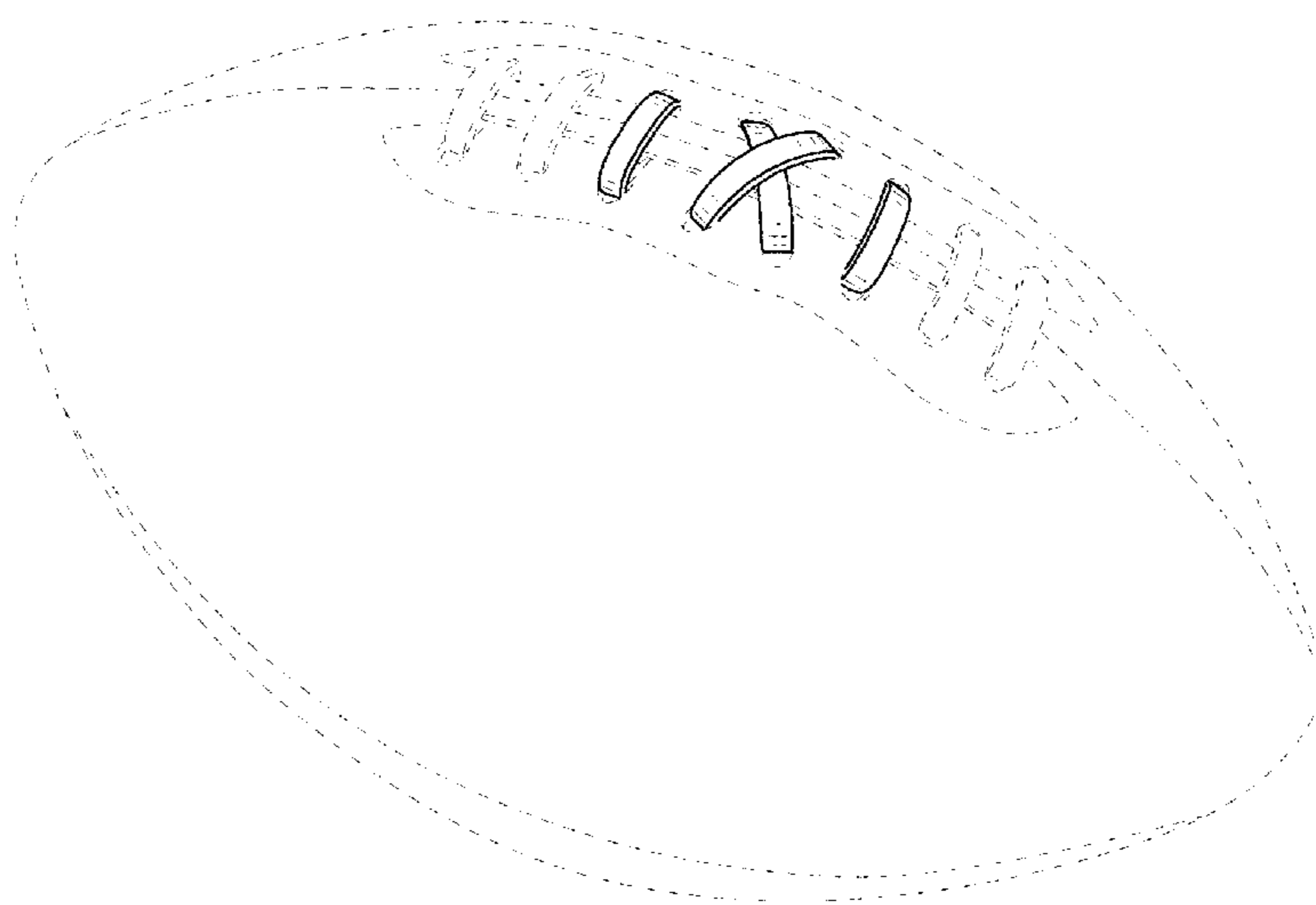
(57) **CLAIM**

I claim the ornamental design for a football lacing, as shown and described.

**DESCRIPTION**

FIG. 1 is a top perspective view of the football lacing showing my new design;  
 FIG. 2 is a top view of FIG. 1;  
 FIG. 3 is a right side view of FIG. 1;  
 FIG. 4 is a left side view of FIG. 1;  
 FIG. 5 is a front end view of FIG. 1; and,  
 FIG. 6 is a rear end view of FIG. 1.  
 The ornamental design that is claimed is shown in solid lines in the drawings. The broken (dashed) lines shown in the figures are included for the purpose of illustrating environmental elements only and form no part of the claimed design.

**1 Claim, 4 Drawing Sheets**



(56)

**References Cited**

U.S. PATENT DOCUMENTS

D570,432 S	6/2008	Krysiak	
D570,931 S	6/2008	Krysiak	
D571,874 S	6/2008	Krysiak	
D571,875 S	6/2008	Krysiak	
7,867,116 B2	1/2011	Guenther et al.	
8,366,574 B2	2/2013	Guenther et al.	
8,460,135 B2	6/2013	Guenther et al.	
8,512,177 B2	8/2013	Krysiak et al.	
8,926,458 B1	1/2015	Wood	
2006/0229149 A1 *	10/2006	Goedoen .....	A63B 41/08 473/598

\* cited by examiner

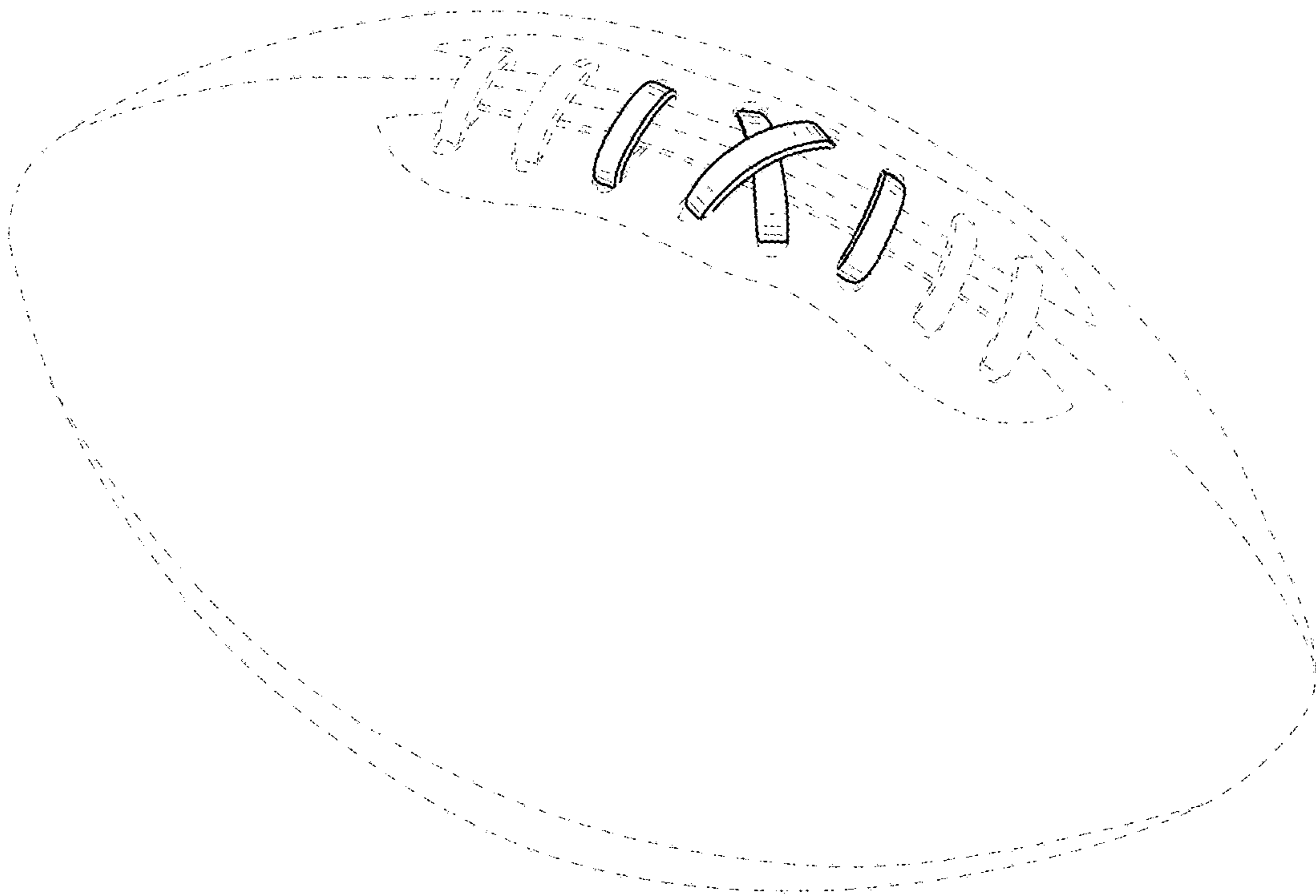


FIG. 1

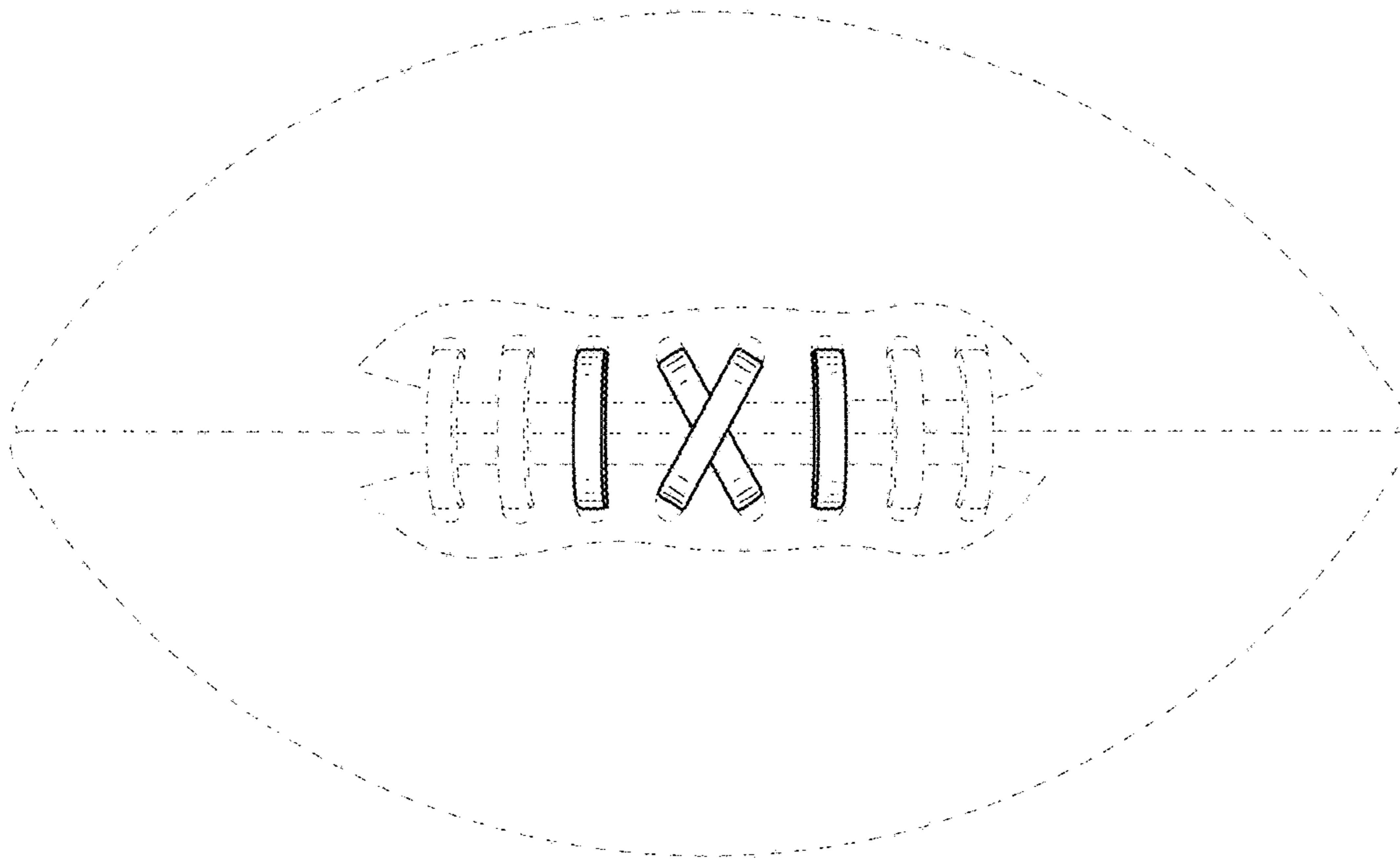


FIG. 2

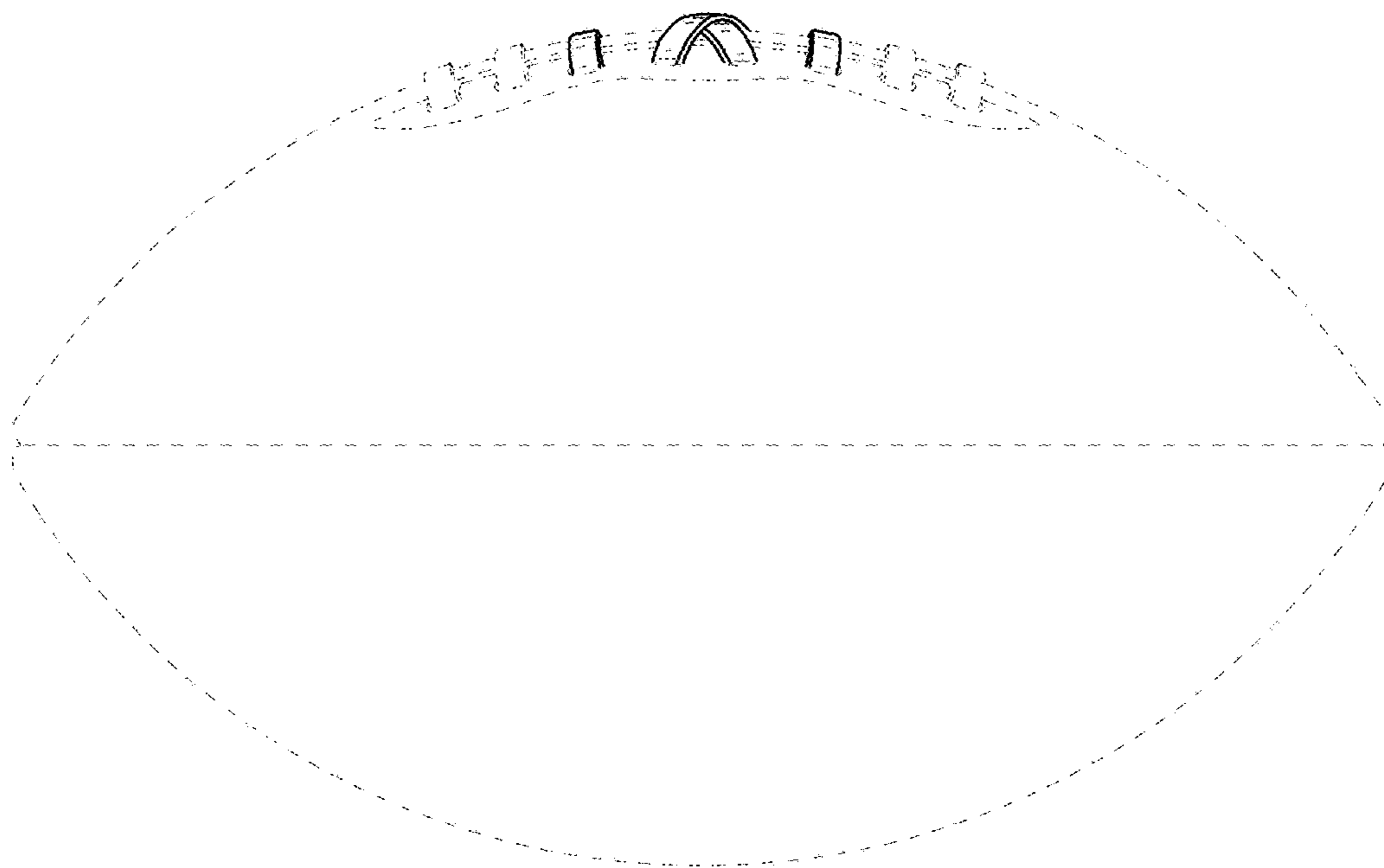


FIG. 3

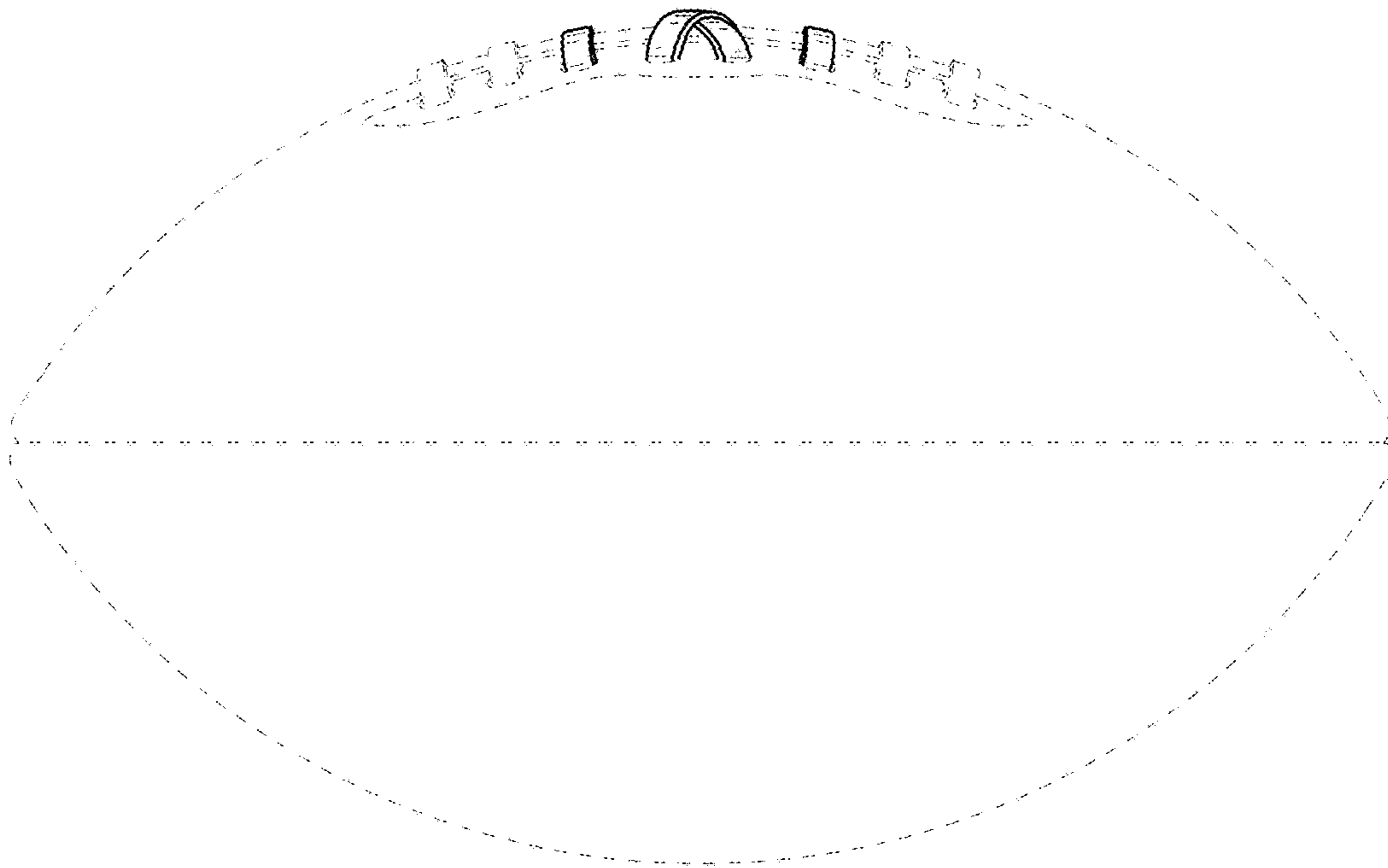


FIG. 4

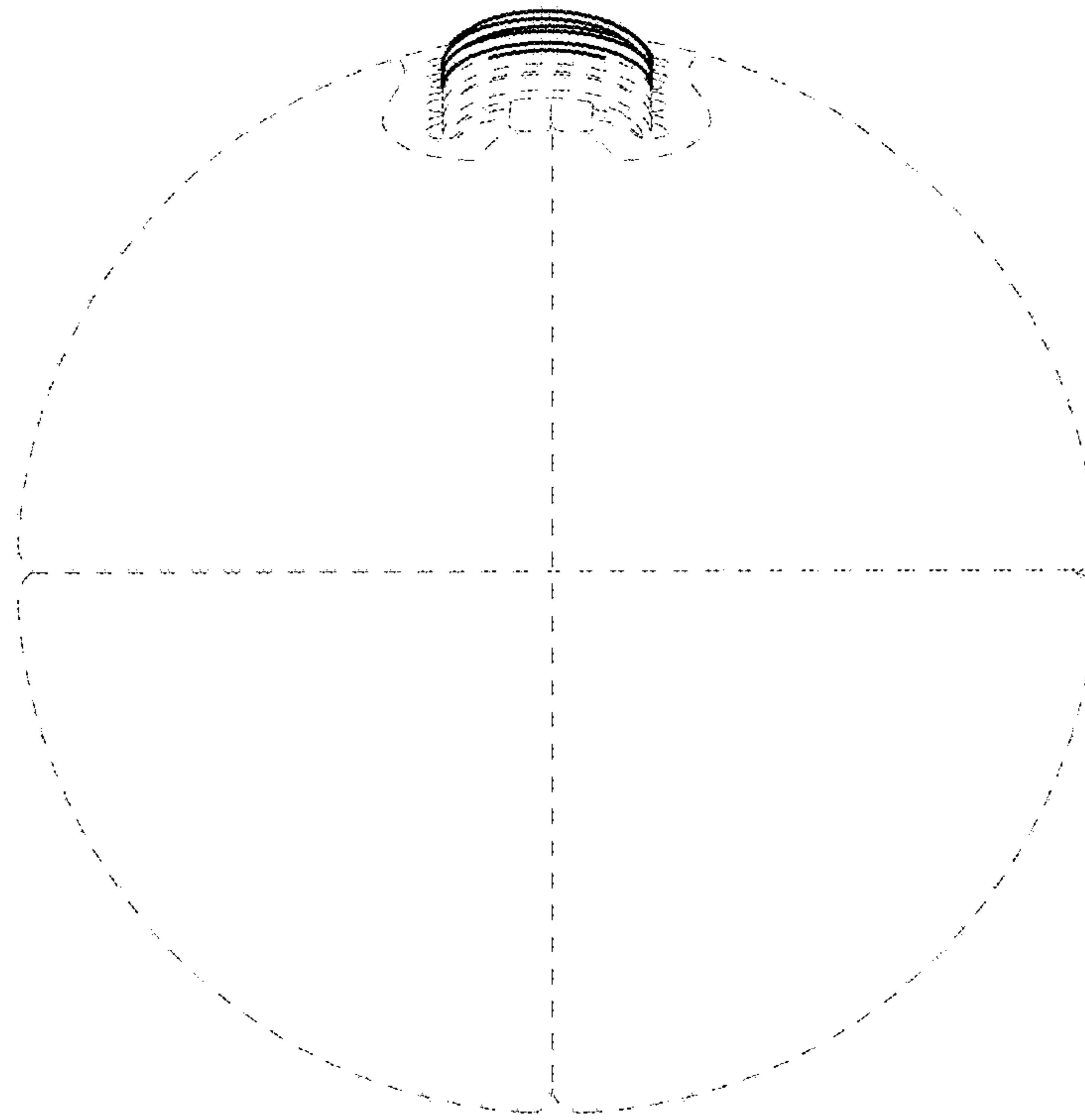


FIG. 5

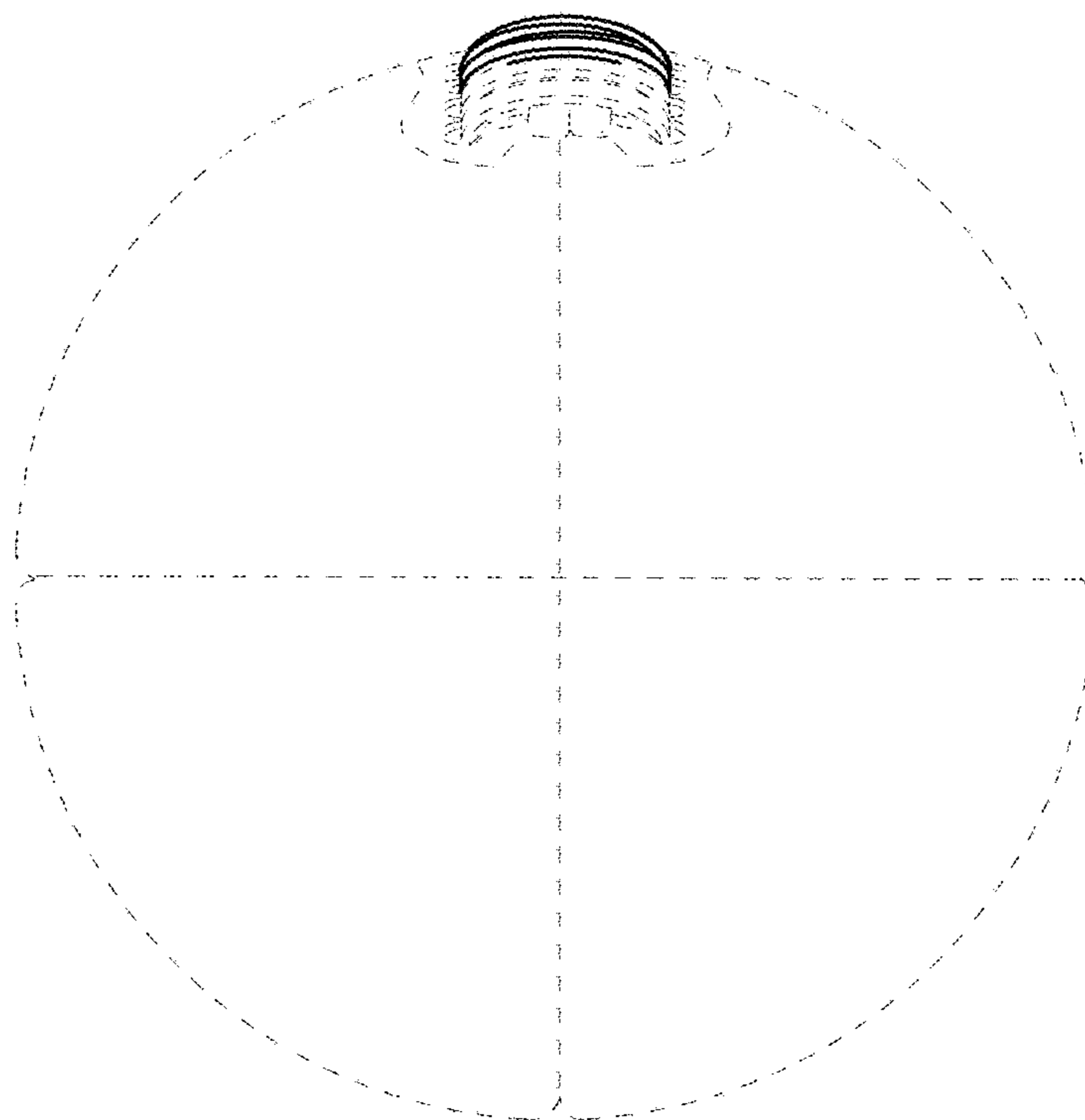


FIG. 6