



US00D785106S

(12) **United States Design Patent** (10) **Patent No.:** **US D785,106 S**  
**Panes** (45) **Date of Patent:** **\*\* Apr. 25, 2017**

(54) **CORE EXERCISE PLATFORM WITH BASE**

(71) Applicant: **HPVC, LLC**, Bradenton, FL (US)

(72) Inventor: **Howard Panes**, Bradenton, FL (US)

(73) Assignee: **HPVC, LLC**, Bradenton, FL (US)

(\*\*) Term: **15 Years**

(21) Appl. No.: **29/569,130**

(22) Filed: **Jun. 23, 2016**

(51) **LOC (10) Cl.** ..... **21-02**

(52) **U.S. Cl.**  
USPC ..... **D21/688**

(58) **Field of Classification Search**

USPC ..... D21/797, 694, 671, 686, 698, 699, 680,  
D21/685, 692, 662, 687, 689, 318, 688,  
D21/412, 333, 683, 798; 482/142, 52,  
482/51, 30, 74, 91, 140, 25, 94, 105, 93,  
482/110, 146, 125, 126, 123, 139, 79, 80,  
482/71, 147, 34, 77; 428/122; D6/349,  
D6/582, 592, 335, 350, 583, 588, 585;  
297/461, 223, 423.41; 248/678;  
473/278, 218, 269; 280/205, 87.042,  
280/609; D19/59

CPC ..... A63B 26/003; A63B 22/16; A63B 22/18;  
A63B 21/0442; A63B 21/4035; A63B  
2208/0204; A63B 21/0004; A63B 22/14

See application file for complete search history.

(56) **References Cited**

**U.S. PATENT DOCUMENTS**

4,826,159 A \* 5/1989 Hersey ..... A63B 26/003  
482/146  
5,766,119 A \* 6/1998 Clark ..... A63B 22/14  
482/146  
D530,374 S \* 10/2006 Ng ..... D19/62  
7,670,265 B1 \* 3/2010 Forrest ..... A63B 69/0093  
482/146

7,806,807 B2 \* 10/2010 Genua ..... A63B 21/0004  
482/146  
D659,776 S \* 5/2012 Zydiak ..... D21/688  
D695,367 S \* 12/2013 Lovegrove ..... D21/671  
2008/0020856 A1 \* 1/2008 Rosa ..... A63B 26/003  
473/269  
2014/0162859 A1 \* 6/2014 Cheng ..... A63B 26/003  
482/142

**OTHER PUBLICATIONS**

Game Your Core by Stealth dated Nov. 1, 2016. Found online [Feb. 9, 2017] <https://www.kickstarter.com/projects/98545945/stealth-get-ripped-abs-by-playing-games-on-your-sm>.\*

\* cited by examiner

*Primary Examiner* — Robert M Spear

*Assistant Examiner* — Ryan Harvey

(74) *Attorney, Agent, or Firm* — Foley & Lardner LLP

(57) **CLAIM**

I claim the ornamental design for a core exercise platform with base, as shown and described.

**DESCRIPTION**

FIG. 1 is a top front perspective view of a core exercise platform with base of the claimed design;

FIG. 2 is a right view of the core exercise platform with base;

FIG. 3 is a left view of the core exercise platform with base;

FIG. 4 is a front view of the core exercise platform with base;

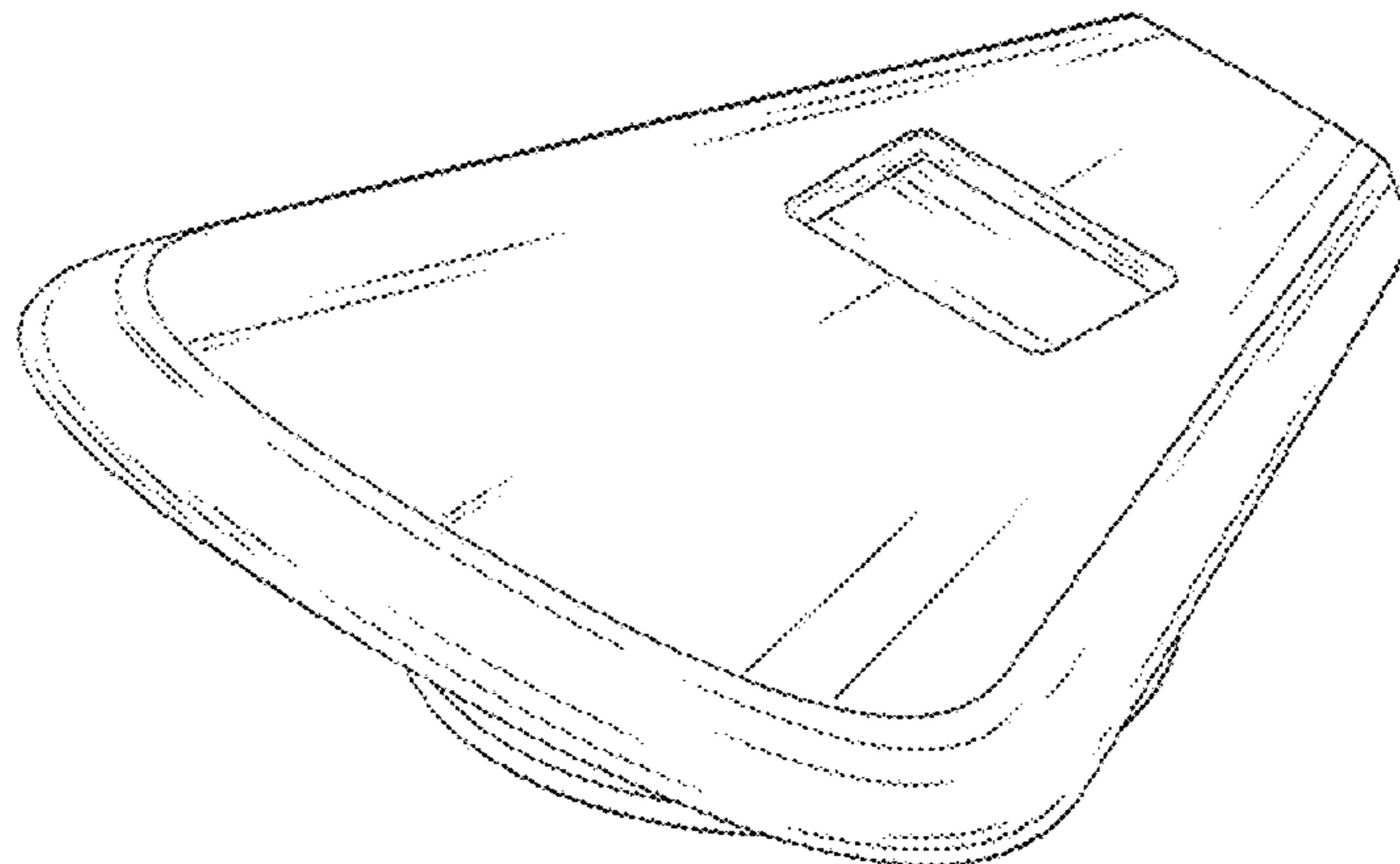
FIG. 5 is a rear view of the core exercise platform with base;

FIG. 6 is a top view of the core exercise platform with base;

and,

FIG. 7 is a bottom view of the core exercise platform with base.

**1 Claim, 5 Drawing Sheets**



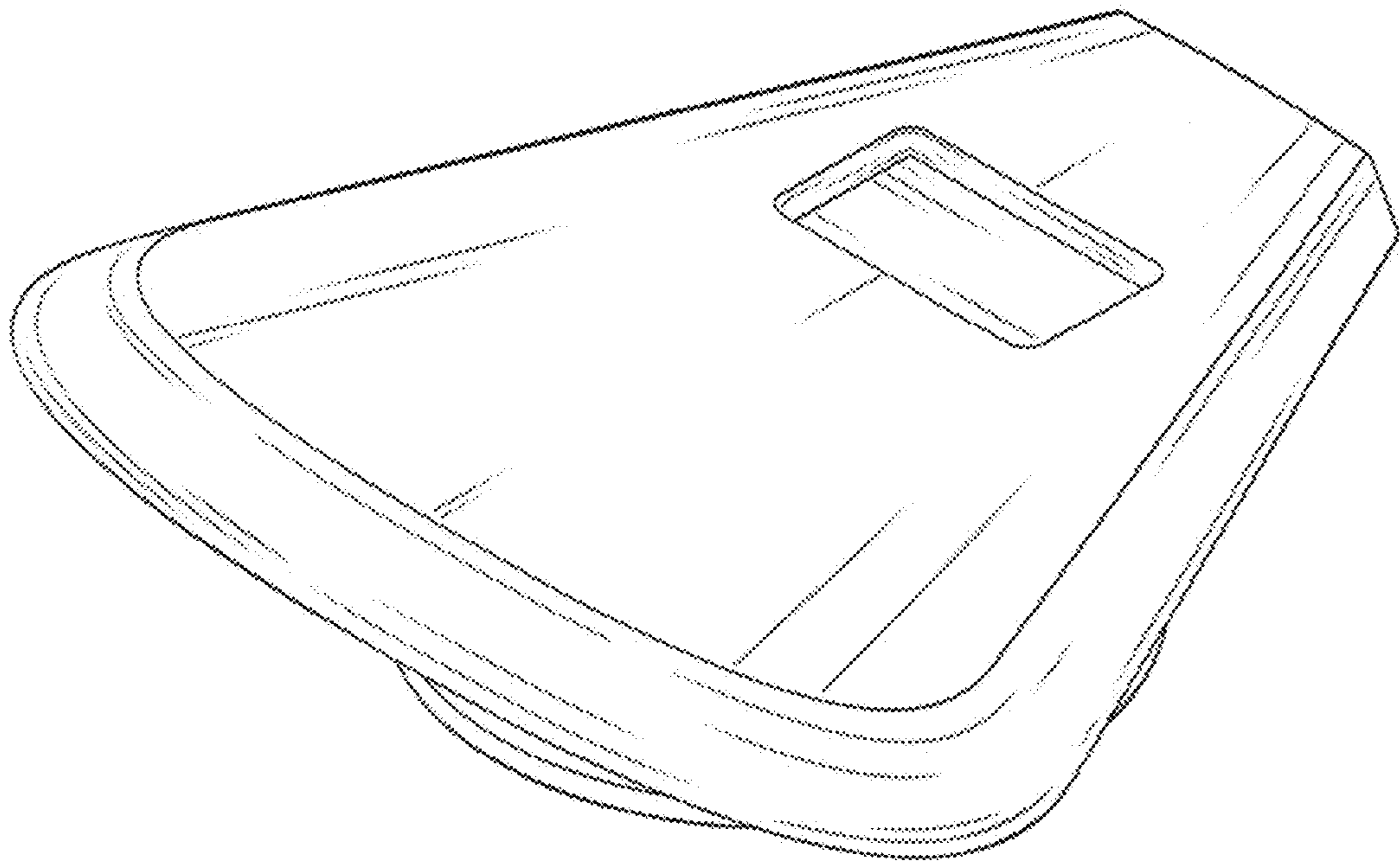


FIG. 1

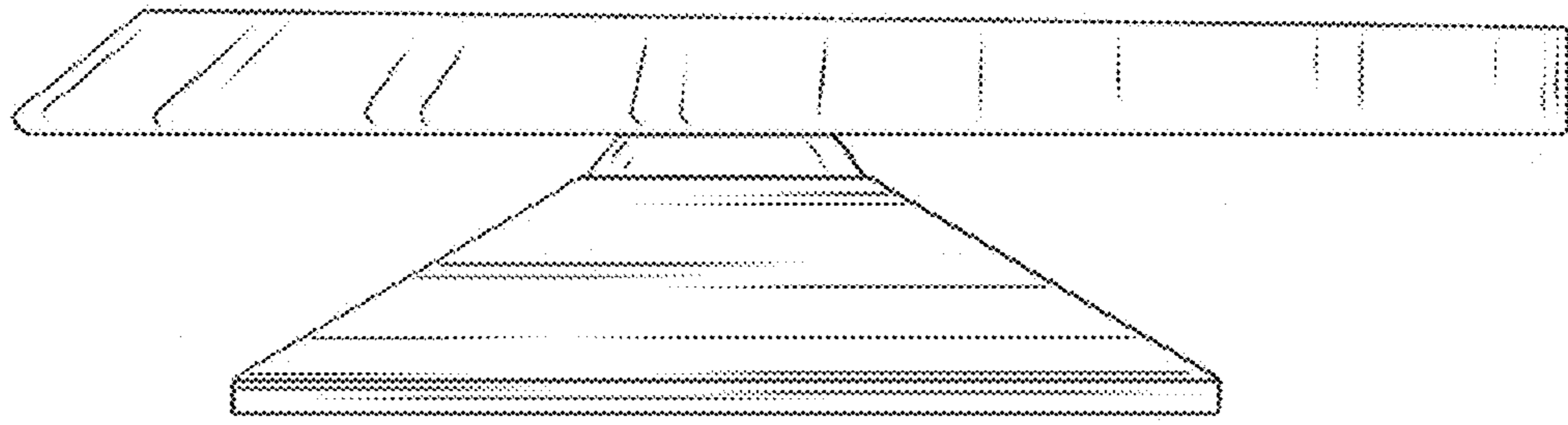


FIG. 2

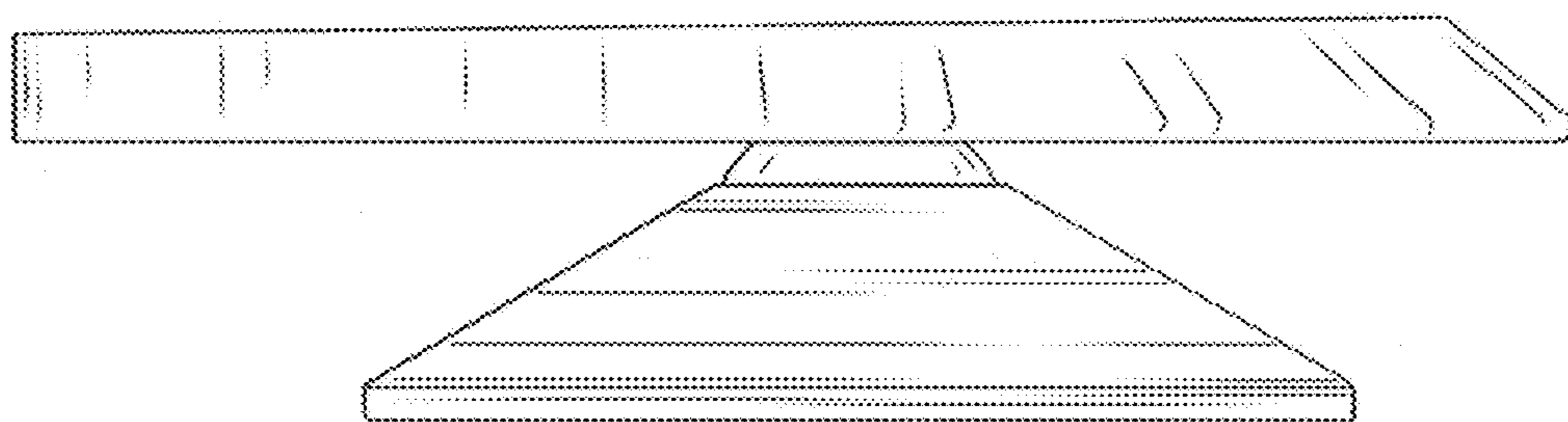


FIG. 3

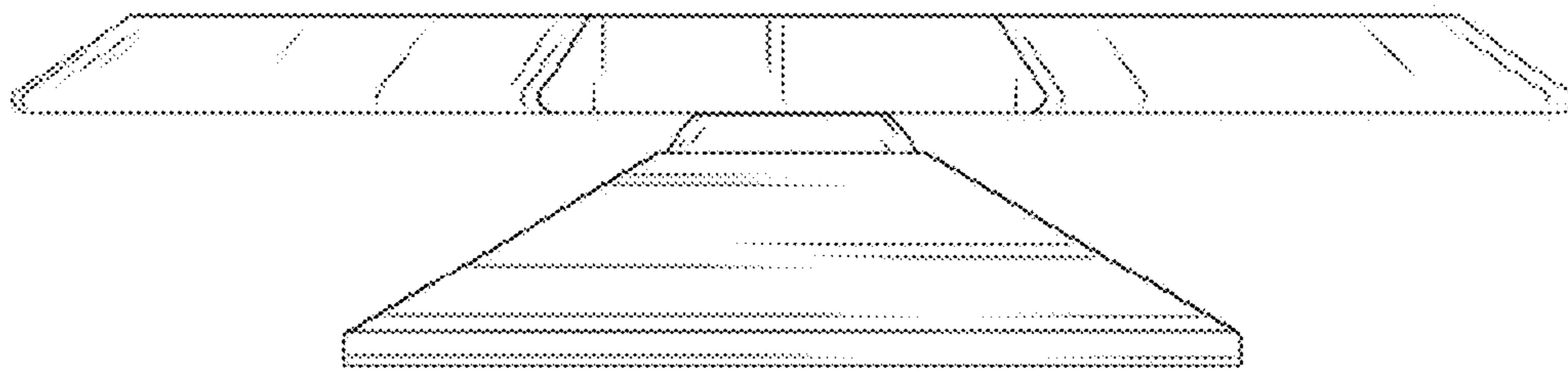


FIG. 4

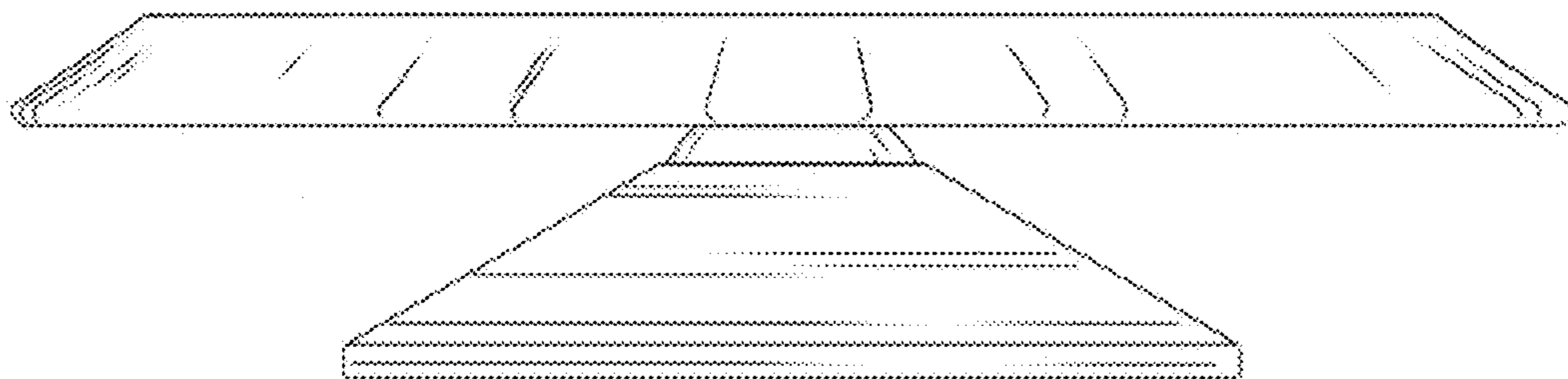


FIG. 5

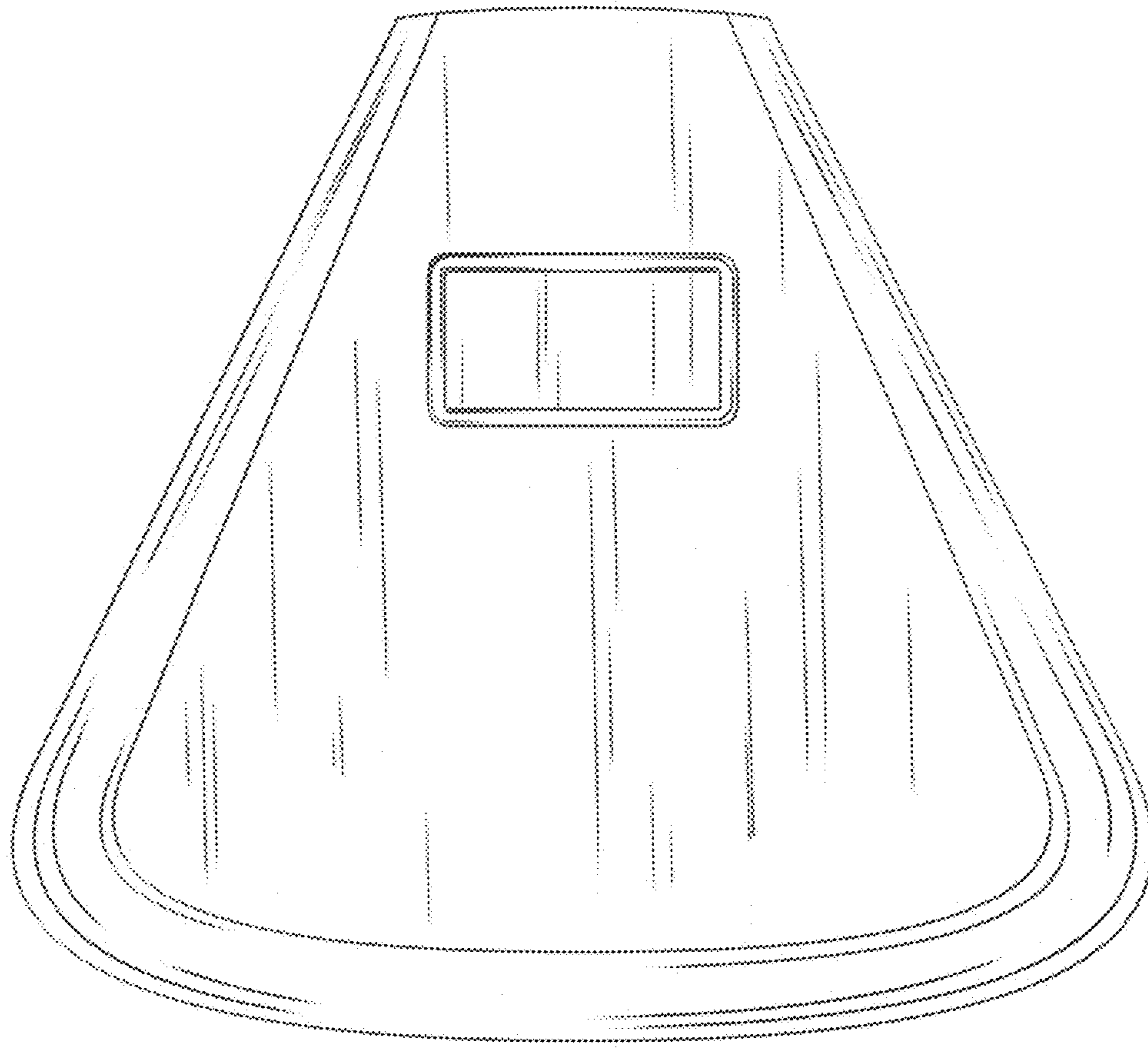


FIG. 6



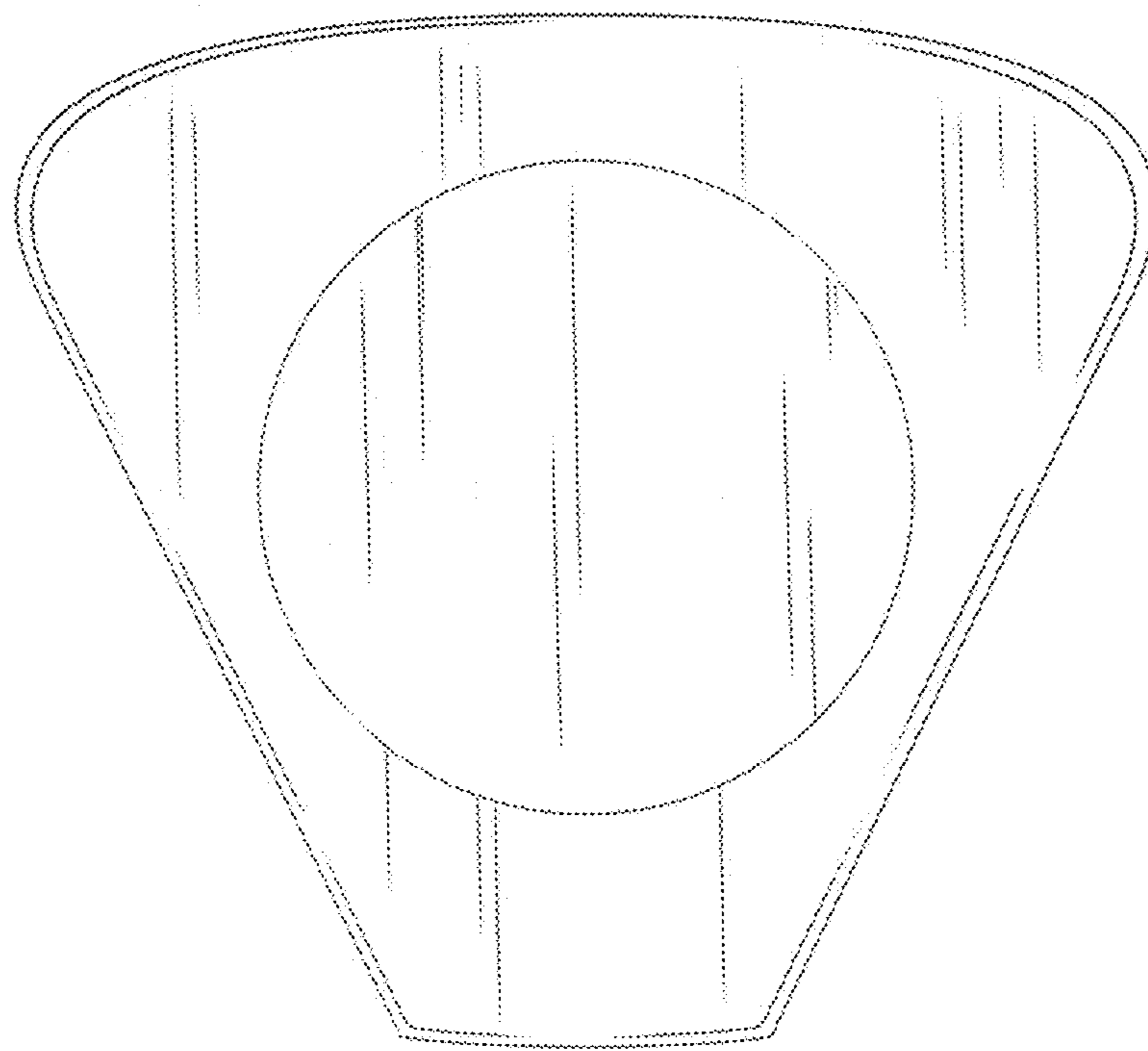


FIG. 7