



US00D785104S

(12) **United States Design Patent**
Lagree et al.

(10) **Patent No.:** **US D785,104 S**
(45) **Date of Patent:** **** Apr. 25, 2017**

(54) **EXERCISE MACHINE WITH CARRIAGE**

A63B 21/078; A61H 2203/0493; A61H 1/0292; A61H 2201/1284; A61H 1/0222

(71) Applicant: **Lagree Technologies, Inc.**, Burbank, CA (US)

See application file for complete search history.

(72) Inventors: **Sebastien Anthony Louis Lagree**, West Hollywood, CA (US); **Piotr Zin**, Newbury Park, CA (US); **Martti Johannes Lampela**, Woodland Hills, CA (US); **Ross Leslie Carmichael**, Everett, WA (US); **Brad Cracchiola**, Agoura Hills, CA (US)

(56) **References Cited**

U.S. PATENT DOCUMENTS

D282,386 S 1/1986 Dealey
D303,556 S 9/1989 Trulaske
4,884,802 A 12/1989 Graham
D342,107 S 12/1993 Chang

(Continued)

(73) Assignee: **Lagree Technologies, Inc.**, Burbank, CA (US)

OTHER PUBLICATIONS

Supraform by Lagree Fitness dated no date given. Found Online (Apr. 22, 2016) <http://lagreefitnessstudio.com/>.

(**) Term: **15 Years**

Primary Examiner — Robert M Spear

(21) Appl. No.: **29/575,070**

Assistant Examiner — Ryan Harvey

(22) Filed: **Aug. 22, 2016**

(74) *Attorney, Agent, or Firm* — Neustel Law Offices; Michael S. Neustel

Related U.S. Application Data

(63) Continuation of application No. 29/518,325, filed on Feb. 23, 2015, now Pat. No. Des. 764,606.

(57) **CLAIM**

(51) **LOC (10) Cl.** **21-02**

The ornamental design for an exercise machine with carriage, as shown and described.

(52) **U.S. Cl.**

USPC **D21/676**

(58) **Field of Classification Search**

USPC 482/54, 140, 142, 123, 121, 122, 129, 482/130, 96, 52, 57, 907, 126, 131, 145, 482/144, 112, 134, 26, 27, 77, 125, 132, 482/92, 95, 91, 128, 68, 141, 53, 133, 482/138; D21/687, 686, 669, 673, 690, D21/691, 694, 676, 674, 670, 663, 662, D21/423, 695, 688; D24/183, 188; 297/175, 445.1, 423.38, 230.1; 601/24, 601/49; 606/240, 244, 242; 5/613, 618, 5/624; 473/197, 422; 280/47.371, 79.6; D14/447

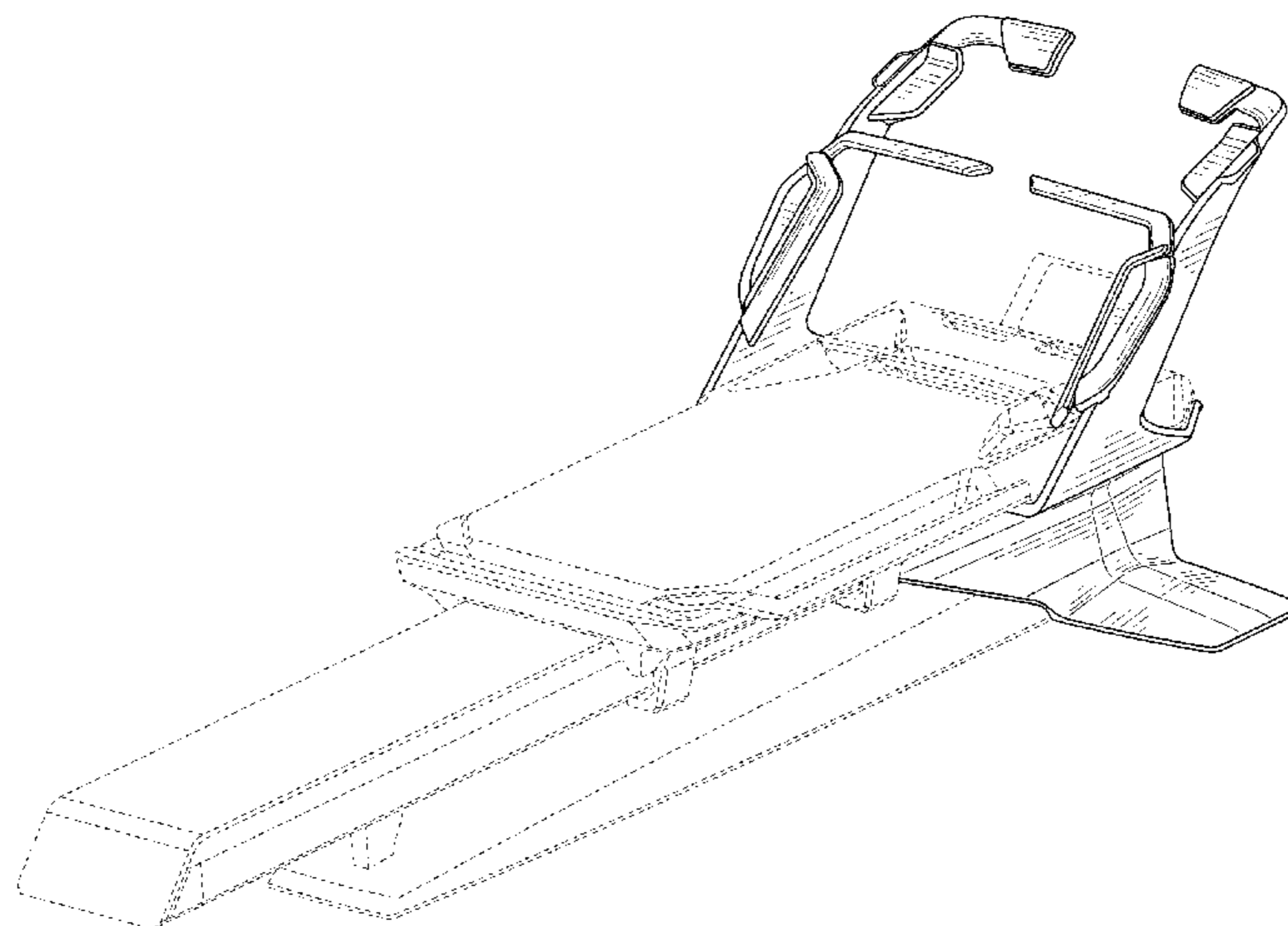
CPC . A63B 22/02; A63B 22/0023; A63B 22/0235; A63B 2210/50; A63B 21/4029; A63B 22/0285; A63B 22/0242; A63B 2225/30;

DESCRIPTION

FIG. 1 is a perspective view of an exercise machine with carriage showing our new design; FIG. 2 is a front view thereof; FIG. 3 is a rear view thereof; FIG. 4 is a right view thereof; FIG. 5 is a left view thereof; FIG. 6 is a top view thereof; and, FIG. 7 is a bottom view thereof.

Any broken line portions of the drawings are included to show unclaimed subject matter and form no part of the claimed design.

1 Claim, 6 Drawing Sheets



(56)

References Cited

U.S. PATENT DOCUMENTS

D373,393	S	9/1996	Montijo	
D379,388	S	5/1997	Montijo	
D546,909	S	7/2007	Flick	
7,803,095	B1 *	9/2010	LaGree A63B 22/0012 482/121
D703,279	S	4/2014	Ho	
D707,763	S	6/2014	Cutler	
D728,045	S	4/2015	Hubler	
9,211,440	B2 *	12/2015	Lagree A63B 24/0087
D764,606	S *	8/2016	Lagree D21/676
2012/0295771	A1 *	11/2012	LaGree A63B 21/023 482/94
2014/0121076	A1 *	5/2014	Lagree A63B 21/0552 482/123
2015/0024914	A1 *	1/2015	Lagree A63B 22/0089 482/142
2015/0057127	A1 *	2/2015	Lagree A63B 24/0087 482/4
2015/0065318	A1 *	3/2015	Lagree A63B 21/055 482/130
2015/0343250	A1 *	12/2015	Lagree A63B 21/4045 482/142
2015/0360113	A1 *	12/2015	Lagree A63B 71/0054 482/121
2016/0059060	A1 *	3/2016	Lagree A63B 21/023 482/129
2016/0096059	A1 *	4/2016	Lagree A63B 71/0622 482/139
2016/0166870	A1 *	6/2016	Lagree A63B 21/00069 482/142
2016/0256733	A1 *	9/2016	Lagree A63B 21/4035
2016/0317858	A1 *	11/2016	Lagree A63B 22/0023

* cited by examiner

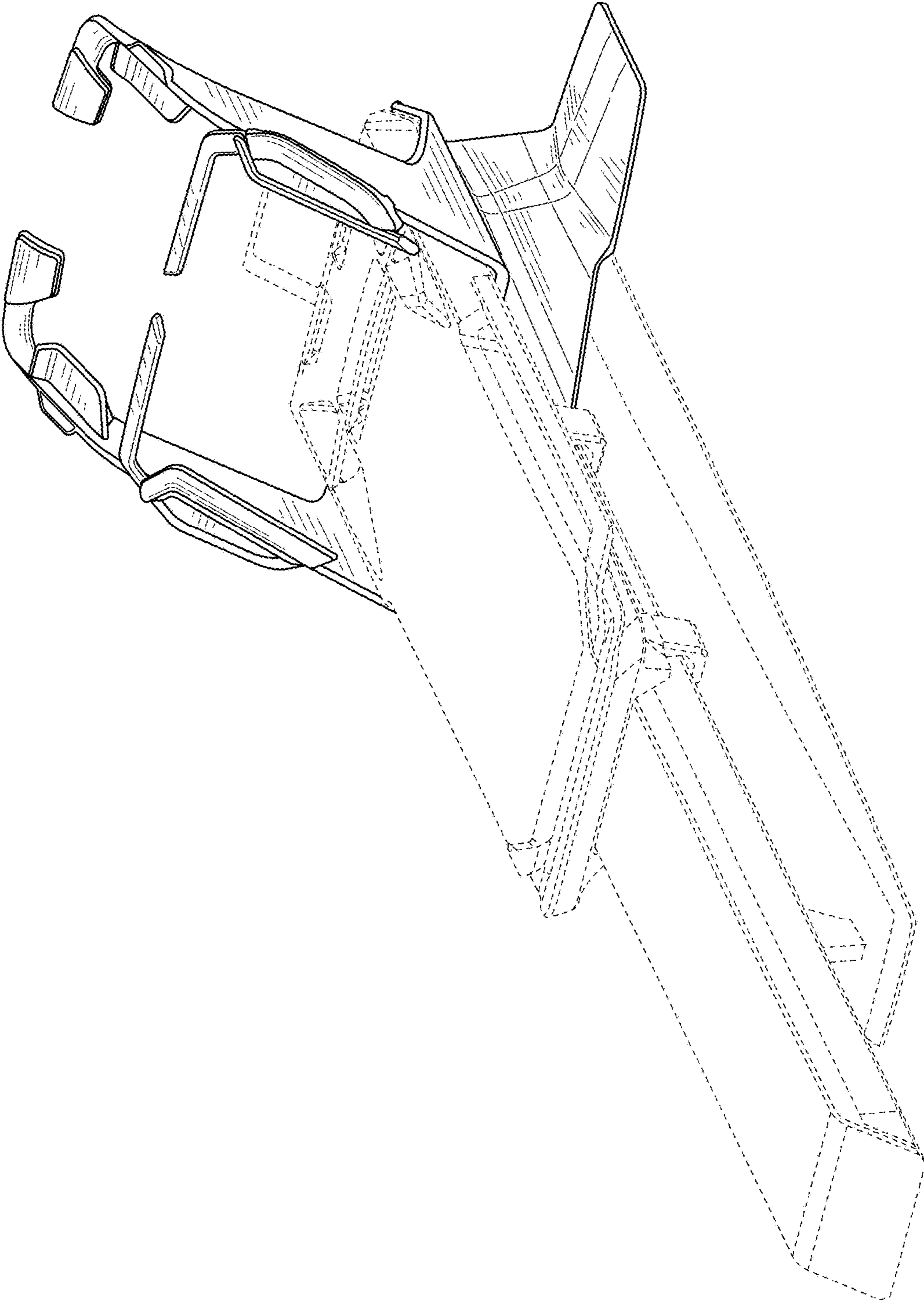


FIG. 1

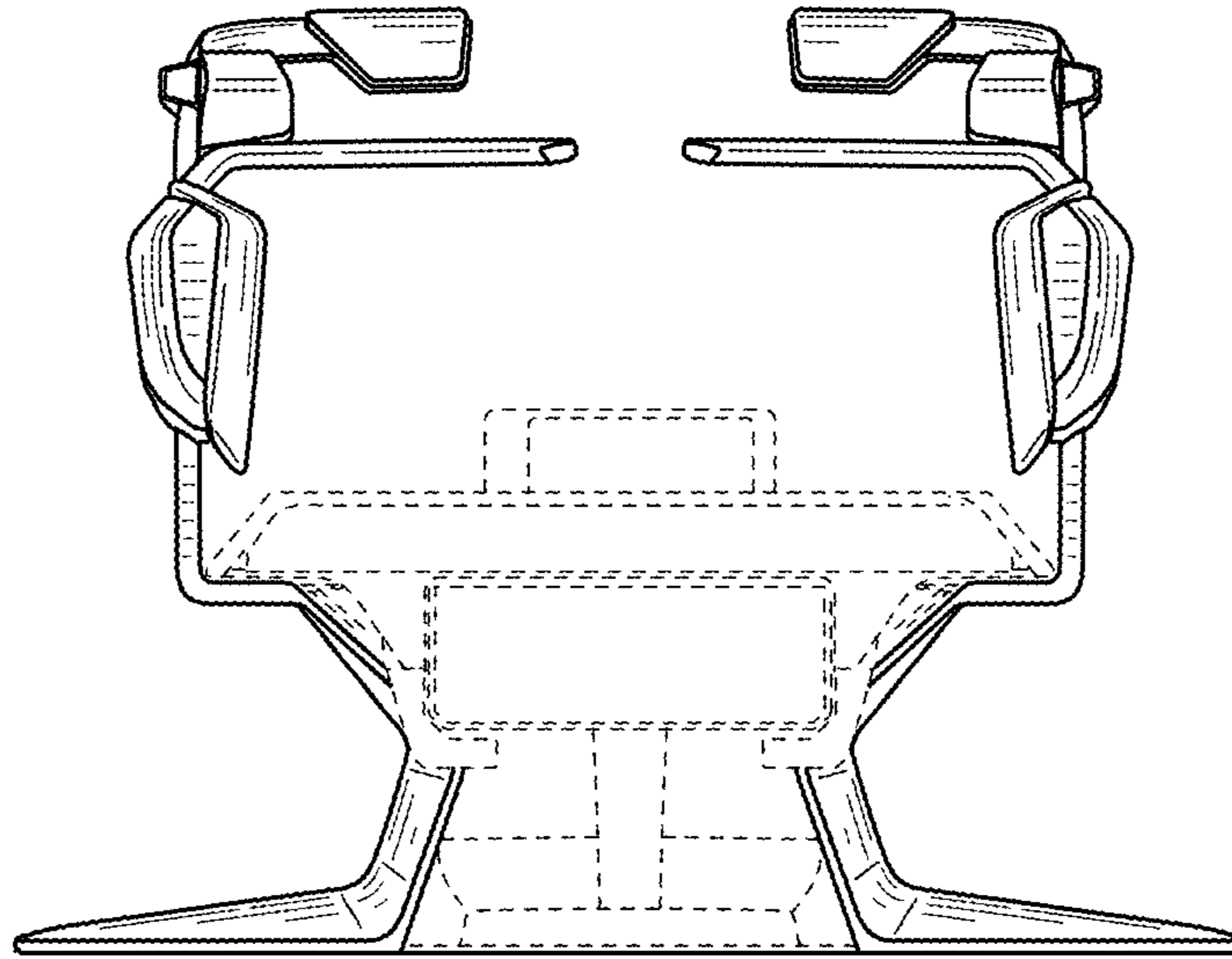


FIG. 2

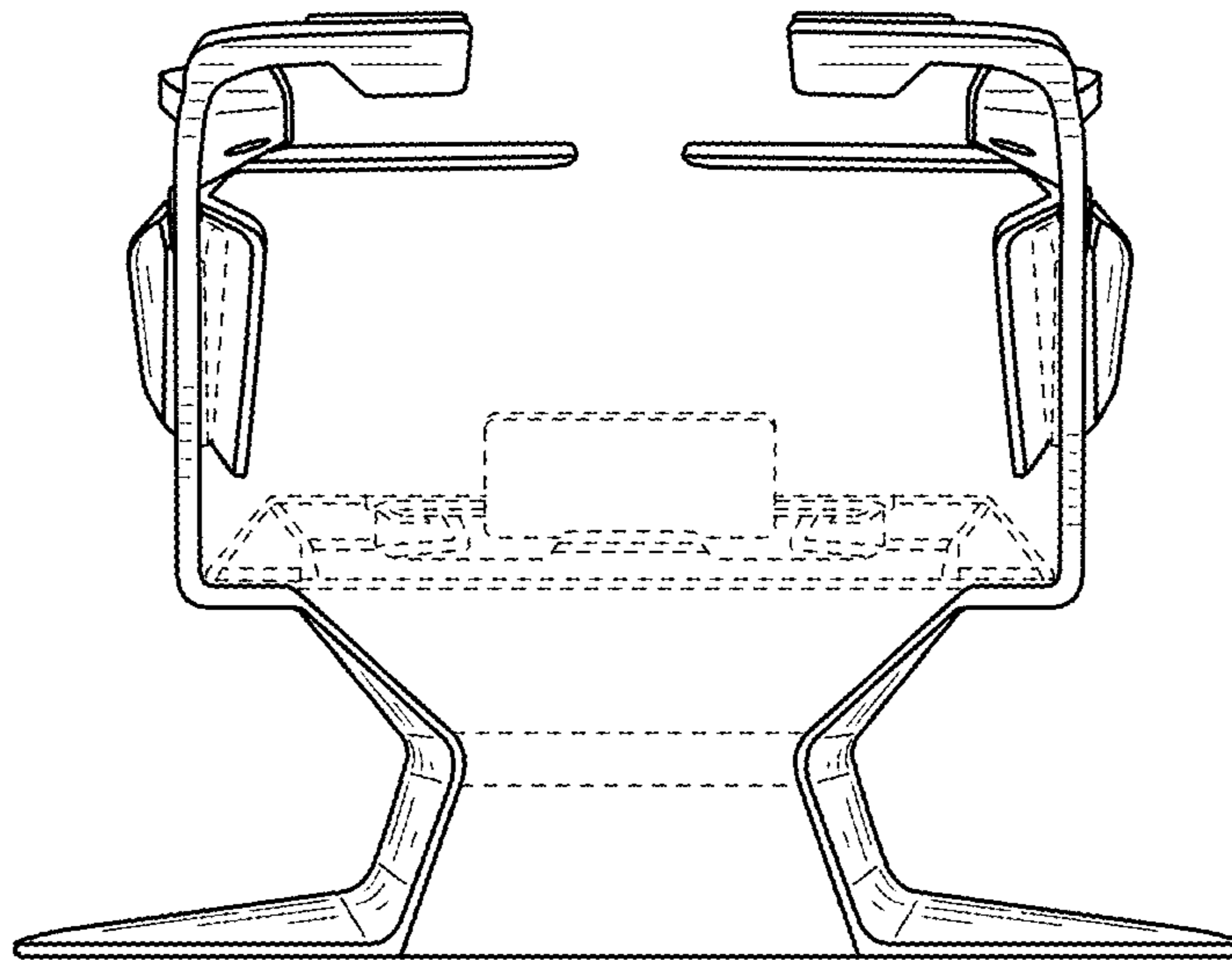


FIG. 3

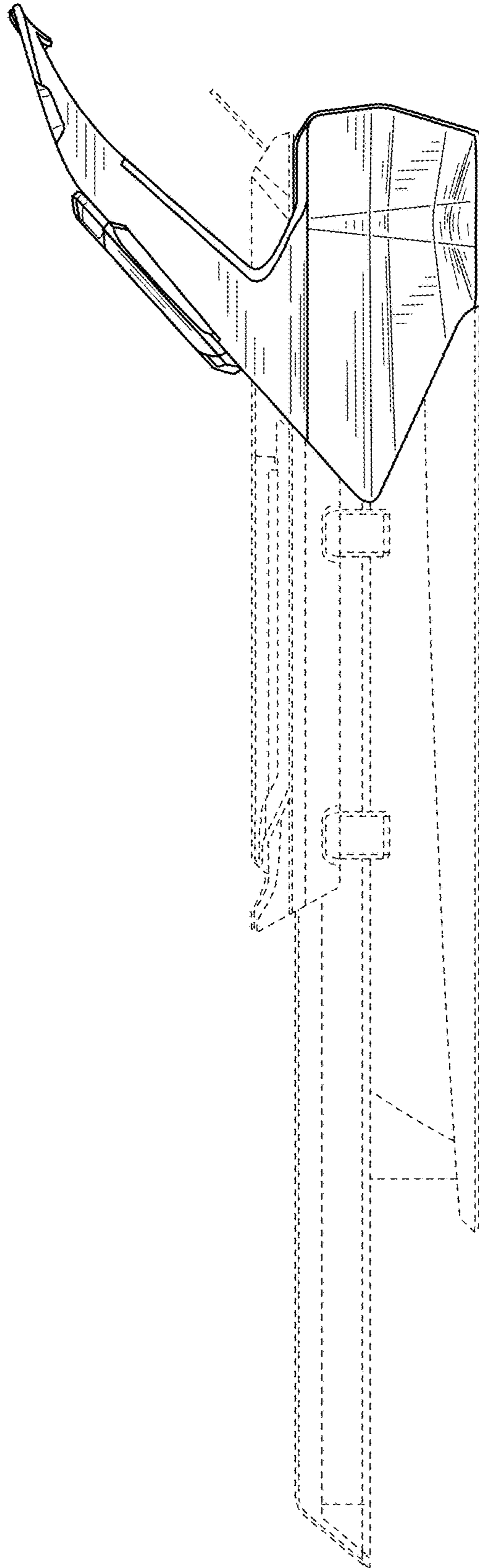


FIG. 4

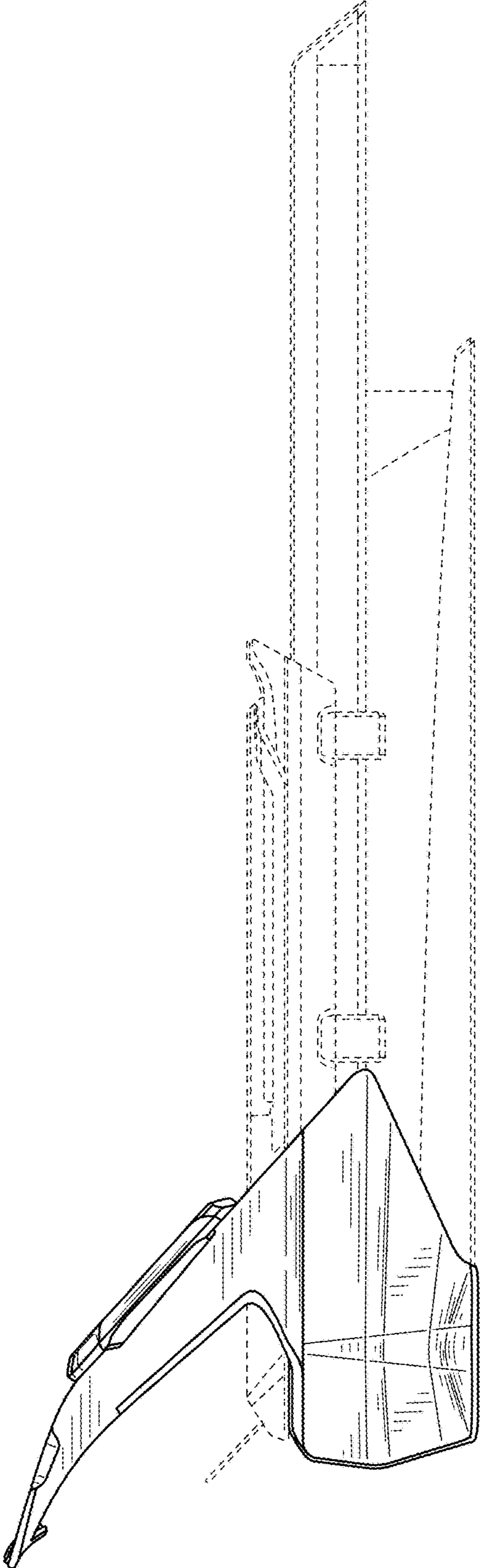


FIG. 5

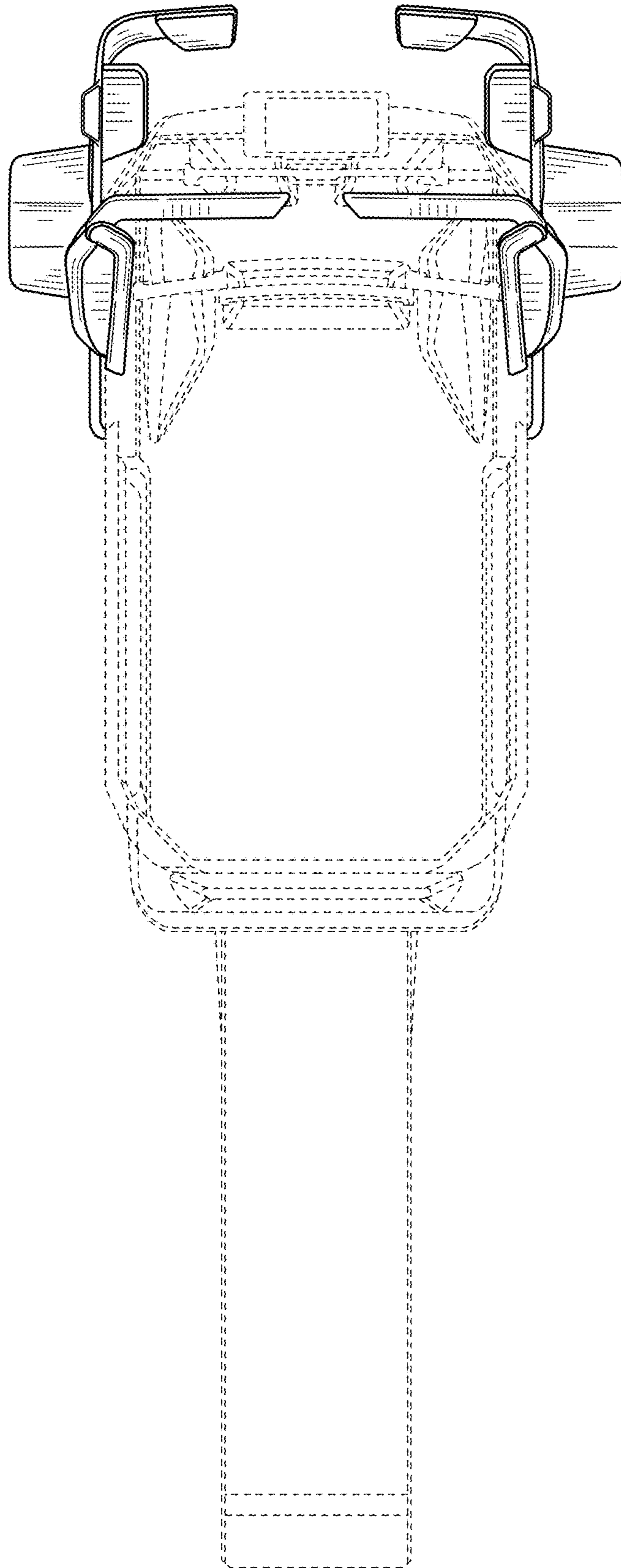


FIG. 6

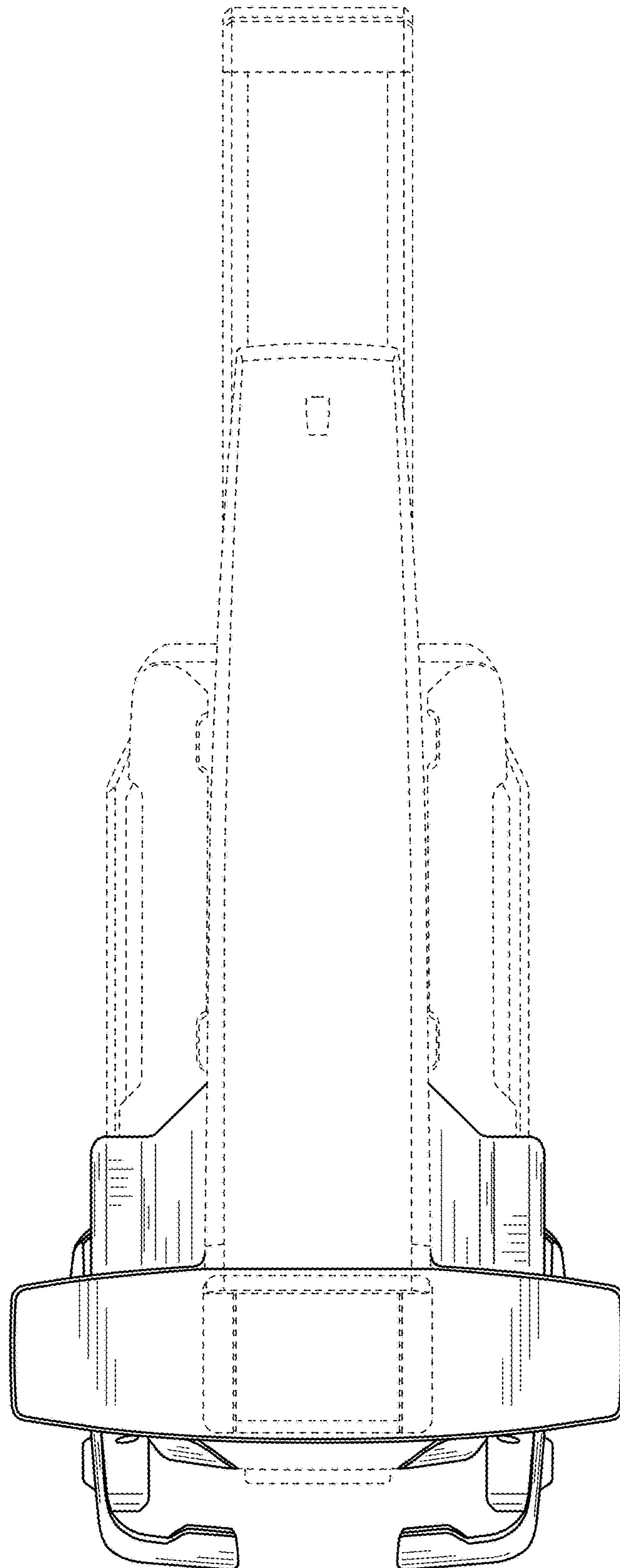


FIG. 7