



US00D785103S

(12) **United States Design Patent**
Townsend

(10) **Patent No.:** **US D785,103 S**
(45) **Date of Patent:** **** Apr. 25, 2017**

(54) **COMBINED PORTABLE THERAPEUTIC
STRETCHING AND MASSAGE ROLLER
AND STORAGE CONTAINER**

(71) Applicant: **Canyon Hard Goods LLC**, San Diego,
CA (US)

(72) Inventor: **Dustin Townsend**, San Diego, CA (US)

(73) Assignee: **Canyon Hard Goods LLC**, San Diego,
CA (US)

(**) Term: **15 Years**

(21) Appl. No.: **29/530,785**

(22) Filed: **Jun. 19, 2015**

(51) **LOC (10) Cl.** **21-02**

(52) **U.S. Cl.**
USPC **D21/662; D24/211**

(58) **Field of Classification Search**
USPC ... 482/106, 51, 93, 109, 110, 139, 142, 148,
482/44, 45, 46, 141, 95, 50, 129, 127;
D21/680, 798, 692, 662, 804, 686, 671,
D21/691, 682, 694, 687, 654, 487, 679,
D21/684, 688, 412, 685, 400, 791, 725,
D21/386; D24/188, 211, 141, 215, 190,
(Continued)

(56) **References Cited**

U.S. PATENT DOCUMENTS

2,546,095	A	3/1951	Walter	
D257,883	S *	1/1981	Holmberg	D24/212
4,643,302	A	2/1987	Baumgardner	
D302,775	S *	8/1989	Sinoff	D3/202
4,961,497	A	10/1990	Sherer et al.	
5,131,383	A	7/1992	Juarez	
5,417,327	A	5/1995	Saumure	

(Continued)

FOREIGN PATENT DOCUMENTS

WO WO9012529 1/1990

OTHER PUBLICATIONS

KarmaRu by KickStarter dated Aug. 29, 2014. Found online [Oct. 28, 2016] https://www.kickstarter.com/projects/913486994/the-karmaru/comments.*

(Continued)

Primary Examiner — Robert M Spear

Assistant Examiner — Ryan Harvey

(74) *Attorney, Agent, or Firm* — Procopio Cory
Hargreaves and Savitch LLP

(57) **CLAIM**

The ornamental design for a combined portable therapeutic stretching and massage roller and storage container, as shown and described.

DESCRIPTION

FIG. 1 is a perspective view of the combined portable therapeutic stretching and massage roller and storage container;

FIG. 2 is a front elevational view of the combined portable therapeutic stretching and massage roller and storage container;

FIG. 3 is a rear elevational view of the combined portable therapeutic stretching and massage roller and storage container;

FIG. 4 is a left elevational view of the combined portable therapeutic stretching and massage roller and storage container;

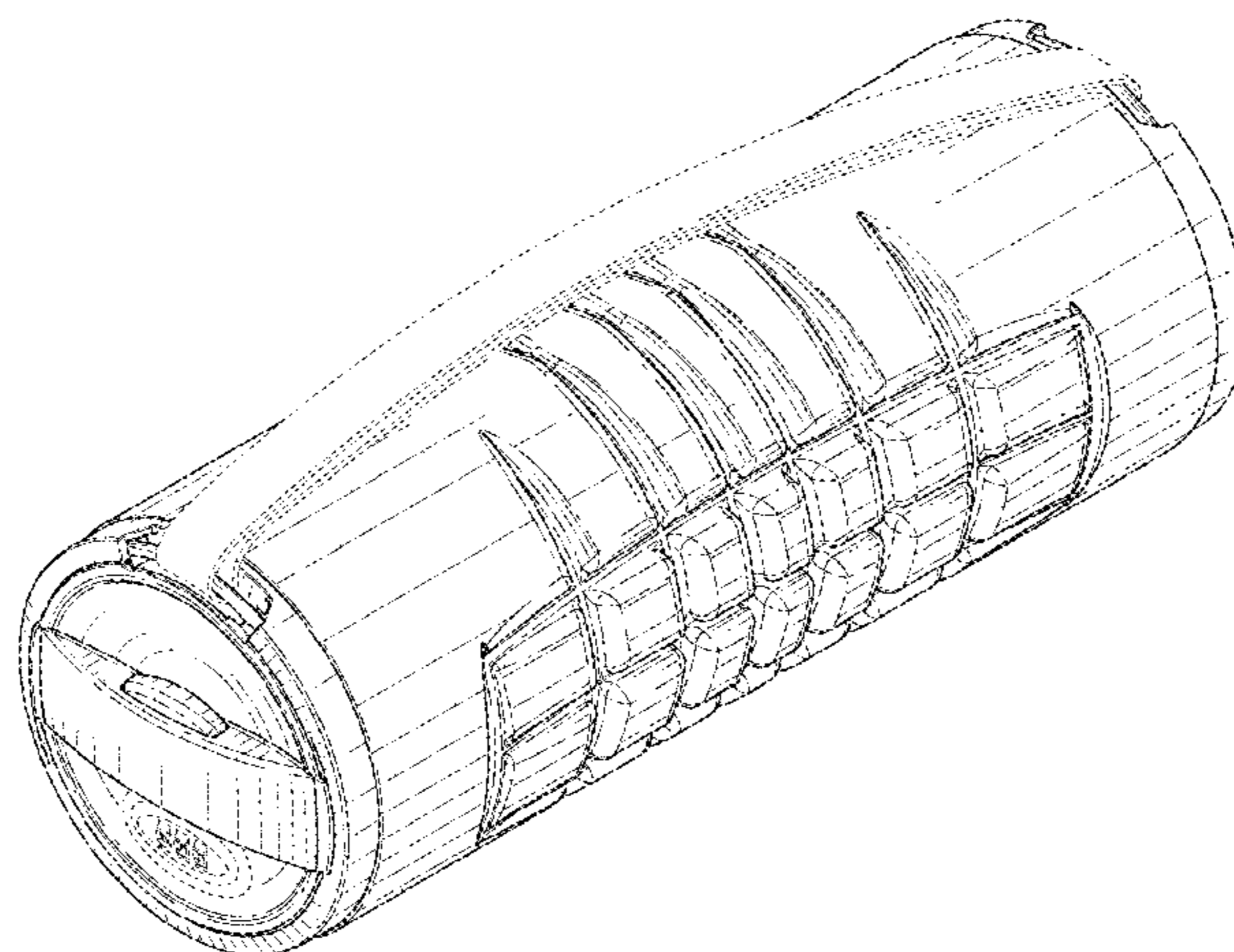
FIG. 5 is a right elevational view of the combined portable therapeutic stretching and massage roller and storage container;

FIG. 6 is a top plan view of the combined portable therapeutic stretching and massage roller and storage container; and,

FIG. 7 is a bottom plan view of the combined portable therapeutic stretching and massage roller and storage container.

The broken lines shown in FIGS. 1-7 are included for the purpose of illustrating environmental elements only and form no part of the claimed design.

1 Claim, 6 Drawing Sheets



(58) **Field of Classification Search**

USPC D24/200, 231, 106, 171; D30/160, 119;
 D6/601, 598, 604, 691.4, 597, 348, 361,
 D6/596, 606; 601/112, 121, 122, 46, 15,
 601/19, 120, 134, 135, 131; 220/4.07,
 220/4.24, 4.27, 666; D3/307, 290, 299,
 D3/289, 287, 254, 246, 228, 302, 300,
 D3/301, 276, 11; 476/256, 519, 549,
 476/558, 559, 564, 118, 457, 219, 513,
 476/560, 568, 409; D7/608; D9/695,
 D9/711
 CPC A61H 15/0092; A61H 15/00; A61H
 2201/0207; A61H 23/0263; A61H
 2205/081; A61H 7/001; A61H 2201/1669;
 A61H 2015/0014; A61H 2201/1284
 See application file for complete search history.

(56) **References Cited**

U.S. PATENT DOCUMENTS

5,554,102 A 9/1996 Chiou
 5,588,953 A 12/1996 Chang
 5,634,680 A 6/1997 Green
 5,927,535 A 7/1999 Goth
 D417,319 S * 11/1999 Weiss, Jr. D30/119
 6,129,687 A * 10/2000 Powell A61H 15/02
 220/4.07
 6,273,158 B1 8/2001 Sharpe
 6,398,694 B1 * 6/2002 Bountourakis A63B 21/015
 482/109
 D468,905 S * 1/2003 Nevins D3/246
 D469,135 S * 1/2003 Bell D21/662
 D470,308 S * 2/2003 McGeehan D3/228
 D478,726 S * 8/2003 Masso D3/260
 6,694,550 B2 * 2/2004 Lee A47C 20/021
 5/632
 D505,291 S * 5/2005 Dalset D6/601
 D551,862 S * 10/2007 Gerry D3/300
 D573,262 S * 7/2008 Soucy D24/211
 D637,244 S * 5/2011 Davis D21/662

D643,217 S * 8/2011 Pedersen D3/302
 D647,980 S * 11/2011 Davis D21/662
 D655,085 S * 3/2012 Holbrook D3/289
 D660,450 S * 5/2012 Johnson D24/215
 D688,042 S * 8/2013 King D3/276
 D689,155 S * 9/2013 Jahns D21/692
 8,556,837 B1 * 10/2013 Poirier A61H 15/00
 601/46
 D693,934 S * 11/2013 Lin D24/215
 D700,346 S * 2/2014 Palizzi D24/211
 D713,050 S * 9/2014 Kao A61H 15/00
 D24/211
 D714,952 S * 10/2014 Gonglach A61H 15/00
 D24/211
 D721,183 S * 1/2015 Mallory D24/211
 8,925,724 B1 1/2015 Normand
 D724,750 S * 3/2015 Taylor D24/211
 D731,780 S * 6/2015 Mingo D3/11
 D732,680 S * 6/2015 Taylor D24/211
 D737,456 S * 8/2015 McDonough D24/211
 9,144,701 B2 * 9/2015 Chen A63B 21/00047
 D744,112 S * 11/2015 Phillips D24/211
 D755,304 S * 5/2016 Ackerman D21/662
 2004/0267173 A1 * 12/2004 Mangano A61H 11/00
 601/57
 2006/0241537 A1 10/2006 Liu
 2012/0065557 A1 3/2012 Phillips
 2012/0309599 A1 12/2012 Miller, Jr.
 2013/0184620 A1 * 7/2013 Cohen A61H 15/0092
 601/118
 2015/0073321 A1 * 3/2015 Taylor A61H 15/0092
 601/118
 2016/0008692 A1 * 1/2016 Townsend A45C 9/00
 206/315.1

OTHER PUBLICATIONS

GB1413958.8, Search Report, Feb. 6, 2015.
 International Search Report and Written Opinion, PCT/U52015/
 039256, Korean Intellectual Property Office, Oct. 5, 2015.

* cited by examiner

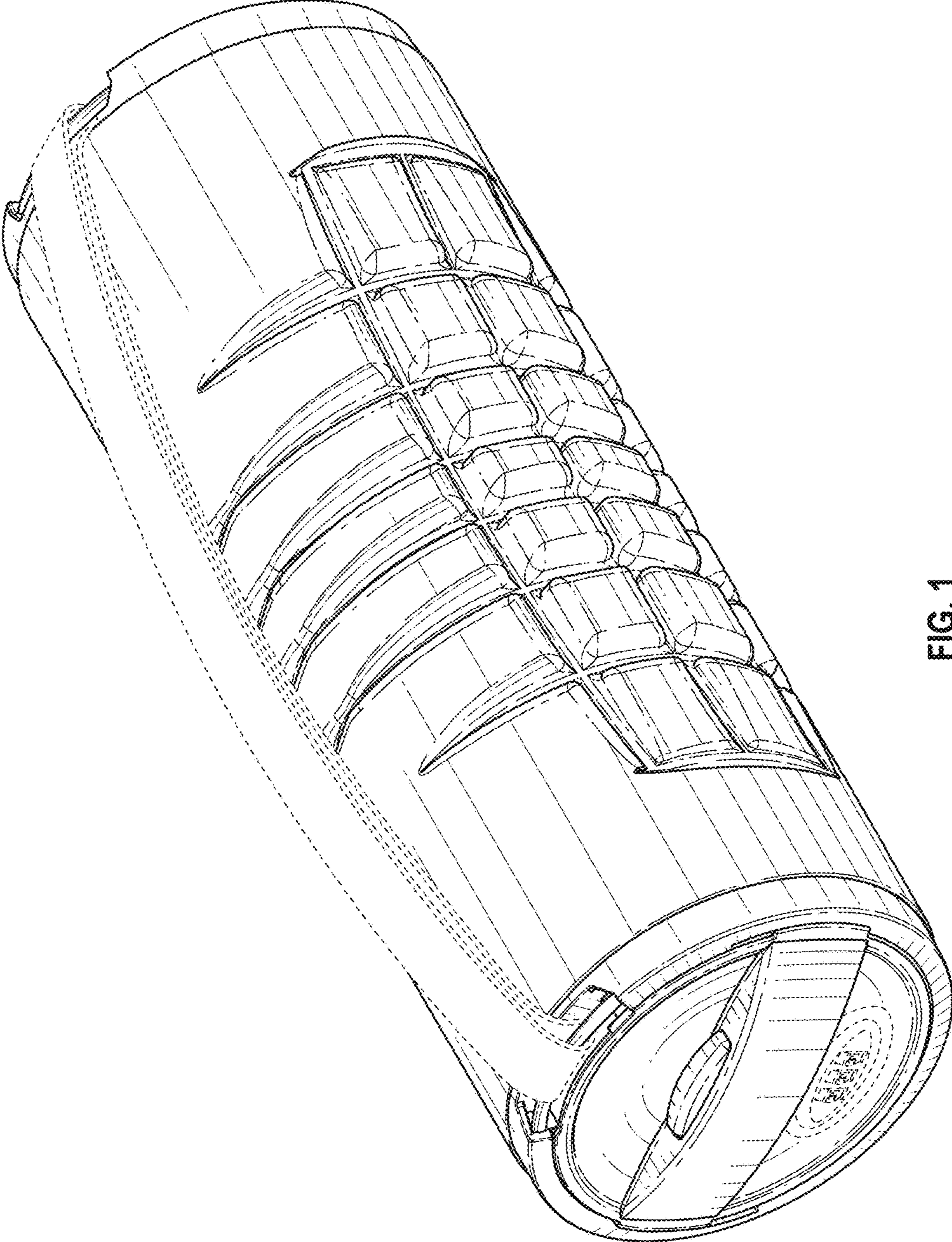


FIG. 1

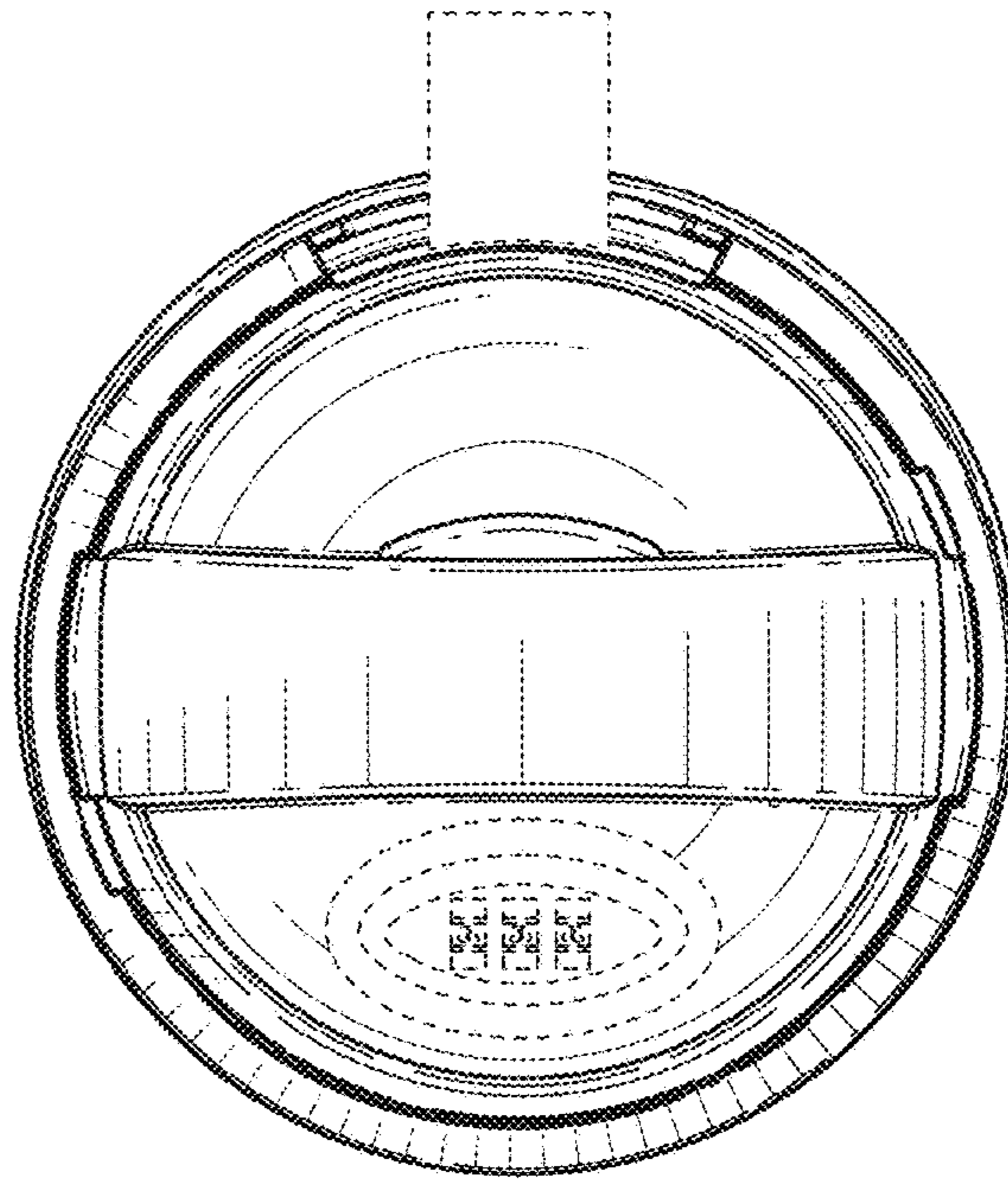


FIG. 2

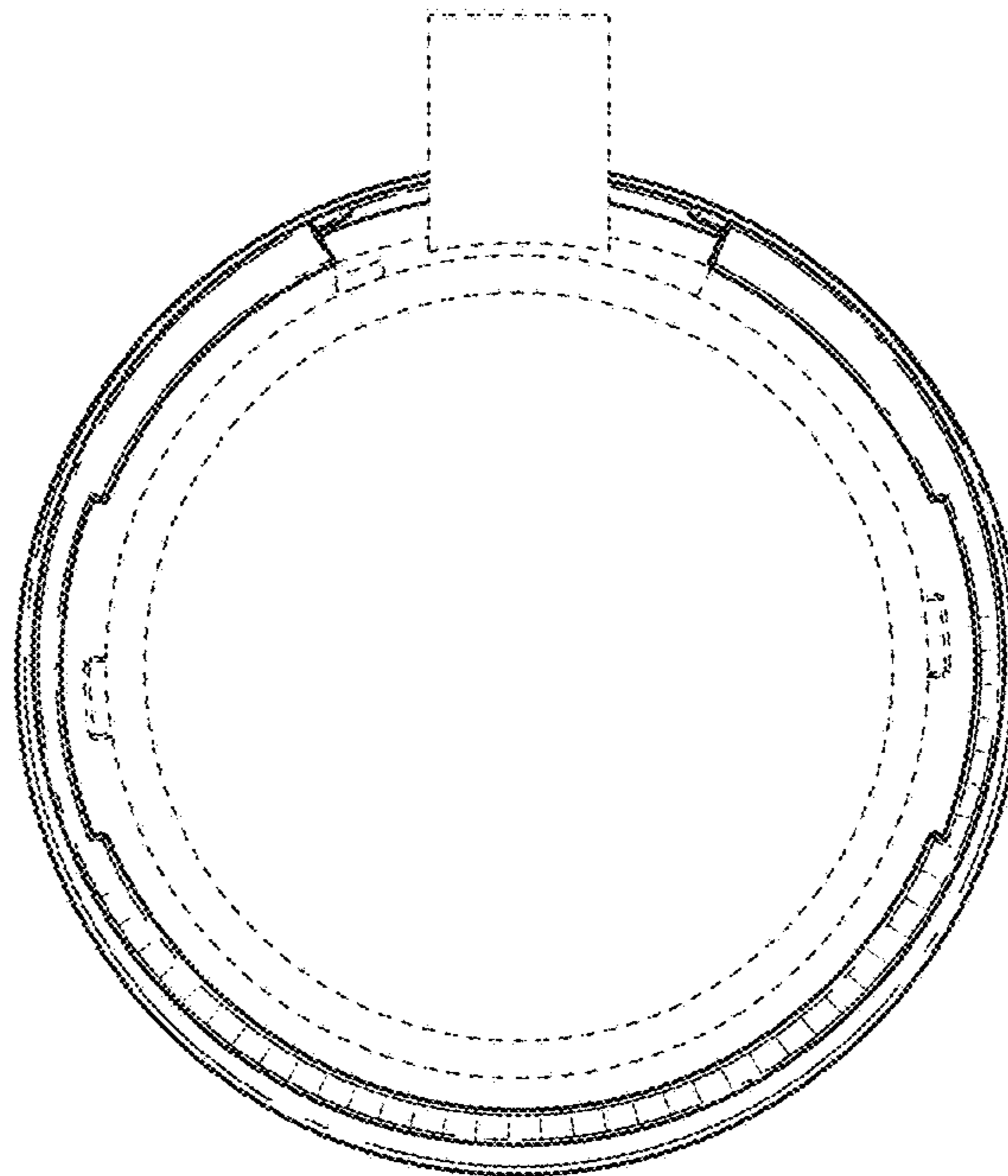


FIG. 3

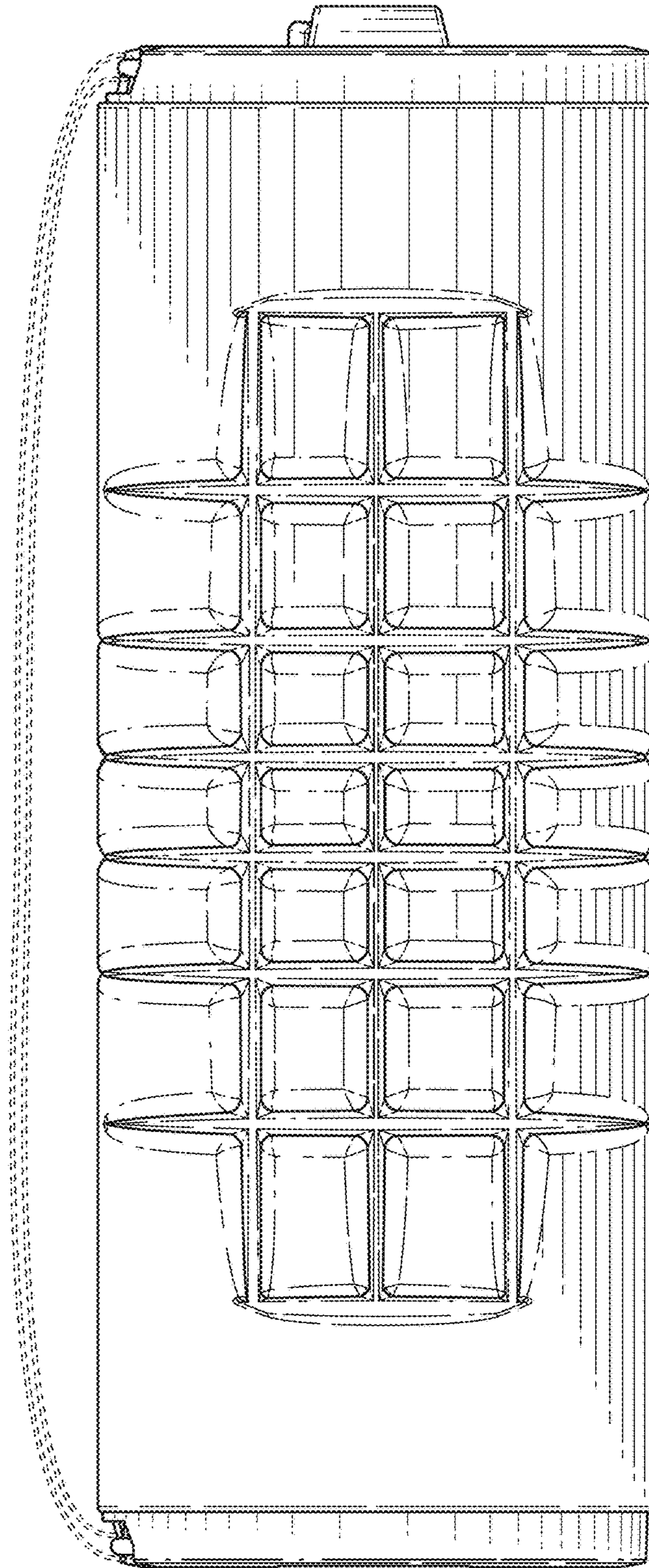


FIG. 4

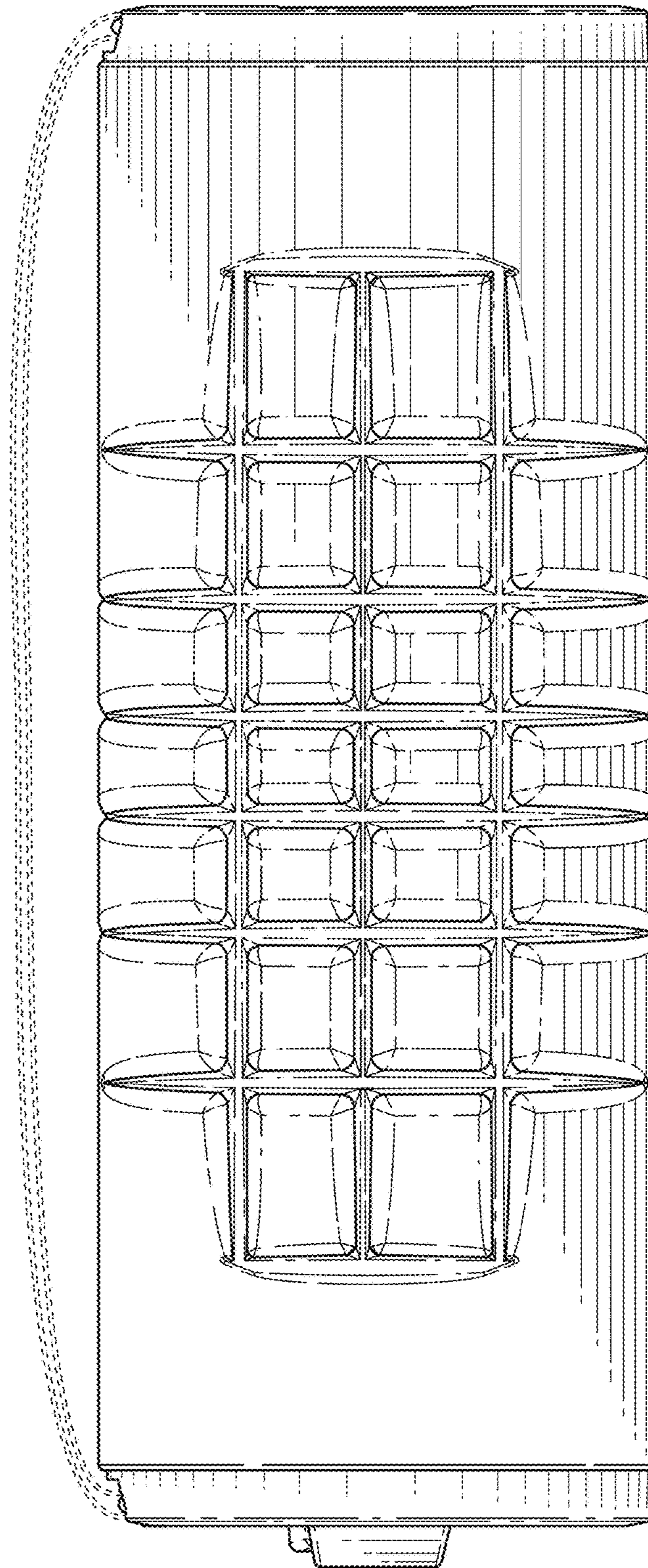


FIG. 5

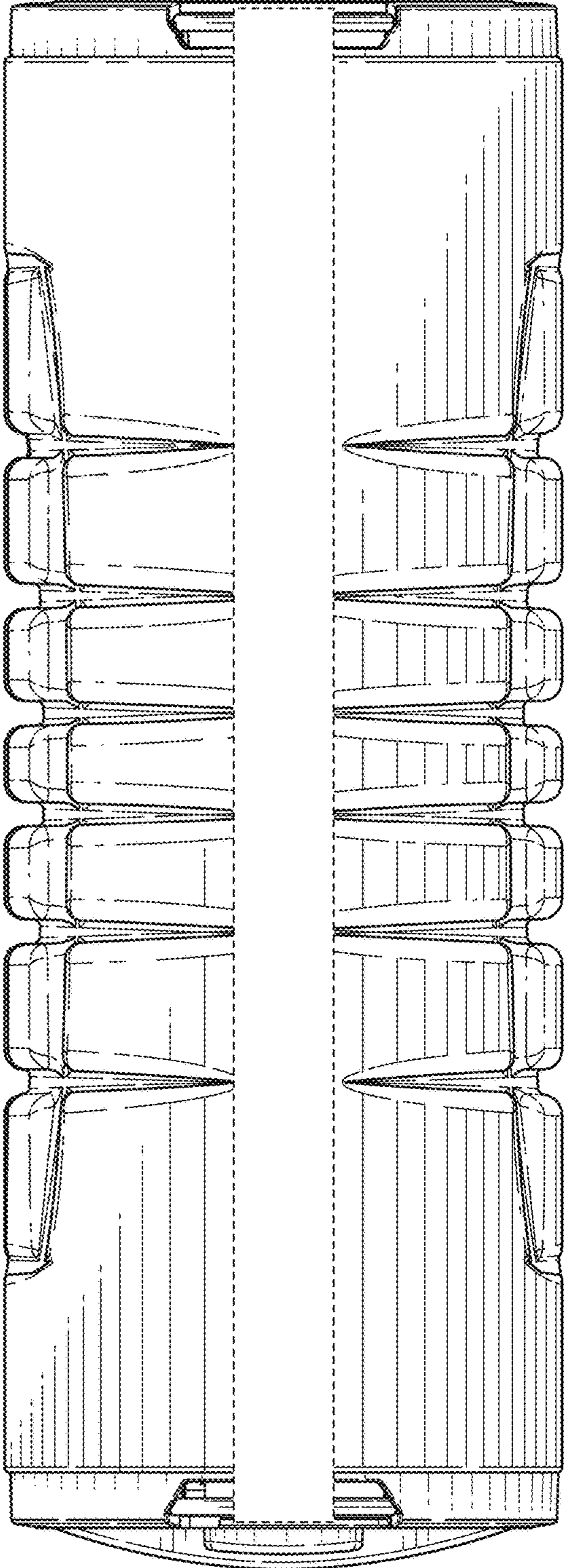


FIG. 6

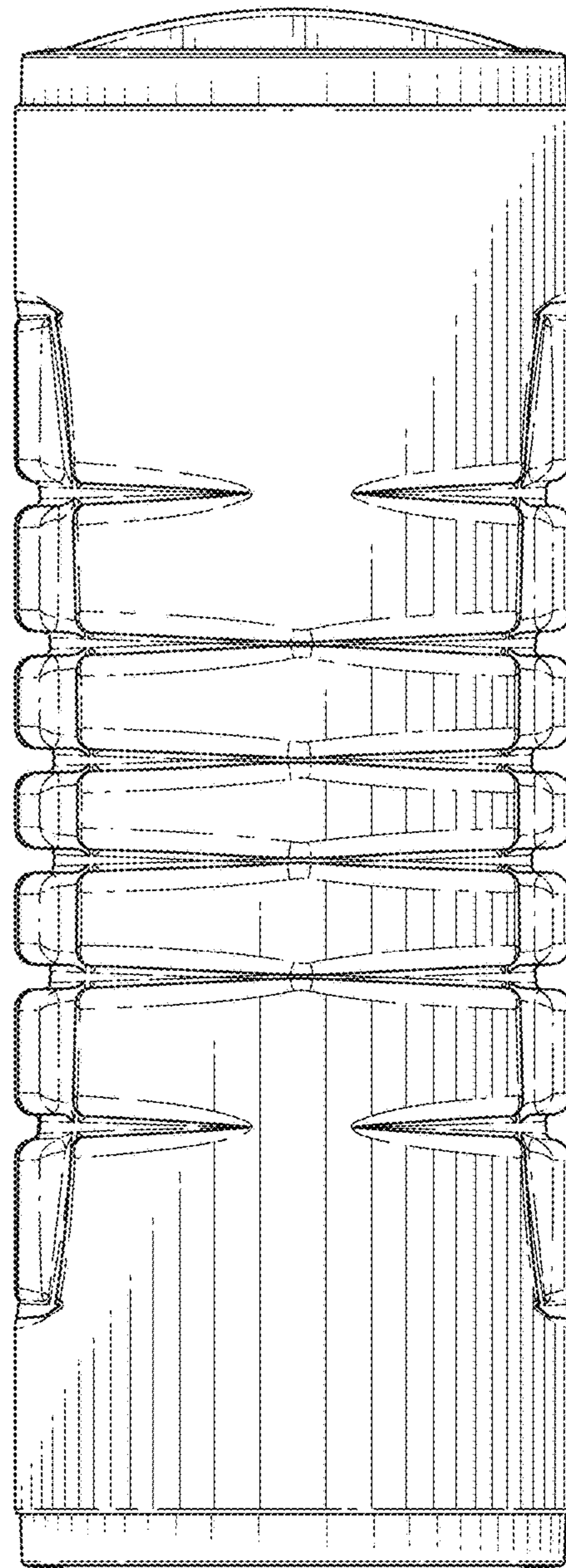


FIG. 7