



US00D785100S

(12) **United States Design Patent**
Austin

(10) **Patent No.:** **US D785,100 S**

(45) **Date of Patent:** **** Apr. 25, 2017**

(54) **BALL WITH TOY FEET**

(71) Applicant: **John Austin**, Deerfield, IL (US)

(72) Inventor: **John Austin**, Deerfield, IL (US)

(**) Term: **14 Years**

(21) Appl. No.: **29/526,326**

(22) Filed: **May 8, 2015**

Related U.S. Application Data

(63) Continuation-in-part of application No. 14/633,935, filed on Feb. 27, 2015.

(51) **LOC (10) Cl.** **21-01**

(52) **U.S. Cl.**

USPC **D21/630**

(58) **Field of Classification Search**

USPC D21/621, 623, 624, 625, 628, 630, 631,
D21/633, 640, 643-649, 659; 446/268,
446/360, 361, 376, 379, 382-384;
D6/595-601

CPC A63H 3/00

See application file for complete search history.

(56) **References Cited**

U.S. PATENT DOCUMENTS

D621,887 S * 8/2010 Rappaport-Rowan D19/59
D641,433 S * 7/2011 Walterscheid D21/630

D654,969 S * 2/2012 Gordon D21/623
D657,366 S * 4/2012 Leung D14/480.2
D711,982 S * 8/2014 Bruno D21/630

* cited by examiner

Primary Examiner — Zenia Bennett

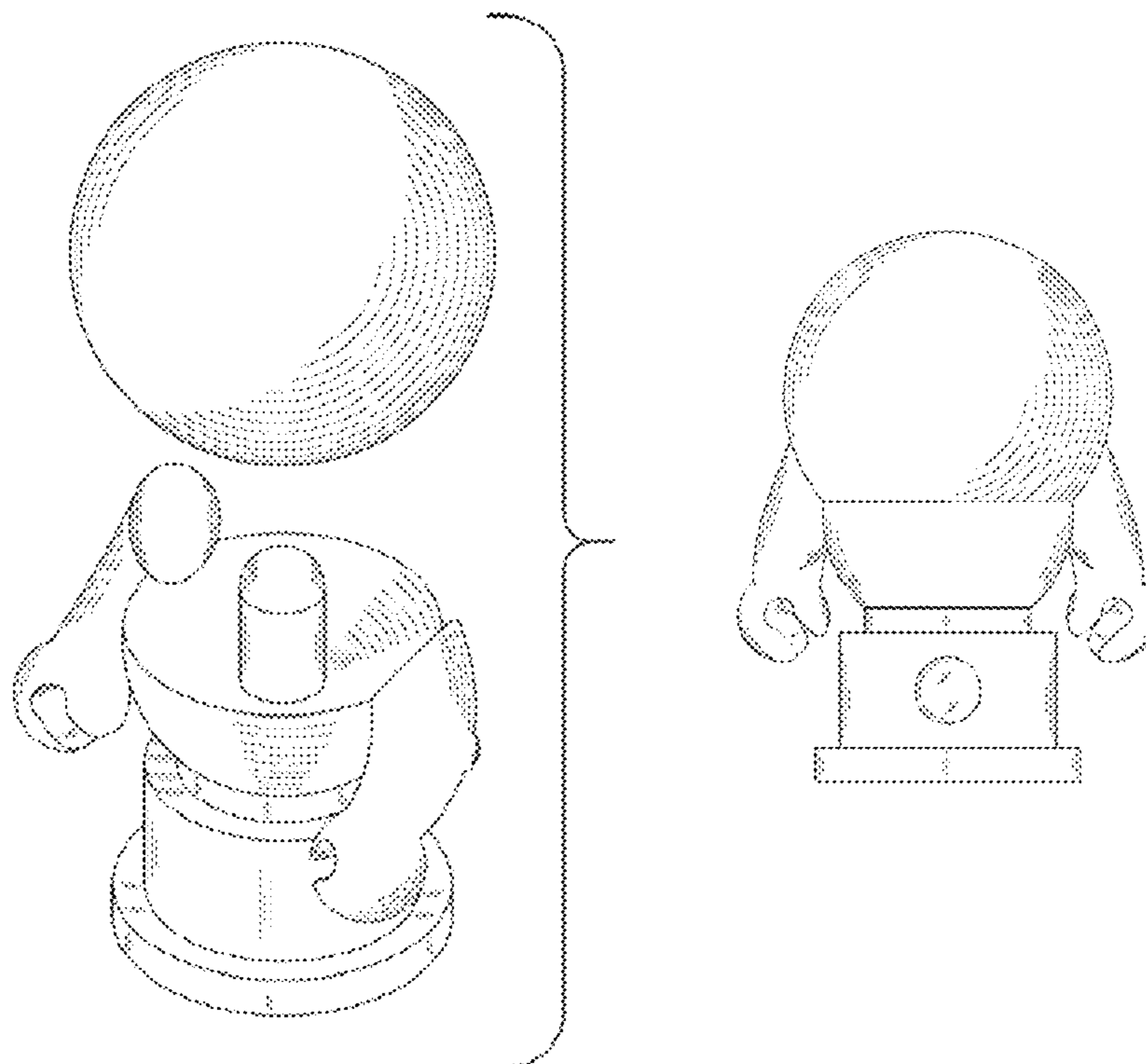
(57) **CLAIM**

The ornamental design for a ball with toy feet, as shown and described.

DESCRIPTION

FIG. 1 is a bottom perspective view of the ball shown in FIG. 9, shown separately for convenience of illustration; FIG. 2 is a bottom view of the ball shown in FIG. 9; FIG. 3 is a top/left/right view of the ball shown in FIG. 9; FIG. 4 is a perspective view of the pedestal shown in FIG. 9; FIG. 5 is a back view of the toy feet shown separately for convenience of illustration; FIG. 6 is a front view of the pedestal shown in FIG. 4; FIG. 7 is a left/right side view of the pedestal shown in FIG. 4; FIG. 8 is a top view of the pedestal shown in FIG. 4; FIG. 9 is a perspective exploded view of FIG. 10; FIG. 10 is a perspective view of the ball with toy feet employing my new design; FIG. 11 is a front view of FIG. 10; FIG. 12 is a left/right side view of FIG. 10; FIG. 13 is a top view of FIG. 10; and, FIG. 14 is a back side view of FIG. 10.

1 Claim, 4 Drawing Sheets



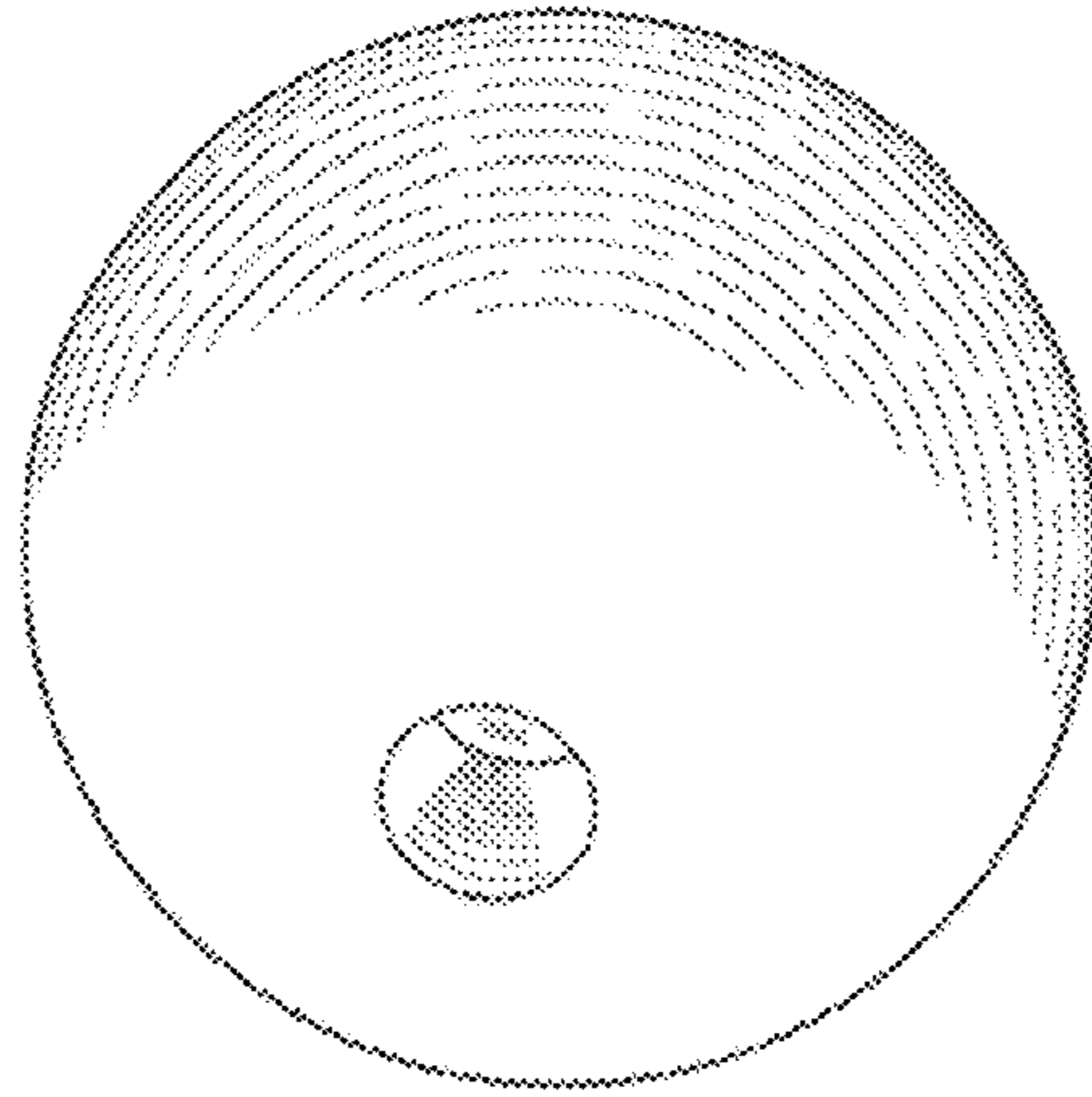


FIG. 1

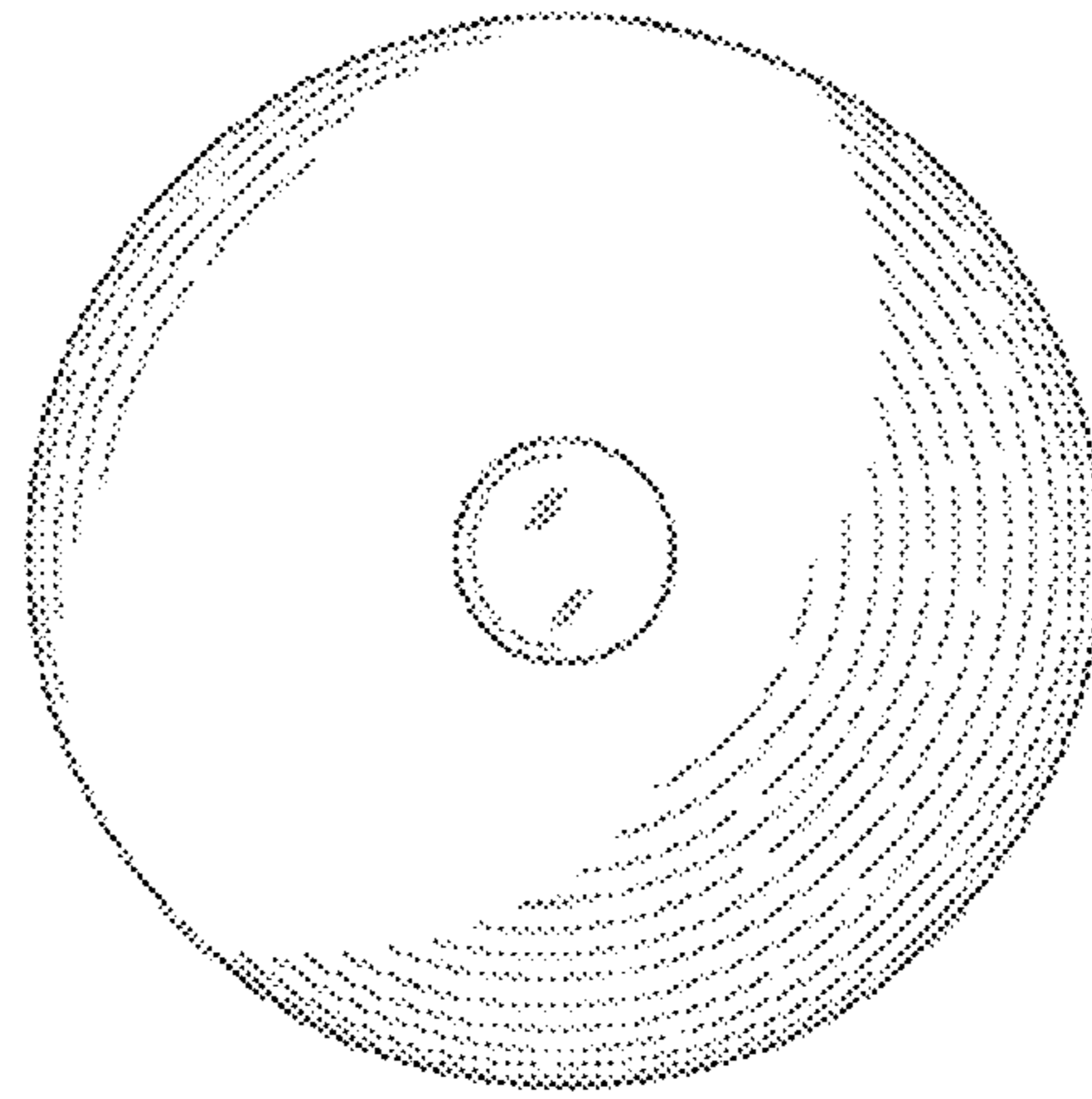


FIG. 2

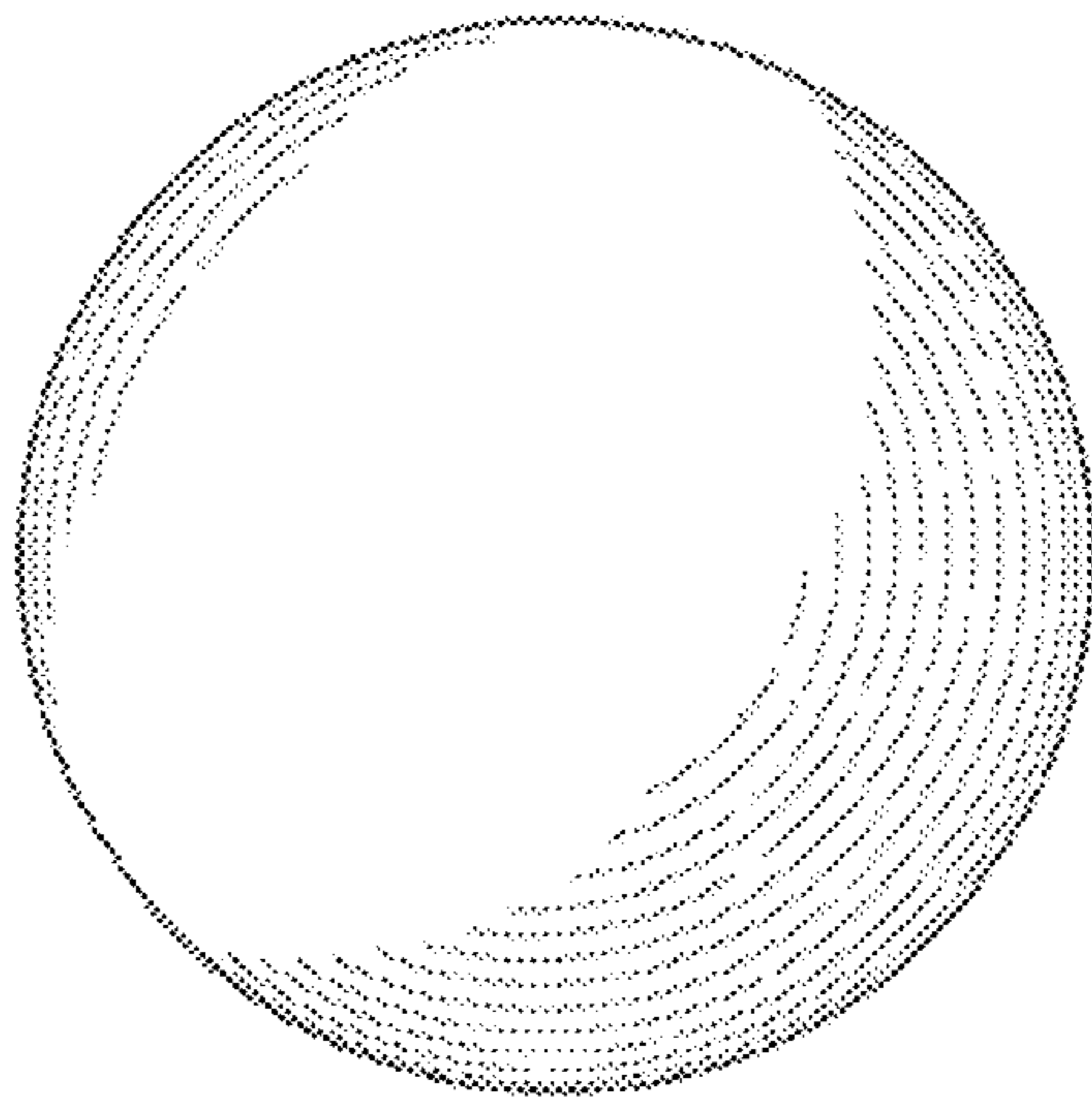


FIG. 3

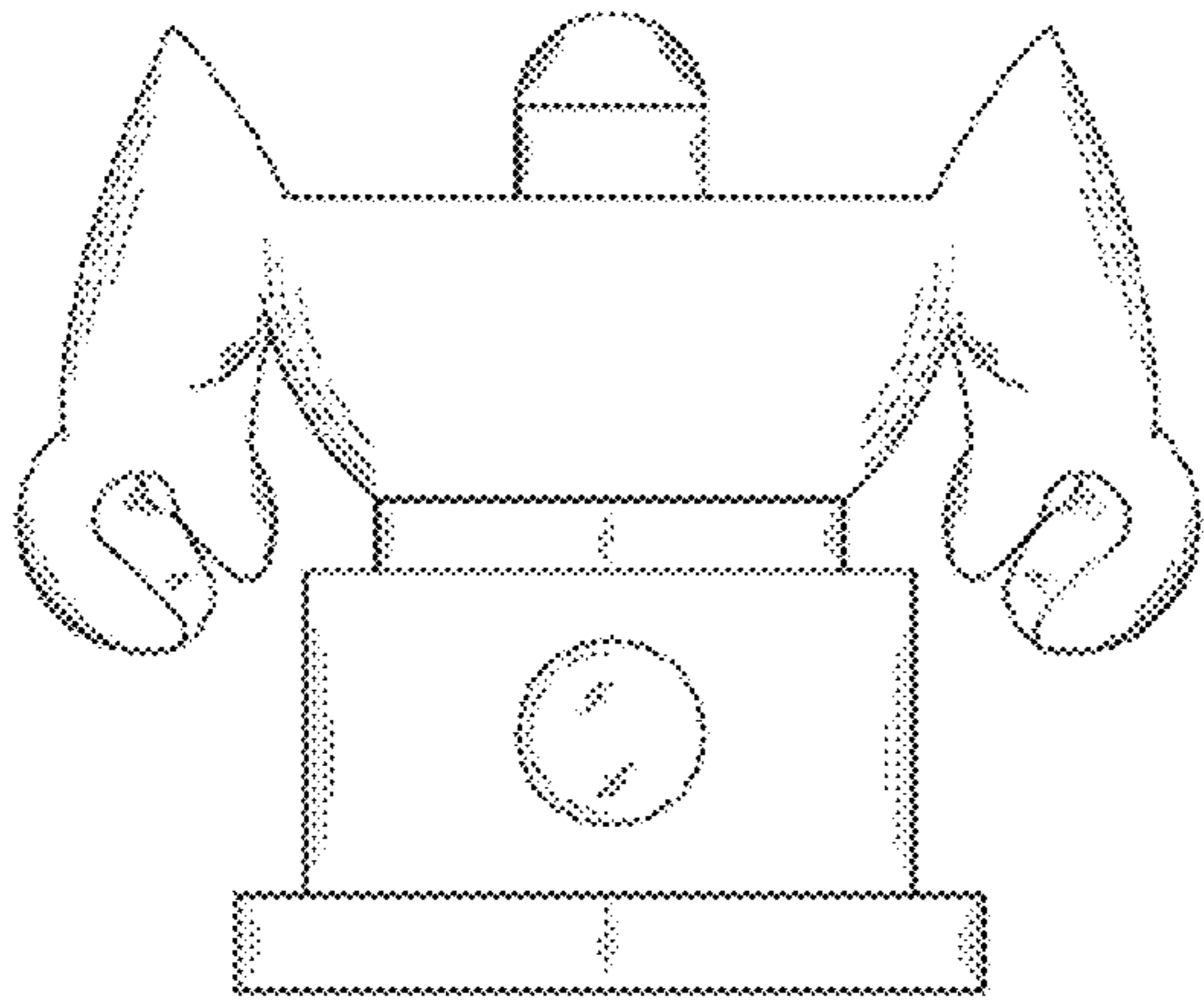


FIG. 5

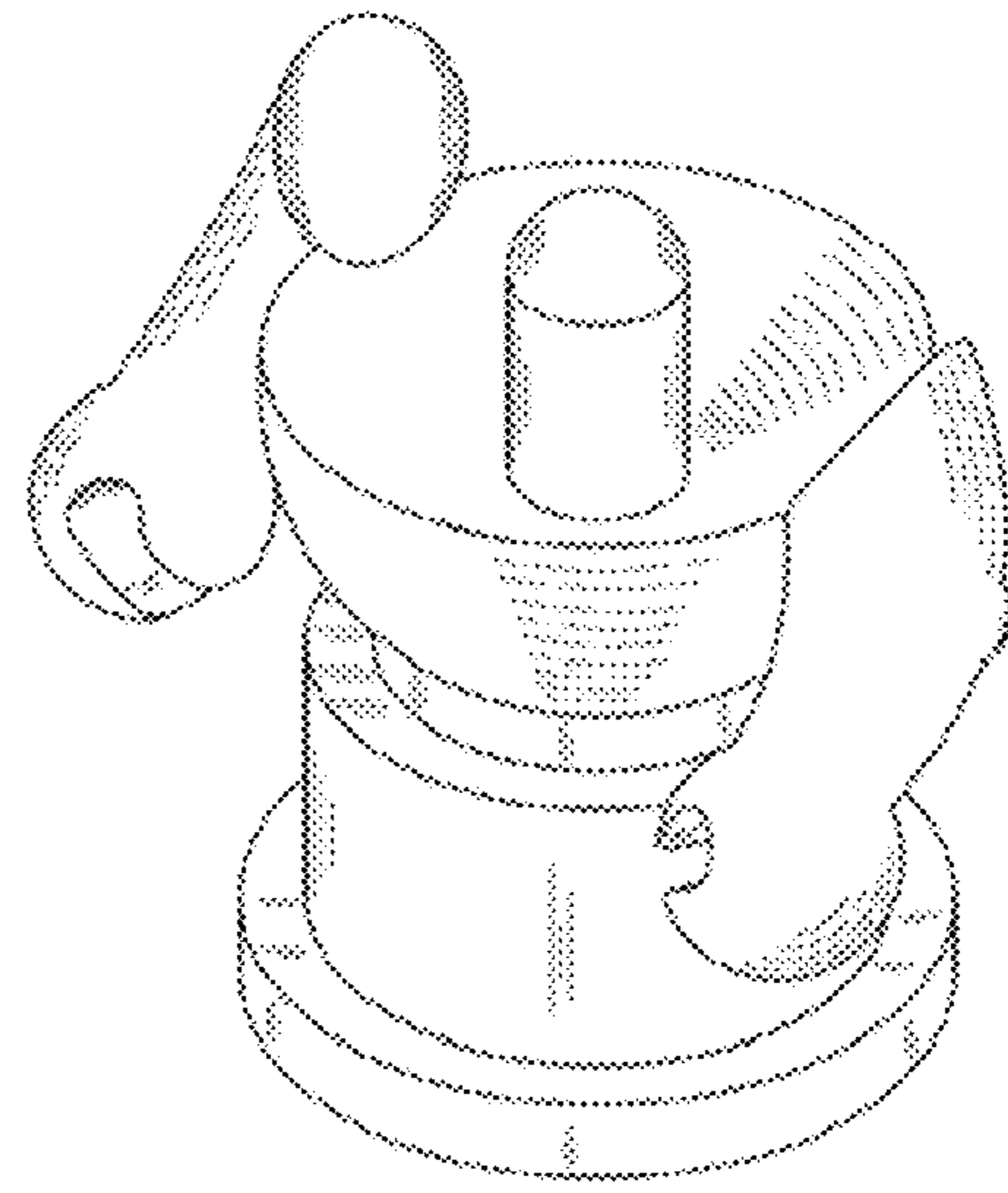


FIG. 4

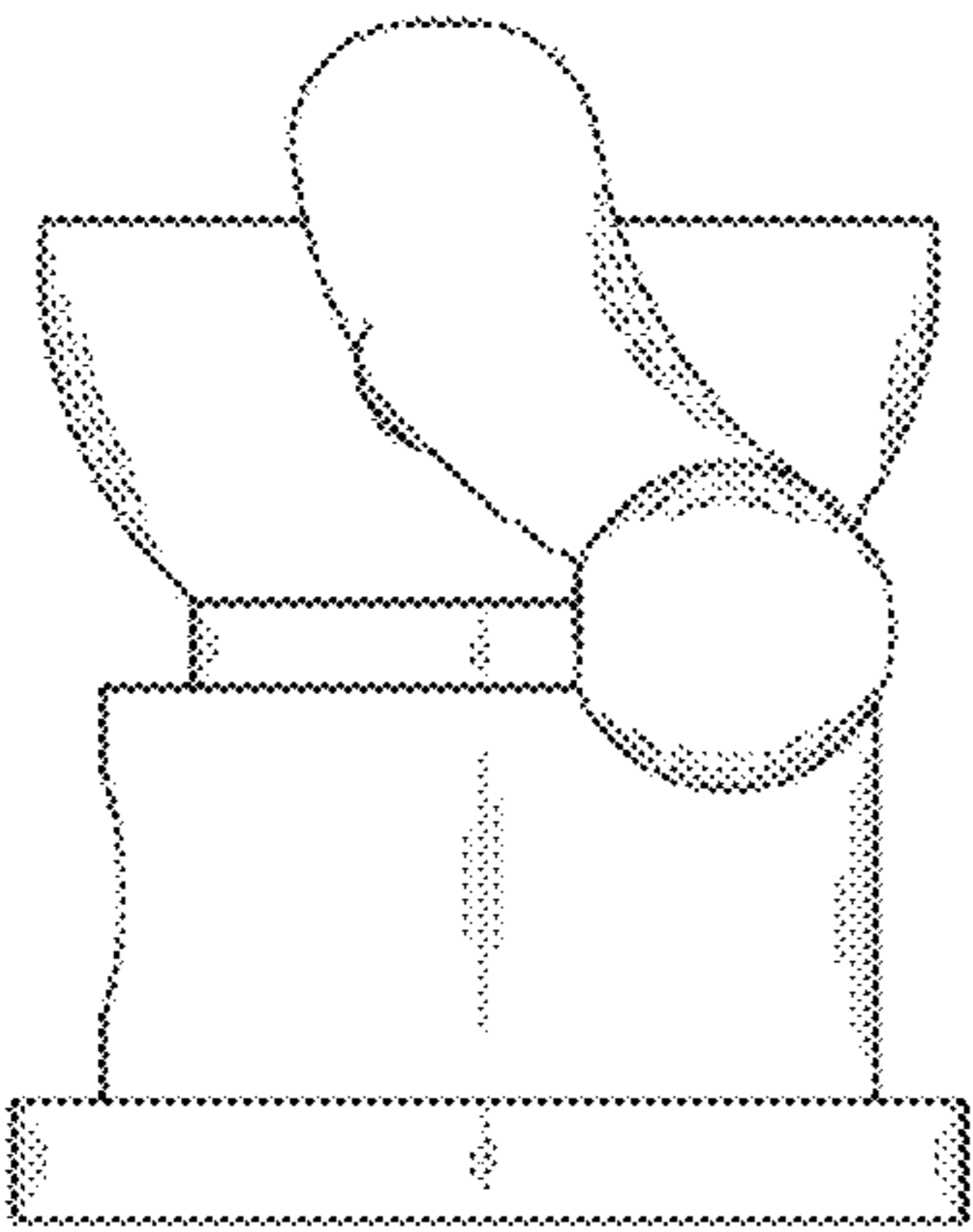


FIG. 7

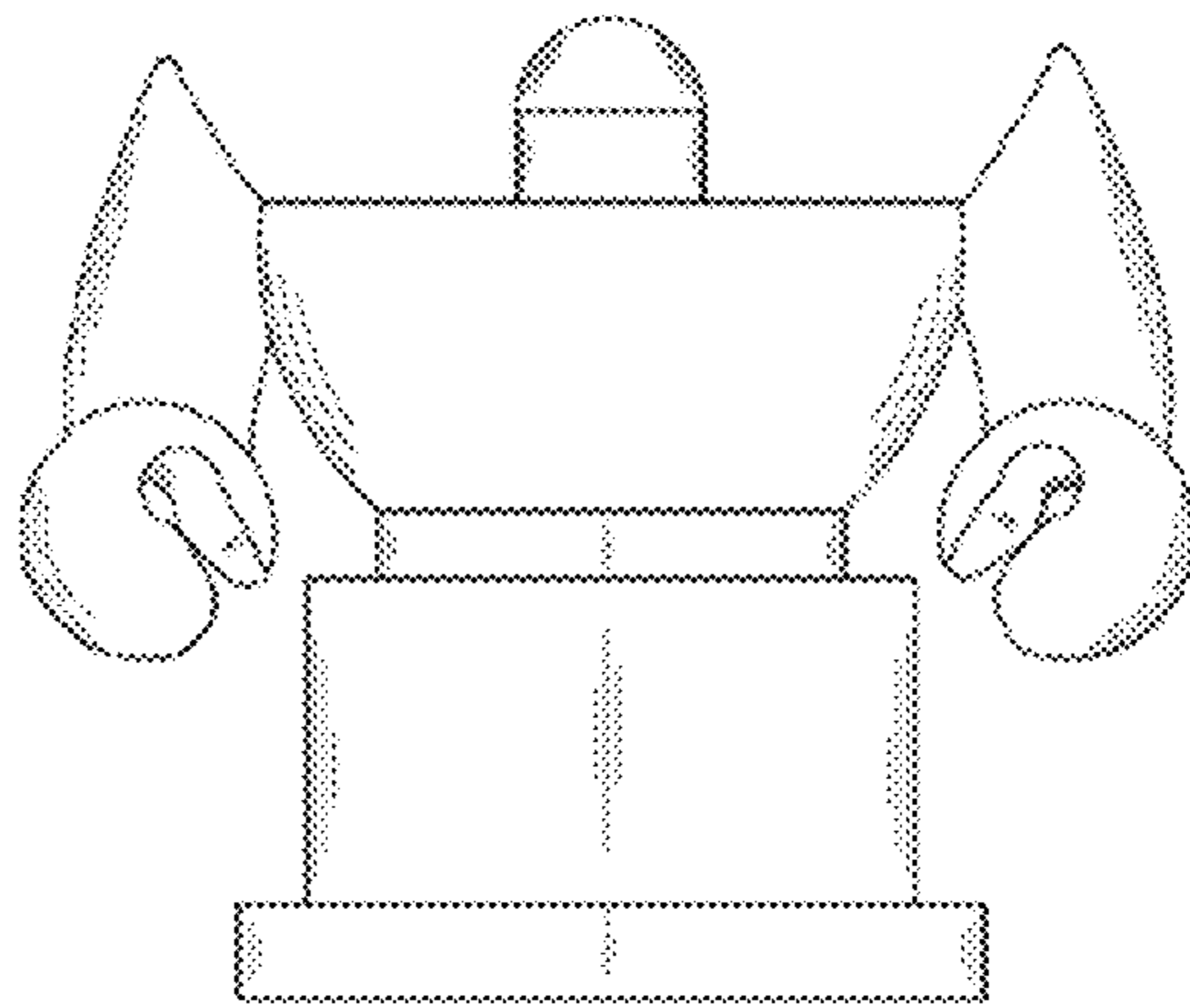


FIG. 6

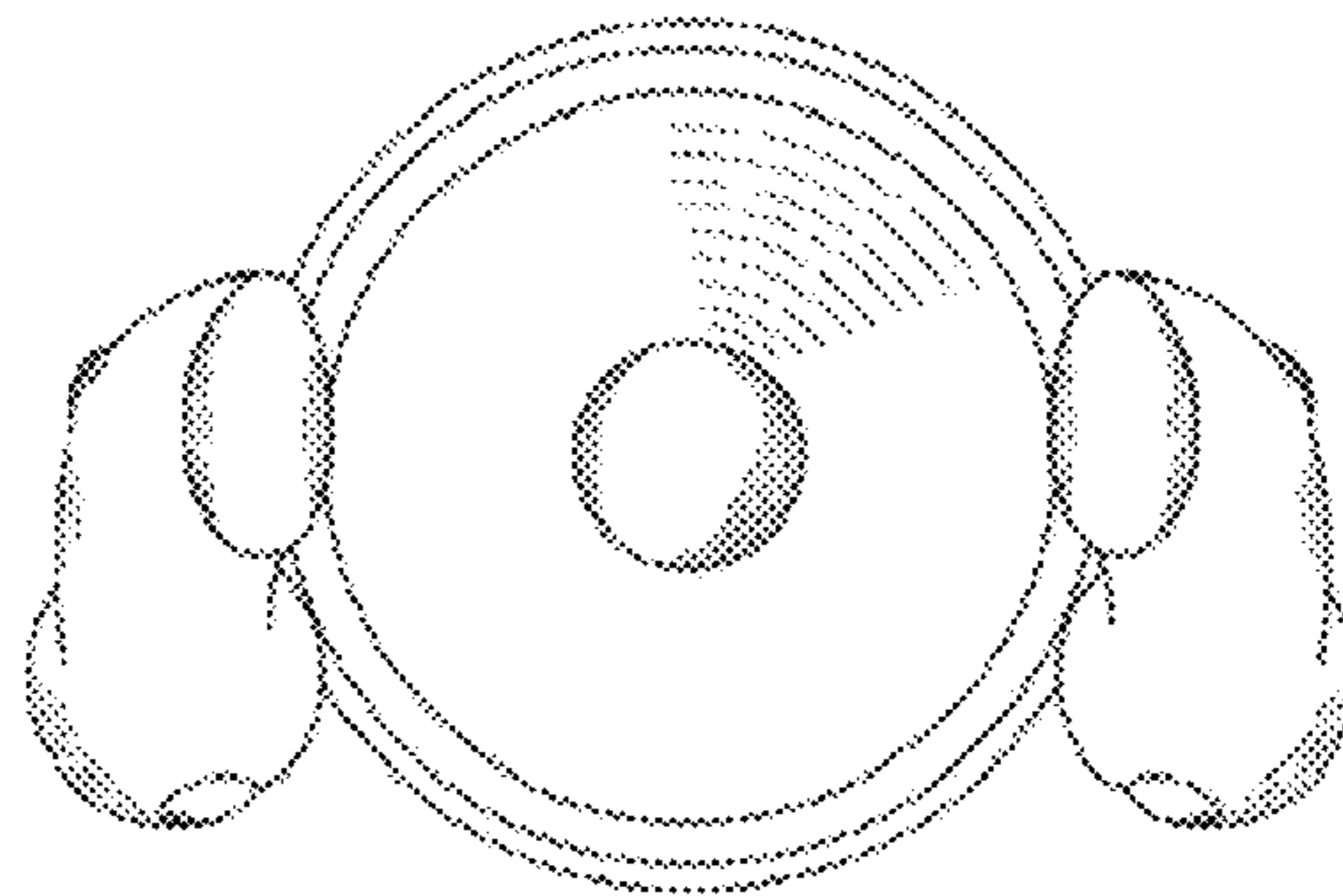


FIG. 8

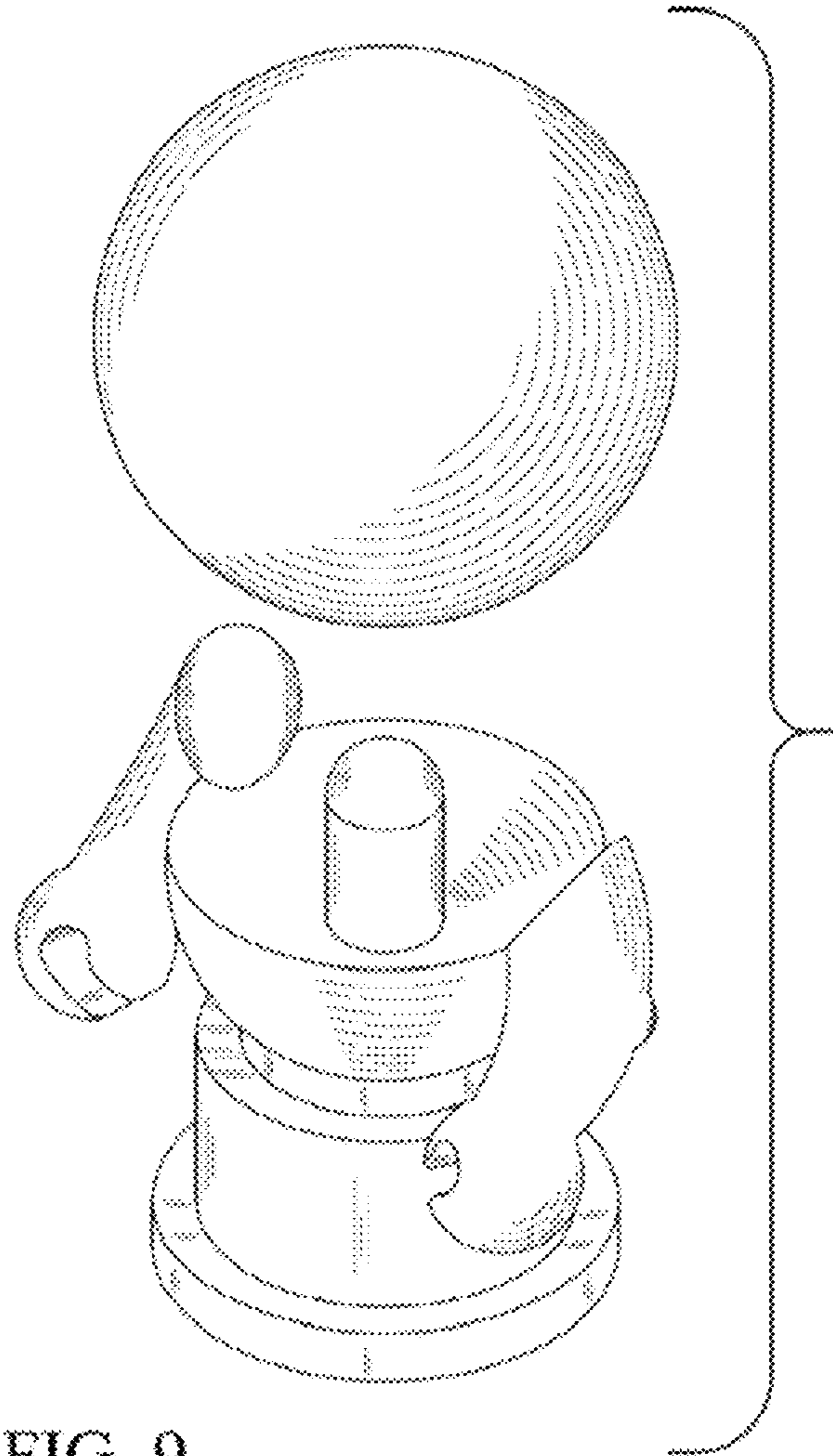


FIG. 9

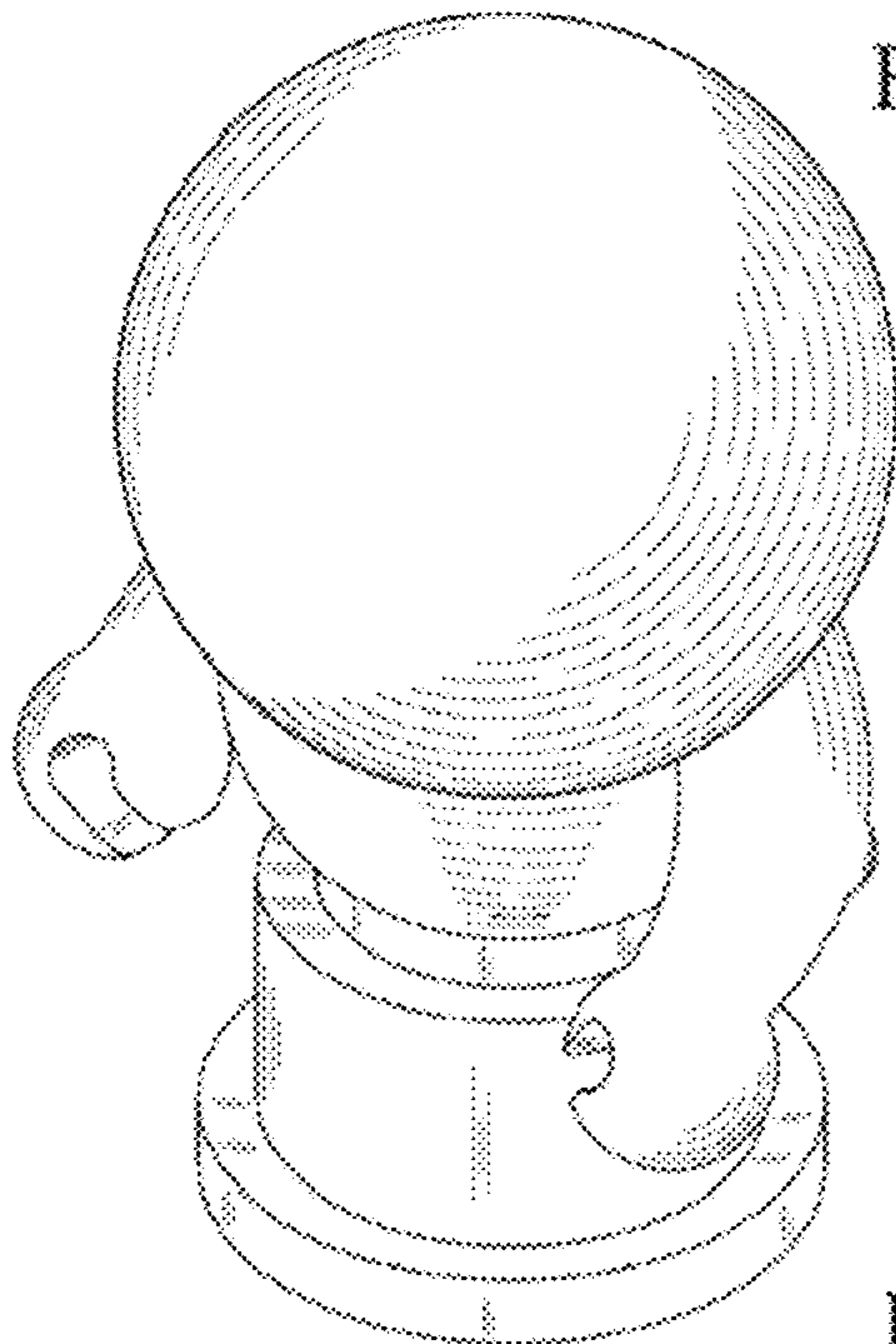


FIG. 10

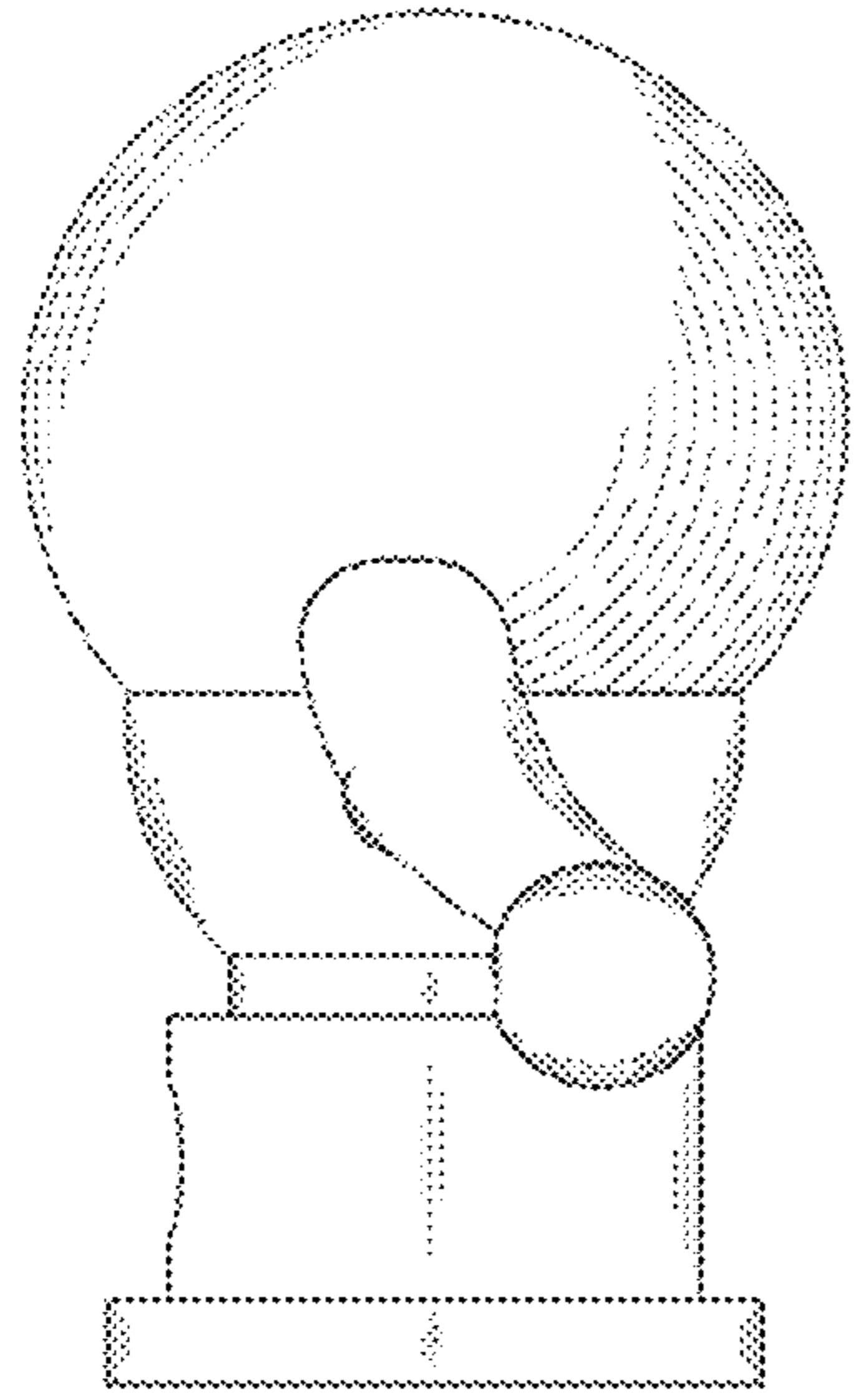


FIG. 12

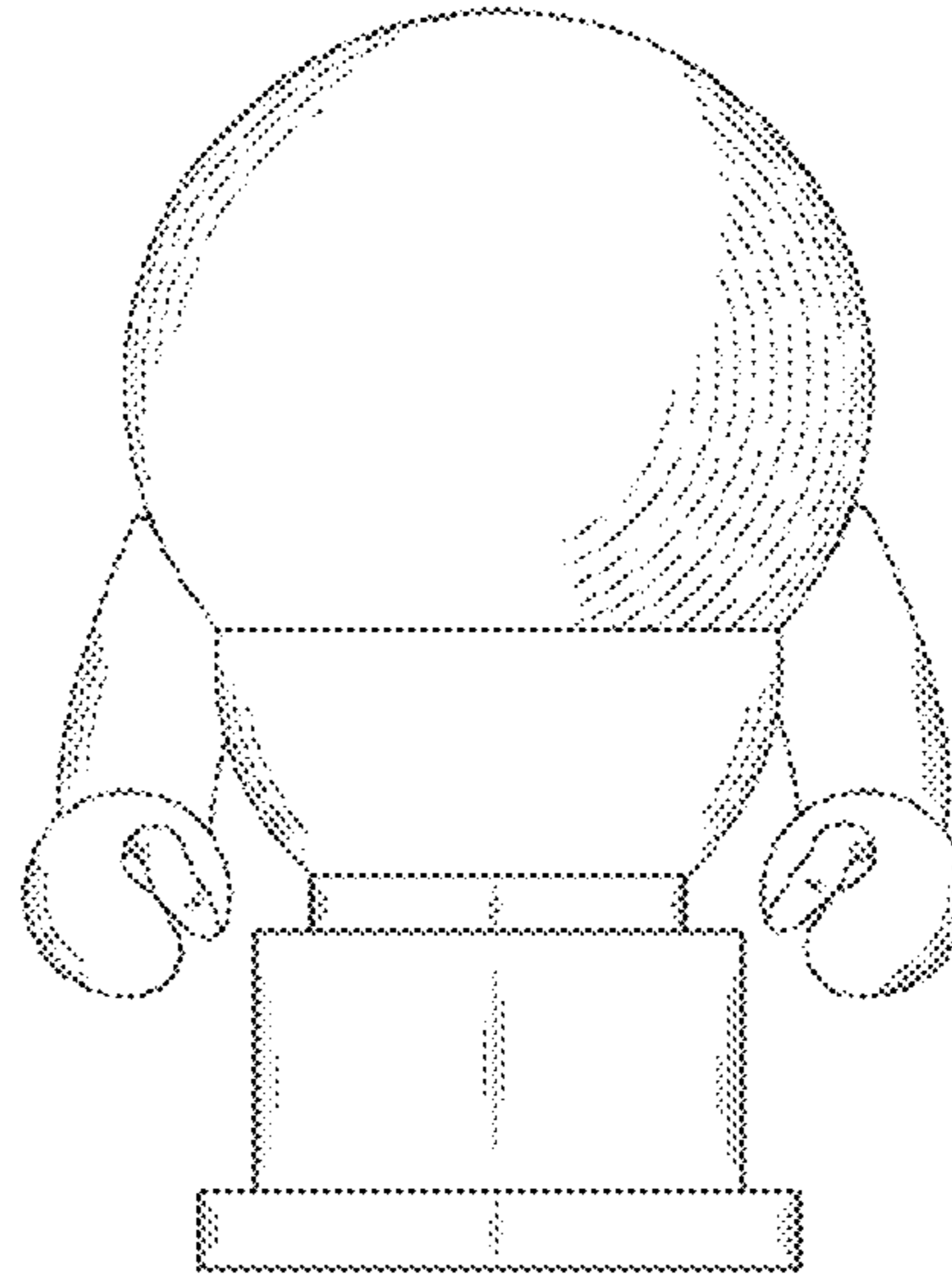


FIG. 11

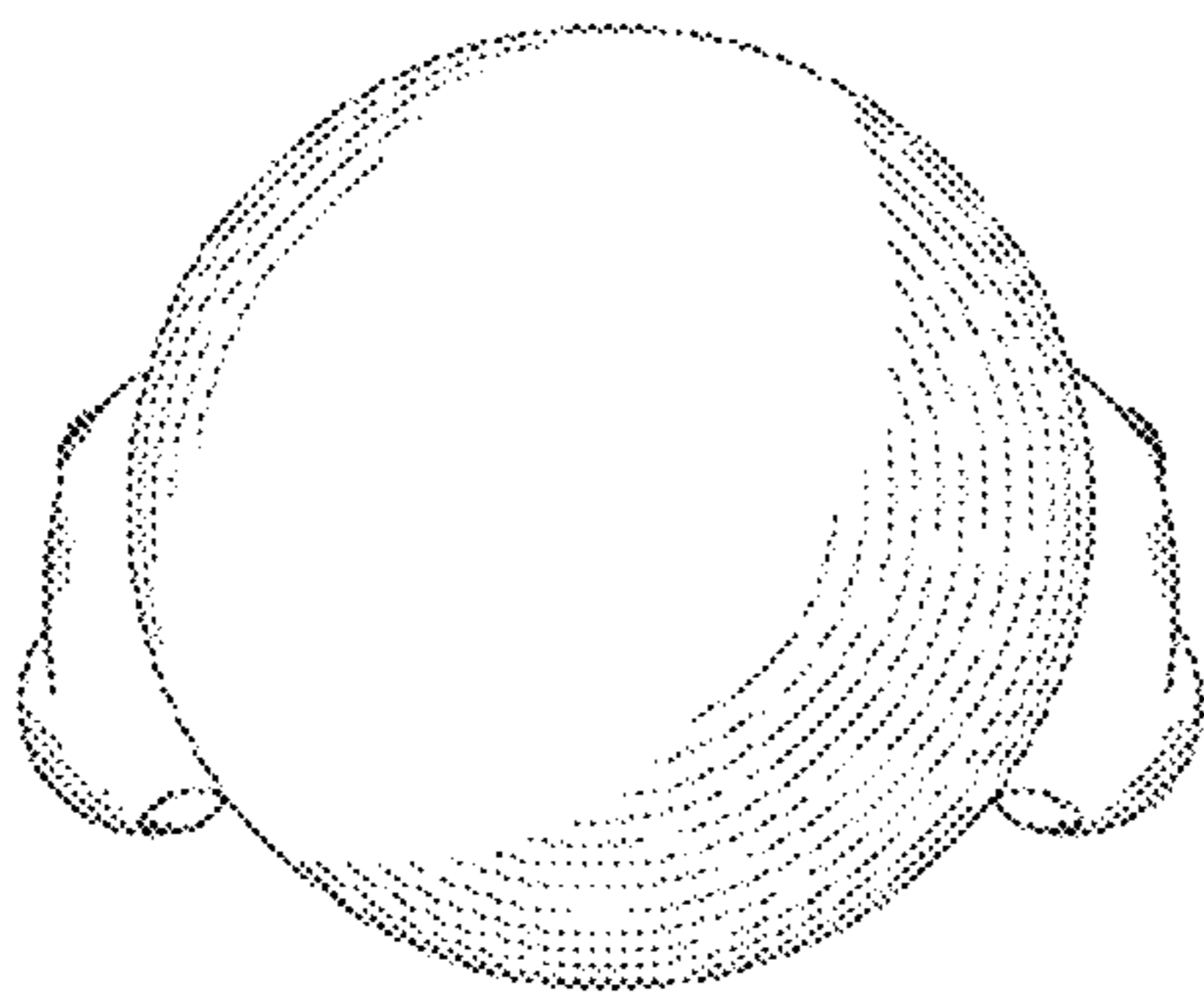


FIG. 13

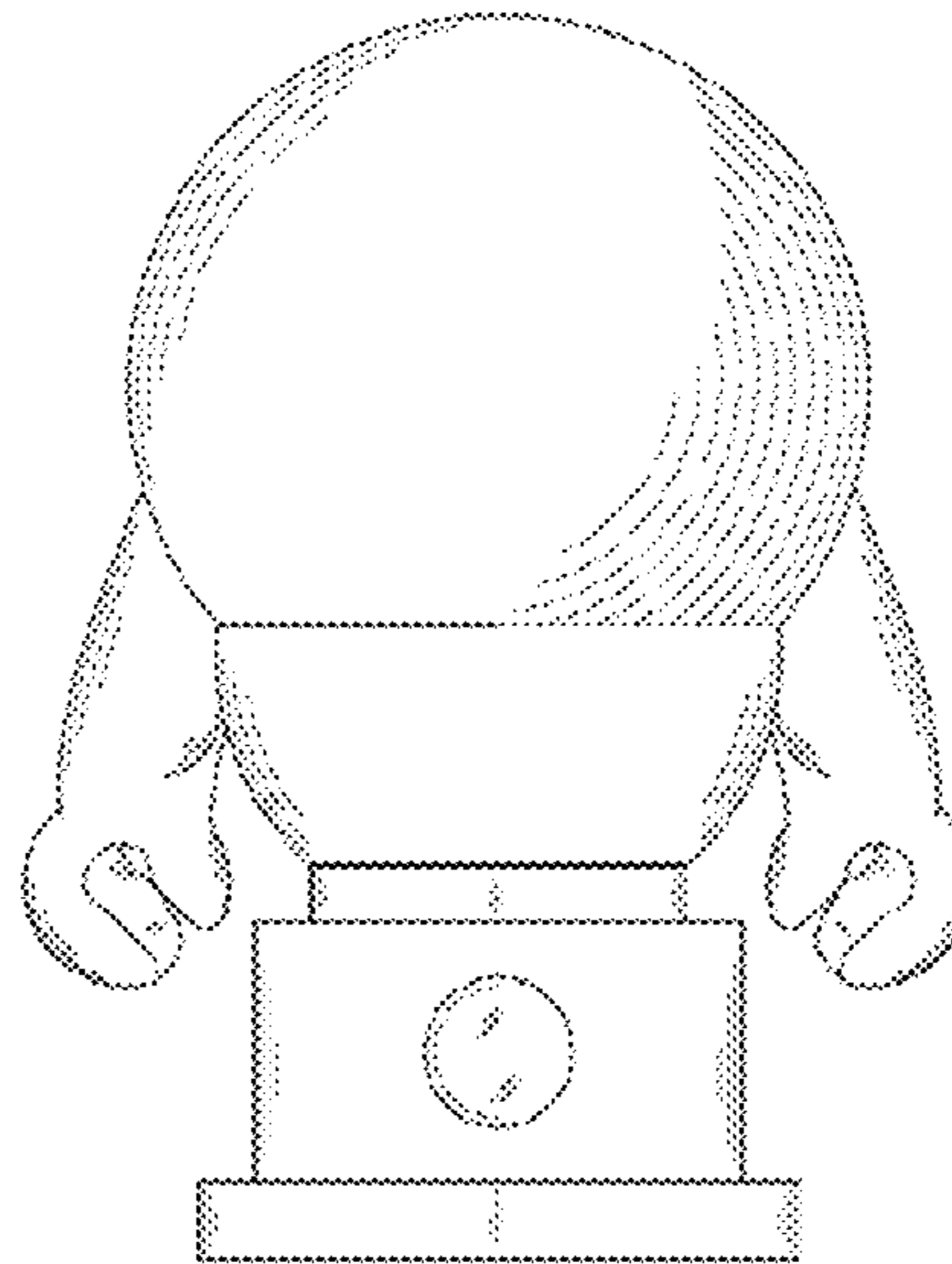


FIG. 14