



US00D785098S

(12) **United States Design Patent**
Hill

(10) **Patent No.:** **US D785,098 S**

(45) **Date of Patent:** **** Apr. 25, 2017**

- (54) **YARD GOLF GAME KIT**
- (71) Applicant: **Ralph Hill**, Boonville, MO (US)
- (72) Inventor: **Ralph Hill**, Boonville, MO (US)
- (**) Term: **15 Years**
- (21) Appl. No.: **29/550,743**
- (22) Filed: **Jan. 6, 2016**
- (51) **LOC (10) Cl.** **21-01**
- (52) **U.S. Cl.**
USPC **D21/319**
- (58) **Field of Classification Search**
USPC D21/319, 300, 301, 312, 334; 273/108,
273/118 R, 108.5, 108.51-108.57, 398,
273/400, 317.2, 108.2, 108.21, 123 R;
473/151-155, 190, 192, 198, 219, 222,
473/225, 278, 351, 340
CPC . A63B 69/36; A63B 69/3676; A63B 69/3691;
A63B 67/02
See application file for complete search history.

- 5,042,813 A * 8/1991 Huang A63B 67/02
473/153
- 5,154,426 A 10/1992 Black
- D350,989 S * 9/1994 Lanier D21/319
- 5,516,108 A 5/1996 Foster
- D382,601 S * 8/1997 Antill D21/303
- D392,334 S * 3/1998 Taylor D21/319
- 5,984,793 A * 11/1999 Palombi A63B 63/00
473/193
- 7,566,275 B2 * 7/2009 Yun A63B 24/0021
473/152
- 7,744,479 B2 6/2010 Whitfield

* cited by examiner

Primary Examiner — Prabhakar Deshmukh
(74) *Attorney, Agent, or Firm* — Stevenson IP, LLC

(57) **CLAIM**

The ornamental design for a yard golf game kit, as shown and described.

DESCRIPTION

FIG. 1 is a front elevational view of a yard golf game kit showing my new design;
 FIG. 2 is a rear elevational view thereof;
 FIG. 3 is a right side elevational view thereof;
 FIG. 4 is a left side elevational view thereof;
 FIG. 5 is a top plan view thereof;
 FIG. 6 is a bottom plan view thereof; and,
 FIG. 7 is an enlarged perspective view of one of the wicket of the yard golf game kit, shown for clarity.
 FIG. 1 discloses one of the wicket with the surface details and it is understood that the surface details is applied to all other remaining wickets. The broken lines in FIG. 7 illustrate environment and form no part of the claimed design. The golf kit contains wickets, putter, pitching wedge and golf balls as shown in FIGS. 1-6.

1 Claim, 6 Drawing Sheets

(56) **References Cited**

U.S. PATENT DOCUMENTS

- 2,974,958 A * 3/1961 O'Herron A63B 67/02
273/127 B
- 3,027,163 A * 3/1962 Saatzer A63B 53/04
273/127 B
- D202,792 S * 11/1965 Goransson 473/158
- 3,558,140 A * 1/1971 Romeo A63B 69/36
273/396
- 3,986,718 A * 10/1976 Long A63B 67/02
273/125 A
- 4,148,487 A * 4/1979 Bouve A63F 7/305
273/123 R
- D255,821 S * 7/1980 Goransson D21/319

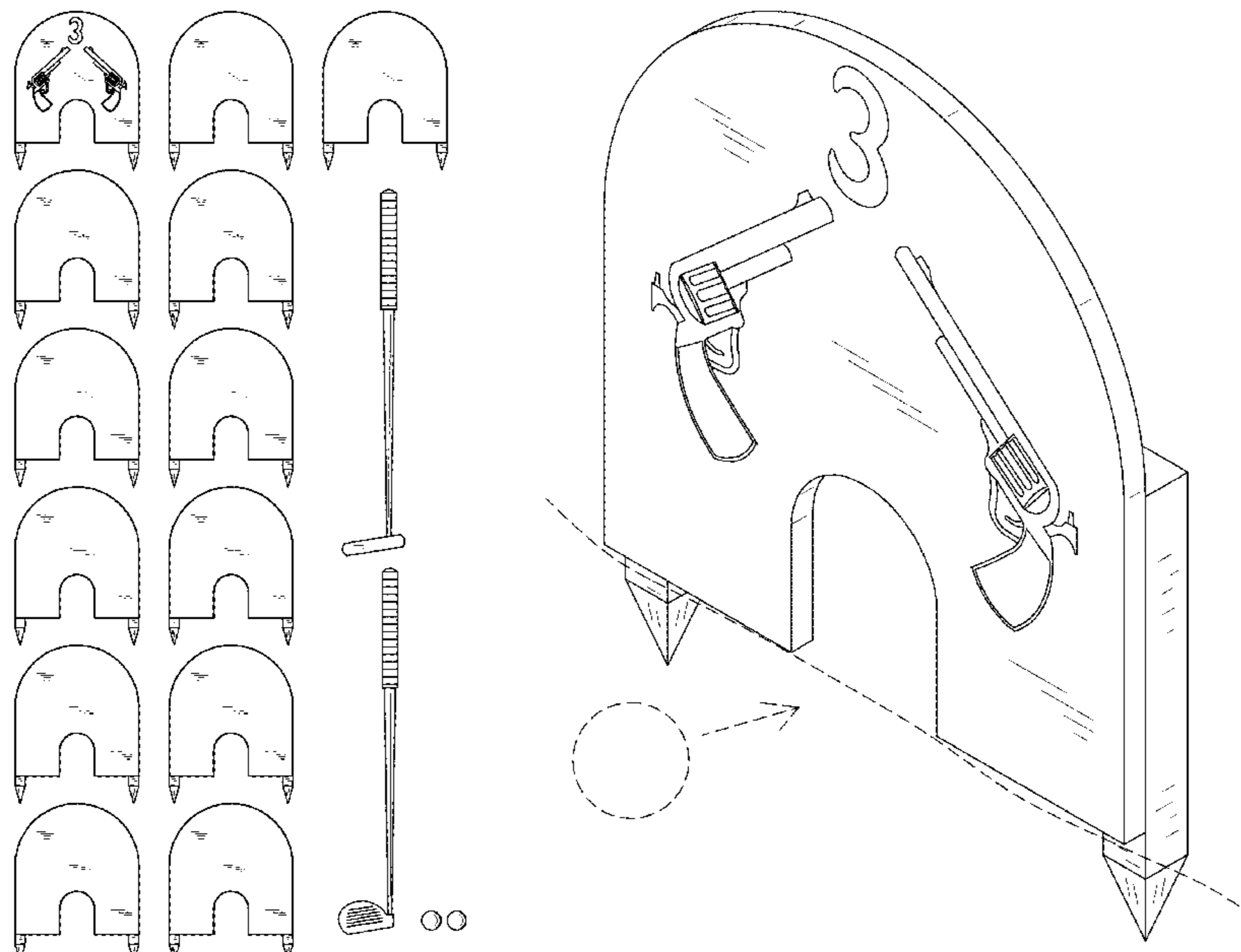


FIG. 1

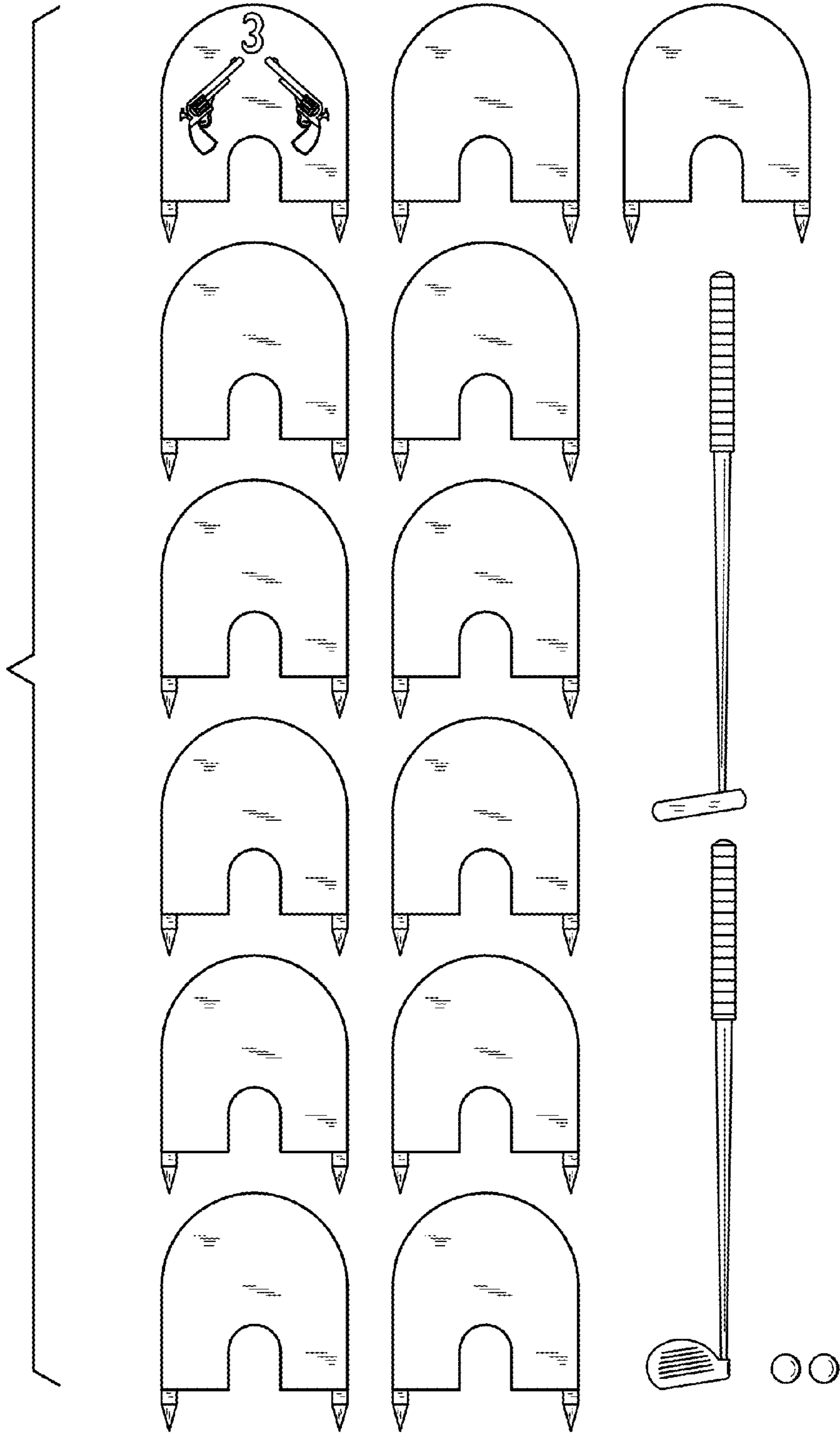


FIG. 2

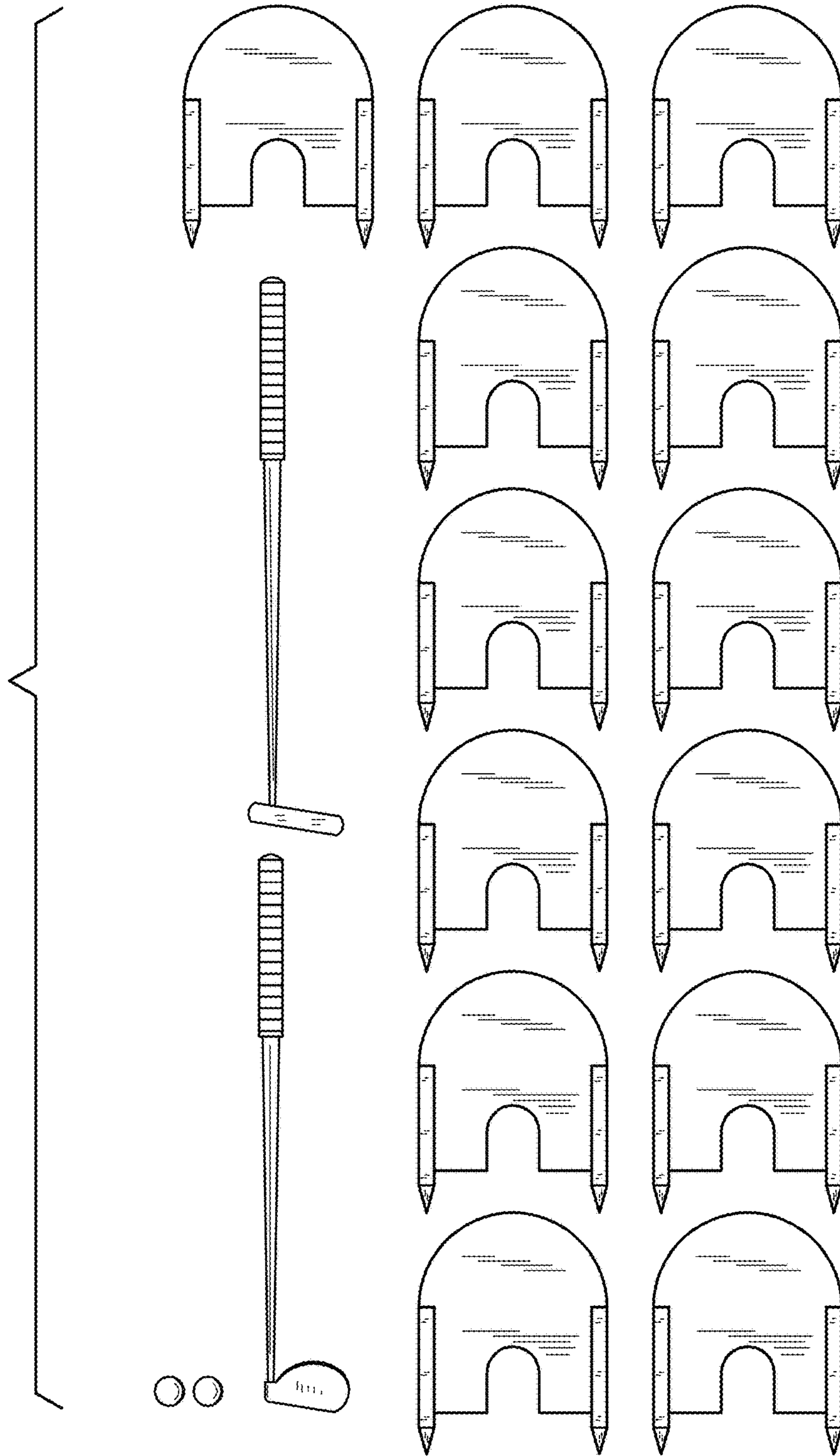
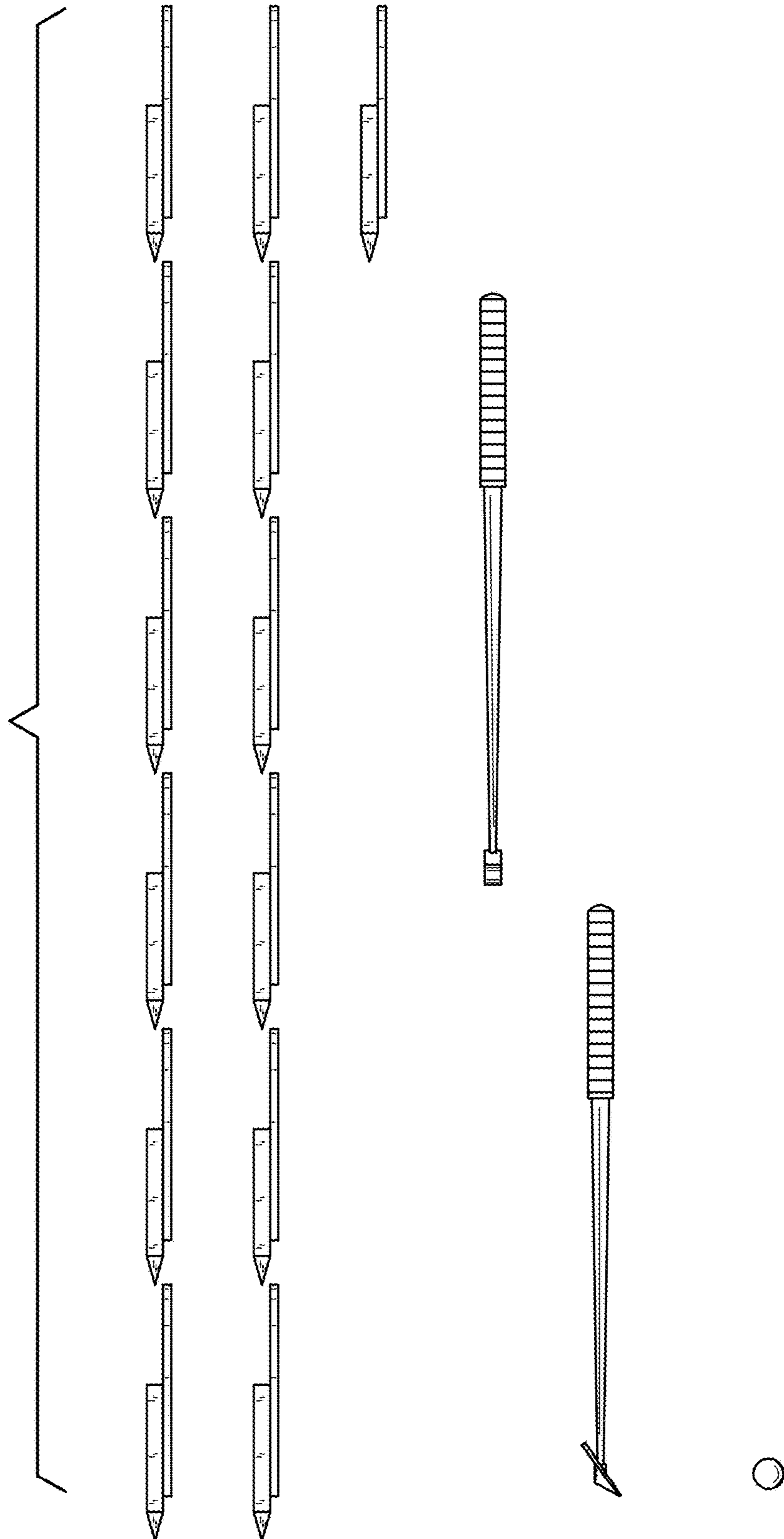
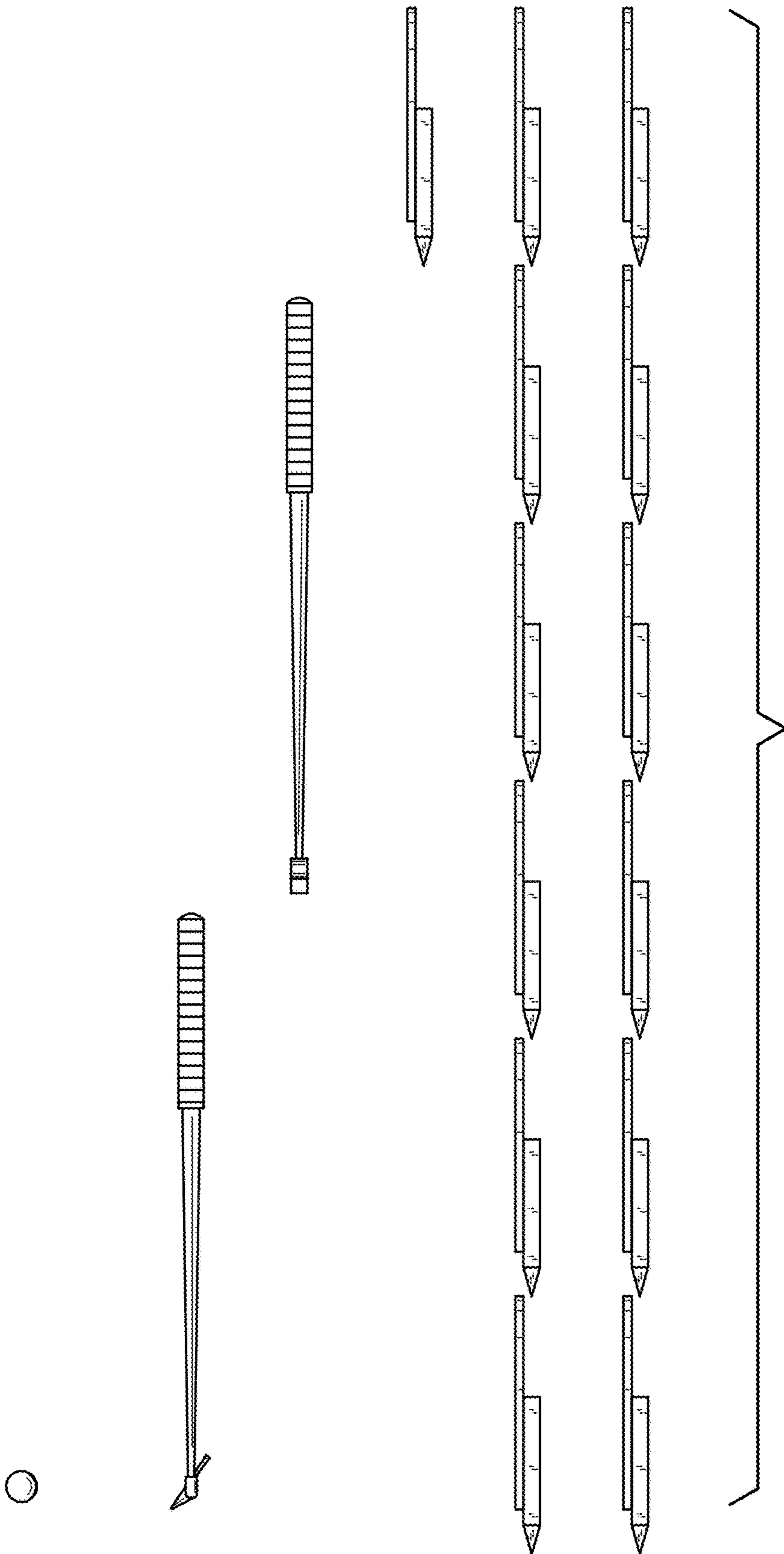


FIG. 3





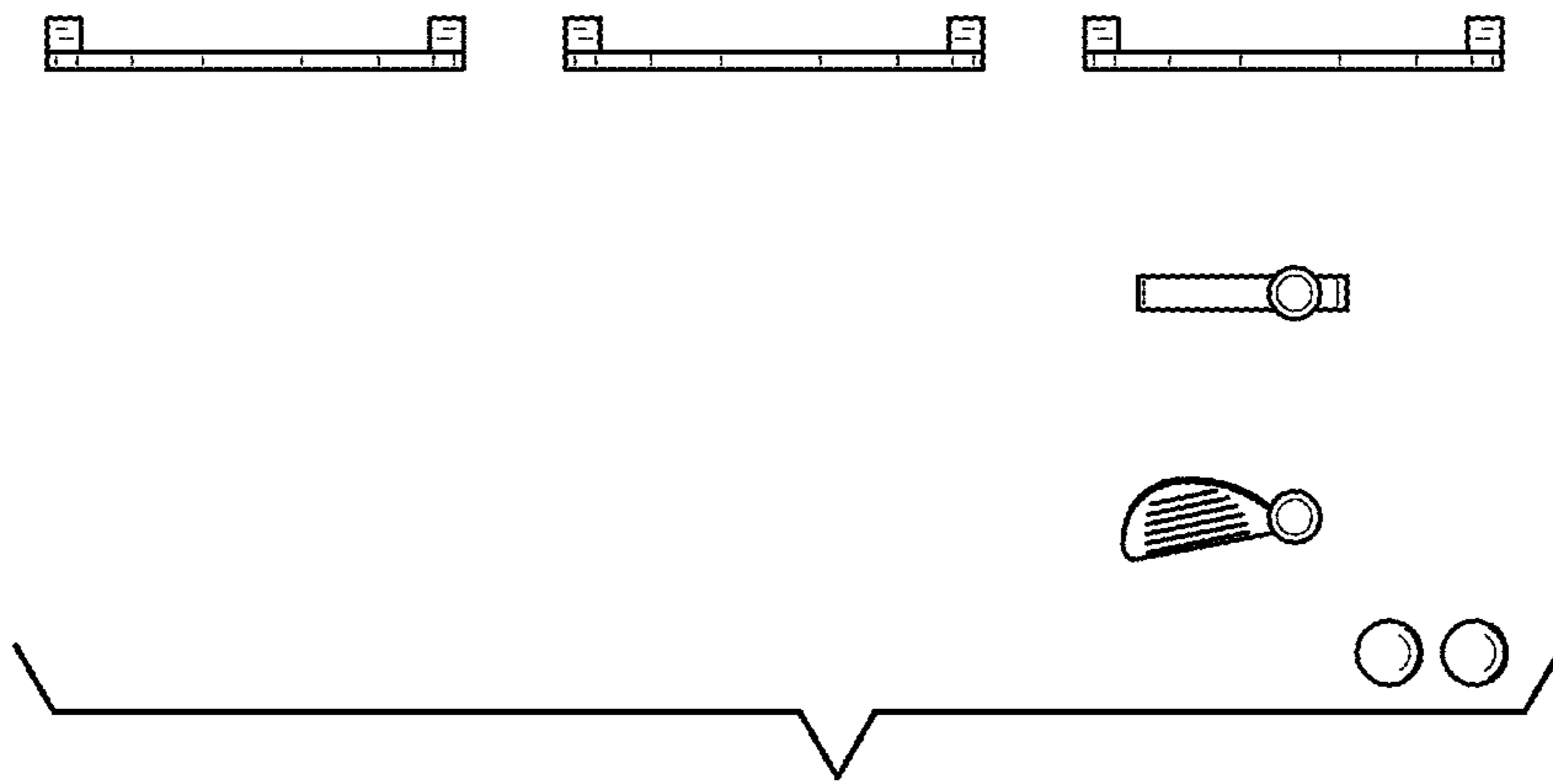


FIG. 5

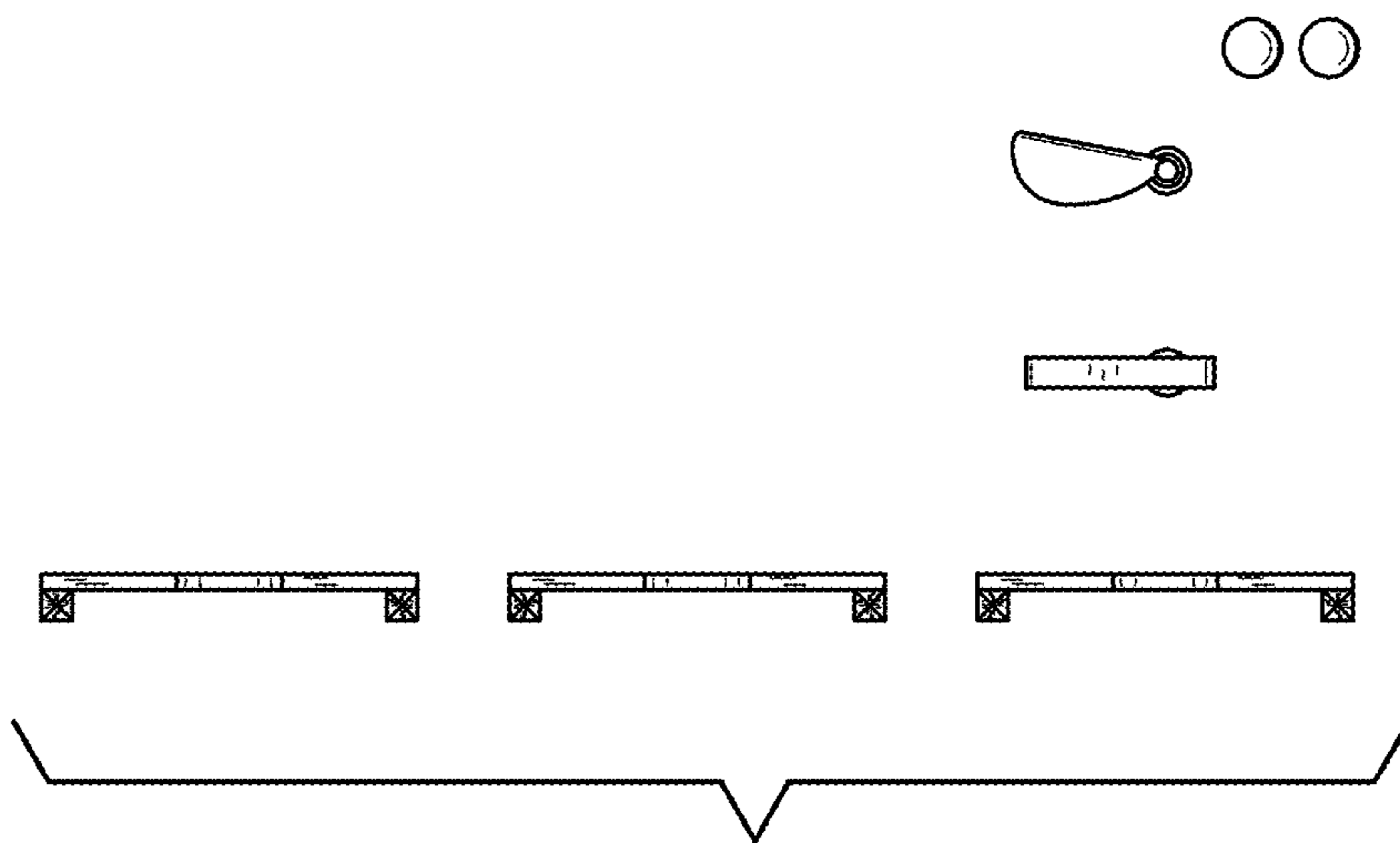


FIG. 6

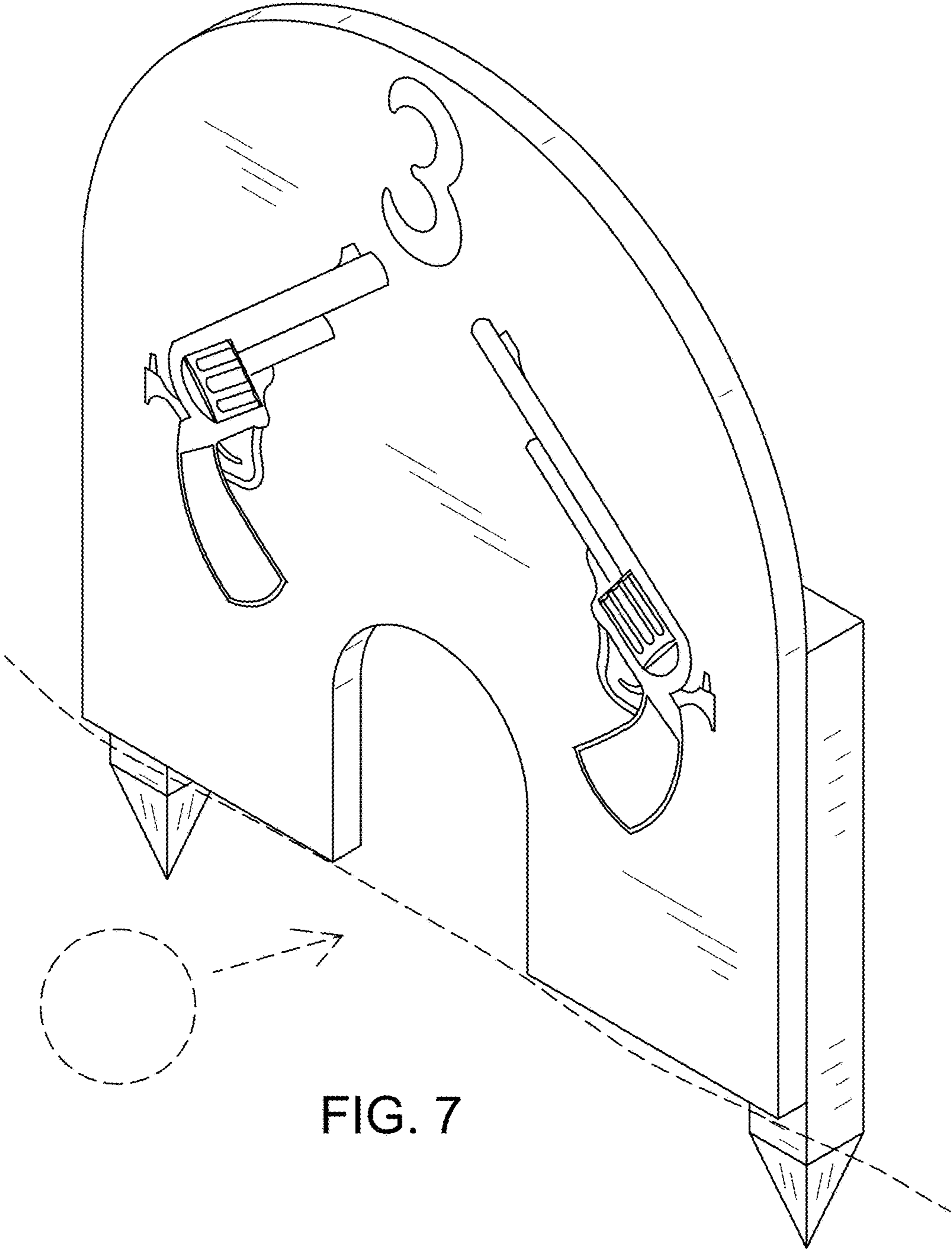


FIG. 7