



US00D785096S

(12) **United States Design Patent** (10) **Patent No.:** **US D785,096 S**
Edwards (45) **Date of Patent:** **** Apr. 25, 2017**

(54) **WINDOW CLING**
(71) Applicant: **Ben E. Edwards**, Chapel Hill, NC (US)
(72) Inventor: **Ben E. Edwards**, Chapel Hill, NC (US)
(**) Term: **14 Years**
(21) Appl. No.: **29/521,414**
(22) Filed: **Mar. 23, 2015**
(51) **LOC (10) Cl.** **19-08**
(52) **U.S. Cl.**
USPC **D20/11**
(58) **Field of Classification Search**
USPC D20/10, 11, 19, 22-29, 40, 99; D21/307,
D21/308; D22/108, 109
CPC G09F 1/00; G09F 1/02; G09F 3/00; G09F
3/02; G09F 3/10; G09F 3/14; G09F
3/0288; G09F 3/0291; G09F 2003/0201;
G09F 2003/0202; G09F 2003/0208; G09F
2003/021; G09F 2003/023; G09F
2003/0241; G09F 2003/0264; G09F
2003/0266; G09F 2003/0267; G09F
2003/0279; G09F 2003/0285; G09F
2003/03
See application file for complete search history.

5,046,841 A * 9/1991 Juds G06K 7/14
356/71
5,588,251 A 12/1996 Young
D377,953 S 2/1997 Kraus, Jr.
D407,121 S 3/1999 Williams
D412,184 S 7/1999 Garrett
D482,073 S * 11/2003 Nakajo D20/22
D497,648 S 10/2004 Carlson
D532,477 S * 11/2006 Zaderey D16/130
D582,483 S 12/2008 Awan
D594,908 S 6/2009 Sauter
D632,754 S * 2/2011 Pride D22/109
D648,804 S 11/2011 Coulter
D654,136 S * 2/2012 Huber D22/109
D672,396 S 12/2012 Nadeau et al.
D683,406 S 5/2013 Phillips
D684,631 S 6/2013 Cohen
D686,665 S 7/2013 Bak et al.
D709,555 S 7/2014 Moore et al.

* cited by examiner

Primary Examiner — Mary Ann Calabrese
(74) *Attorney, Agent, or Firm* — Quickpatents, LLC;
Kevin Prince

(57) **CLAIM**

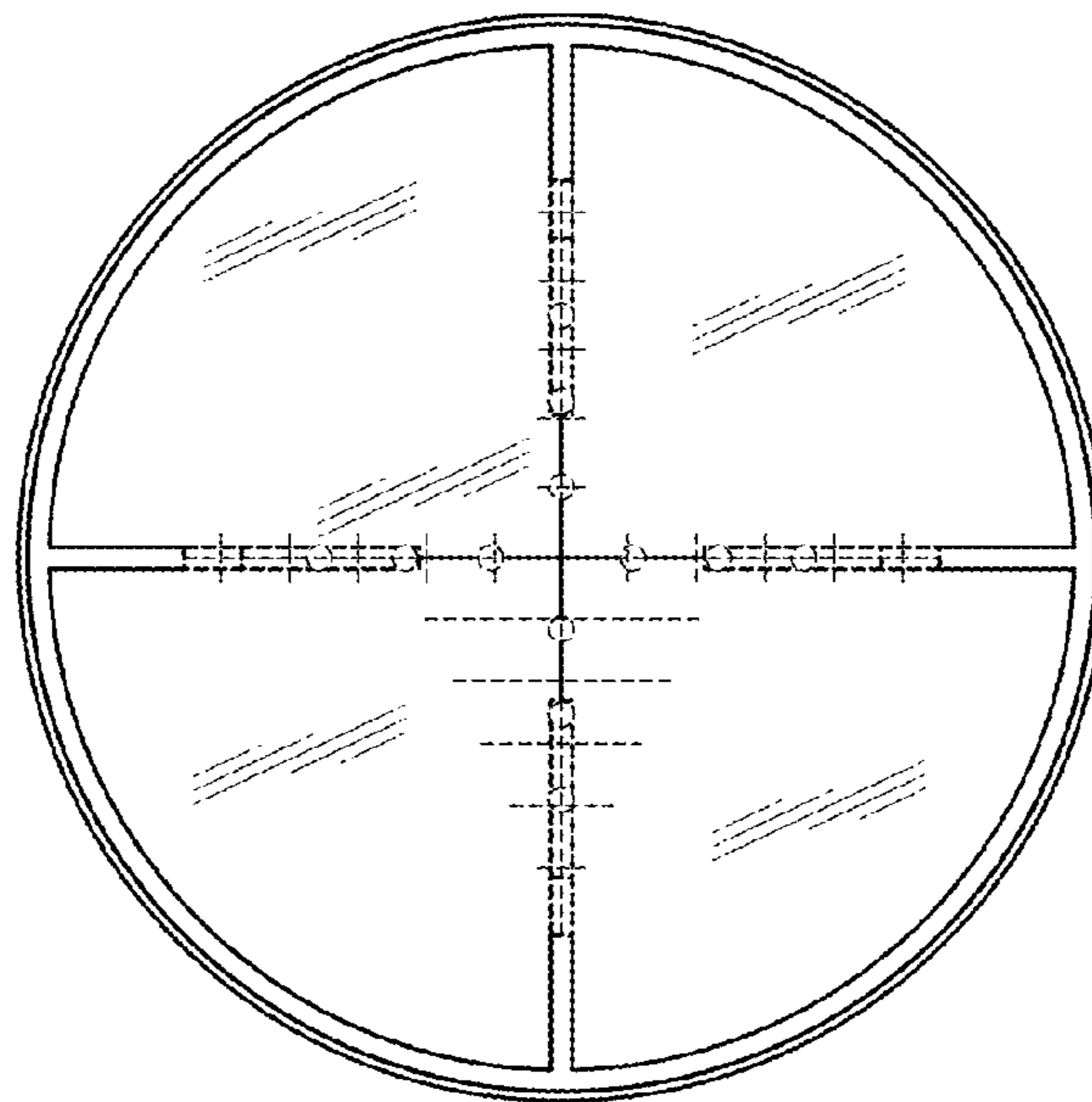
I claim the ornamental design for a window cling, as shown and described.

DESCRIPTION

FIG. 1 is a perspective view of a window cling, showing my new design;
FIG. 2 is a front elevational view of FIG. 1, the rear elevational view being a mirror image thereof; and,
FIG. 3 is a left-side elevational view of FIG. 1, the right-side elevational view being a mirror image thereof.
The broken lines showing alternate reticile markings in FIGS. 1 and 2 depict environmental matter and form no part of the claimed design.

(56) **References Cited**
U.S. PATENT DOCUMENTS
2,437,228 A * 3/1948 Mears G02B 27/32
216/26
3,559,319 A * 2/1971 Scott et al. G09F 3/00
283/73
4,033,046 A 7/1977 Burris
4,263,719 A 4/1981 Murdoch
4,380,876 A 4/1983 Strassburg
D306,321 S * 2/1990 Gramera D20/11

1 Claim, 1 Drawing Sheet



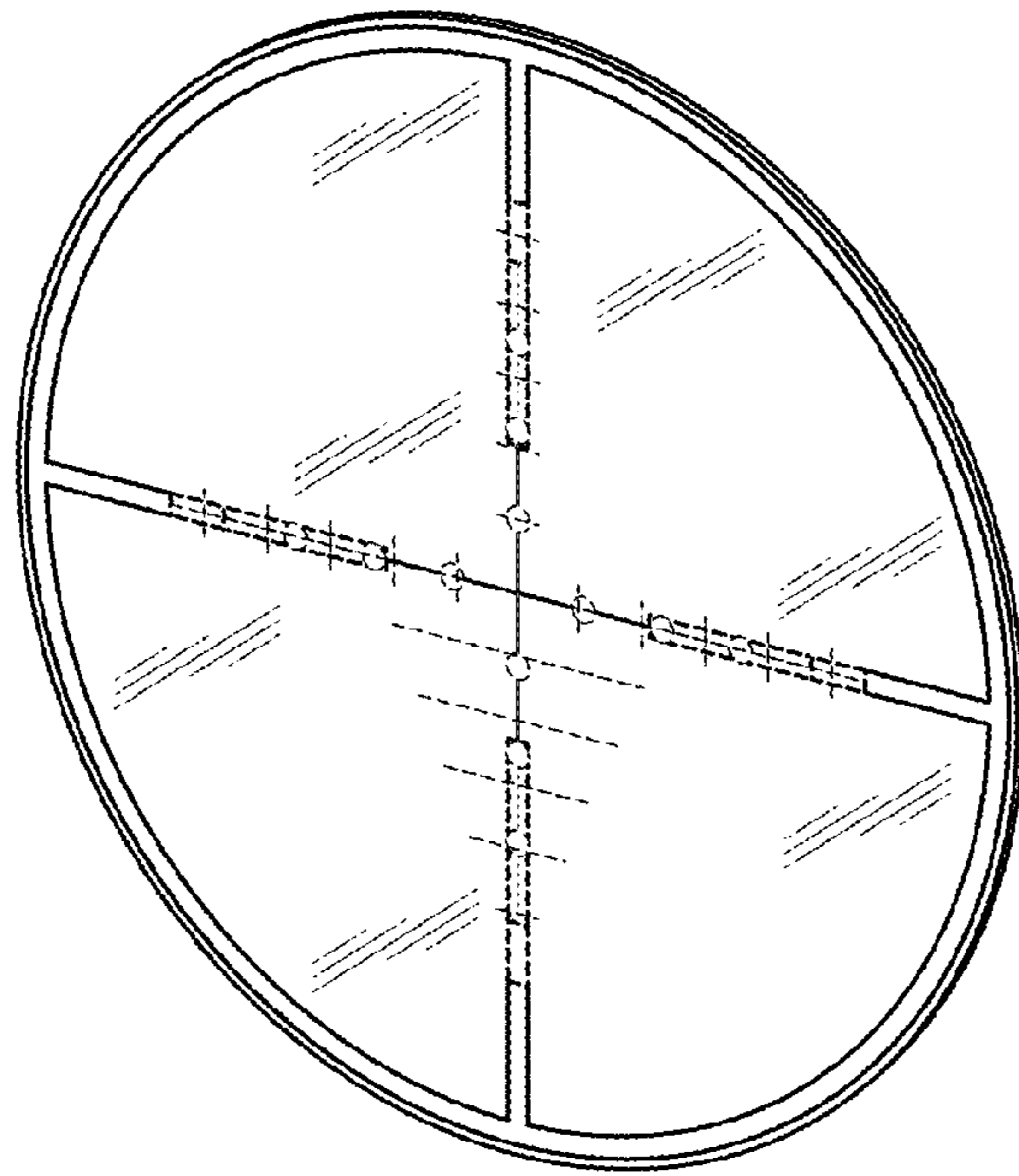


FIG. 1

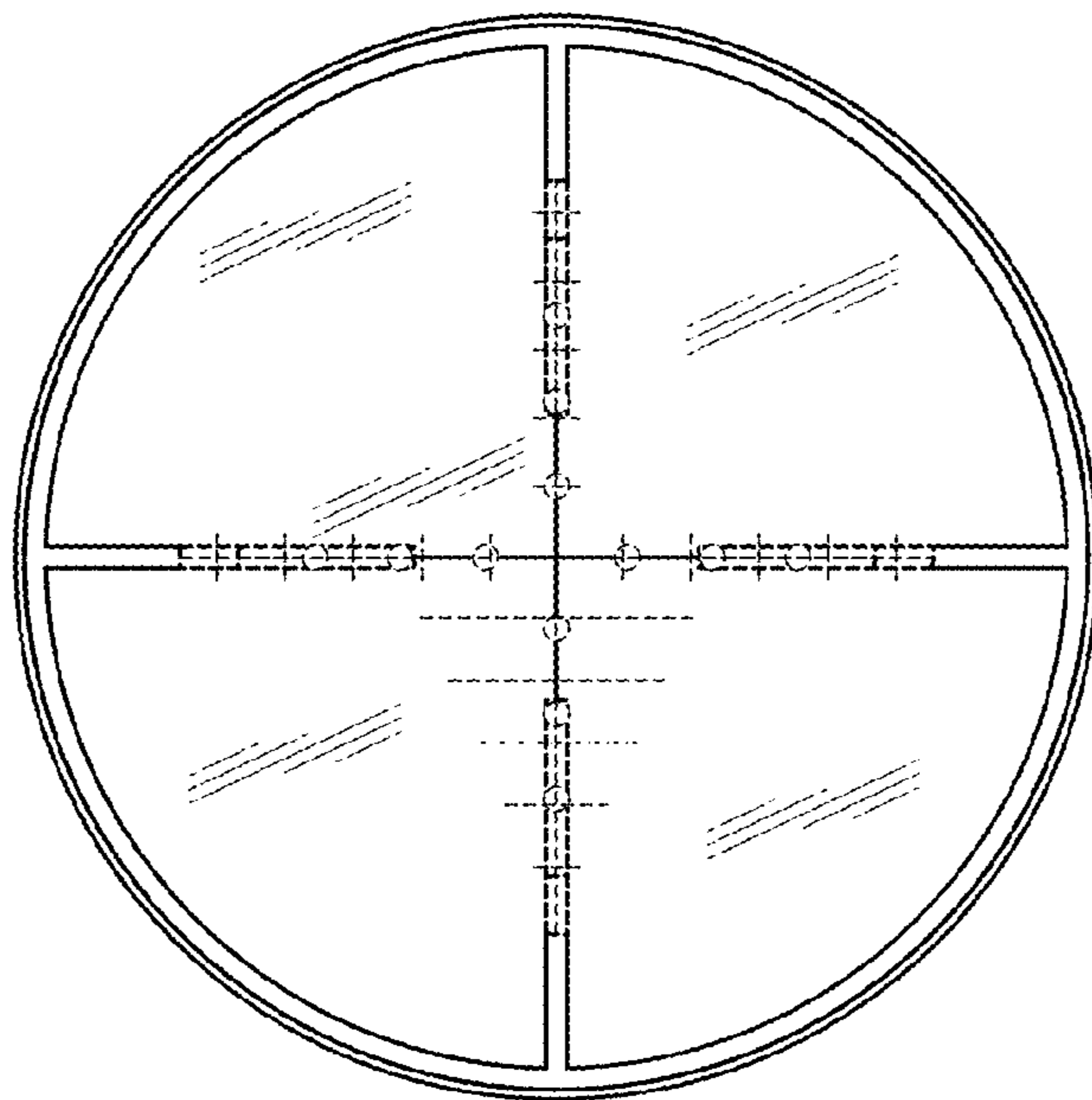


FIG. 2



FIG. 3