



US00D785094S

(12) **United States Design Patent**  
**Feit et al.**

(10) **Patent No.:** **US D785,094 S**

(45) **Date of Patent:** **\*\* Apr. 25, 2017**

(54) **LIGHT ACCESSORY FOR A DRAWING INSTRUMENT**

(71) Applicant: **REDWOODVENTURES, LTD.**, Hong Kong (HK)

(72) Inventors: **Corey Feit**, St. Louis, MO (US); **Jason Miranda**, Portland, OR (US); **Chad Steumke**, St. Louis, MO (US); **Dale Picolet**, St. Louis, MO (US)

(73) Assignee: **RedwoodVentures, Ltd.**, Hong Kong (HK)

(\*\*) Term: **15 Years**

(21) Appl. No.: **29/548,623**

(22) Filed: **Dec. 15, 2015**

(51) **LOC (10) Cl.** ..... **19-06**

(52) **U.S. Cl.**  
USPC ..... **D19/202**

(58) **Field of Classification Search**  
USPC ..... D19/130, 202, 203; D26/25, 27, 37, 38, D26/39, 40, 44, 46, 51, 60, 61, 70  
CPC ..... B43K 29/00; B43K 29/10; B25B 23/18; B26B 11/008; F21V 33/0084  
See application file for complete search history.

(56) **References Cited**

U.S. PATENT DOCUMENTS

|           |     |         |                |       |            |
|-----------|-----|---------|----------------|-------|------------|
| 918,181   | A * | 4/1909  | Meadows        | ..... | F21V 23/04 |
|           |     |         |                |       | 200/52 R   |
| D113,698  | S * | 3/1939  | Swalley et al. | ..... | D14/252    |
| D159,607  | S * | 8/1950  | Gerding        | ..... | D26/39     |
| D336,529  | S * | 6/1993  | Murata         | ..... | D26/25     |
| D362,734  | S * | 9/1995  | Murata         | ..... | D26/25     |
| D372,993  | S * | 8/1996  | Murata         | ..... | D26/25     |
| 5,845,986 | A * | 12/1998 | Breen          | ..... | B25B 23/18 |
|           |     |         |                |       | 362/119    |

|              |      |         |              |       |             |
|--------------|------|---------|--------------|-------|-------------|
| 6,022,121    | A *  | 2/2000  | Lin          | ..... | B25B 23/18  |
|              |      |         |              |       | 362/119     |
| D470,615     | S *  | 2/2003  | Janice       | ..... | D26/39      |
| D475,195     | S *  | 6/2003  | Christianson | ..... | D3/209      |
| 6,713,905    | B2 * | 3/2004  | Hirschburger | ..... | B24B 23/005 |
|              |      |         |              |       | 310/47      |
| D492,052     | S *  | 6/2004  | Schnell      | ..... | D26/39      |
| D520,655     | S *  | 5/2006  | Ip           | ..... | D26/27      |
| D568,510     | S *  | 5/2008  | Shiu         | ..... | D26/39      |
| D570,021     | S *  | 5/2008  | Xu           | ..... | D26/39      |
| D600,840     | S *  | 9/2009  | Lagassey     | ..... | D26/37      |
| D696,803     | S *  | 12/2013 | Kingston     | ..... | D26/39      |
| 8,764,213    | B2 * | 7/2014  | Cammenga     | ..... | B26B 11/008 |
|              |      |         |              |       | 362/119     |
| 9,120,237    | B2 * | 9/2015  | Staines      | ..... | B26B 11/008 |
| D760,838     | S *  | 7/2016  | Wiseman      | ..... | D19/130     |
| 2002/0044442 | A1 * | 4/2002  | Brown        | ..... | B43K 29/10  |
|              |      |         |              |       | 362/118     |

(Continued)

*Primary Examiner* — Elizabeth Albert

(74) *Attorney, Agent, or Firm* — Wright Lindsey Jennings LLP; Meredith Lowry

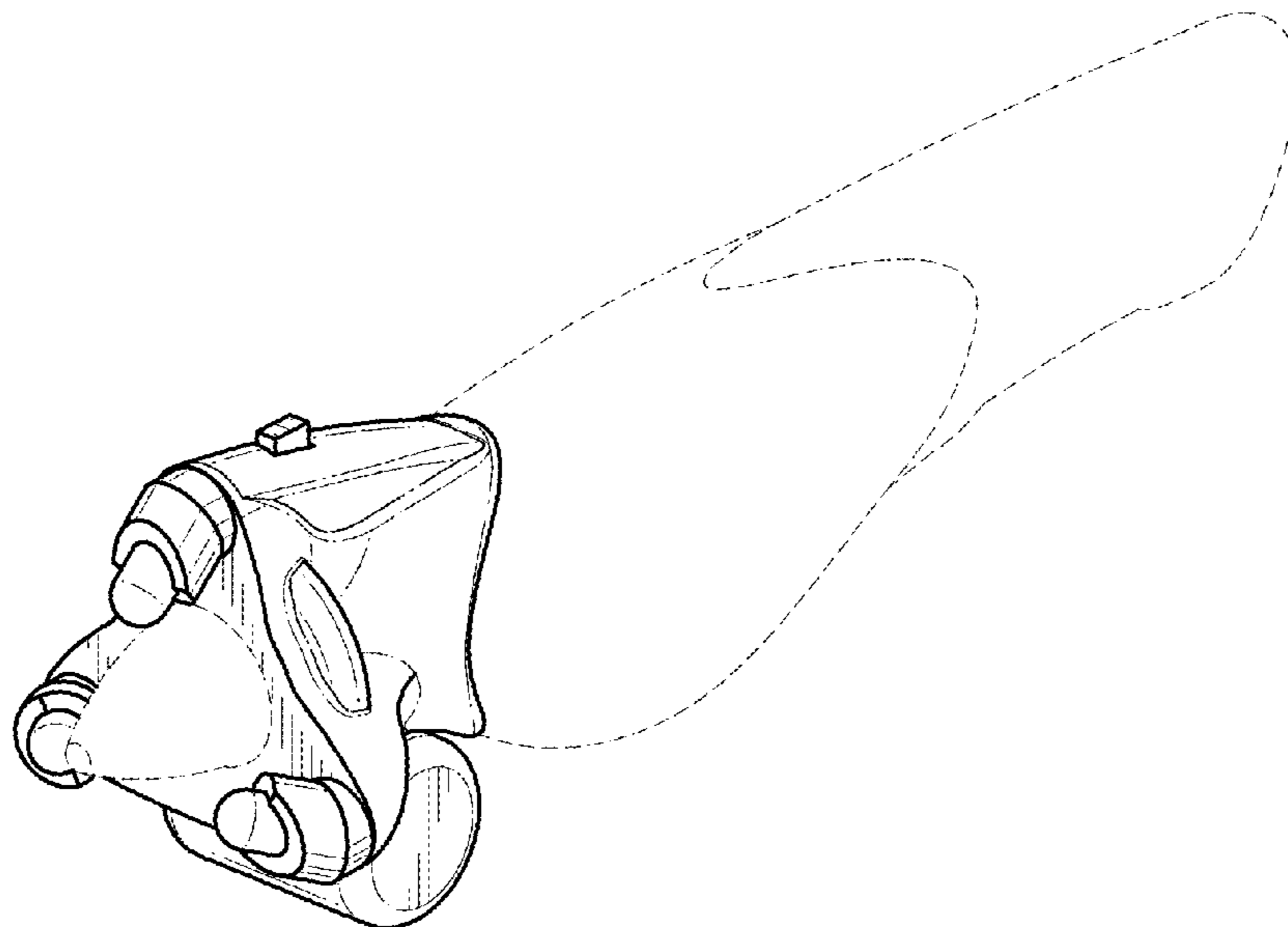
(57) **CLAIM**

The ornamental design for a light accessory for a drawing instrument, as shown and described.

**DESCRIPTION**

FIG. 1 is a perspective view of a light accessory for a drawing instrument showing our new design; FIG. 2 is a right side elevational view thereof, the left side being a mirror image thereof; FIG. 3 is a top plan view thereof; FIG. 4 is a bottom plan view thereof; FIG. 5 is a rear elevational view thereof; and, FIG. 6 is a front elevational view thereof. The broken lines in the drawings are included for the purpose of showing portions of the light accessory for a drawing instrument that form no part of the claimed design.

**1 Claim, 3 Drawing Sheets**



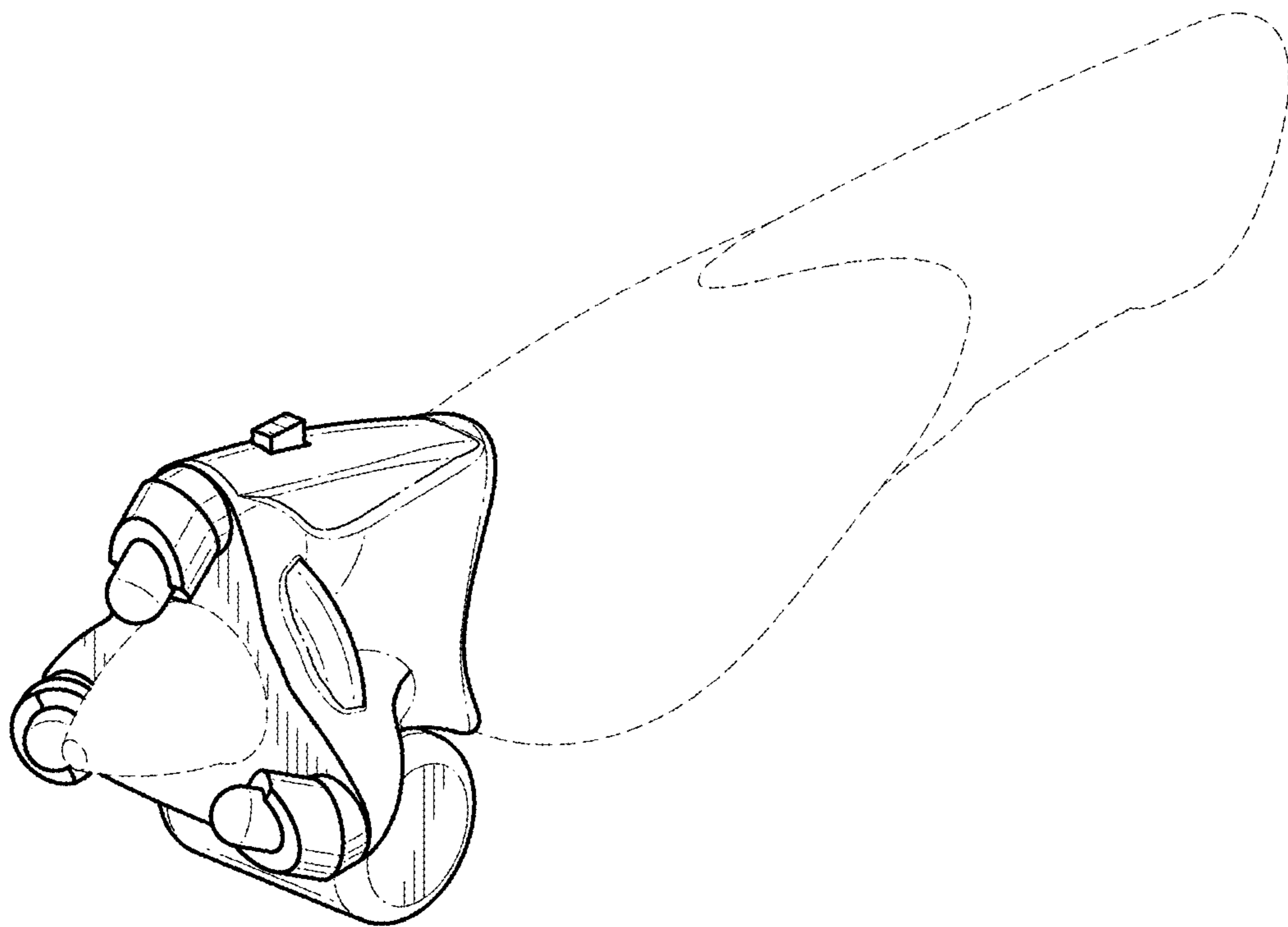
(56)

**References Cited**

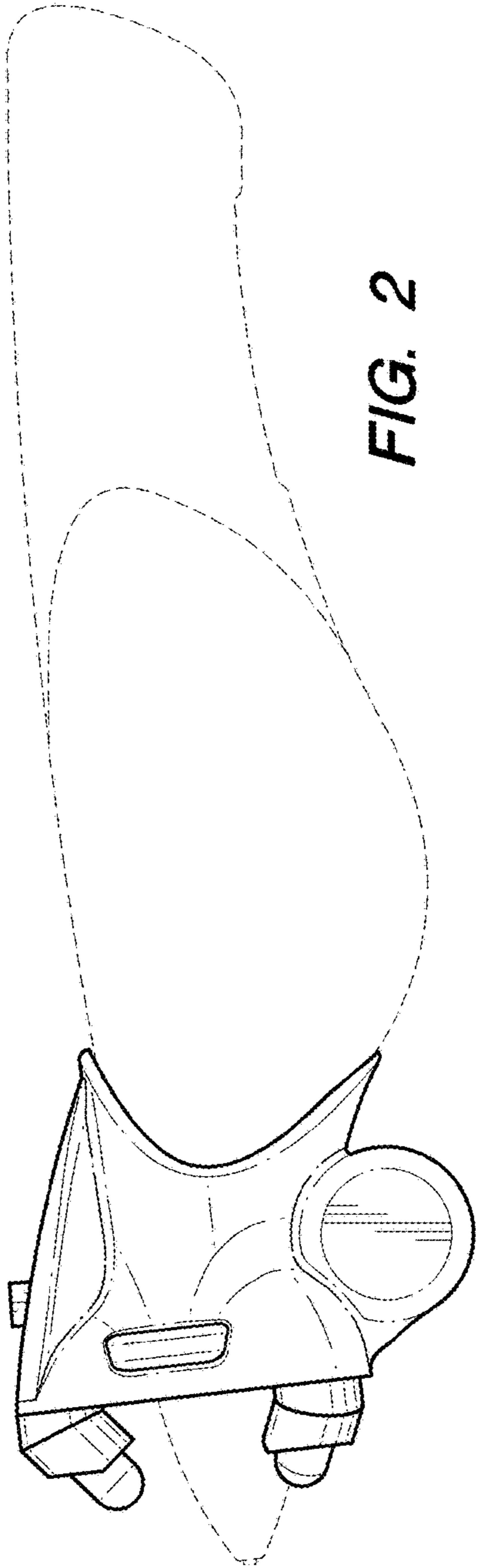
U.S. PATENT DOCUMENTS

2008/0266845 A1\* 10/2008 Wu ..... B25B 15/02  
362/157  
2011/0063820 A1\* 3/2011 Wang ..... B25B 23/18  
362/120  
2011/0289780 A1\* 12/2011 Tiegs ..... B26B 11/008  
30/123  
2015/0202753 A1\* 7/2015 Mittmann ..... B23K 3/02  
362/120

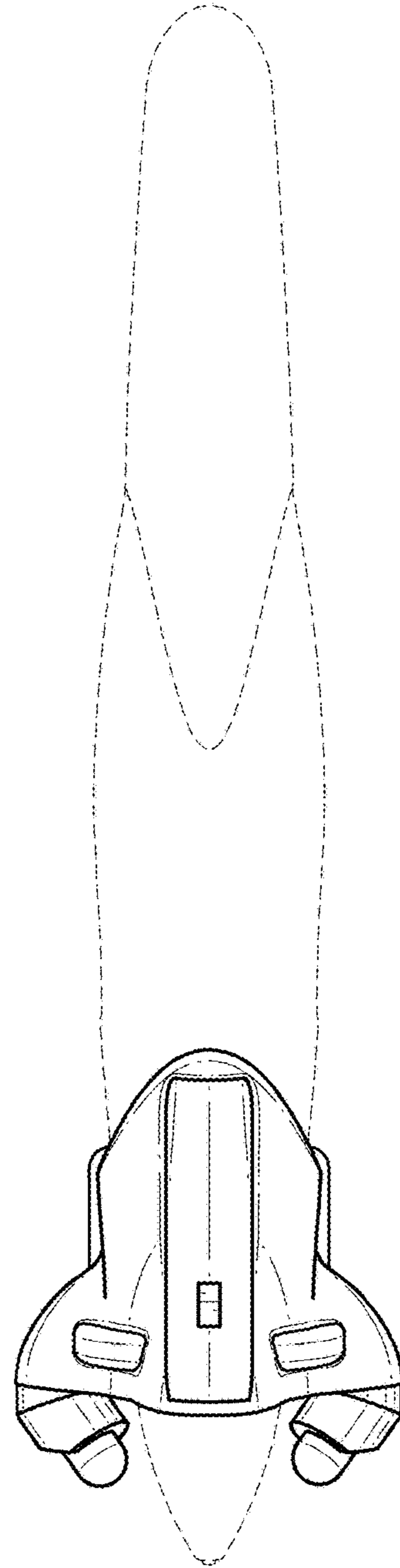
\* cited by examiner



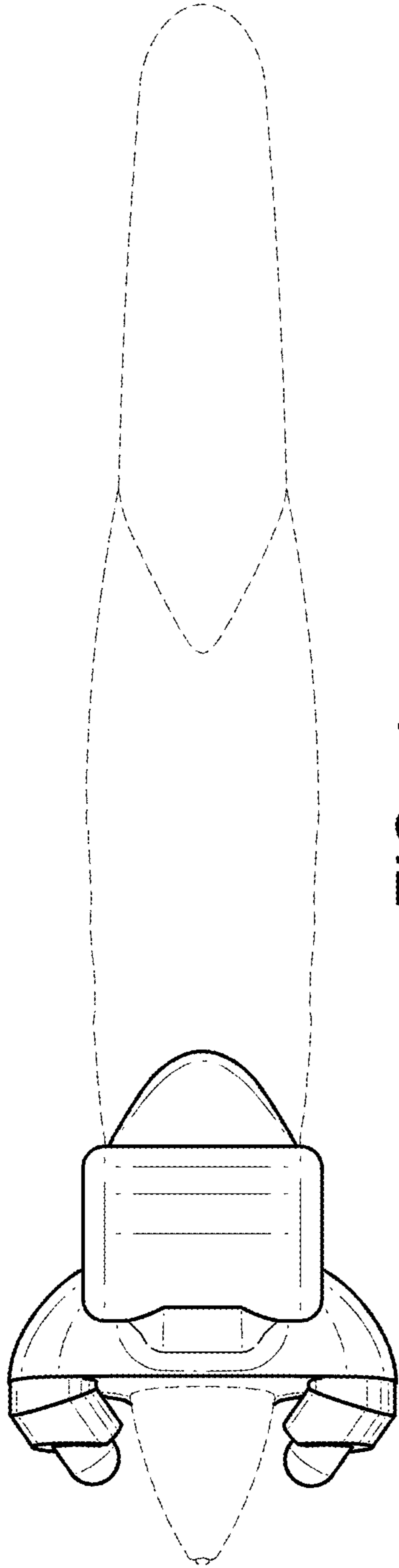
**FIG. 1**



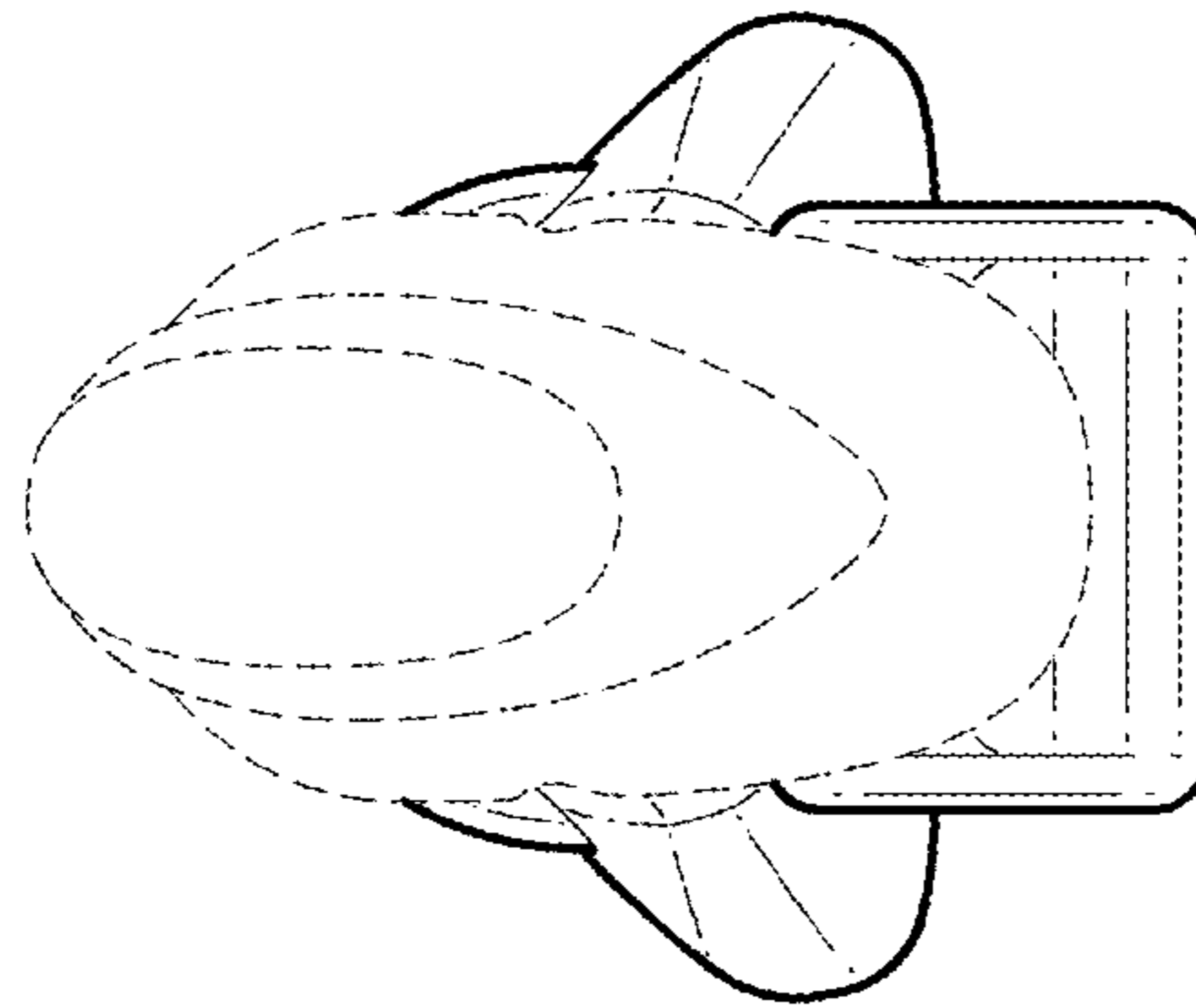
**FIG. 2**



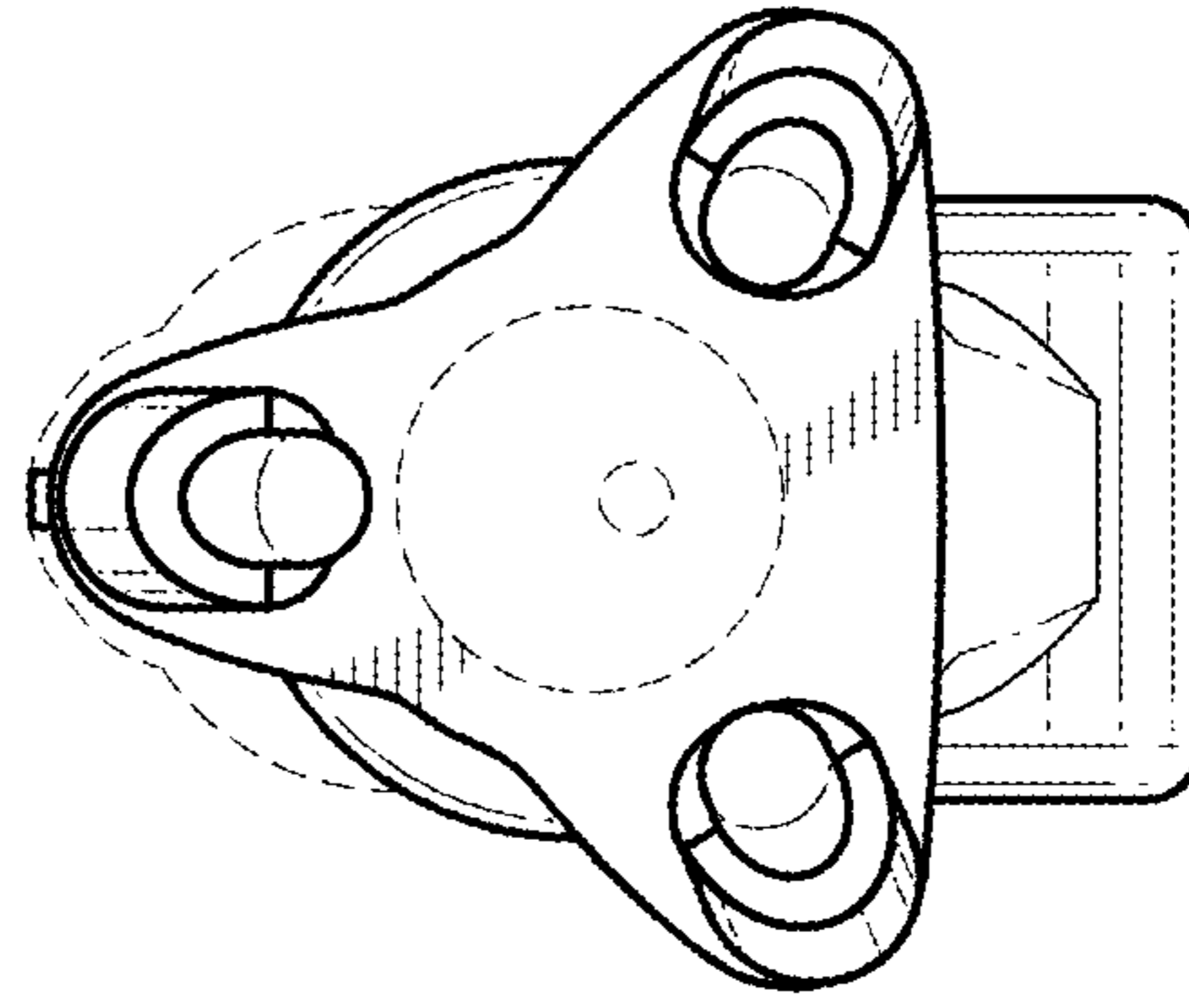
**FIG. 3**



**FIG. 4**



**FIG. 5**



**FIG. 6**

UNITED STATES PATENT AND TRADEMARK OFFICE  
**CERTIFICATE OF CORRECTION**

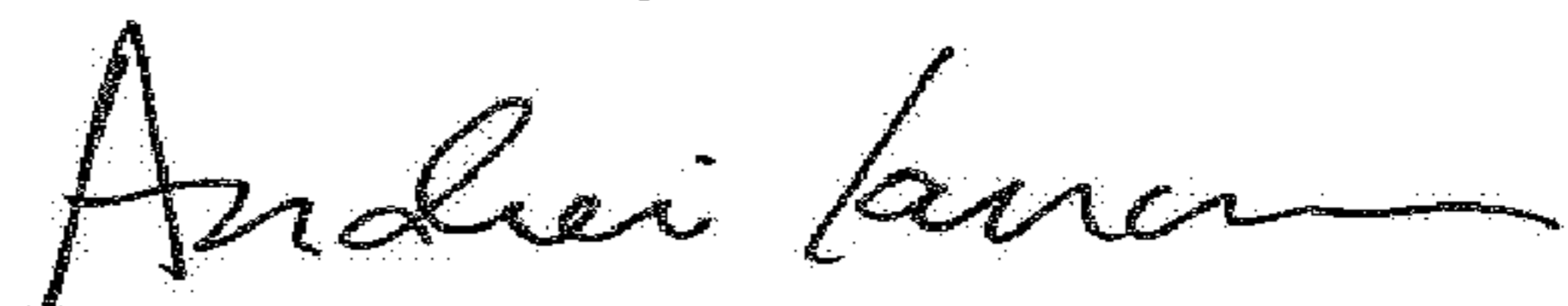
PATENT NO. : D785,094 S  
APPLICATION NO. : 29/548623  
DATED : April 25, 2017  
INVENTOR(S) : Feit et al.

Page 1 of 4

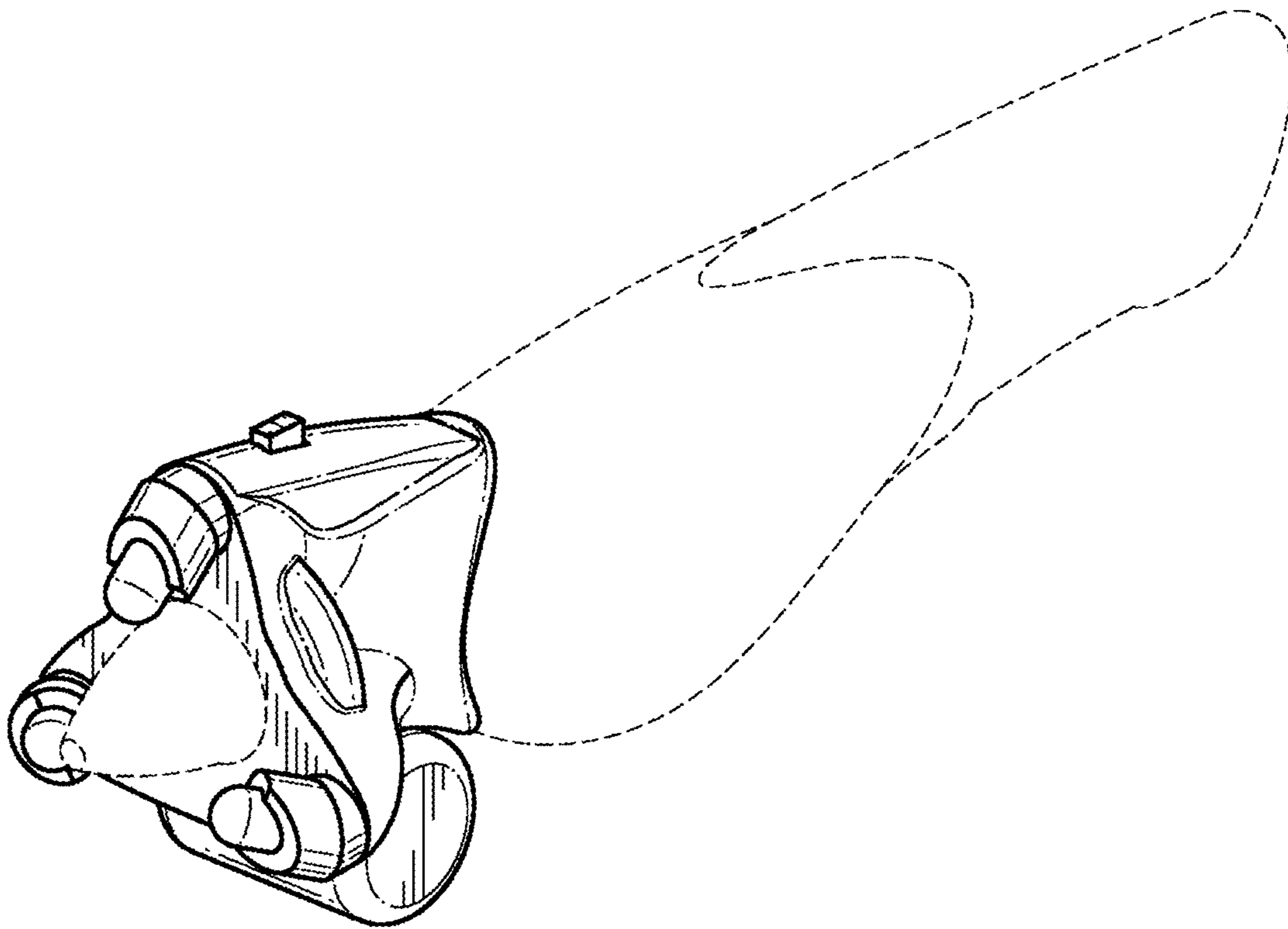
It is certified that error appears in the above-identified patent and that said Letters Patent is hereby corrected as shown below:

Replace Figures 1 - 6 with the attached Figures 1 - 6.

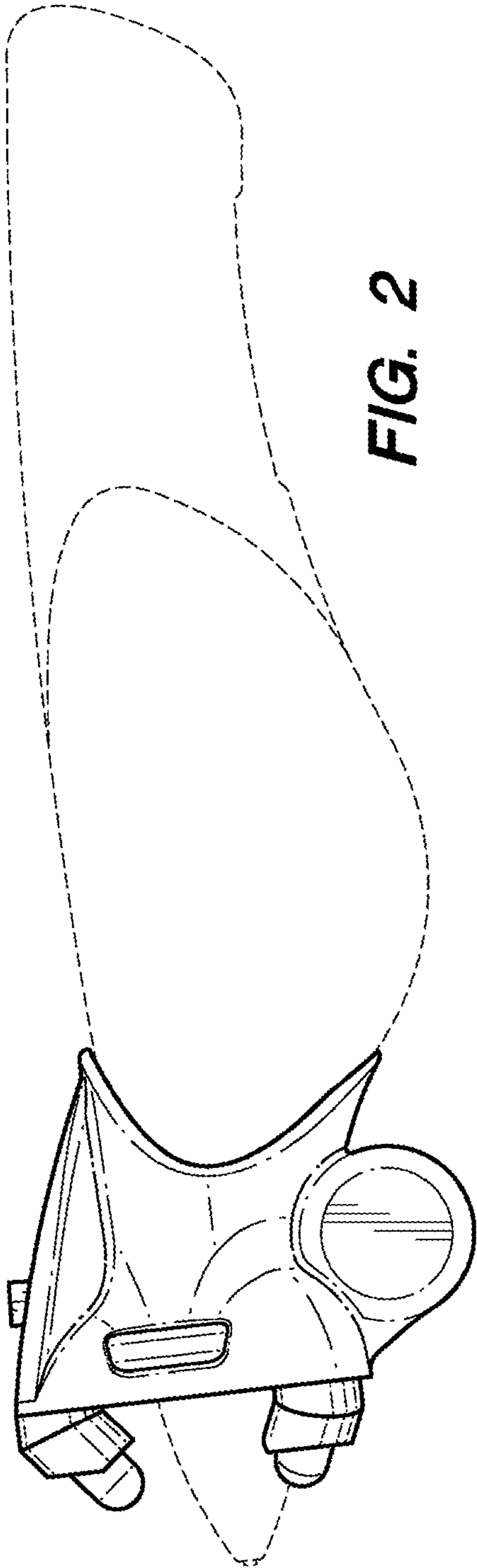
Signed and Sealed this  
Fifth Day of June, 2018



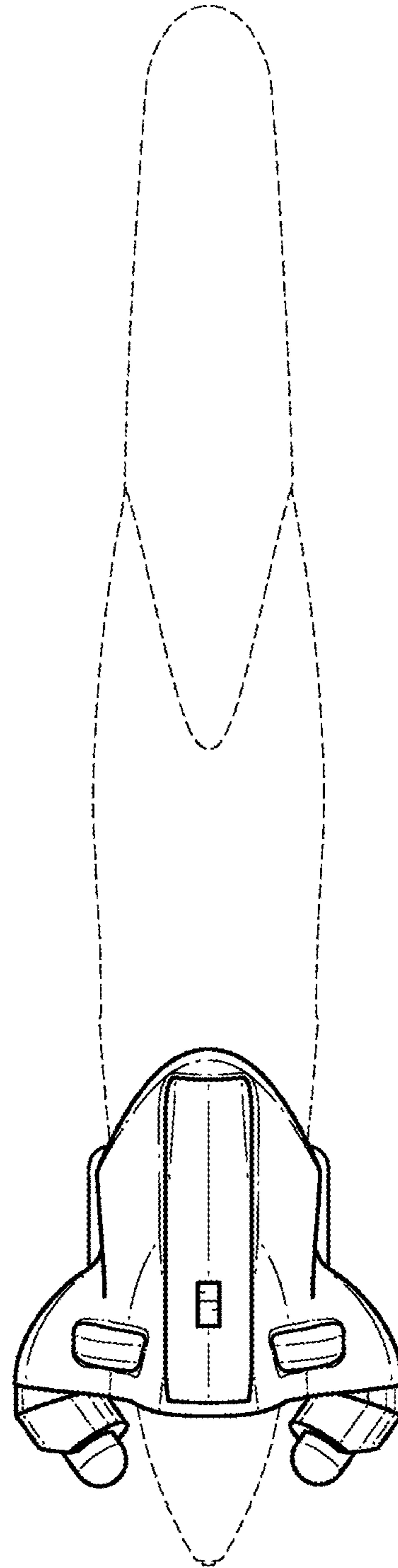
Andrei Iancu  
*Director of the United States Patent and Trademark Office*



**FIG. 1**

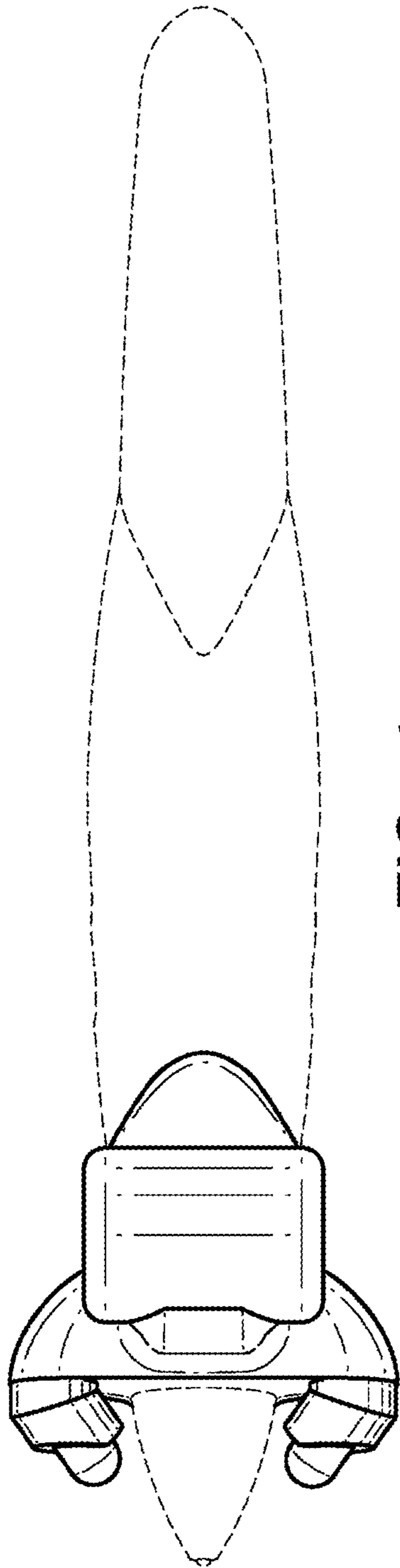


**FIG. 2**

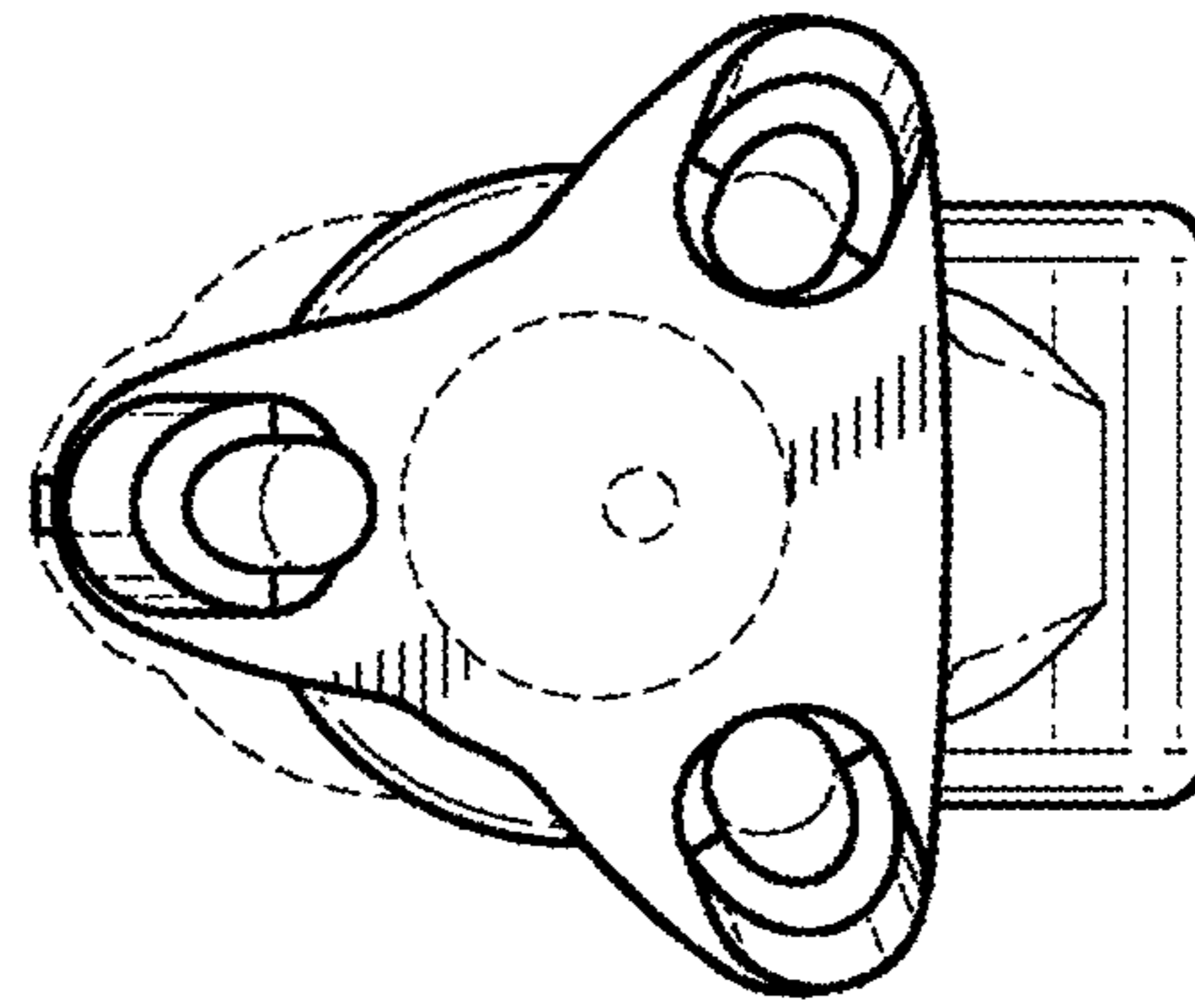


**FIG. 3**

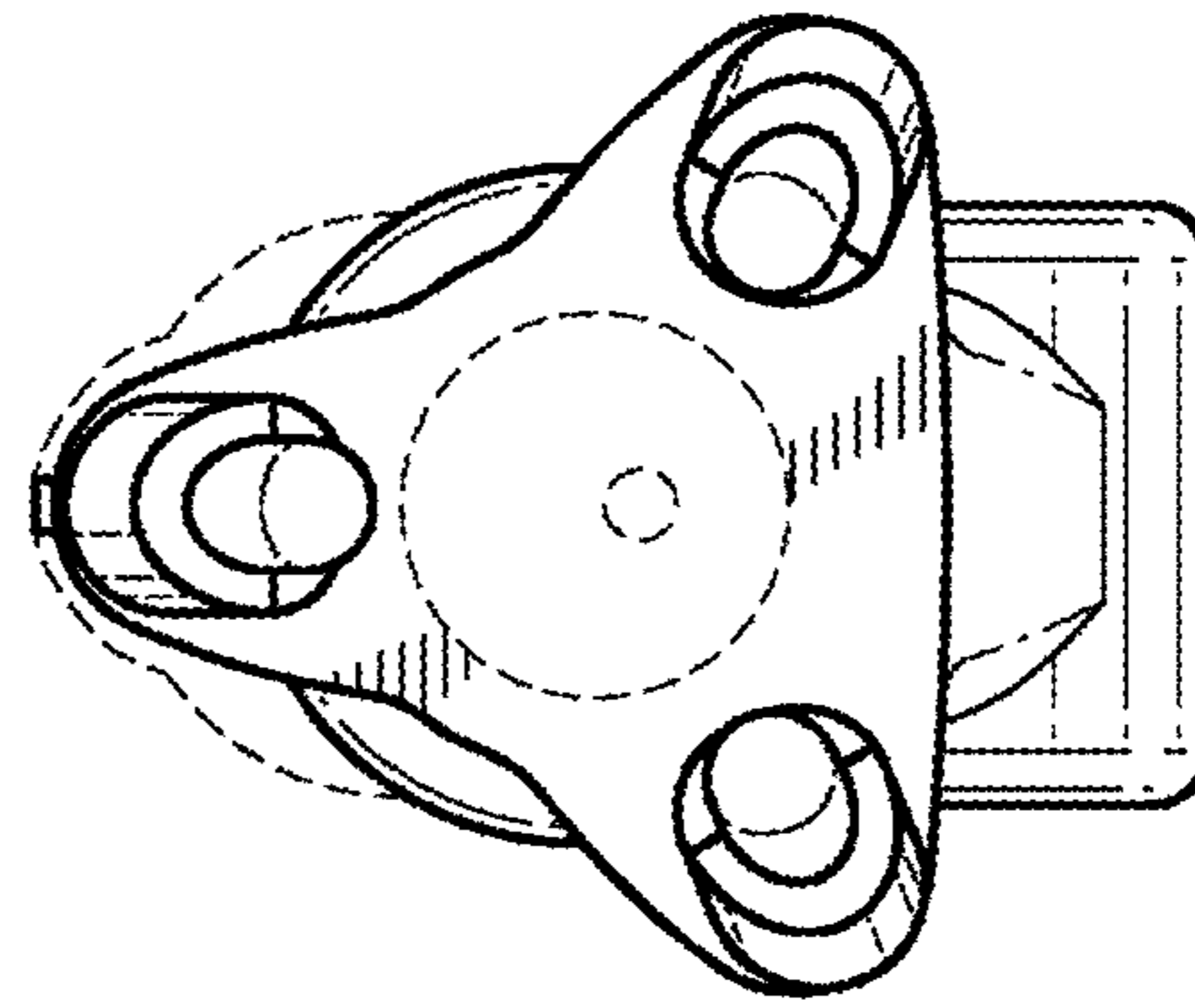




**FIG. 4**



**FIG. 5**



**FIG. 6**