



US00D785093S

(12) **United States Design Patent** (10) **Patent No.:** **US D785,093 S**
Hsu et al. (45) **Date of Patent:** **** Apr. 25, 2017**

(54) **3D PEN**

(71) Applicants: **XYZPRINTING, INC.**, New Taipei (TW); **KINPO ELECTRONICS, INC.**, New Taipei (TW); **CAL-COMP ELECTRONICS & COMMUNICATIONS COMPANY LIMITED**, New Taipei (TW)

(72) Inventors: **Chun-An Hsu**, New Taipei (TW); **Wen-Chun Chung**, New Taipei (TW); **Chieh Kao**, New Taipei (TW)

(73) Assignees: **XYZPRINTING, INC.**, New Taipei (TW); **KINPO ELECTRONICS, INC.**, New Taipei (TW); **CAL-COMP ELECTRONICS & COMMUNICATIONS COMPANY LIMITED**, New Taipei (TW)

(**) Term: **15 Years**

(21) Appl. No.: **29/528,522**

(22) Filed: **May 29, 2015**

(51) **LOC (10) Cl.** **19-06**

(52) **U.S. Cl.**
USPC **D19/179**; D19/917; D19/934

(58) **Field of Classification Search**
USPC D14/411; D19/115–204
CPC ... B43K 5/00; B43K 7/00; B43K 7/10; B43K 7/12; B43K 8/04; B43K 19/00; B43K 19/02; B43K 19/14; B29C 47/0002
See application file for complete search history.

(56) **References Cited**

U.S. PATENT DOCUMENTS

D371,747 S * 7/1996 Strader D10/78
D460,074 S * 7/2002 Ponnert D14/420
D472,240 S * 3/2003 Seog D14/411

D500,795 S * 1/2005 Andersson D19/200
D574,381 S * 8/2008 Chan D14/431
D595,719 S * 7/2009 Hu D14/411
D613,742 S * 4/2010 Avery D14/411
D614,628 S * 4/2010 Taylor D14/431
D619,579 S * 7/2010 Flores Rodrigues
Vieira D14/411
D631,465 S * 1/2011 Lipsky D14/167
D631,915 S * 2/2011 Stukenkemper D19/187
D650,860 S * 12/2011 Wu D19/69
D670,698 S * 11/2012 Åhman D14/411
D686,621 S * 7/2013 Pawlus D14/411
D709,887 S * 7/2014 Yagi D14/411
D749,173 S * 2/2016 Walker D19/180
D766,371 S * 9/2016 Wiseman D19/180
2007/0274765 A1 * 11/2007 Brand B43K 8/022
401/108

* cited by examiner

Primary Examiner — Elizabeth Albert

(74) *Attorney, Agent, or Firm* — Chun-Ming Shih; HDLS IPR Services

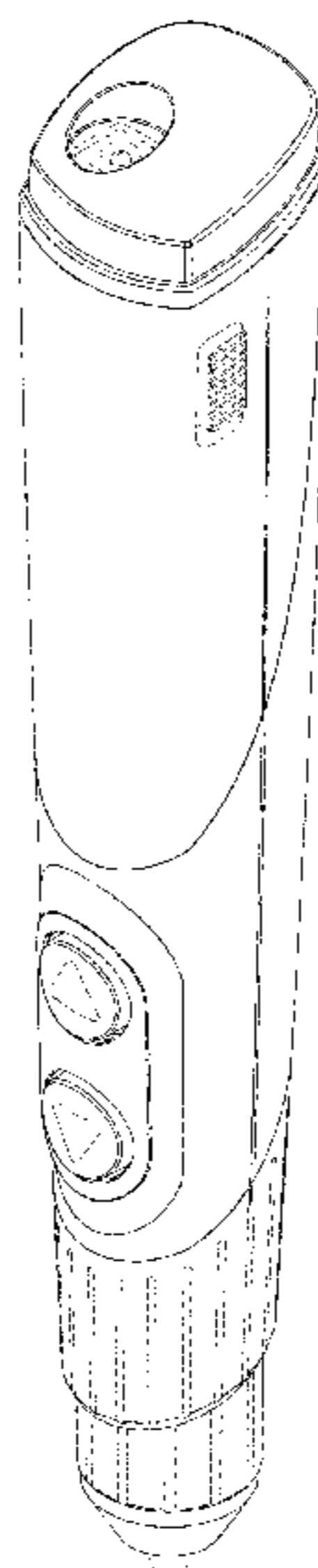
(57) **CLAIM**

The ornamental design for a 3D pen, as shown and described.

DESCRIPTION

FIG. 1 is a perspective view of a 3D pen showing our new design;
FIG. 2 is a front view thereof;
FIG. 3 is a rear view thereof;
FIG. 4 is a left side view thereof;
FIG. 5 is a right side view thereof;
FIG. 6 is a top view thereof;
FIG. 7 is a bottom view thereof; and
FIG. 8 is second perspective view showing the 3D pen; and,
FIG. 9 is third perspective view showing the 3D pen.
The broken lines in FIGS. 1 to 9 that define the bounds of the claimed design form no part thereof.

1 Claim, 6 Drawing Sheets



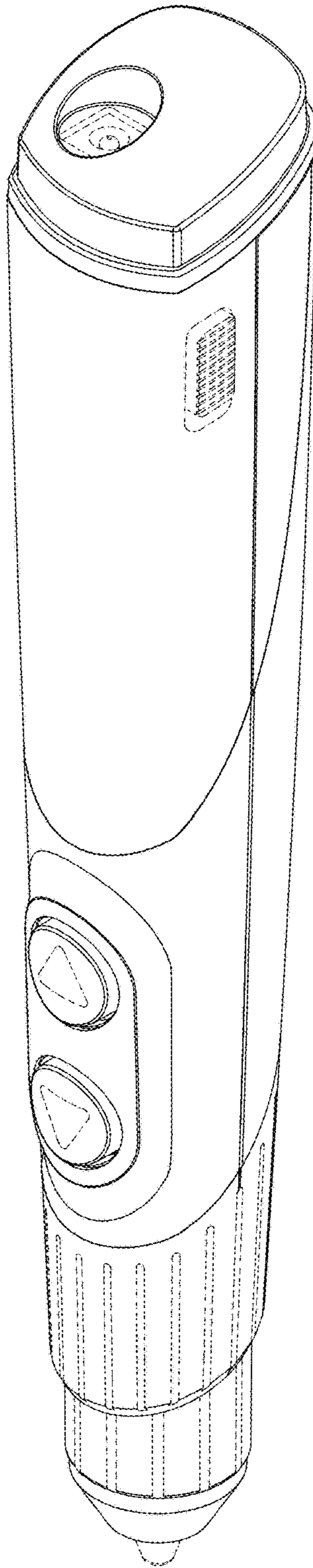


FIG. 1

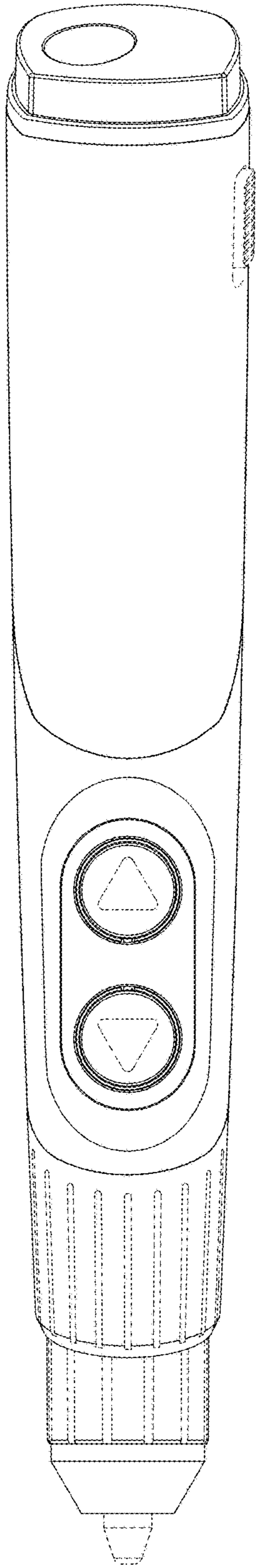


FIG. 2

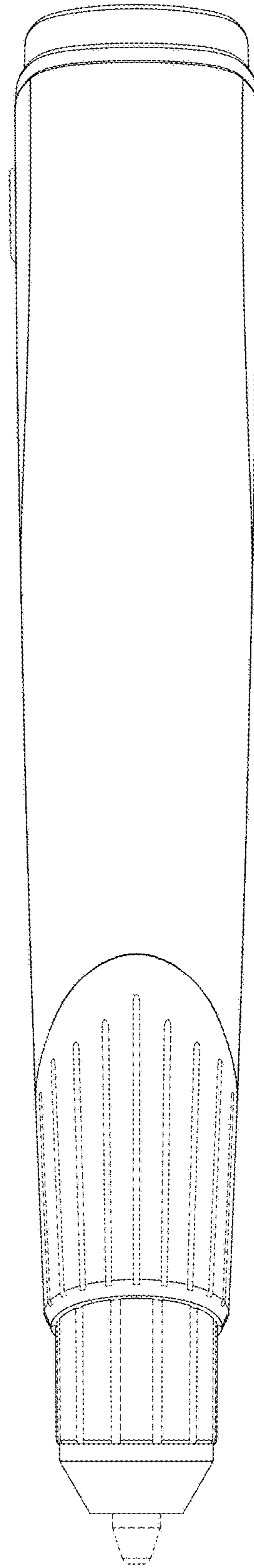


FIG. 3

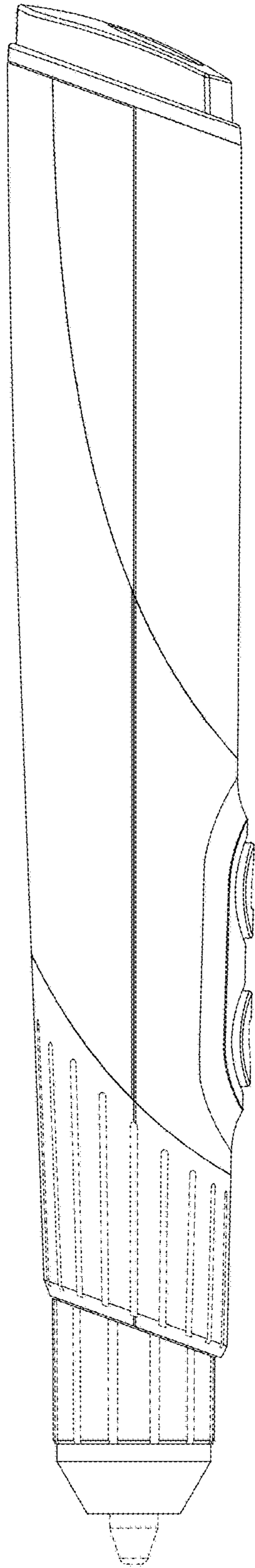


FIG.4

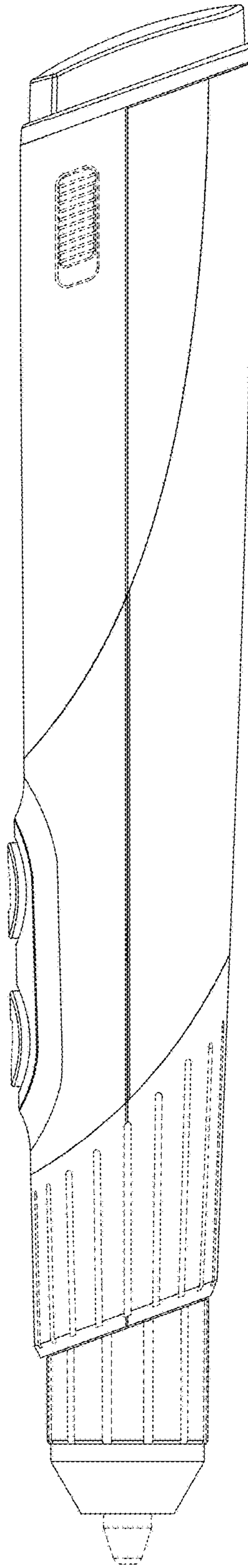


FIG.5

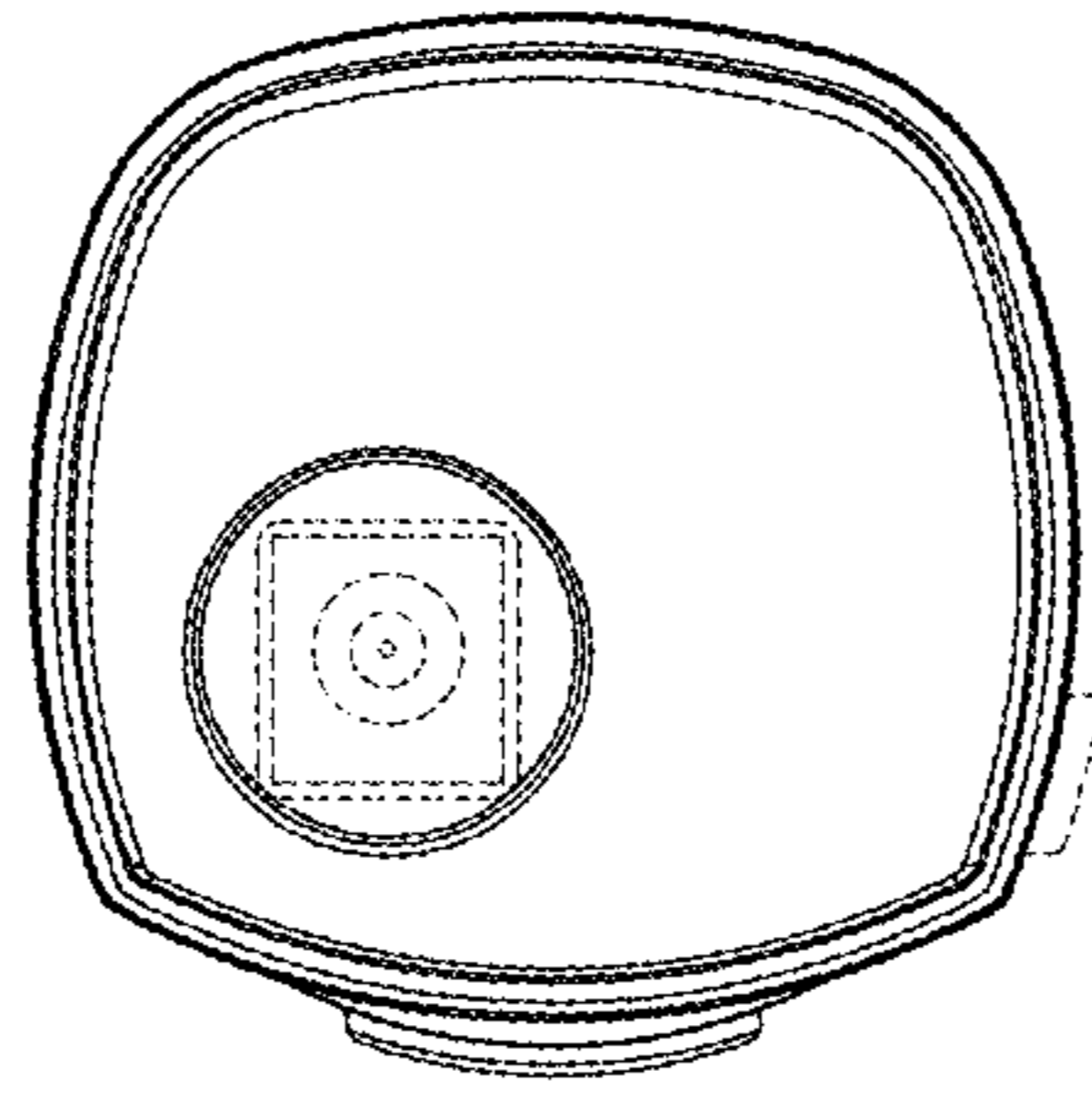


FIG. 6

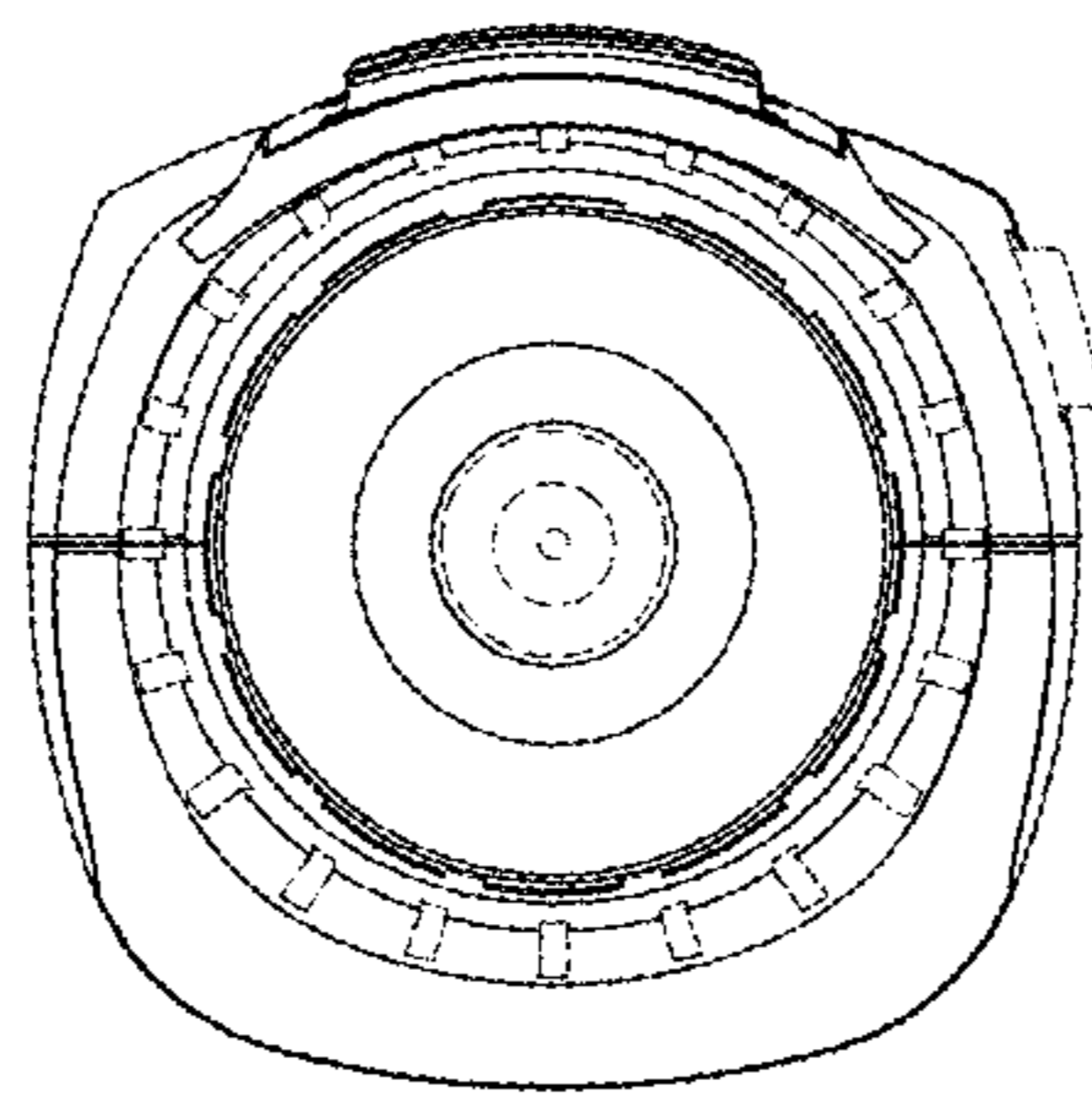


FIG. 7

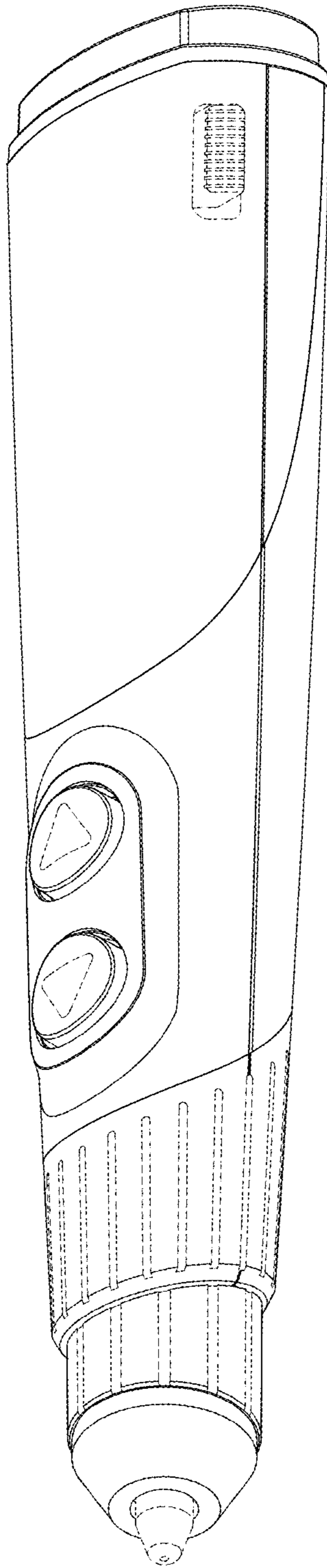


FIG.8

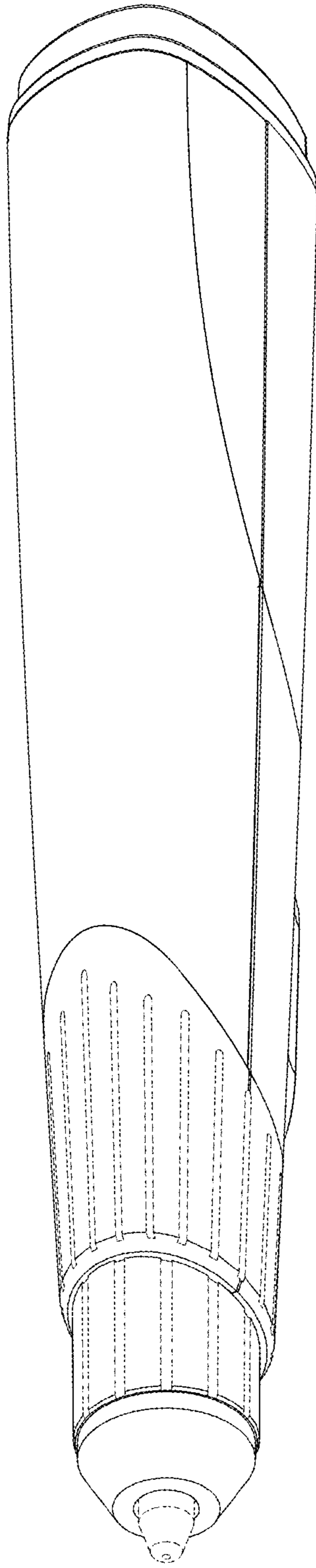


FIG. 9