



US00D785092S

(12) **United States Design Patent**
Lin

(10) **Patent No.:** **US D785,092 S**
(45) **Date of Patent:** **** Apr. 25, 2017**

(54) **CELESTIAL GLOBE**

(71) Applicant: **Yenkuang Lin**, New Taipei (TW)

(72) Inventor: **Yenkuang Lin**, New Taipei (TW)

(**) Term: **15 Years**

(21) Appl. No.: **29/560,702**

(22) Filed: **Apr. 8, 2016**

(51) **LOC (10) Cl.** **19-07**

(52) **U.S. Cl.**
USPC **D19/61**

(58) **Field of Classification Search**
USPC D19/59-64, 97; 434/106, 111, 131, 133, 434/135, 136, 139, 140-144, 148-149, 434/153, 186, 284-285, 287, 289; D10/10, 45, 64, 65; D11/157; 33/27, 33/1 SA, 1 SCO; 968/415; 283/34; 235/472.01
CPC G09B 27/08; G09B 27/02; G09B 27/06; G09B 29/10; G09B 29/005; G09B 27/00; G09B 29/14; G09B 9/245; G09B 27/04; G09B 29/04; G04B 49/02; B64G 7/00; G06K 7/10881; G01C 21/02
See application file for complete search history.

2,958,959 A * 11/1960 Hubbard G09B 27/08 434/131

2,967,358 A * 1/1961 Fay B64G 7/00 434/140

4,102,054 A * 7/1978 Lewis G04B 49/02 33/1 SC

D260,779 S * 9/1981 Wenger D19/61

D281,983 S * 12/1985 Yasufuku D10/10

4,702,703 A * 10/1987 Herbst G09B 27/06 434/289

4,971,559 A * 11/1990 Amano G09B 27/08 434/143

D352,312 S * 11/1994 Butler D19/61

D376,818 S * 12/1996 Graham D19/61

5,902,113 A * 5/1999 Pryor G09B 29/005 283/34

D416,044 S * 11/1999 Martin D19/97

D419,456 S * 1/2000 Ho D10/10

D464,678 S * 10/2002 Chan D19/61

6,612,843 B1 * 9/2003 Riggs G09B 27/08 434/135

D506,223 S * 6/2005 Green D19/61

D531,671 S * 11/2006 Chan D19/61

(Continued)

Primary Examiner — Ian Simmons
Assistant Examiner — Mark Cavanna
(74) *Attorney, Agent, or Firm* — Ude Lu; Norton Rose Fulbright US LLP

(57) **CLAIM**

I claim the ornamental design for a celestial globe, as shown and described.

DESCRIPTION

FIG. 1 is a front view of a celestial globe;
FIG. 2 is a back view thereof;
FIG. 3 is a left side view thereof;
FIG. 4 is a right side view thereof;
FIG. 5 is a top view thereof;
FIG. 6 is a bottom view thereof; and,
FIG. 7 is a perspective view thereof.

1 Claim, 7 Drawing Sheets

(56) **References Cited**

U.S. PATENT DOCUMENTS

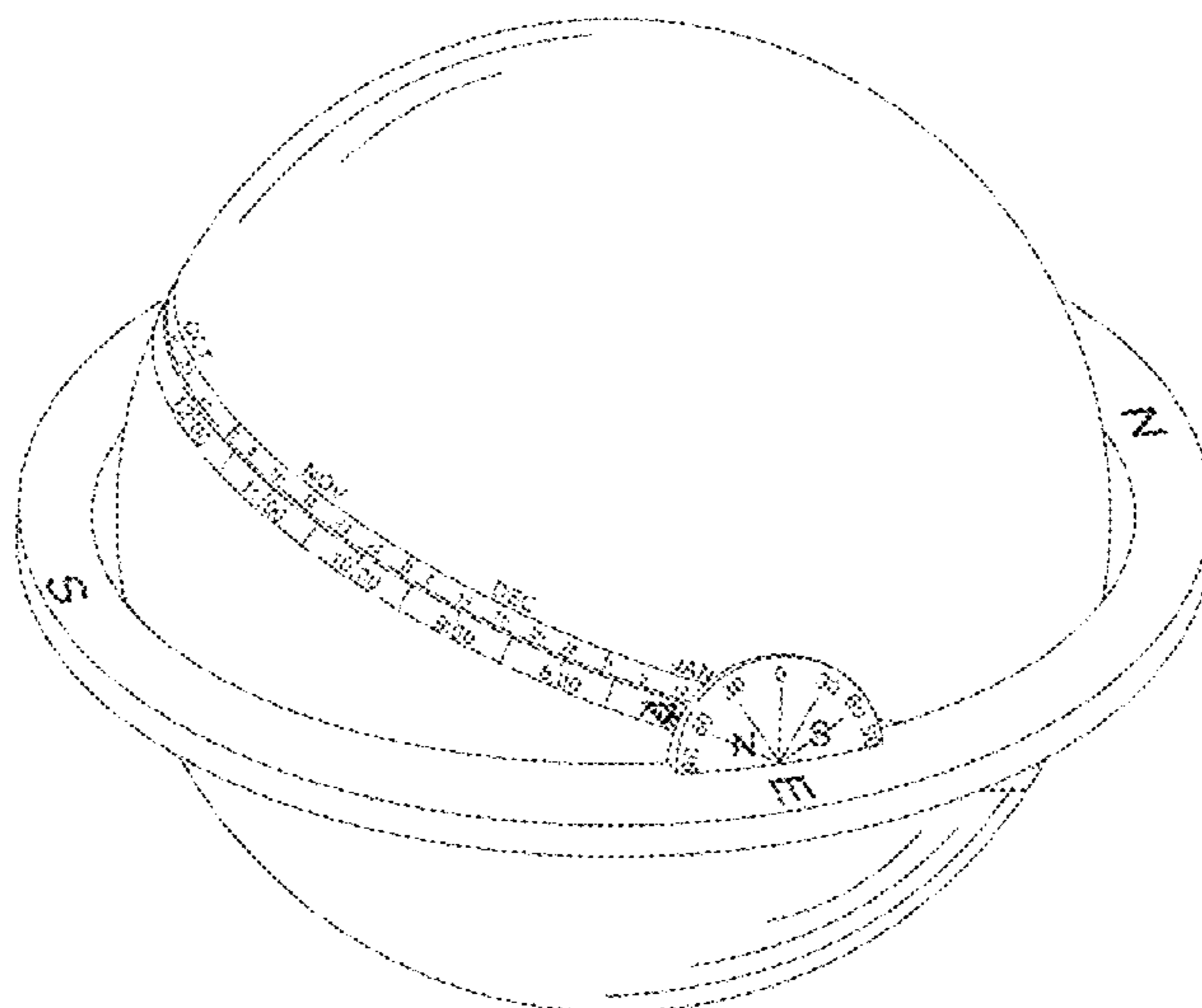
932,852 A * 8/1909 Gallaway G09B 27/08 434/142

1,570,029 A * 1/1926 Balch G04B 49/02 33/270

2,102,413 A * 12/1937 Hall G09B 27/02 33/1 SA

2,192,750 A * 3/1940 Mead G04B 49/02 968/415

2,892,268 A * 6/1959 Hagner G09B 27/02 434/285



(56)

References Cited

U.S. PATENT DOCUMENTS

7,207,803	B2 *	4/2007	Wilson	G09B 27/08 434/131
D547,376	S *	7/2007	Pachler	D19/61
7,895,222	B2 *	2/2011	Chan	G09B 7/00 235/472.01
2003/0215773	A1 *	11/2003	Green	G09B 27/08 434/131
2006/0073443	A1 *	4/2006	Wilson	G09B 27/08 434/131
2008/0227061	A1 *	9/2008	Kim	G09B 27/08 434/136
2015/0104775	A1 *	4/2015	Wu	G09B 27/06 434/287

* cited by examiner

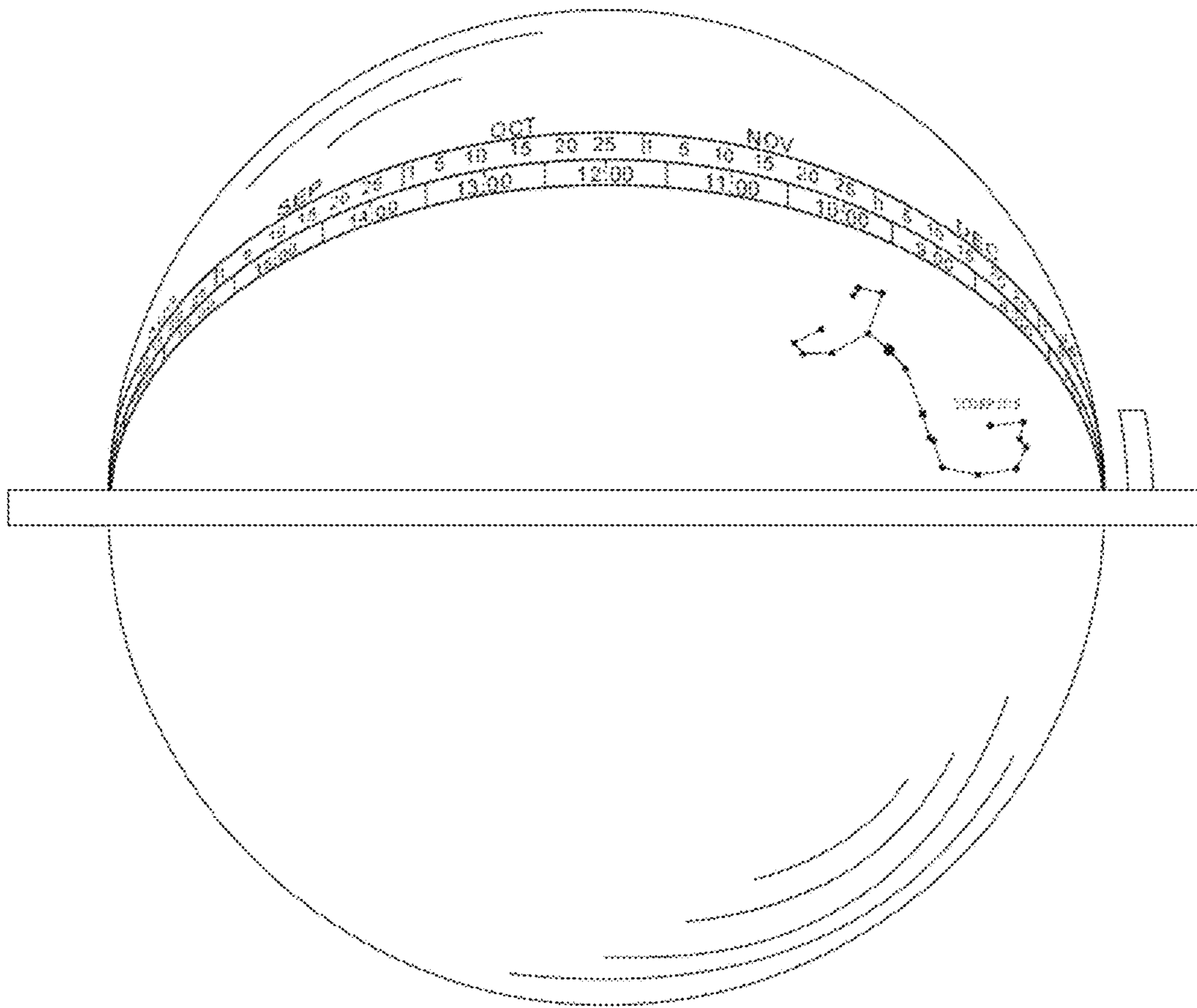


FIG. 1

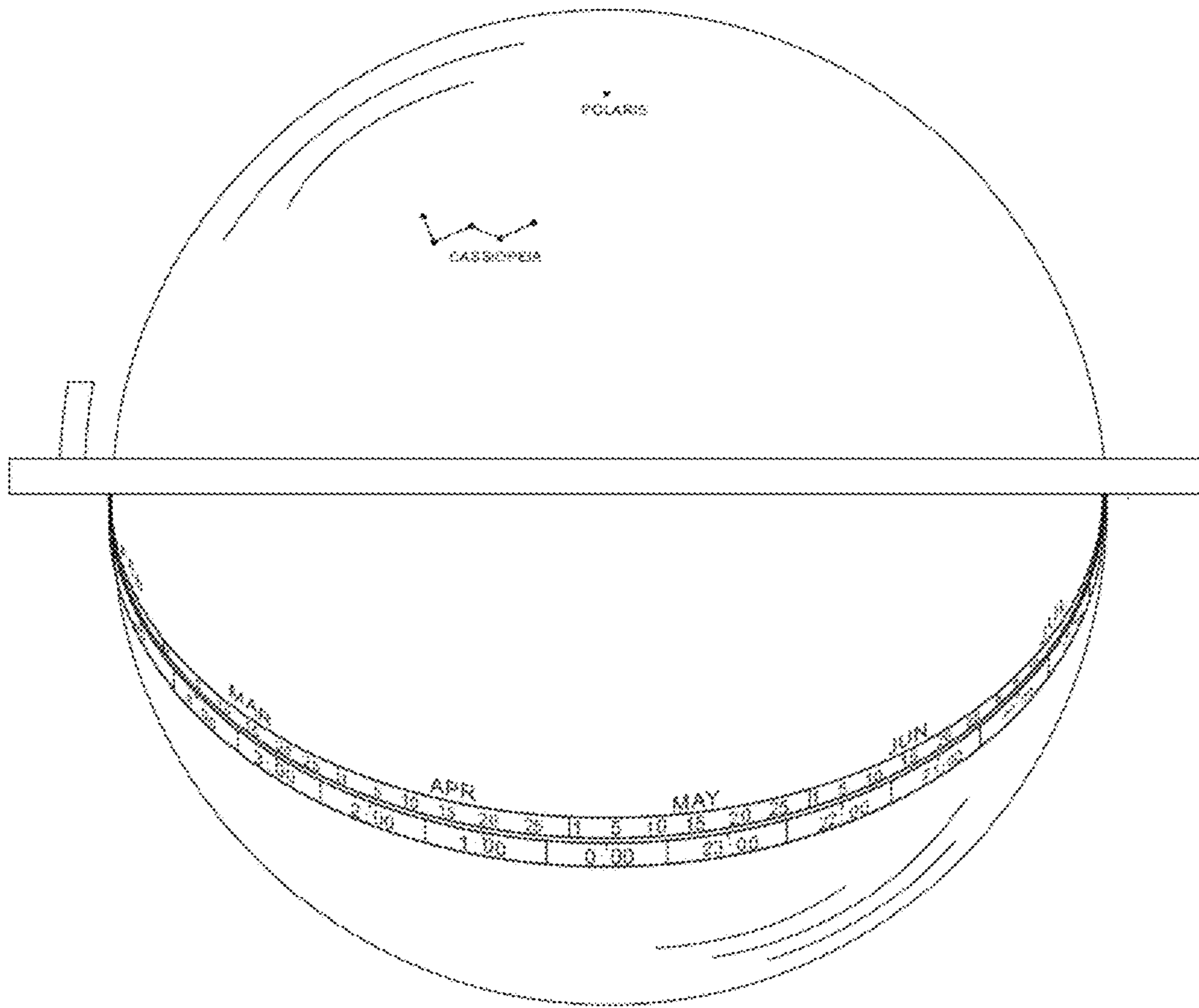


FIG. 2

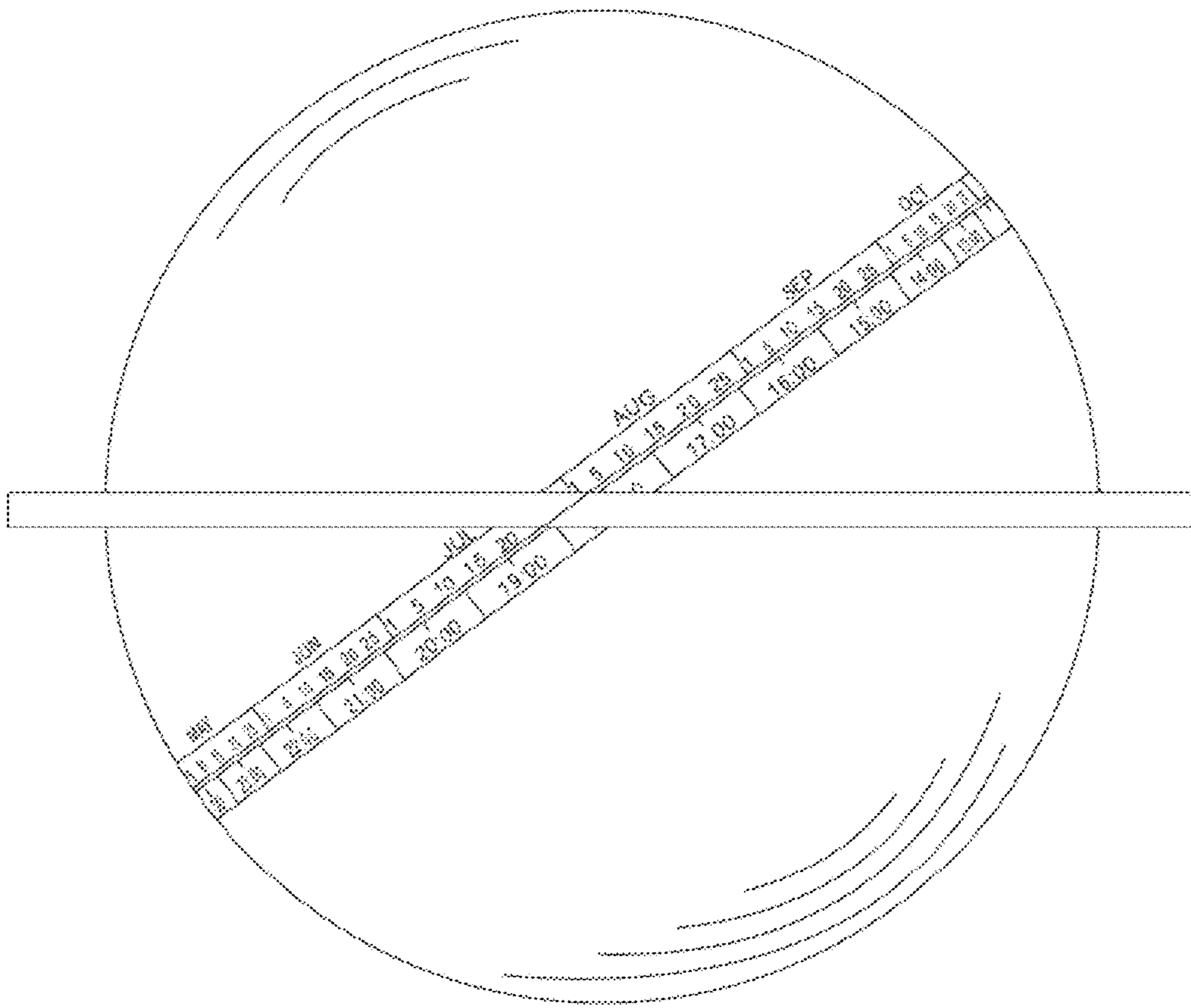


FIG. 3

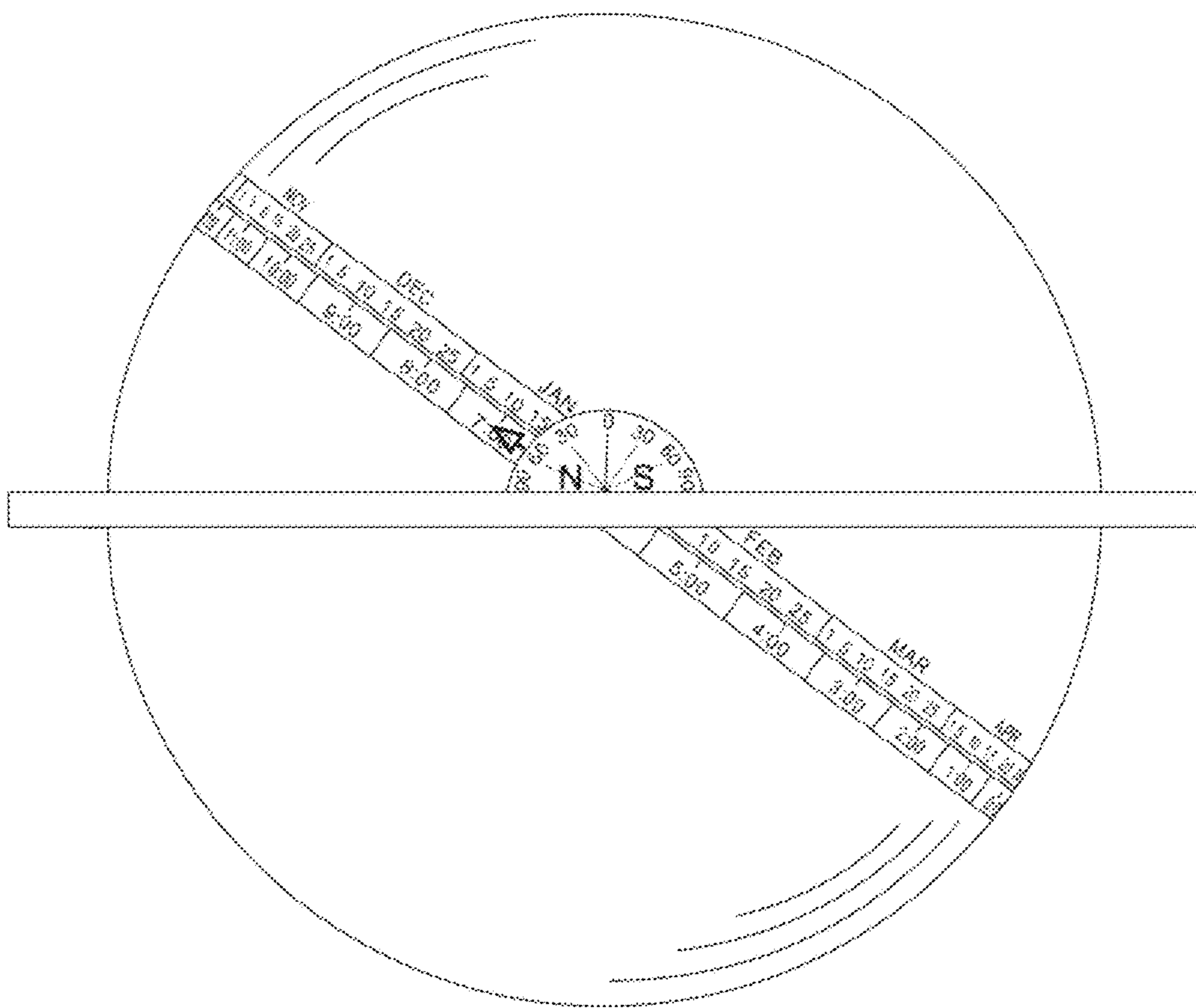


FIG. 4

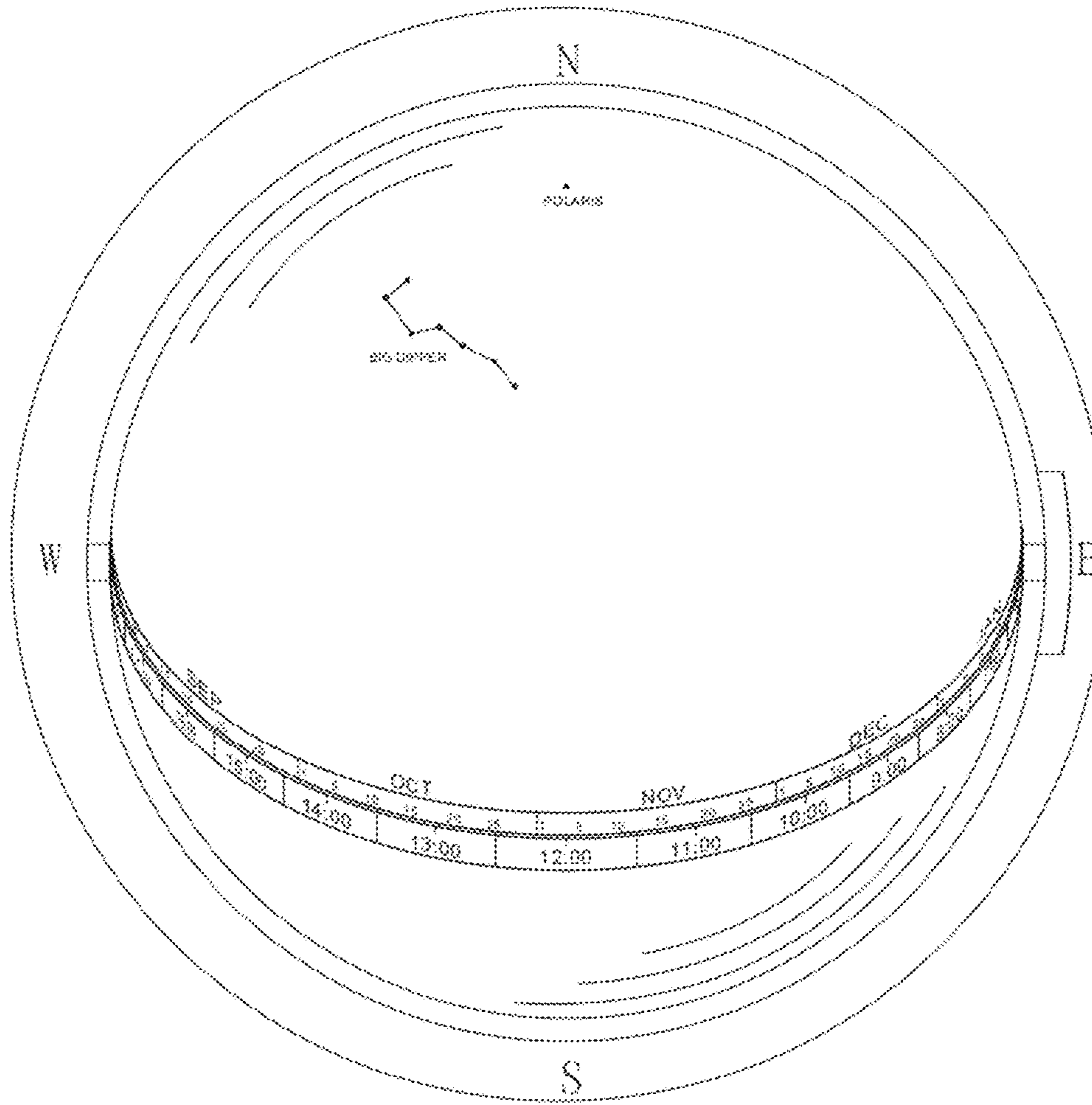


FIG. 5

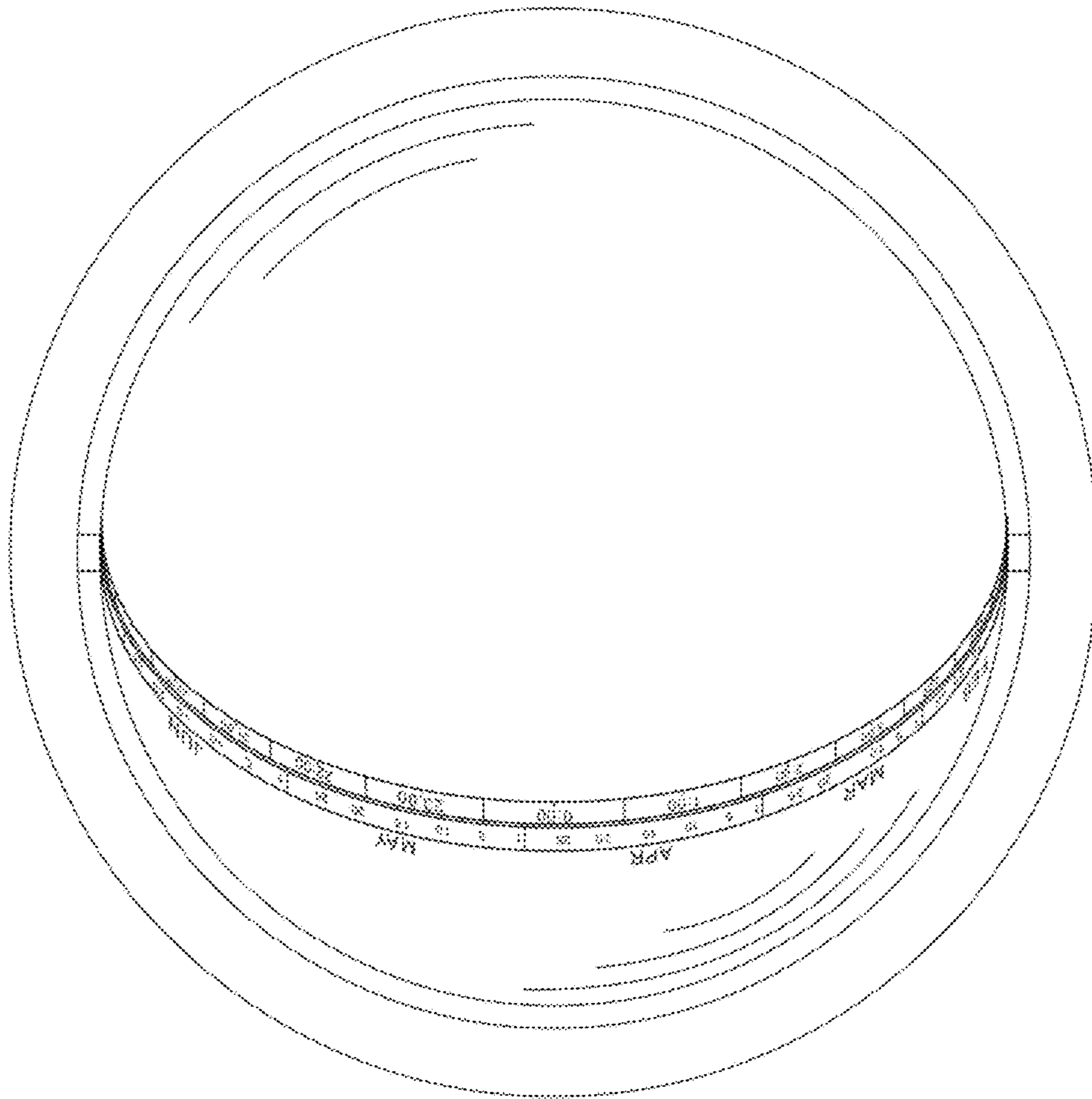


FIG. 6

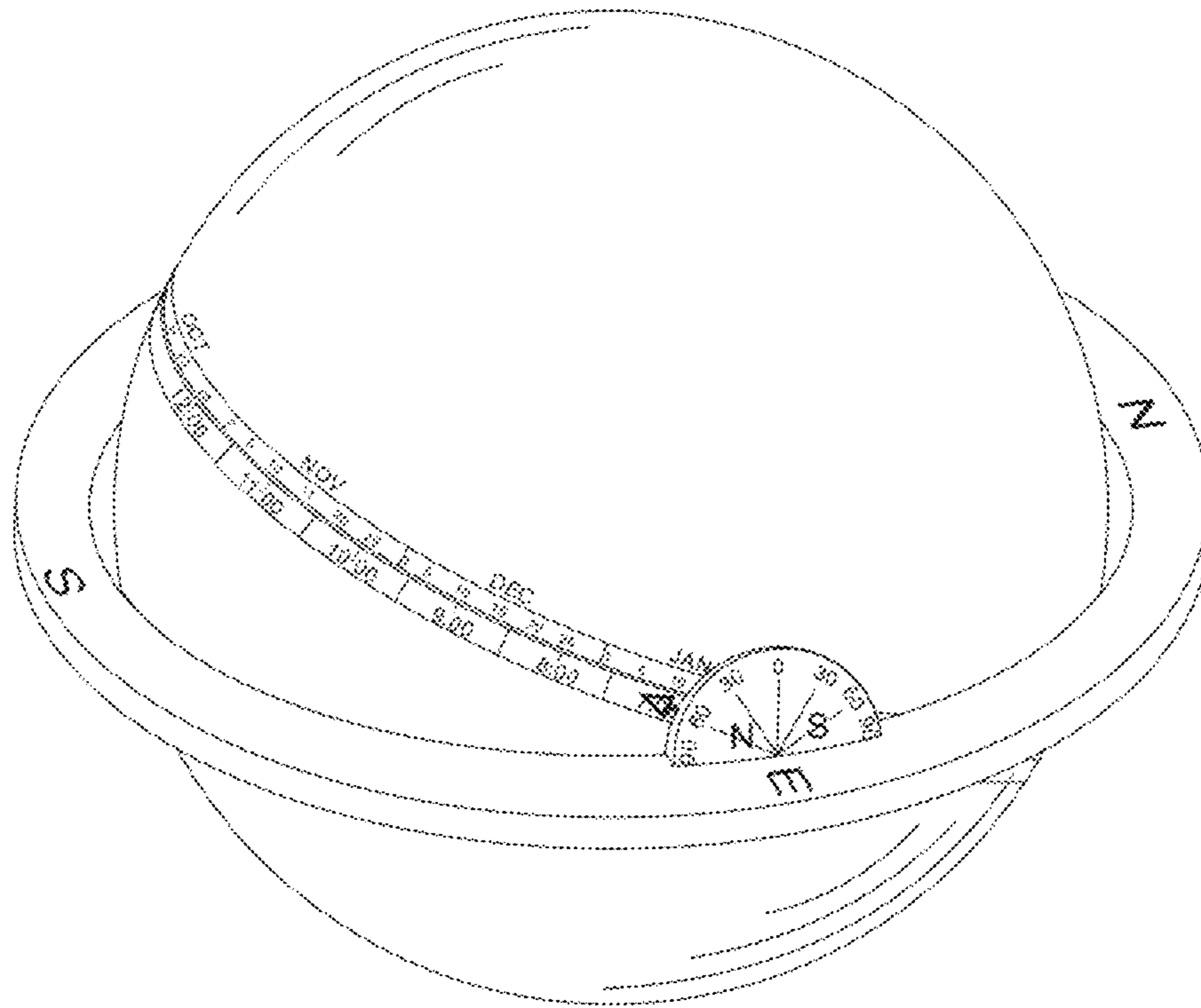


FIG. 7