



US00D785091S

(12) **United States Design Patent**
McNally

(10) **Patent No.:** **US D785,091 S**

(45) **Date of Patent:** **** Apr. 25, 2017**

- (54) **DRUMMER TRAINING APPARATUS**
- (71) Applicant: **Anthony McNally**, Newcastle (GB)
- (72) Inventor: **Anthony McNally**, Newcastle (GB)
- (**) Term: **15 Years**
- (21) Appl. No.: **29/548,317**
- (22) Filed: **Dec. 11, 2015**
- (51) **LOC (10) Cl.** **19-07**
- (52) **U.S. Cl.**
USPC **D19/59**
- (58) **Field of Classification Search**
USPC D19/59-64; D17/22, 99; 434/432, 433;
84/465, 470 R, 411 R, 471 R, 484, 453,
84/422.4, 411 P, 421; 984/257, 151, 250,
984/258; 482/44, 83; 211/195
CPC G10D 13/029; G10D 13/08; G10D 13/00;
G10D 13/003; G09B 15/06; G09B
15/007; G09B 15/00; G09B 15/001;
G09B 15/004; G10G 5/00
See application file for complete search history.

(56) **References Cited**

U.S. PATENT DOCUMENTS

- 3,186,290 A * 6/1965 Gould G10D 13/029
984/151
- 3,443,471 A * 5/1969 Di Muzio G09B 15/06
84/465
- 3,483,786 A * 12/1969 Heninger G10D 13/08
84/470 R
- 3,597,520 A * 8/1971 Andrews G10D 13/029
84/411 R
- 3,604,307 A * 9/1971 Vono G10D 13/00
482/44
- 3,960,046 A * 6/1976 Choong G09B 15/007
84/471 R
- D247,119 S * 1/1978 Nilsson D19/59
- 4,406,208 A * 9/1983 Nazer G09B 15/00
84/484

- 4,579,229 A * 4/1986 Porcaro G10G 5/00
984/257
- 4,817,489 A * 4/1989 Chabal G10D 13/00
84/453
- D302,701 S * 8/1989 Conaway D19/62
- D320,035 S * 9/1991 Magruder D17/22
- 5,520,090 A * 5/1996 Eagle G10D 13/029
84/422.4
- 5,597,968 A * 1/1997 Okamoto G09B 15/001
84/470 R
- D407,103 S * 3/1999 Contos D17/22
- 6,063,992 A * 5/2000 Schwagerl G10D 13/029
84/411 P

(Continued)

Primary Examiner — Ian Simmons
Assistant Examiner — Mark Cavanna
 (74) *Attorney, Agent, or Firm* — Richards Patent Law
 P.C.

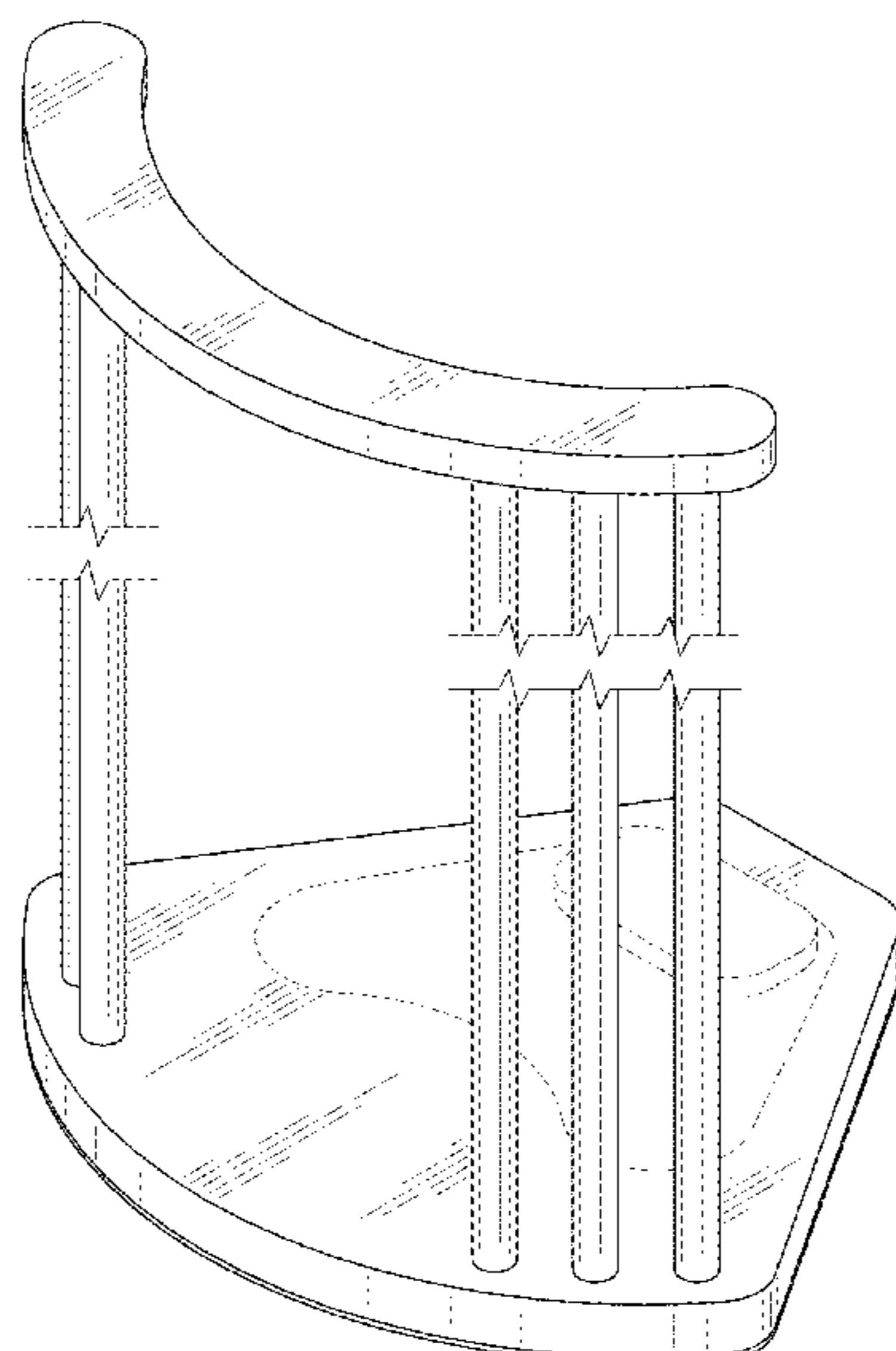
(57) **CLAIM**

The ornamental design for a drummer training apparatus, as shown and described.

DESCRIPTION

FIG. 1 is a perspective view of a drummer training apparatus.
 FIG. 2 is a front elevation view thereof.
 FIG. 3 is a rear elevation view thereof.
 FIG. 4 is a right side elevation view thereof.
 FIG. 5 is a left side elevation view thereof.
 FIG. 6 is a top view thereof; and,
 FIG. 7 is a bottom view thereof.
 The drummer training apparatus is shown with a symbolic break in its height. The appearance of any portion of the article between the break lines forms no part of the claimed design.
 The broken lines are included for the purpose of illustrating portions of the drummer training apparatus that forms no part of the claimed design.

1 Claim, 7 Drawing Sheets



(56)

References Cited

U.S. PATENT DOCUMENTS

6,284,959	B1 *	9/2001	Nicolosi	G10D 13/029 84/411 P
6,288,315	B1 *	9/2001	Bennett	G09B 15/004 84/470 R
6,362,407	B1 *	3/2002	Dennis	G10D 13/08 84/411 P
6,525,259	B2 *	2/2003	Sagastegui	G10D 13/029 84/411 R
D480,416	S *	10/2003	Wilfer	D17/22
6,683,240	B1 *	1/2004	Cubranich	G09B 15/06 84/465
7,202,406	B2 *	4/2007	Coleman	G09B 15/00 84/470 R
7,473,836	B2 *	1/2009	Barke	G09B 15/06 84/422.4
7,928,304	B2 *	4/2011	Eason	F16B 7/0486 84/421
8,657,129	B2 *	2/2014	Marks	G10D 13/00 211/195
D703,265	S *	4/2014	Lumpkin	D19/64
D757,160	S *	5/2016	McSweeney	D17/22
9,390,694	B2 *	7/2016	Berlinger	G10D 13/029
2009/0211432	A1 *	8/2009	Casillas	G09B 15/06 84/465
2015/0310841	A1 *	10/2015	Semenzato	G10D 13/029 84/465
2016/0335995	A1 *	11/2016	Asarisi	G10D 13/003

* cited by examiner

FIG. 1

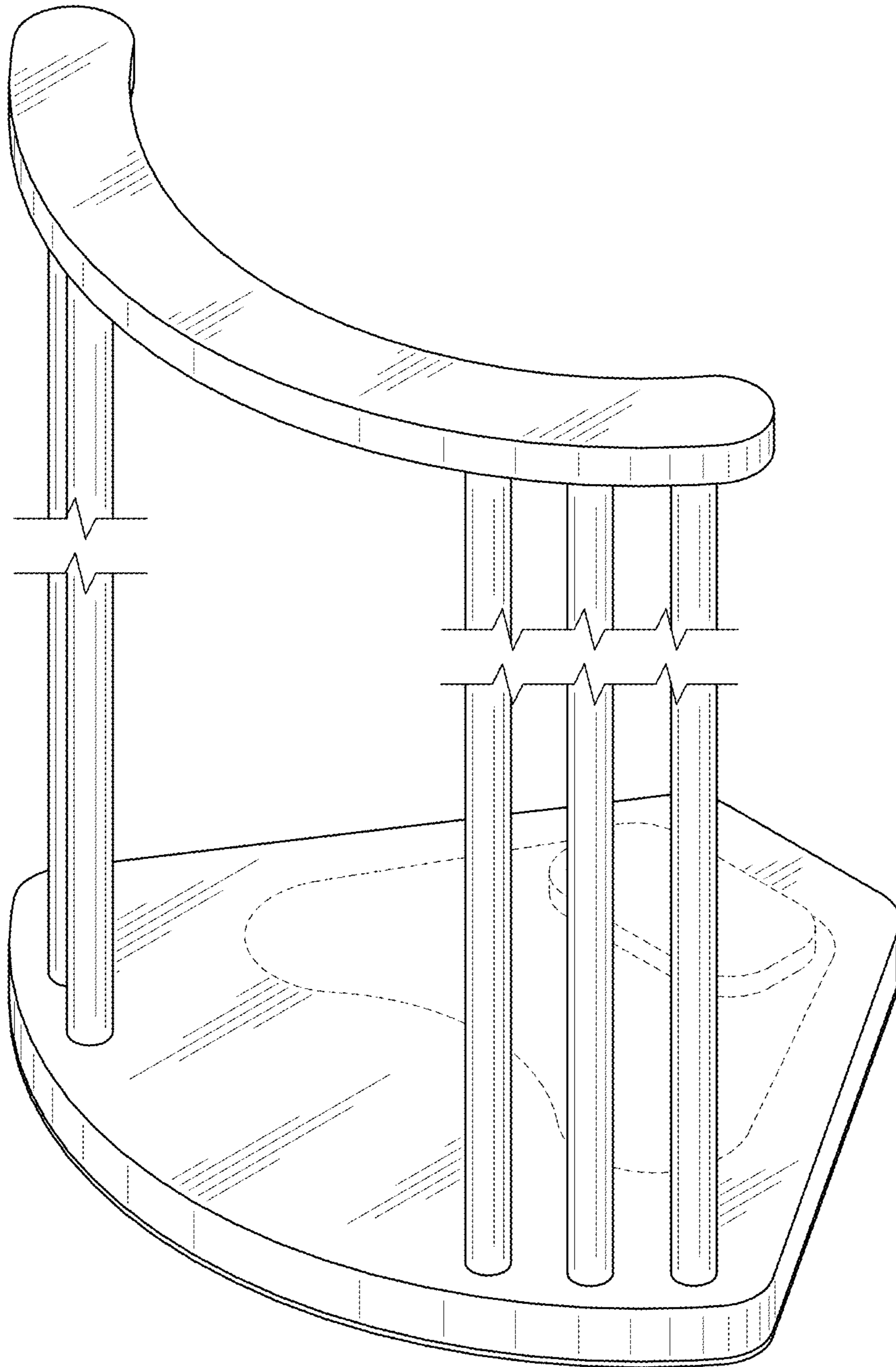


FIG. 2

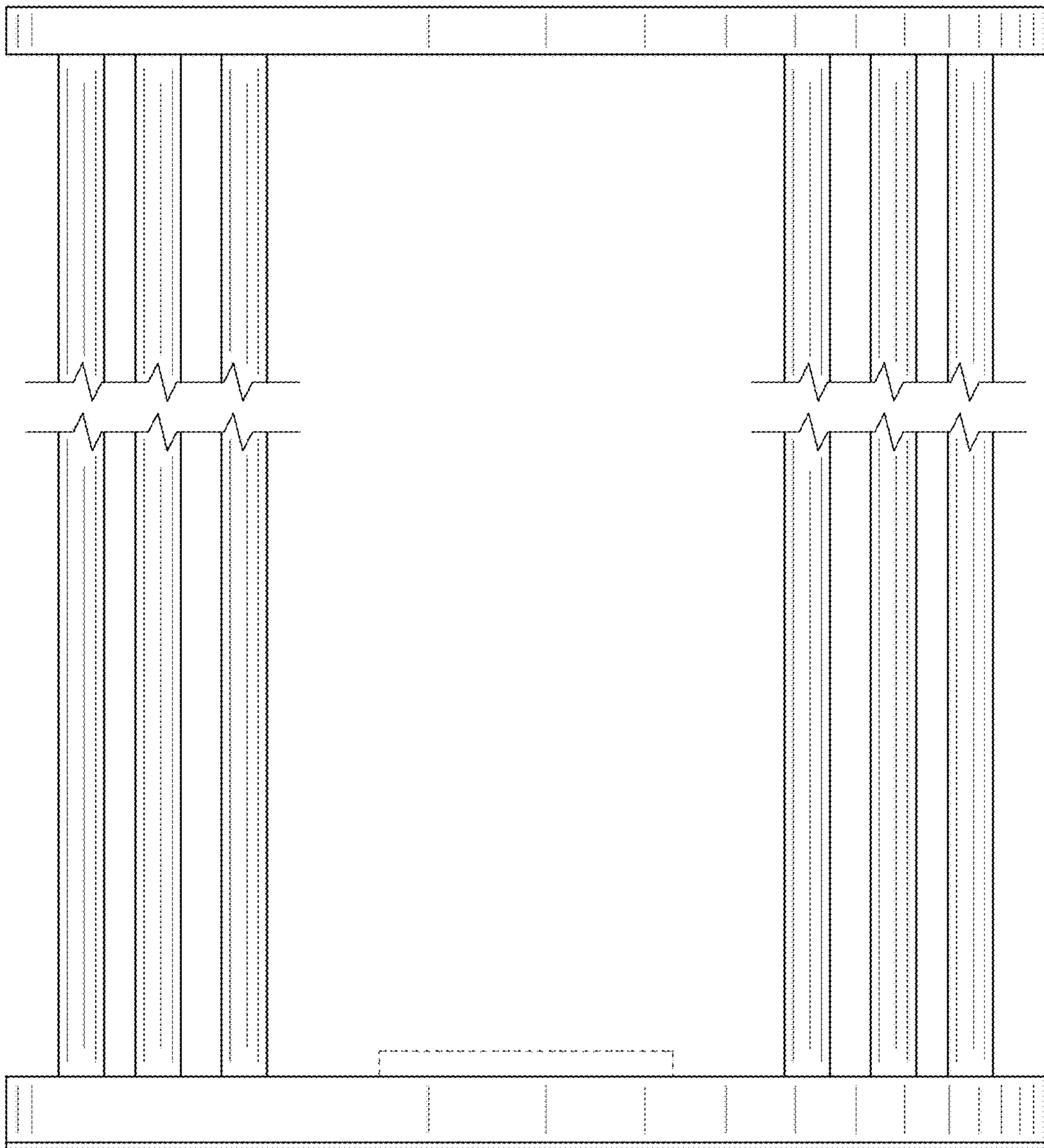


FIG. 3

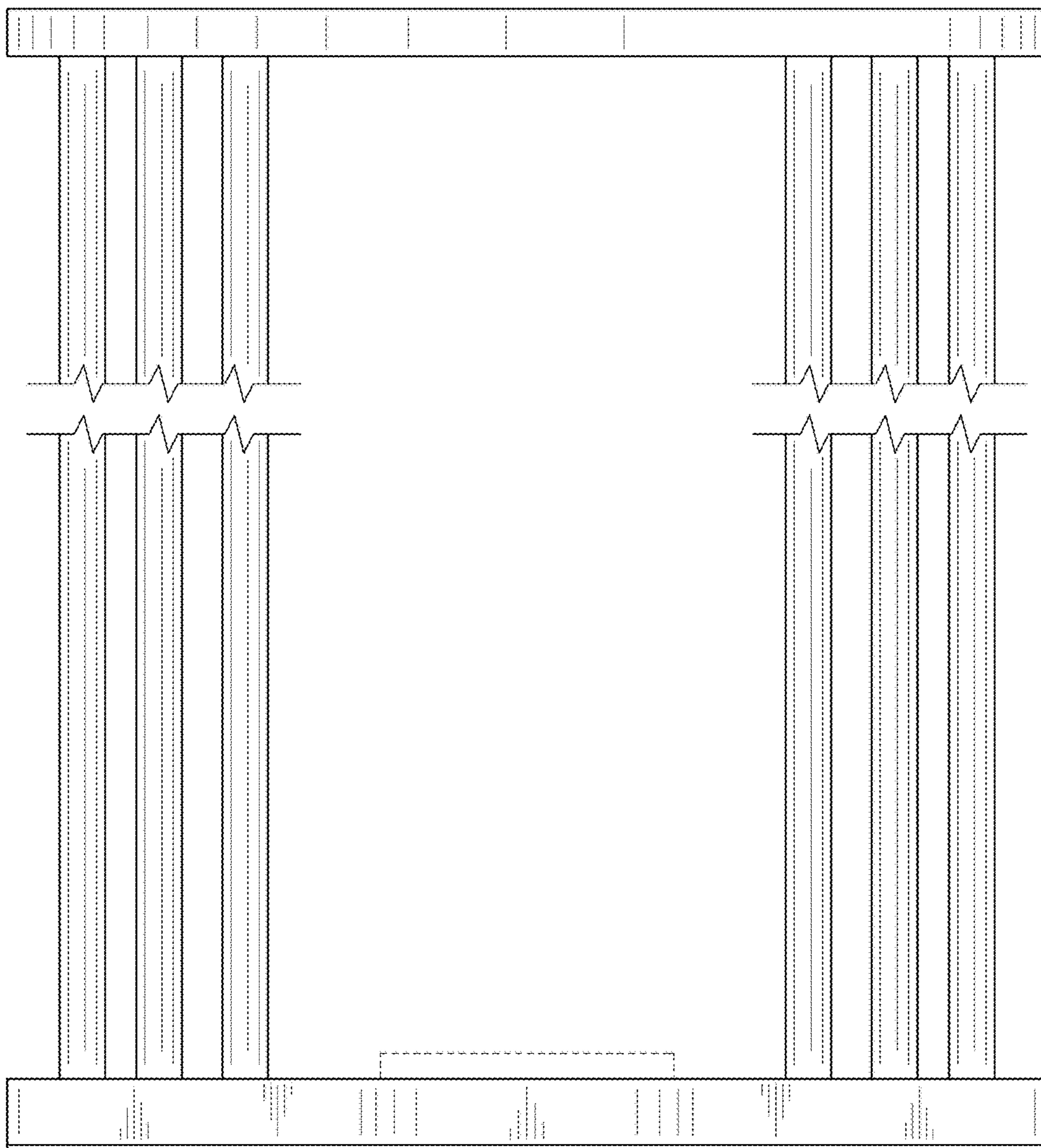


FIG. 4

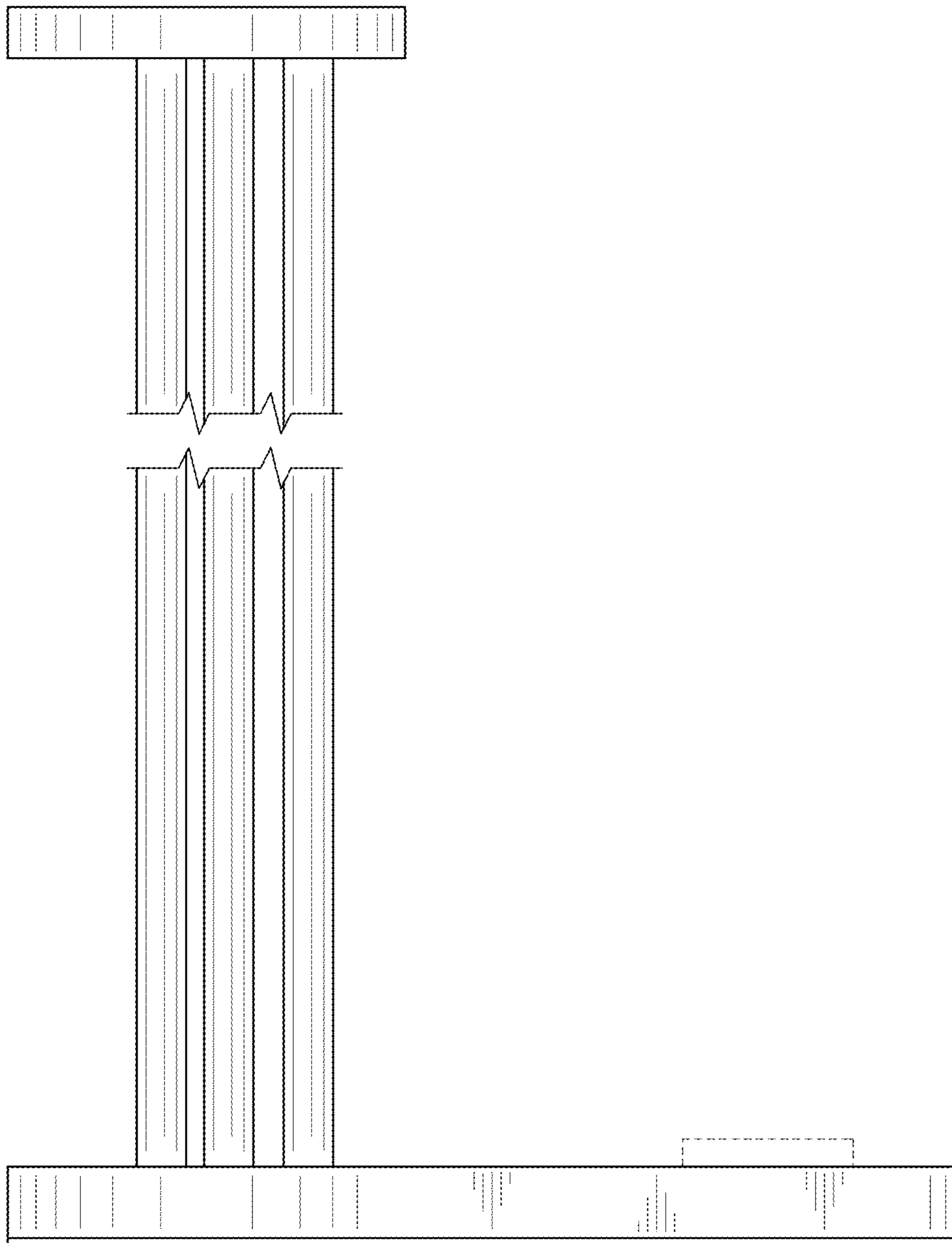


FIG. 5

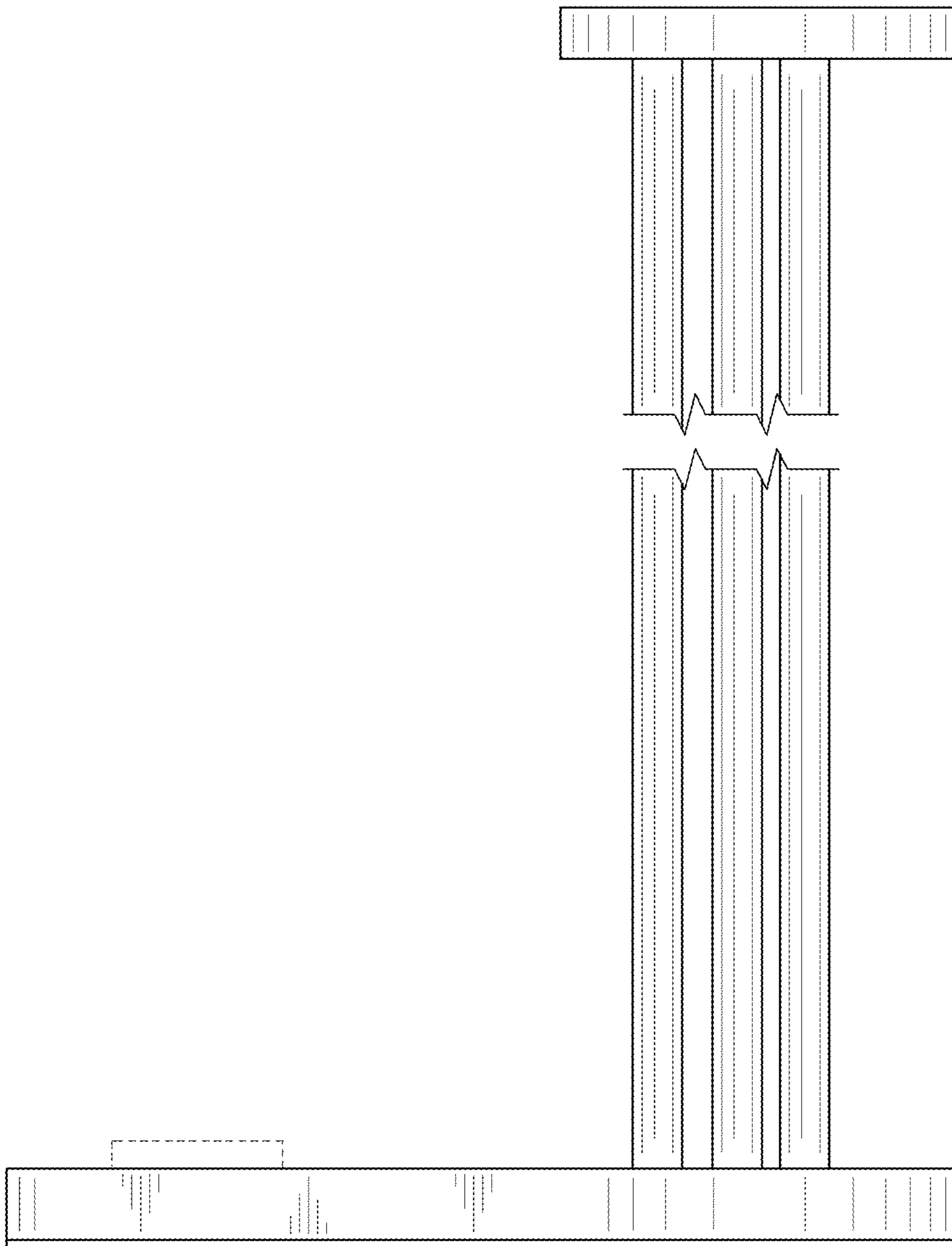


FIG. 6

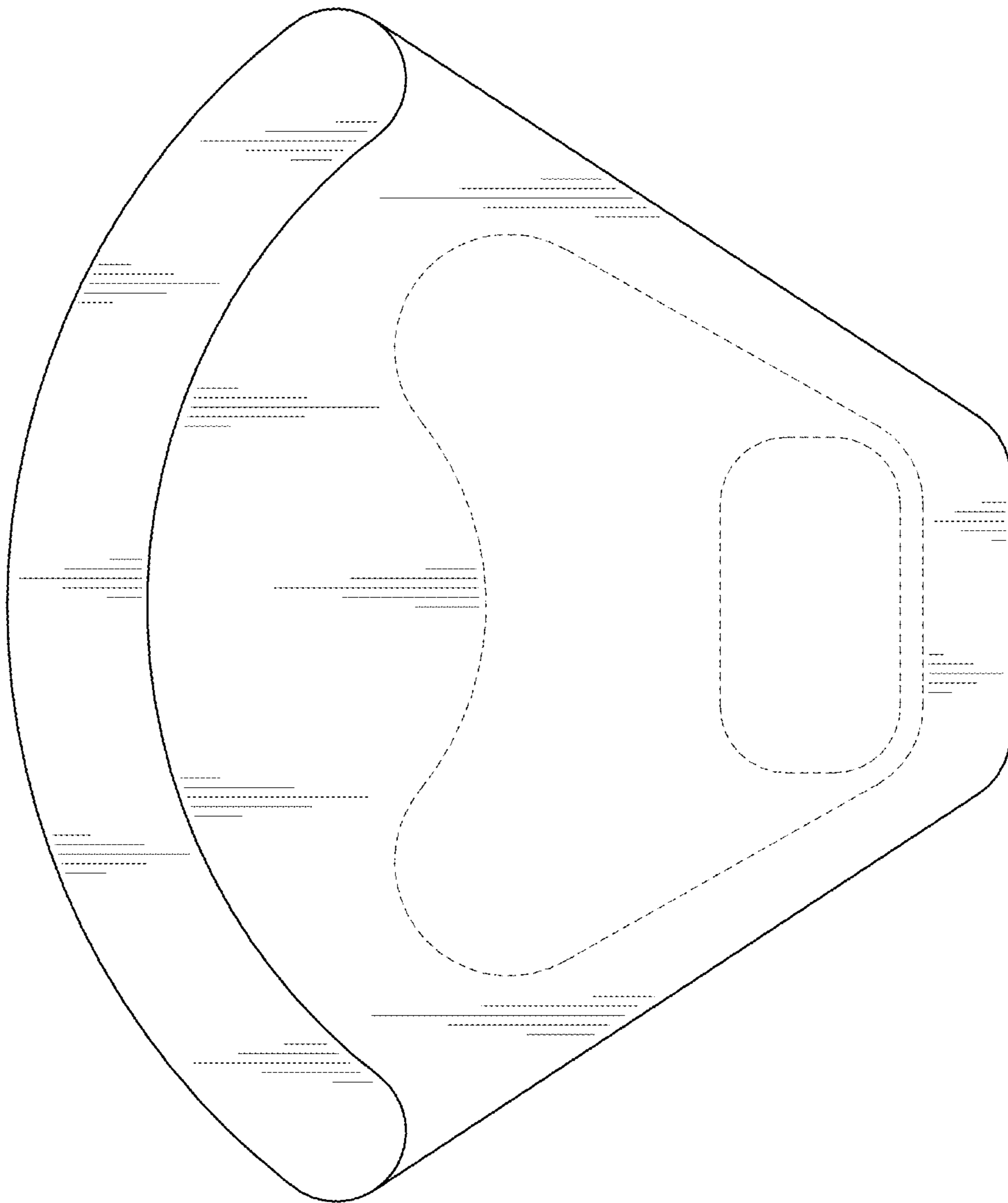


FIG. 7

