



US00D785089S

(12) **United States Design Patent** (10) **Patent No.:** **US D785,089 S**  
**Freeman, Jr. et al.** (45) **Date of Patent:** **\*\* Apr. 25, 2017**

(54) **GIFT CARD**

(71) Applicants: **Robert E Freeman, Jr.**, Arlington, VA  
(US); **Rondel Towe**, Houston, TX (US)

(72) Inventors: **Robert E Freeman, Jr.**, Arlington, VA  
(US); **Rondel Towe**, Houston, TX (US)

(\*\*) Term: **15 Years**

(21) Appl. No.: **29/551,165**

(22) Filed: **Jan. 11, 2016**

(51) **LOC (10) Cl.** ..... **19-01**

(52) **U.S. Cl.**  
USPC ..... **D19/1**

(58) **Field of Classification Search**

USPC ..... D19/1-12, 20-34; D20/10, 22, 27, 40,  
D20/42; 428/15-20, 27, 8-9; 229/67.1,  
229/92.8, 92, 92.1, 300-303; 220/495.03;  
283/117, 56, 2-4, 74-75, 103, 105-106;  
446/147-149, 487-488; 206/461, 575,  
206/577, 45.28, 45.29, 767-768, 449,  
206/308.3; 40/124.01-124.15, 124.19,  
40/538-539, 421

CPC .... B42D 15/00; B42D 15/022; B42D 15/042;  
B42D 15/027; B42D 15/045; B42D  
25/00; B42D 25/20; B42D 25/30; B42D  
25/23; B42D 25/26; B42D 25/29; G09F  
1/00; G09F 1/06; G09F 1/08; G09F  
19/00; G09F 19/02; G09F 19/08

See application file for complete search history.

(56) **References Cited**

**U.S. PATENT DOCUMENTS**

D319,843 S \* 9/1991 Thornell ..... D19/2  
D660,912 S \* 5/2012 Denzinger ..... D19/91

D703,739 S \* 4/2014 Pacquette ..... D19/1  
D730,742 S \* 6/2015 Glass ..... D9/418  
D739,766 S \* 9/2015 Glass ..... D9/705  
D745,390 S \* 12/2015 Glass ..... D9/423  
D766,364 S \* 9/2016 Nelson ..... D19/2

\* cited by examiner

*Primary Examiner* — Abraham Bahta

(74) *Attorney, Agent, or Firm* — Patrick D. Lowder, Esq.;  
Smith Tempel Blaha LLC

(57) **CLAIM**

The ornamental design for a gift card, as shown and described.

**DESCRIPTION**

FIG. 1 is a left side perspective view of the gift card showing my new design;

FIG. 2 is a right side perspective view thereof;

FIG. 3 is a front view thereof;

FIG. 4 is a rear view thereof;

FIG. 5 is a left side view thereof;

FIG. 6 is right side view thereof;

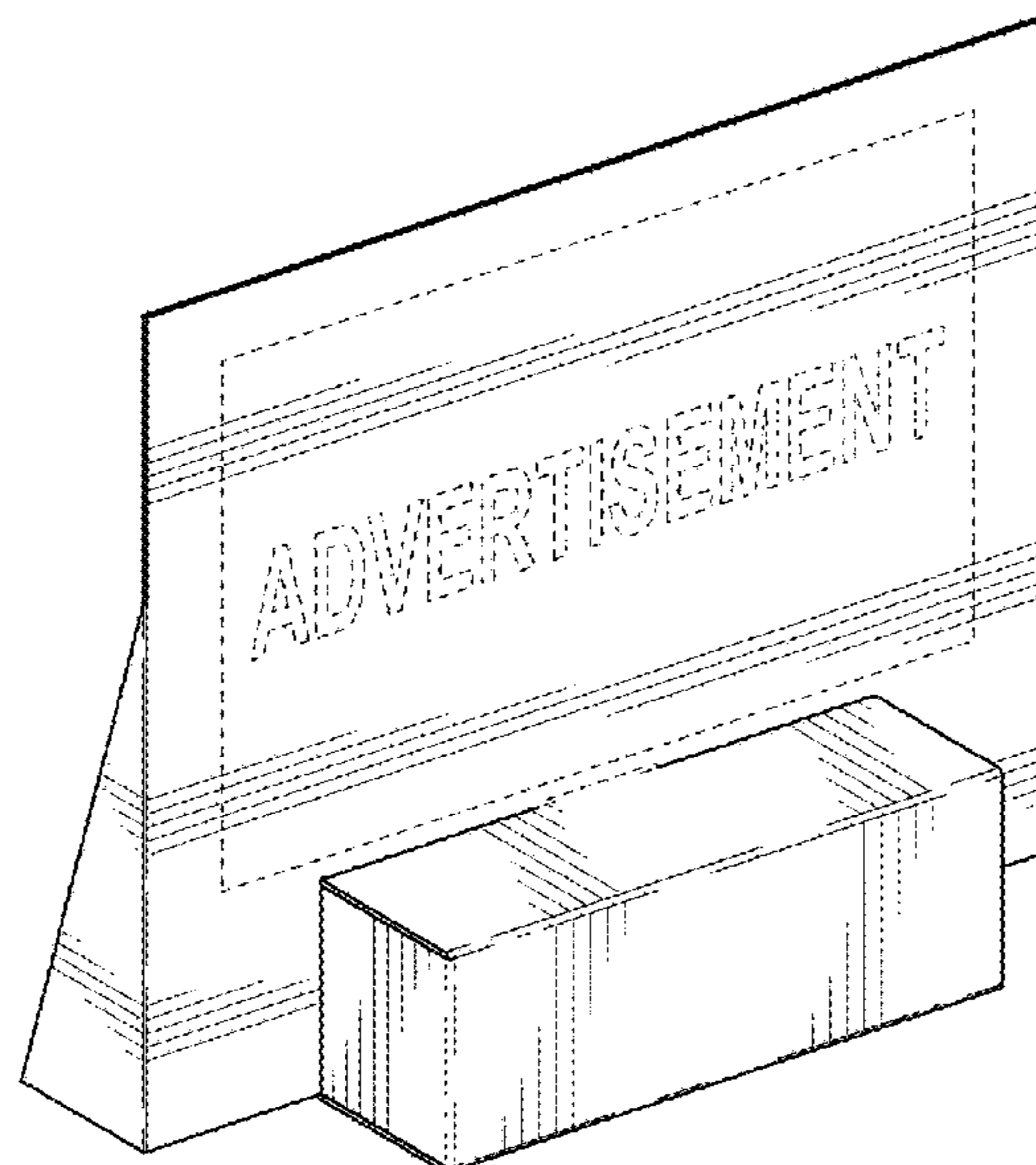
FIG. 7 is a top view thereof;

FIG. 8 is a bottom view thereof; and,

FIG. 9 is a top view of the gift card in an unfolded configuration.

The broken line showing is included for the purpose of illustrating portions of the article and forms no part of the claimed design.

**1 Claim, 4 Drawing Sheets**



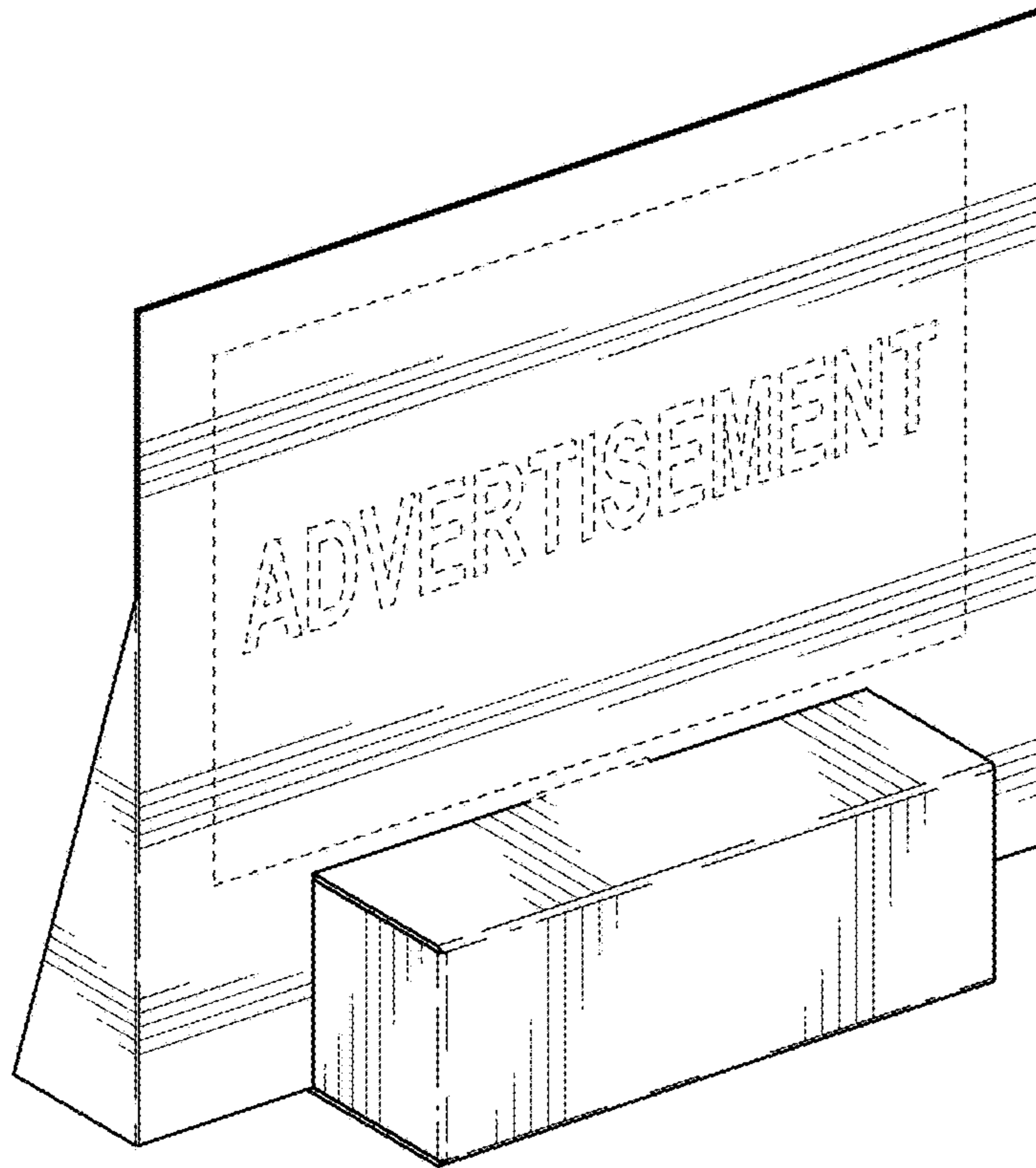


FIG. 1

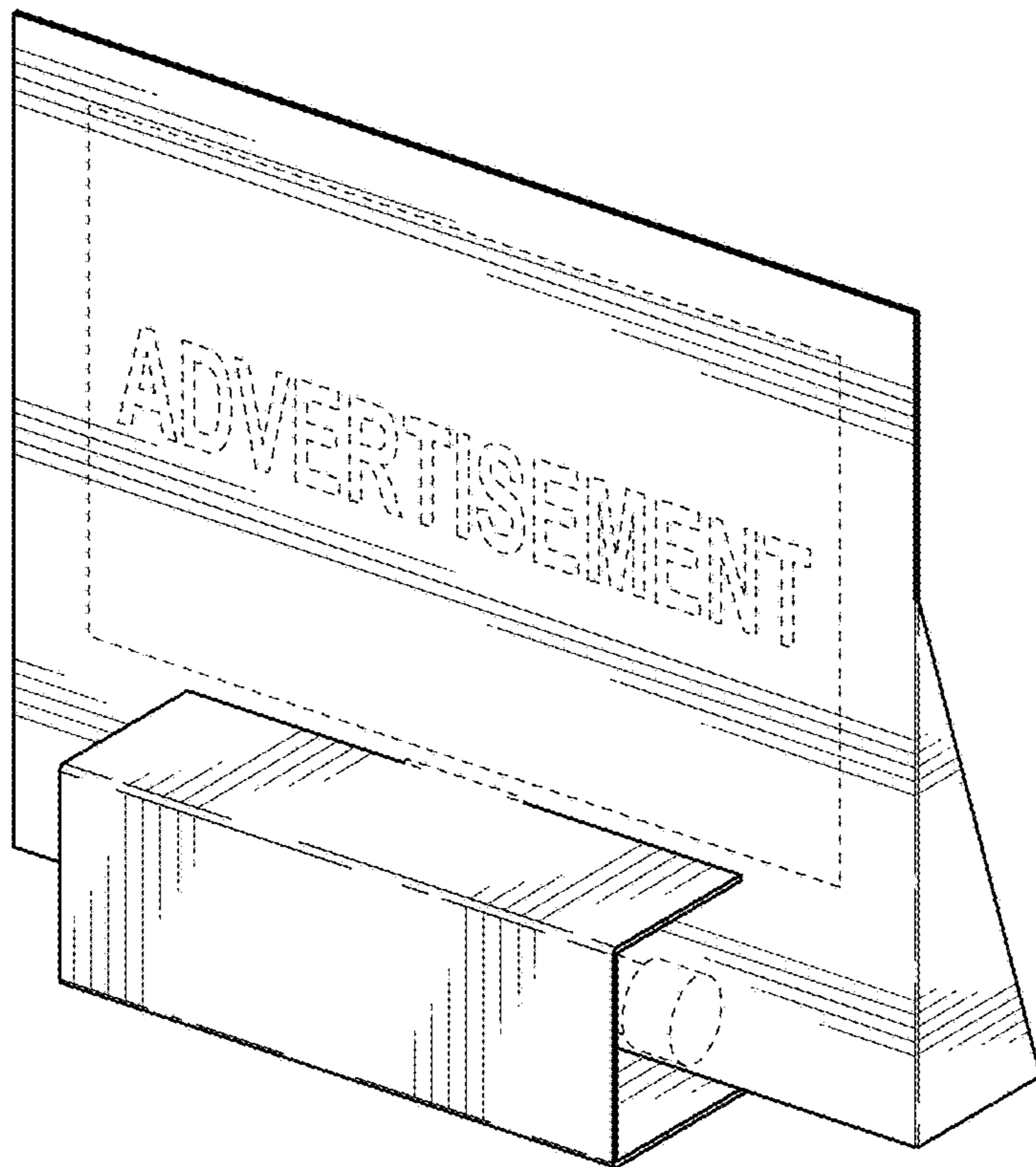


FIG. 2

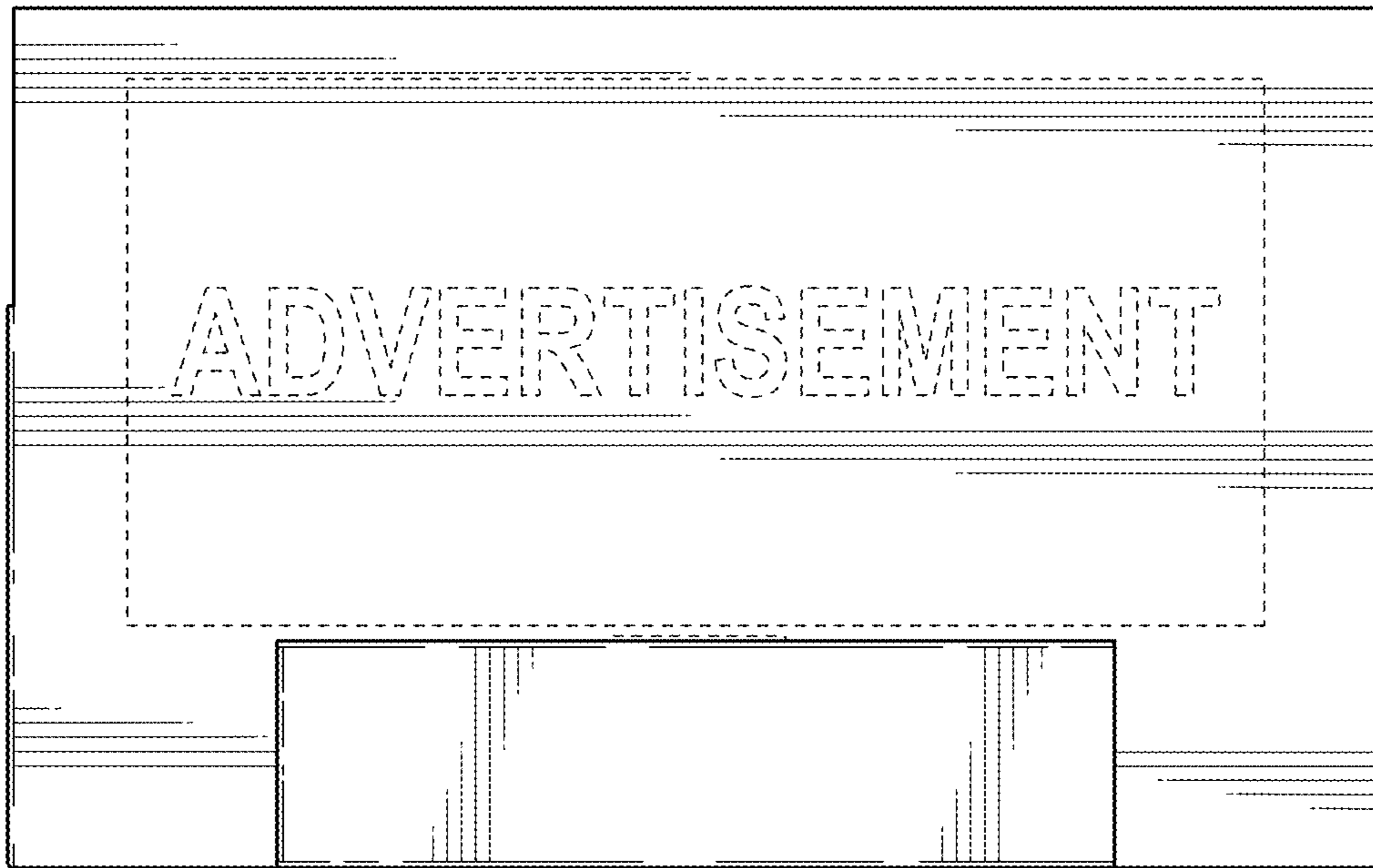


FIG. 3

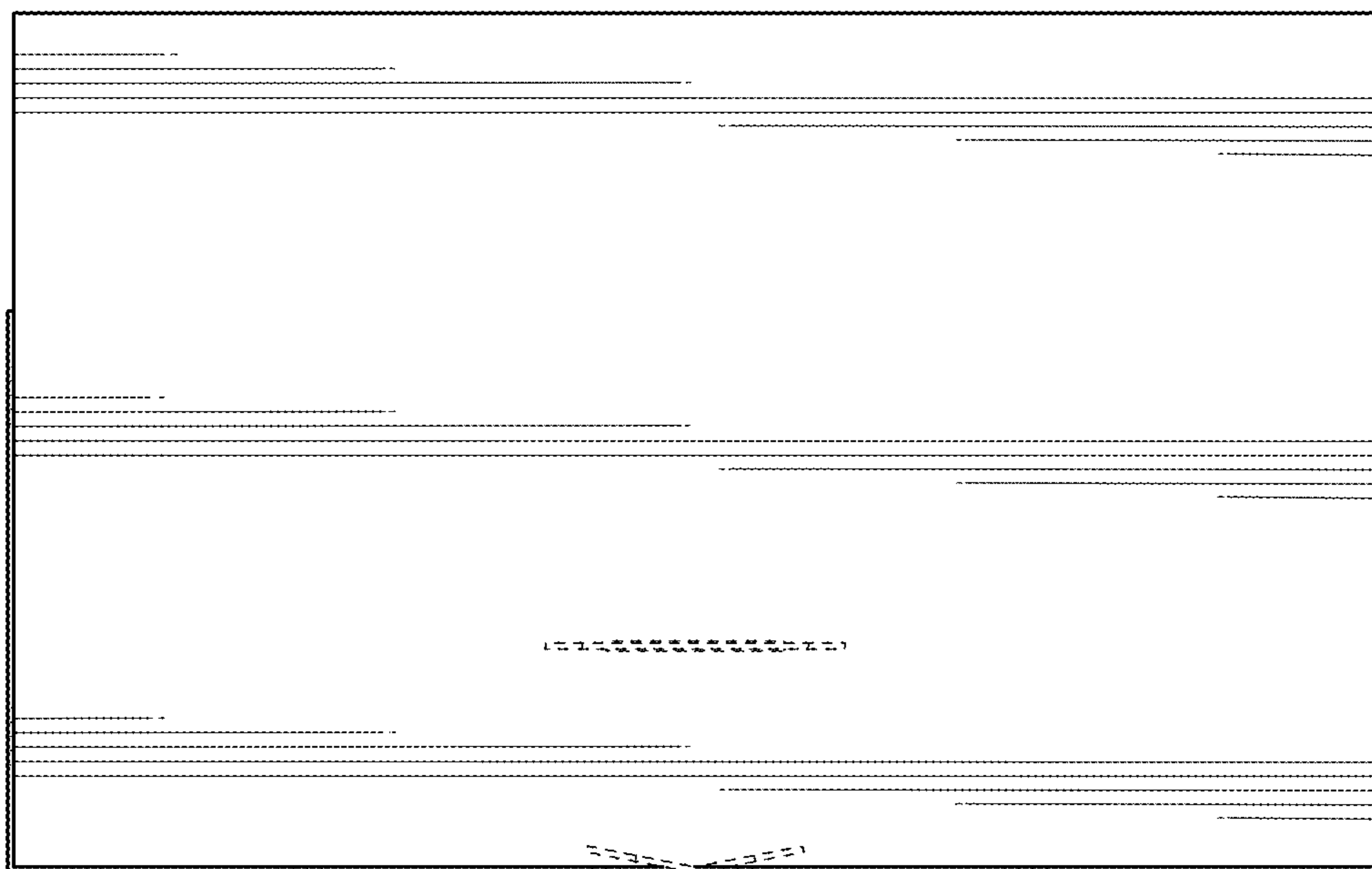


FIG. 4

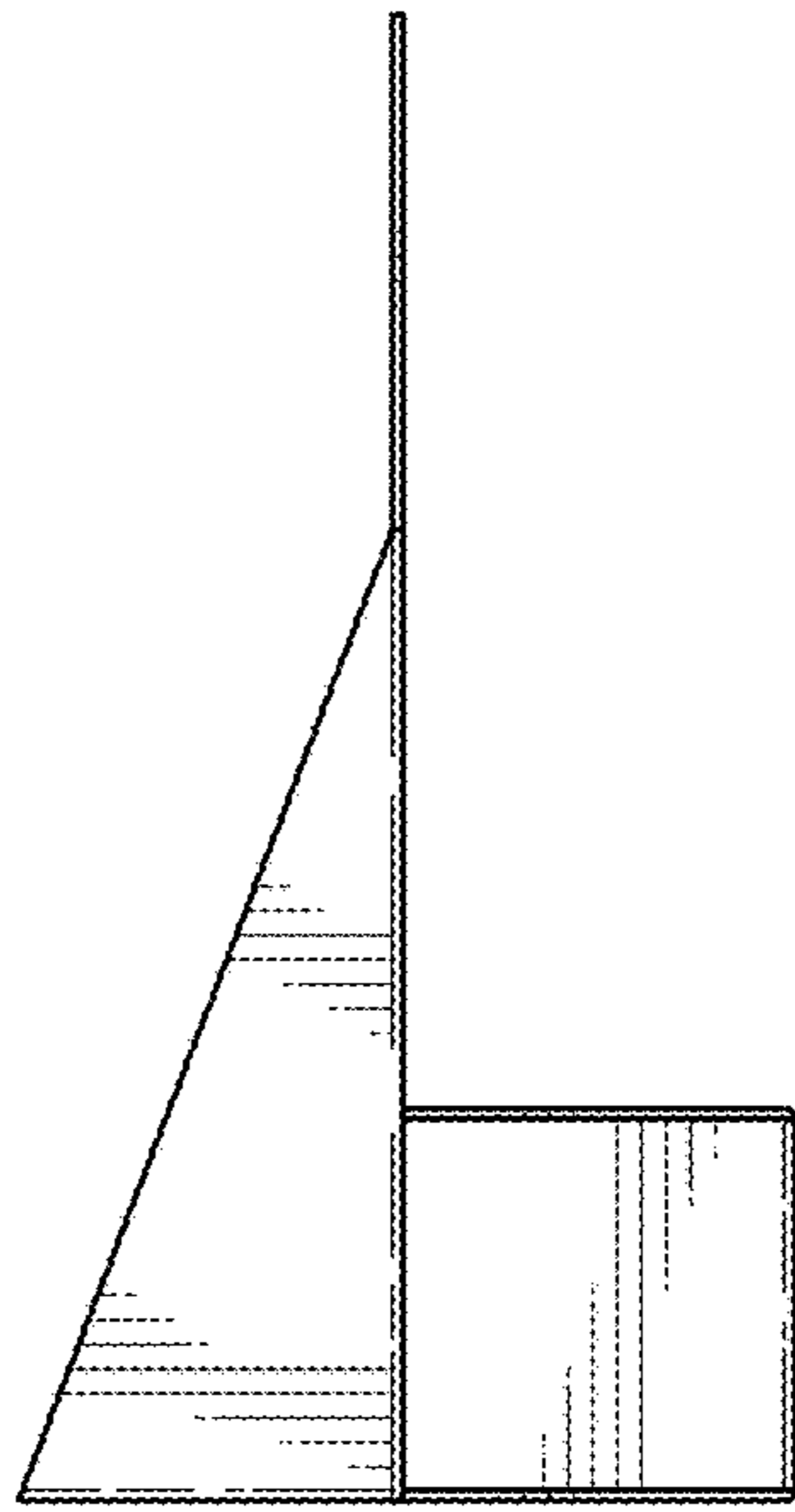


FIG. 5

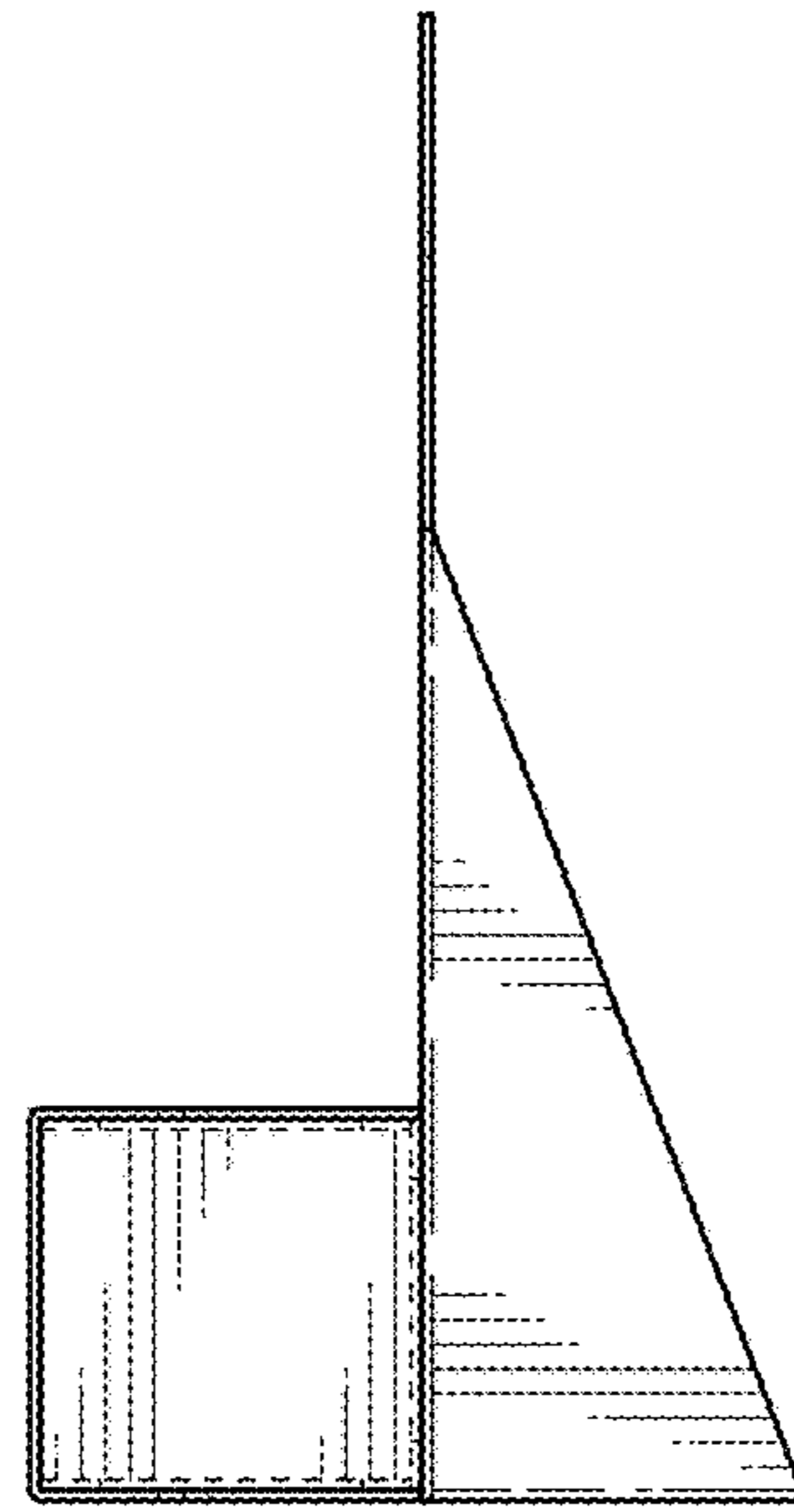


FIG. 6

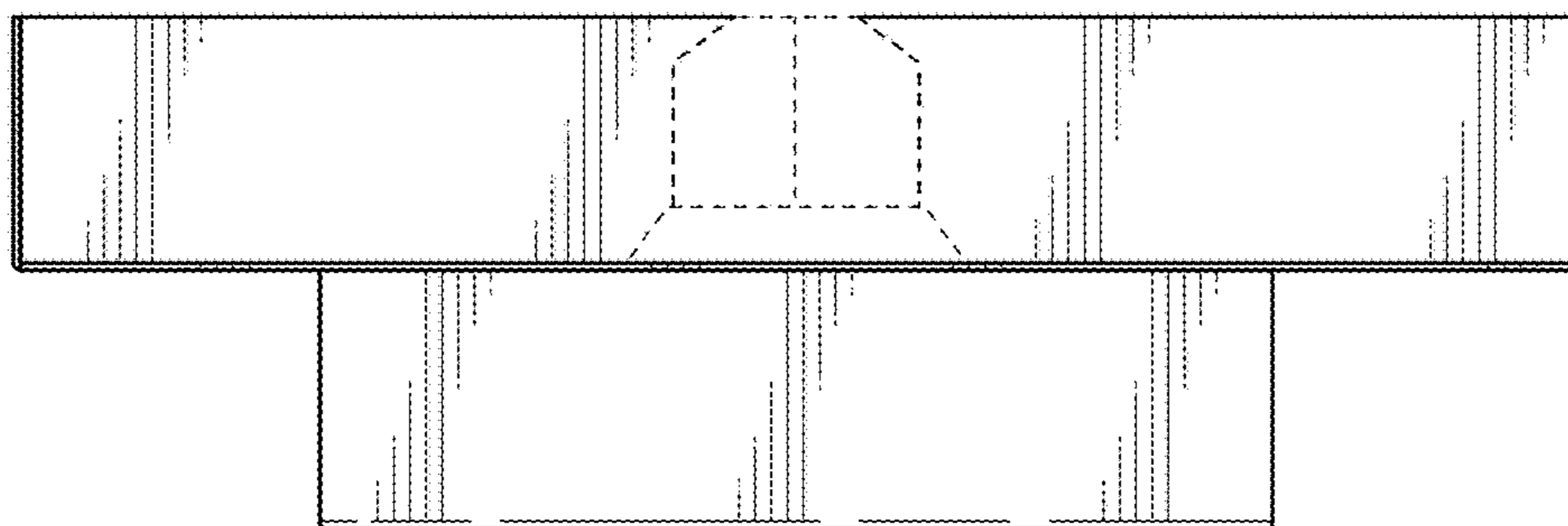


FIG. 7

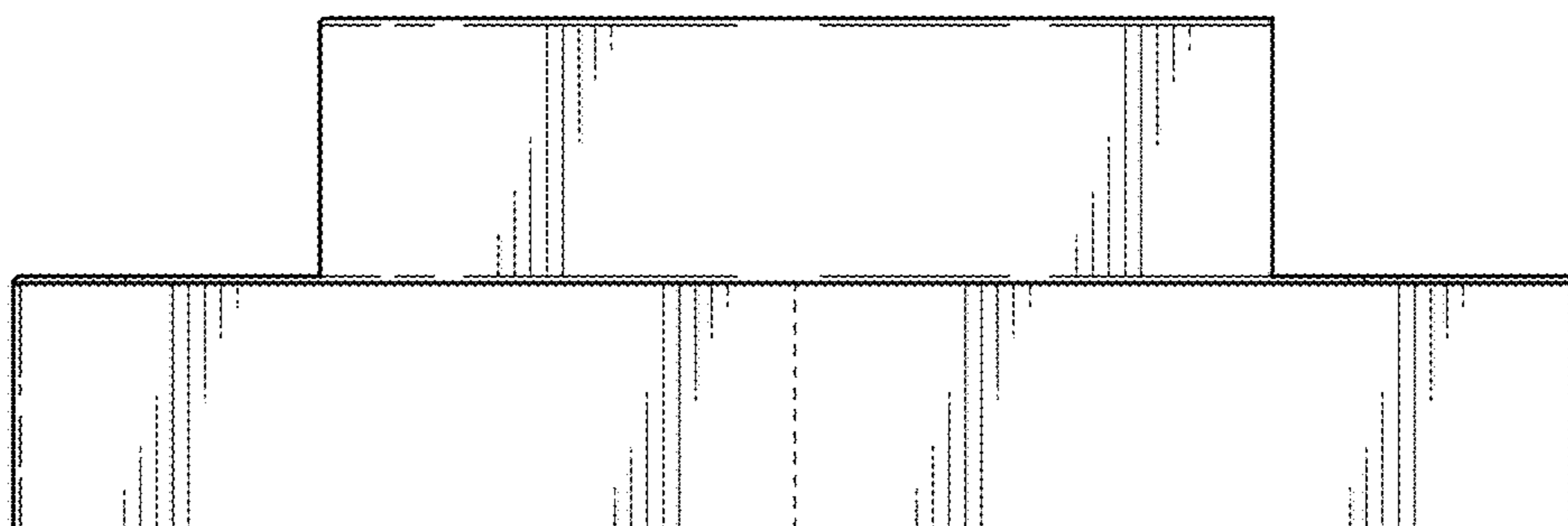


FIG. 8

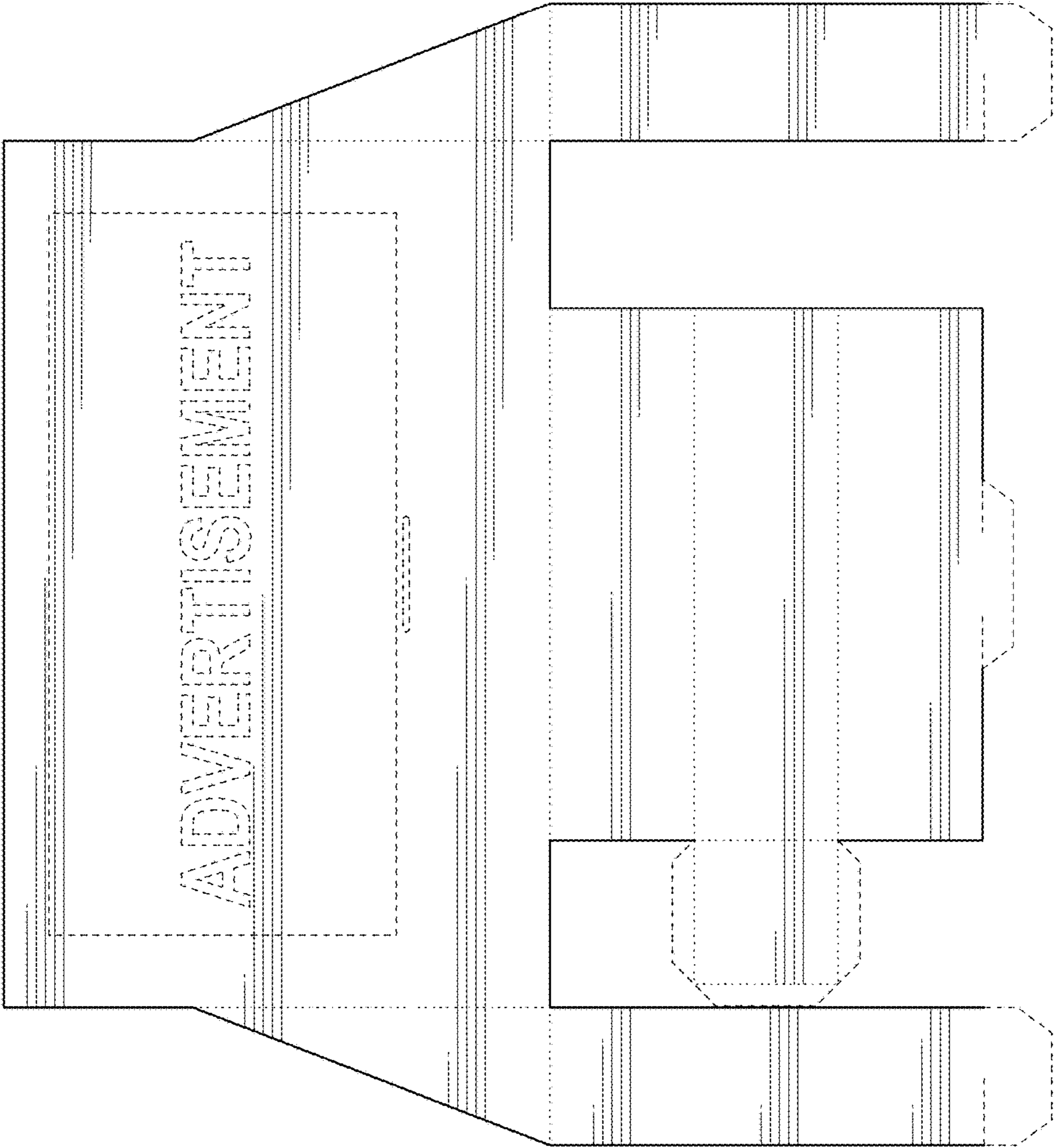


FIG. 9