



US00D785088S

(12) **United States Design Patent**
Pangburn et al.

(10) **Patent No.:** **US D785,088 S**

(45) **Date of Patent:** **** Apr. 25, 2017**

(54) **WASTE TONER BOTTLE FOR A PRINTER**

(71) Applicant: **LEXMARK INTERNATIONAL, INC.**, Lexington, KY (US)

(72) Inventors: **Thomas Eugene Pangburn**, Winchester, KY (US); **Glen Alan Reidhaar**, Lexington, KY (US)

(73) Assignee: **Lexmark International, Inc.**, Lexington, KY (US)

(**) Term: **15 Years**

(21) Appl. No.: **29/547,822**

(22) Filed: **Dec. 8, 2015**

(51) **LOC (10) Cl.** **18-02**

(52) **U.S. Cl.**
USPC **D18/56**

(58) **Field of Classification Search**
USPC D10/24, 29, 46.1, 47, 50, 51, 52, 102, D10/106, 106.95; D18/18, 40, 43, 44, D18/99; D19/190, 191, 192, 193
CPC ... B41J 13/10; B41J 29/00; B41J 29/02; B41J 29/18; G06F 3/12; G03G 21/16; G03G 15/00

See application file for complete search history.

(56) **References Cited**

U.S. PATENT DOCUMENTS

5,106,220	A *	4/1992	Ricca	B41J 11/48
					346/145
D355,136	S *	2/1995	Highman	D10/49
D490,846	S *	6/2004	Suzuki	D18/56
D519,150	S *	4/2006	Kojima	D18/40
D549,280	S *	8/2007	Morino	347/86
D588,192	S *	3/2009	Han	D18/43
D590,439	S *	4/2009	Kikuchi	D18/40
D595,343	S *	6/2009	Ishikawa	D18/43
D598,049	S *	8/2009	Park	D18/43

D639,335	S *	6/2011	Kanno	D18/43
D652,072	S *	1/2012	Han	D18/43
D653,283	S *	1/2012	Eto	D18/43
D656,183	S *	3/2012	Nanjo	D18/56
D658,228	S *	4/2012	Maeshima	D18/43
D659,188	S *	5/2012	Kanbe	D18/56
D667,491	S *	9/2012	Williamson	D18/56
D668,289	S *	10/2012	Yamaguchi	D18/43
D675,252	S *	1/2013	Harvey	D18/56
D676,767	S *	2/2013	Tamborra	D10/49
D686,278	S *	7/2013	Ito	D18/56
D692,945	S *	11/2013	Noh	D18/43
D728,012	S *	4/2015	Yoshii	D18/43
D734,181	S *	7/2015	Matsuguma	D10/52
D745,833	S *	12/2015	Counts	D10/106.95
D753,761	S *	4/2016	Massaro, Jr.	D18/43
D754,247	S *	4/2016	Lee	D18/43
D755,888	S *	5/2016	Lee	D18/43
D757,161	S *	5/2016	Takahashi	D18/43
D761,908	S *	7/2016	Takagiwa	D18/56
D767,020	S *	9/2016	Su	D18/56

(Continued)

Primary Examiner — Manpreet Matharu

Assistant Examiner — Suzanne Tisdell

(74) *Attorney, Agent, or Firm* — John Victor Pezdek

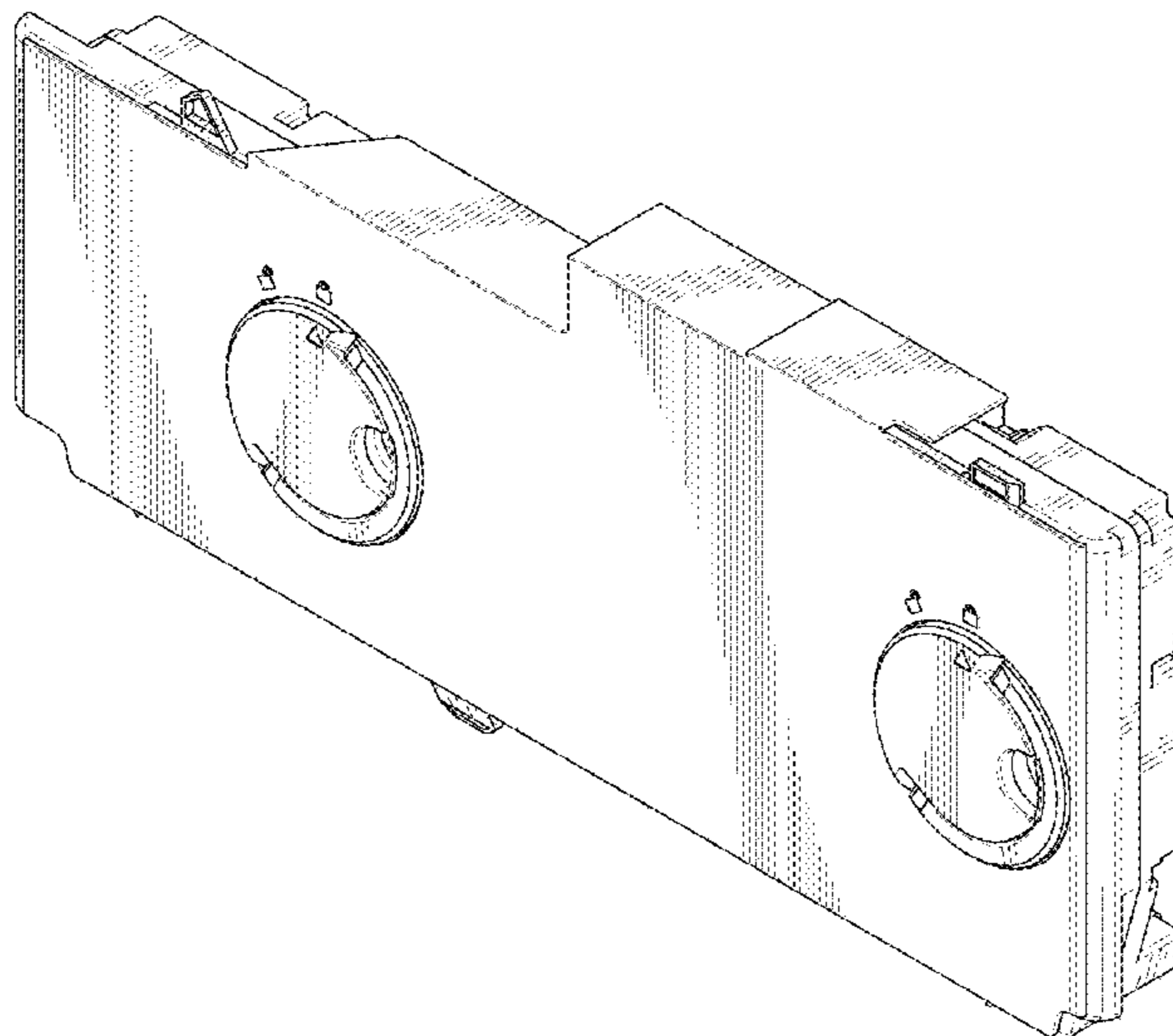
(57) **CLAIM**

The ornamental design for a waste toner bottle for a printer, as shown and described.

DESCRIPTION

FIG. 1 is a front, top and right side perspective view of a waste toner bottle for a printer showing our new design; FIG. 2 is a rear, bottom, and left side perspective thereof; FIG. 3 is a front elevation thereof; FIG. 4 is a right side view elevation thereof; FIG. 5 is a rear elevation view thereof; FIG. 6 is a left side elevation view thereof; FIG. 7 is a top plan view thereof; and, FIG. 8 is a bottom plan view thereof.

1 Claim, 6 Drawing Sheets



(56)

References Cited

U.S. PATENT DOCUMENTS

2016/0052290 A1* 2/2016 Takahashi B41J 2/17566
347/7
2016/0243864 A1* 8/2016 Kurita B41J 29/02

* cited by examiner

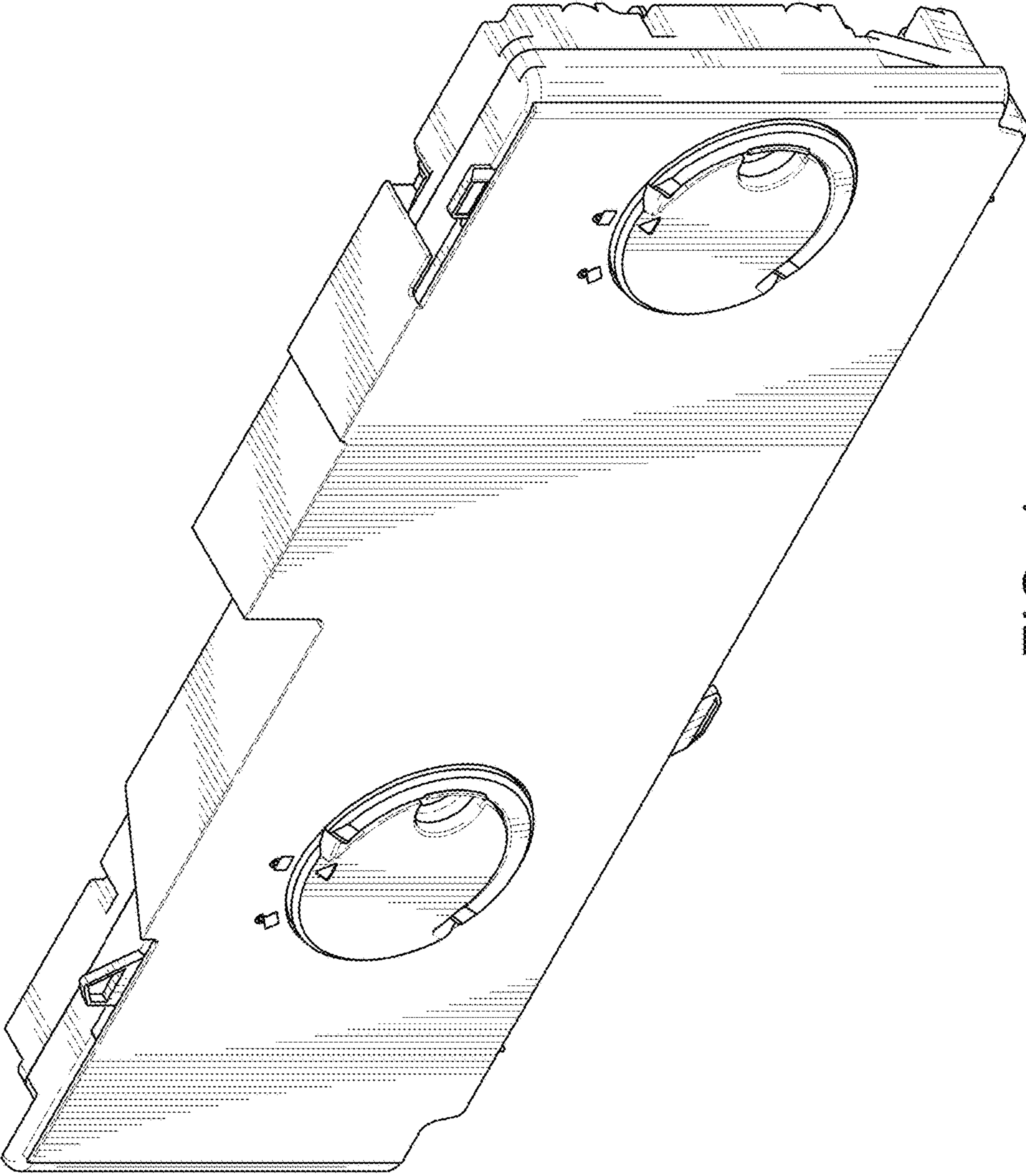


FIG. 1

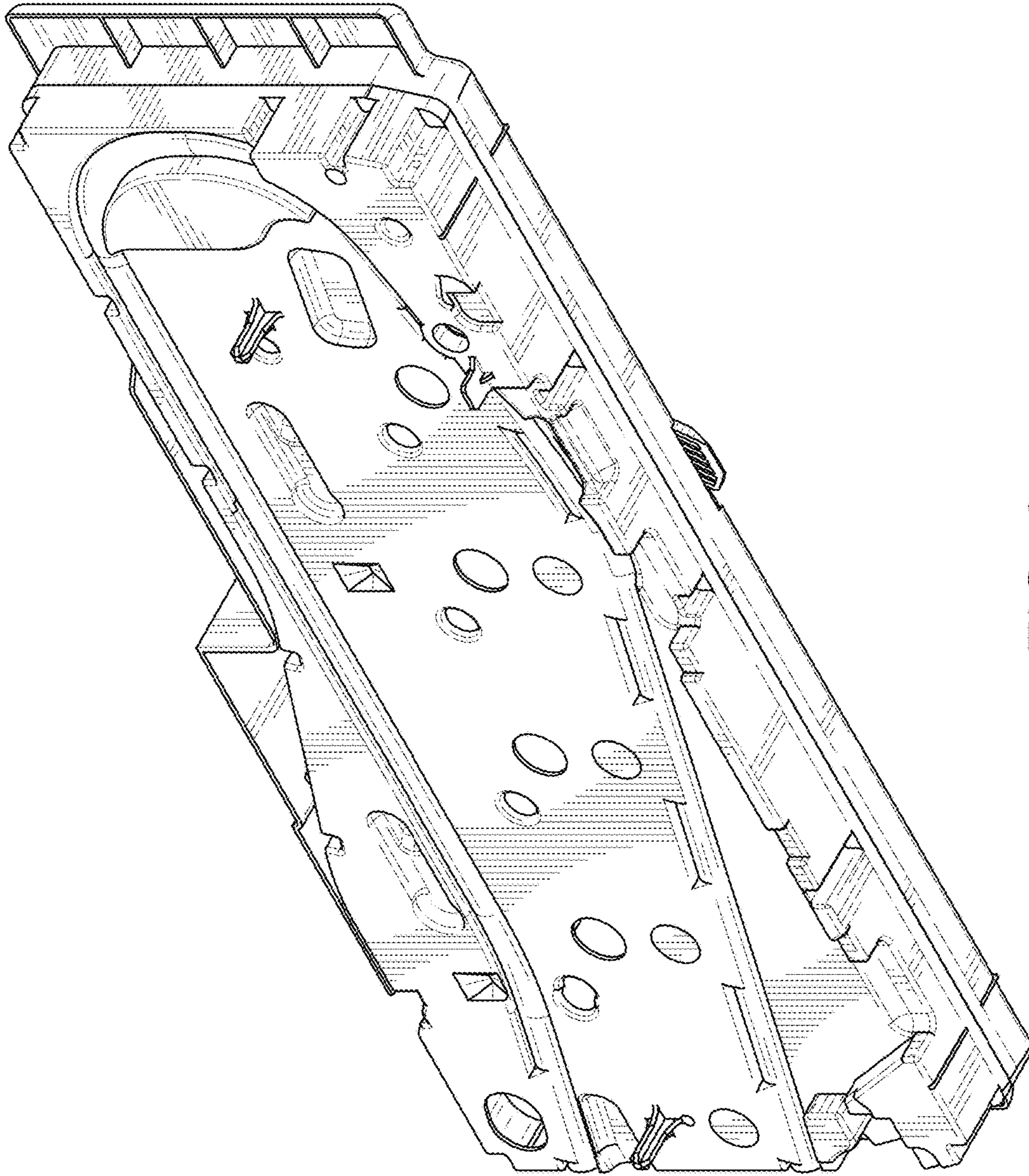


FIG. 2

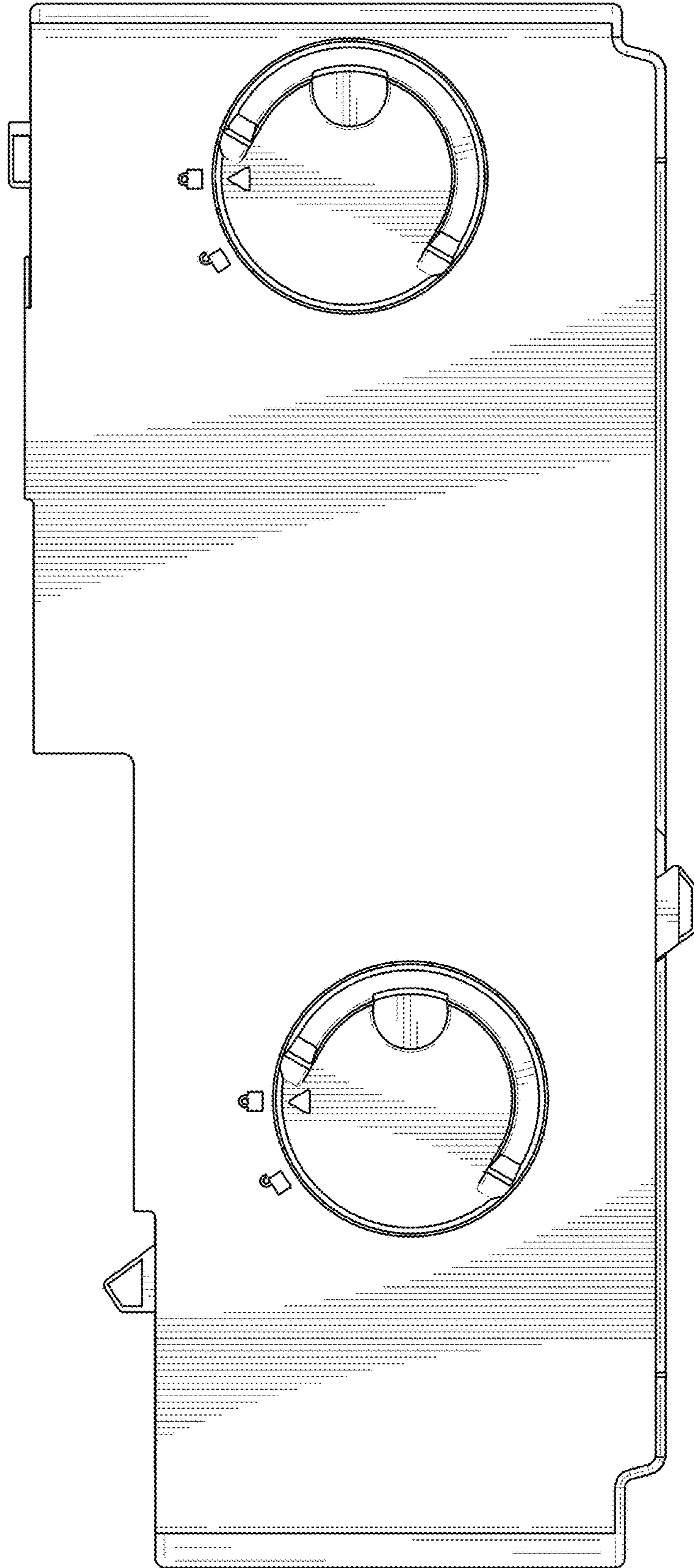


FIG. 3

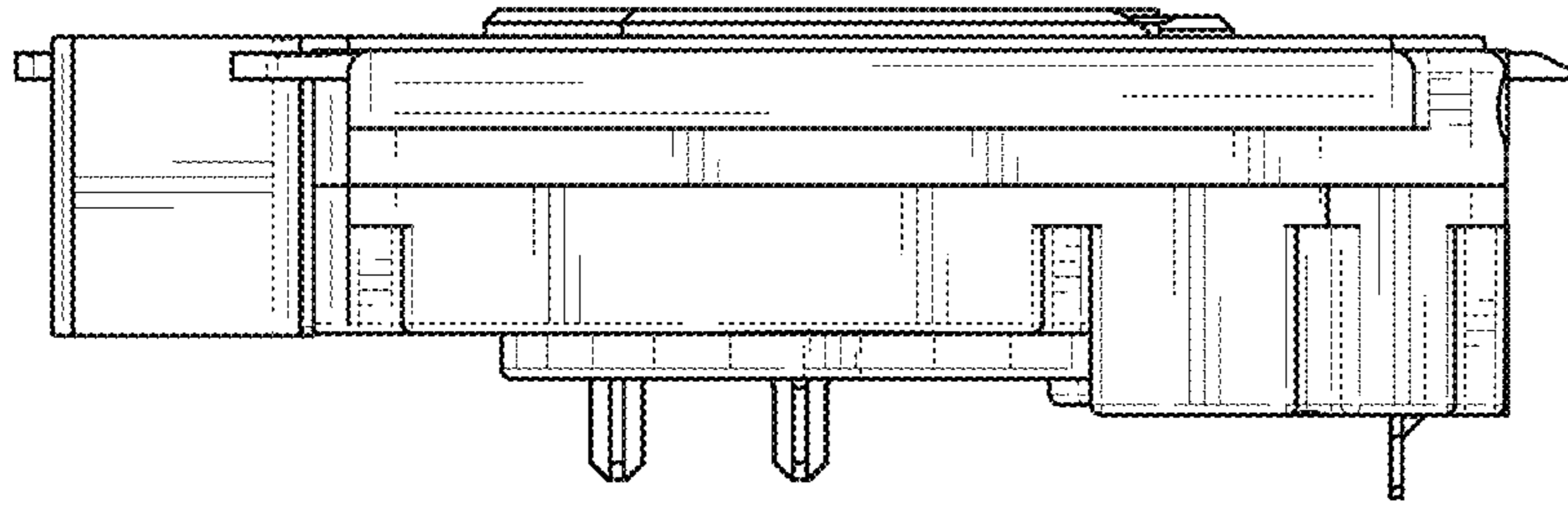


FIG. 6

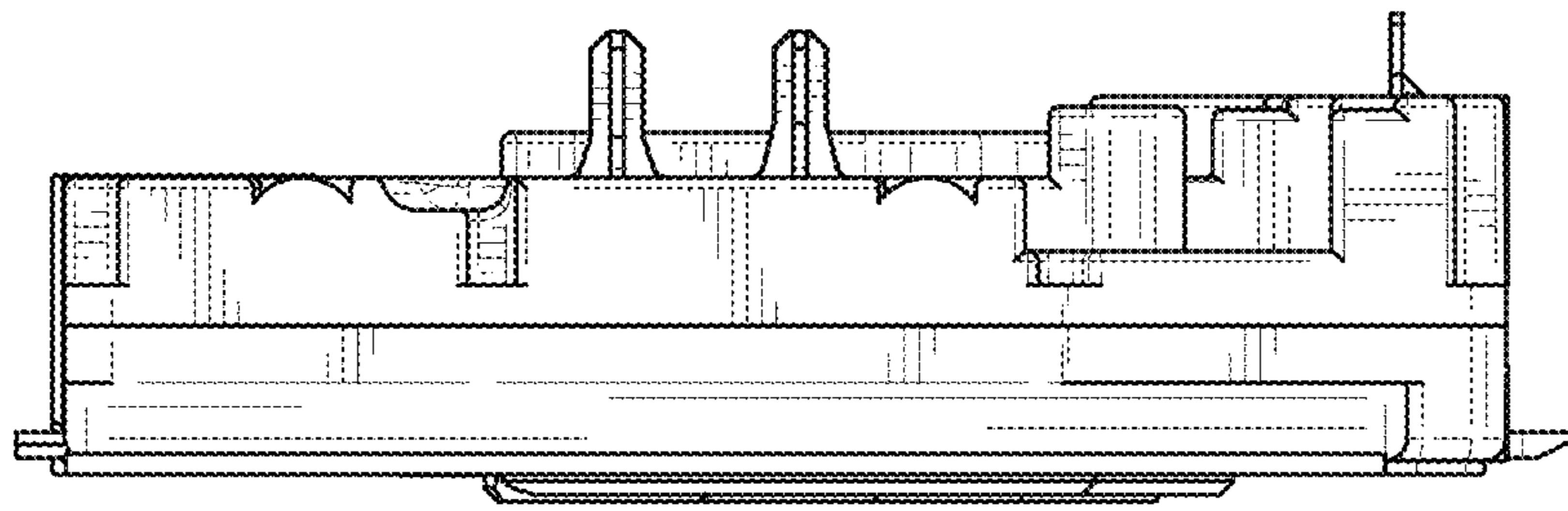


FIG. 4

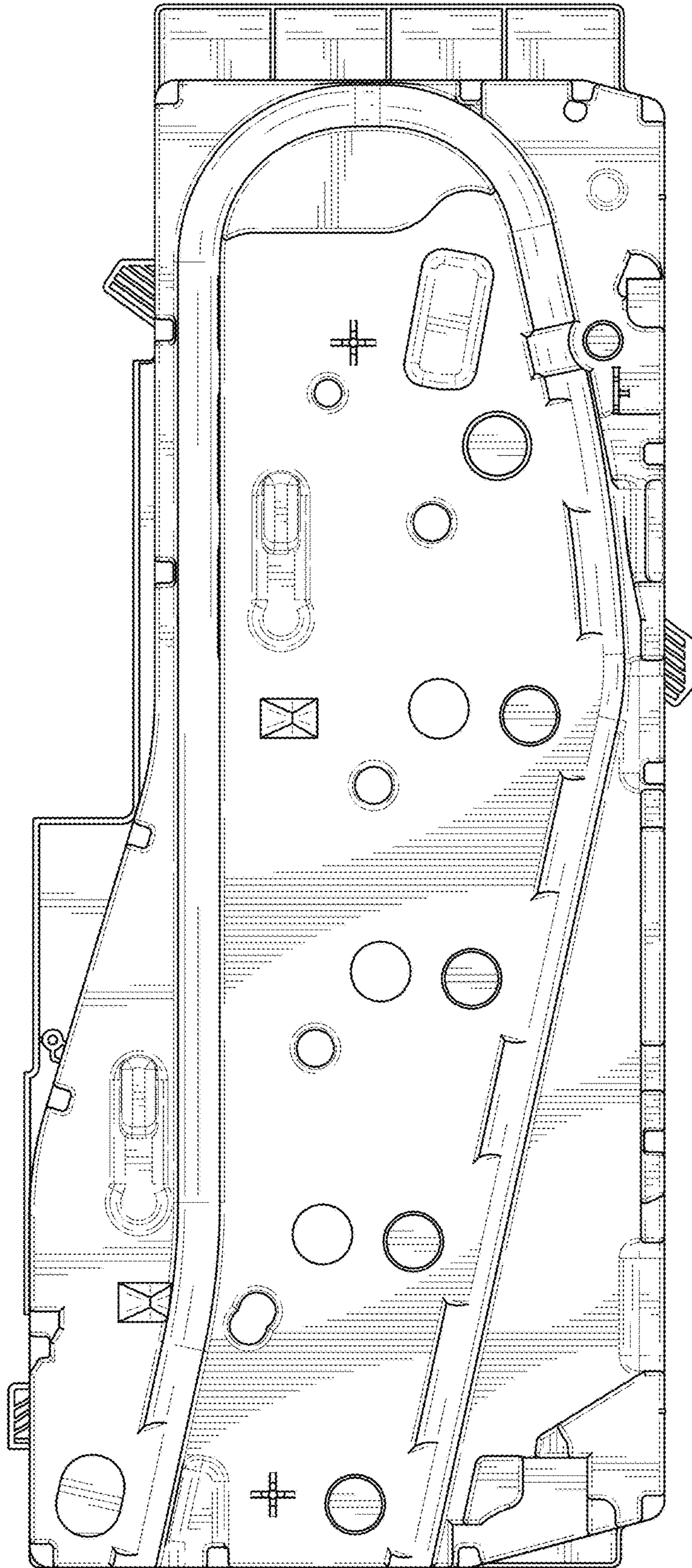


FIG. 5

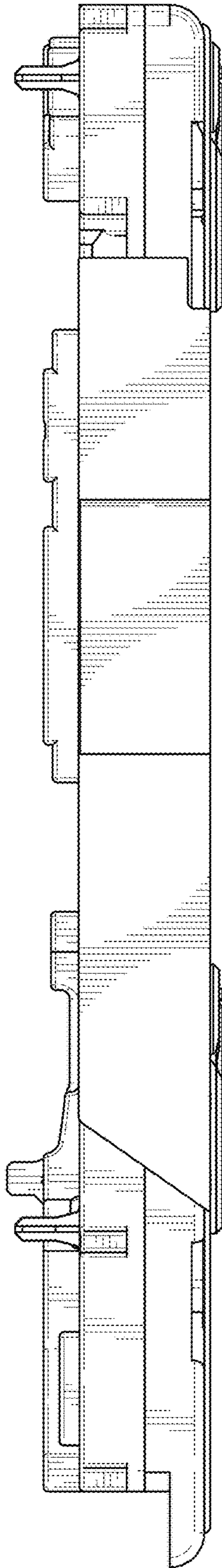


FIG. 7

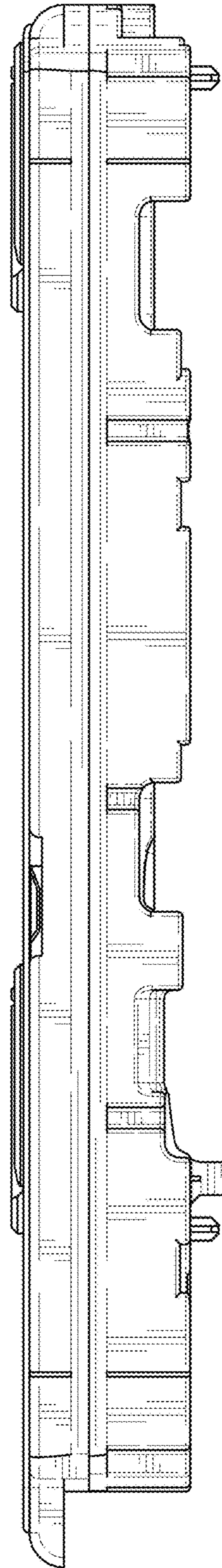


FIG. 8