



US00D785087S

(12) **United States Design Patent**  
**Hayashi et al.**

(10) **Patent No.:** **US D785,087 S**  
(45) **Date of Patent:** **\*\* Apr. 25, 2017**

(54) **INK TANK FOR PRINTER**  
(71) Applicant: **Canon Kabushiki Kaisha**, Ohta-ku,  
Tokyo (JP)  
(72) Inventors: **Hiroki Hayashi**, Kawasaki (JP);  
**Tetsuya Ohashi**, Matsudo (JP); **Takeho**  
**Miyashita**, Yokohama (JP); **Manabu**  
**Ohara**, Kawasaki (JP); **Yasunori**  
**Senshiki**, Tachikawa (JP)  
(73) Assignee: **Canon Kabushiki Kaisha**, Tokyo (JP)

D534,948 S \* 1/2007 Steinmetz ..... 347/86  
D540,376 S \* 4/2007 Hwang ..... D18/56  
D540,378 S \* 4/2007 Steinmetz ..... 347/86  
D541,850 S \* 5/2007 Steinmetz ..... D18/56  
D543,236 S \* 5/2007 Hattori ..... 347/86  
D549,279 S \* 8/2007 Steinmetz ..... 347/86  
D611,531 S 3/2010 Hatasa et al. .... D18/56  
D611,532 S 3/2010 Nanjo et al. .... D18/56  
D624,960 S 10/2010 Inoue et al. .... D18/56  
D626,173 S 10/2010 Inoue et al. .... D18/56  
D634,362 S \* 3/2011 Inoue ..... D18/56  
D656,183 S 3/2012 Nanjo et al. .... D18/56  
D674,436 S 1/2013 Takada et al. .... D18/56

(Continued)

(\*\*) Term: **15 Years**

(21) Appl. No.: **29/536,246**

(22) Filed: **Aug. 14, 2015**

(30) **Foreign Application Priority Data**

Feb. 23, 2015 (JP) ..... 2015-003624

(51) **LOC (10) Cl.** ..... **18-02**

(52) **U.S. Cl.**  
USPC ..... **D18/56**

(58) **Field of Classification Search**  
USPC ..... D18/12, 40, 43, 56; D20/11, 19, 22, 27,  
D20/28  
CPC ..... B41J 3/4075; B41J 15/044; B41J 32/00;  
B31D 1/027; G06F 17/30725; G06Q  
20/3274; G06Q 20/3276; B14J 2/17;  
B14J 2/1721; B14J 2/17503; B14J  
2/175013; B14J 2/1752; B14J 2/17523;  
B14J 2/17553; B14J 2/17556; B14J  
2/185; B14J 29/377

See application file for complete search history.

(56) **References Cited**

**U.S. PATENT DOCUMENTS**

D490,102 S \* 5/2004 Umeyama ..... 347/86  
D491,221 S \* 6/2004 Umeyama ..... D18/56  
D529,953 S \* 10/2006 Benyou ..... D18/56

**OTHER PUBLICATIONS**

U.S. Appl. No. 29/504,245, filed Oct. 3, 2014.

(Continued)

*Primary Examiner* — Cathron Brooks

*Assistant Examiner* — Andrew Nemeth

(74) *Attorney, Agent, or Firm* — Fitzpatrick, Cella,  
Harper & Scinto

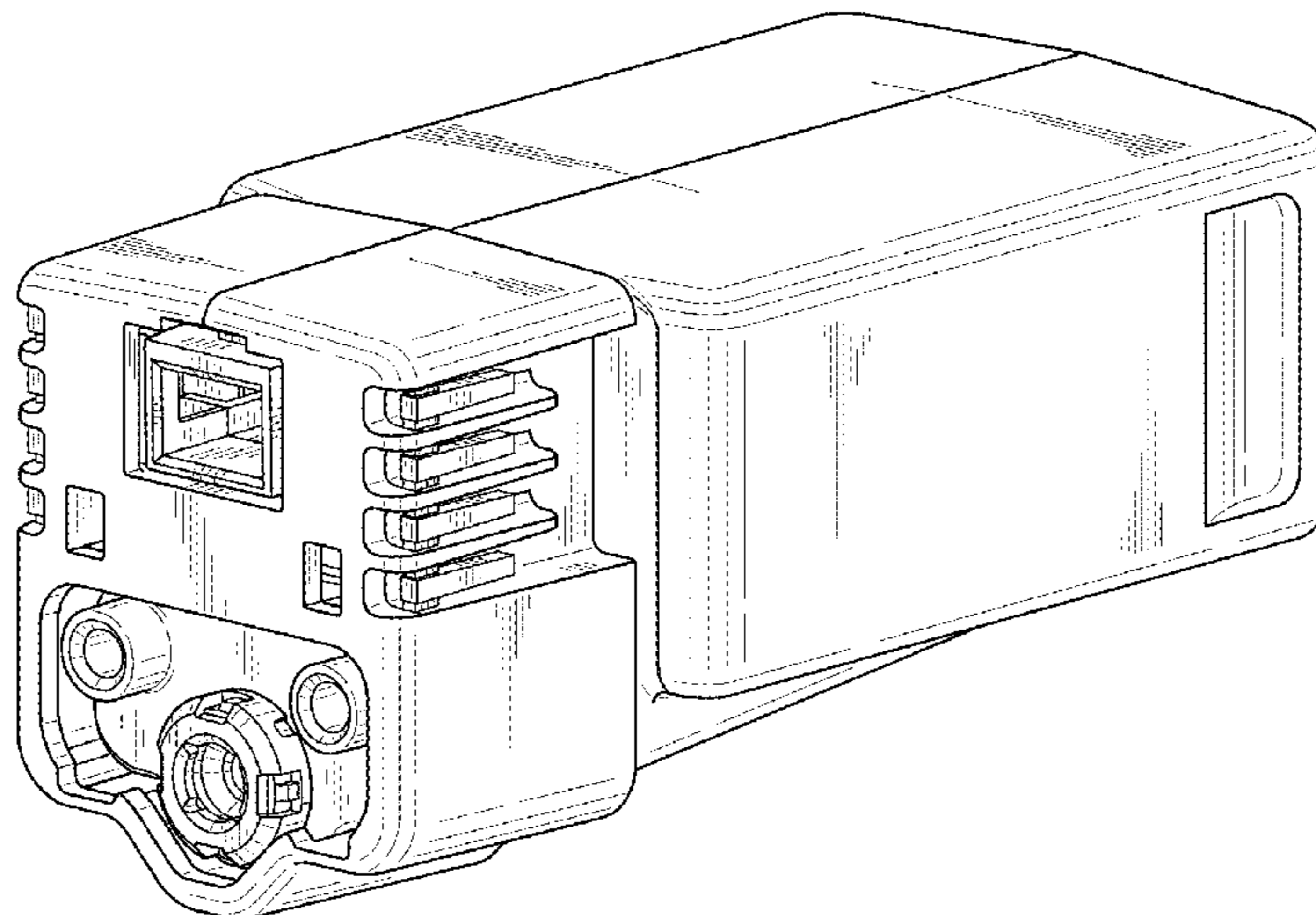
(57) **CLAIM**

The ornamental design for an ink tank for printer, as shown  
and described.

**DESCRIPTION**

FIG. 1 is a front view of an ink tank for printer showing our  
new design;  
FIG. 2 is a rear view thereof;  
FIG. 3 is a top plan view thereof;  
FIG. 4 is a bottom plan view thereof;  
FIG. 5 is a left side view thereof;  
FIG. 6 is a right side view thereof;  
FIG. 7 is a bottom, right perspective view thereof;  
FIG. 8 is a top, left perspective view thereof;  
FIG. 9 is a bottom, left perspective view thereof; and,  
FIG. 10 is a top, right perspective view thereof.

**1 Claim, 5 Drawing Sheets**



(56)

**References Cited**

U.S. PATENT DOCUMENTS

D678,405 S *	3/2013	Okuda .....	D18/56
D696,718 S	12/2013	Murakami et al. ....	D18/56
D696,719 S	12/2013	Murakami et al. ....	D18/56
D696,720 S	12/2013	Hayashi et al. ....	D18/56
D696,721 S	12/2013	Kitagawa et al. ....	D18/59
2004/0021751 A1 *	2/2004	Steinmetz .....	B41J 2/17509 347/86
2004/0183873 A1 *	9/2004	Steinmetz .....	B41J 2/175 347/86

OTHER PUBLICATIONS

U.S. Appl. No. 29/504,239, filed Oct. 3, 2014.  
U.S. Appl. No. 29/504,234, filed Oct. 3, 2014.  
U.S. Appl. No. 29/504,237, filed Oct. 3, 2014.

\* cited by examiner

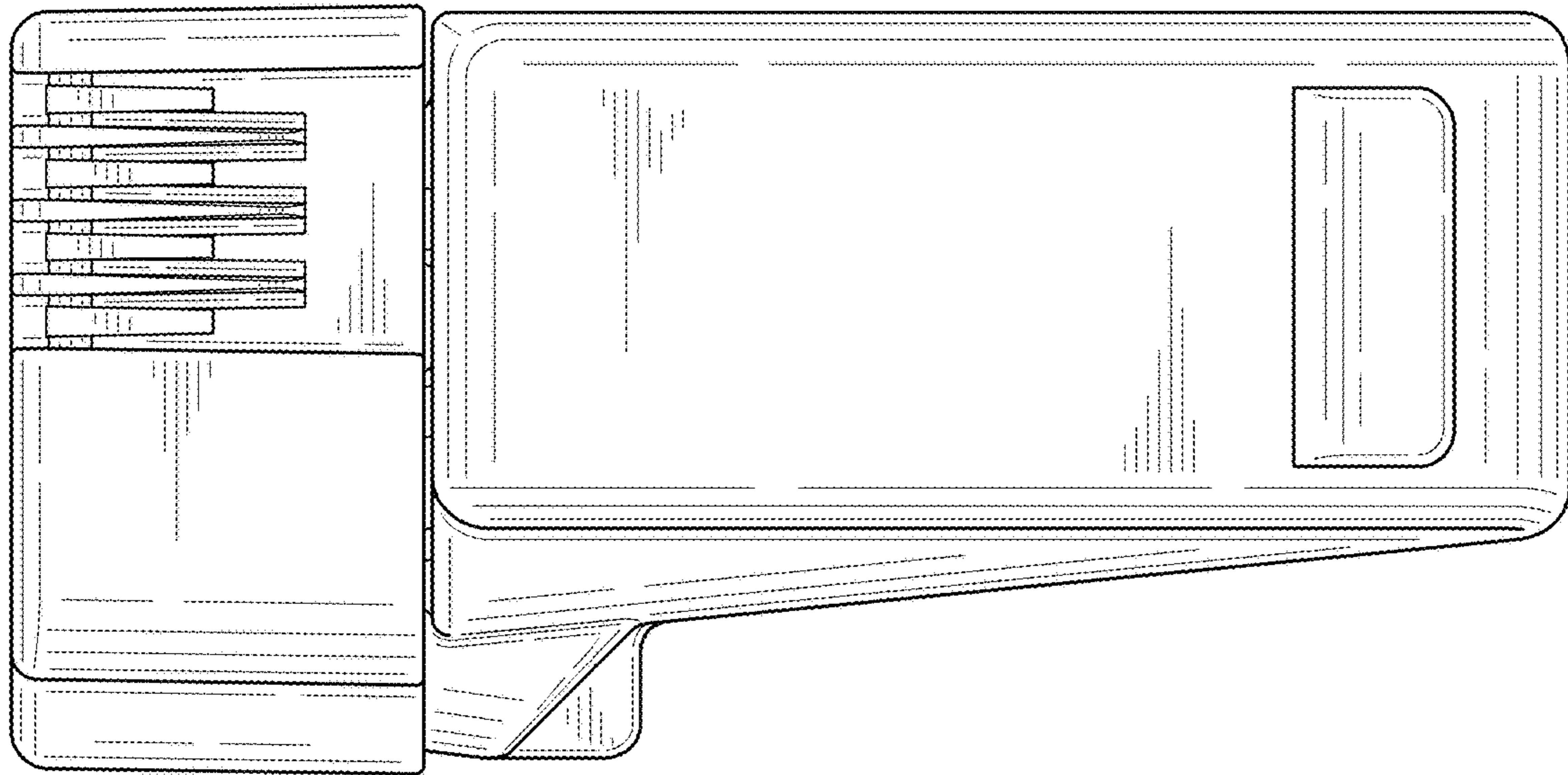


FIG. 1

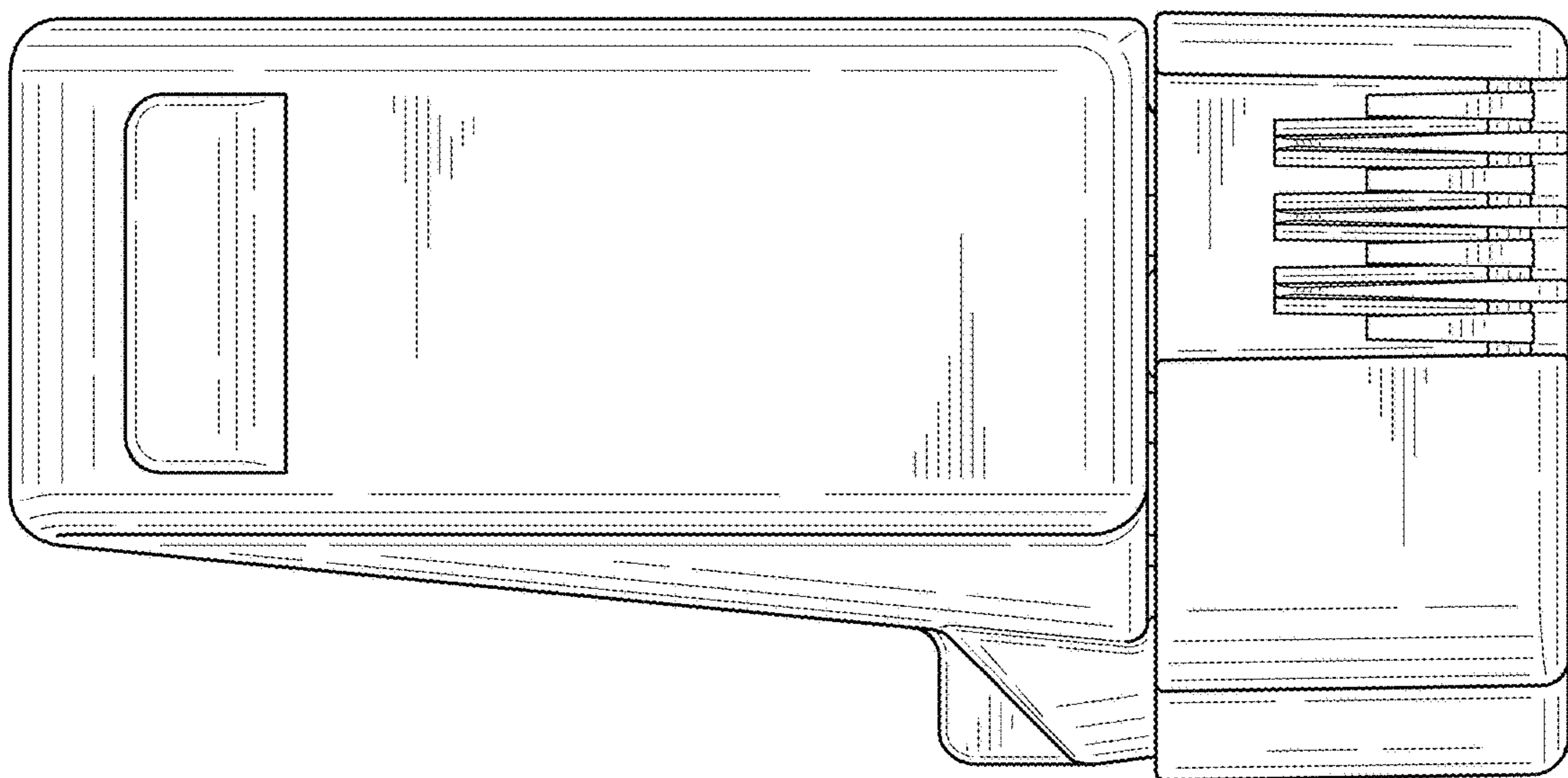


FIG. 2

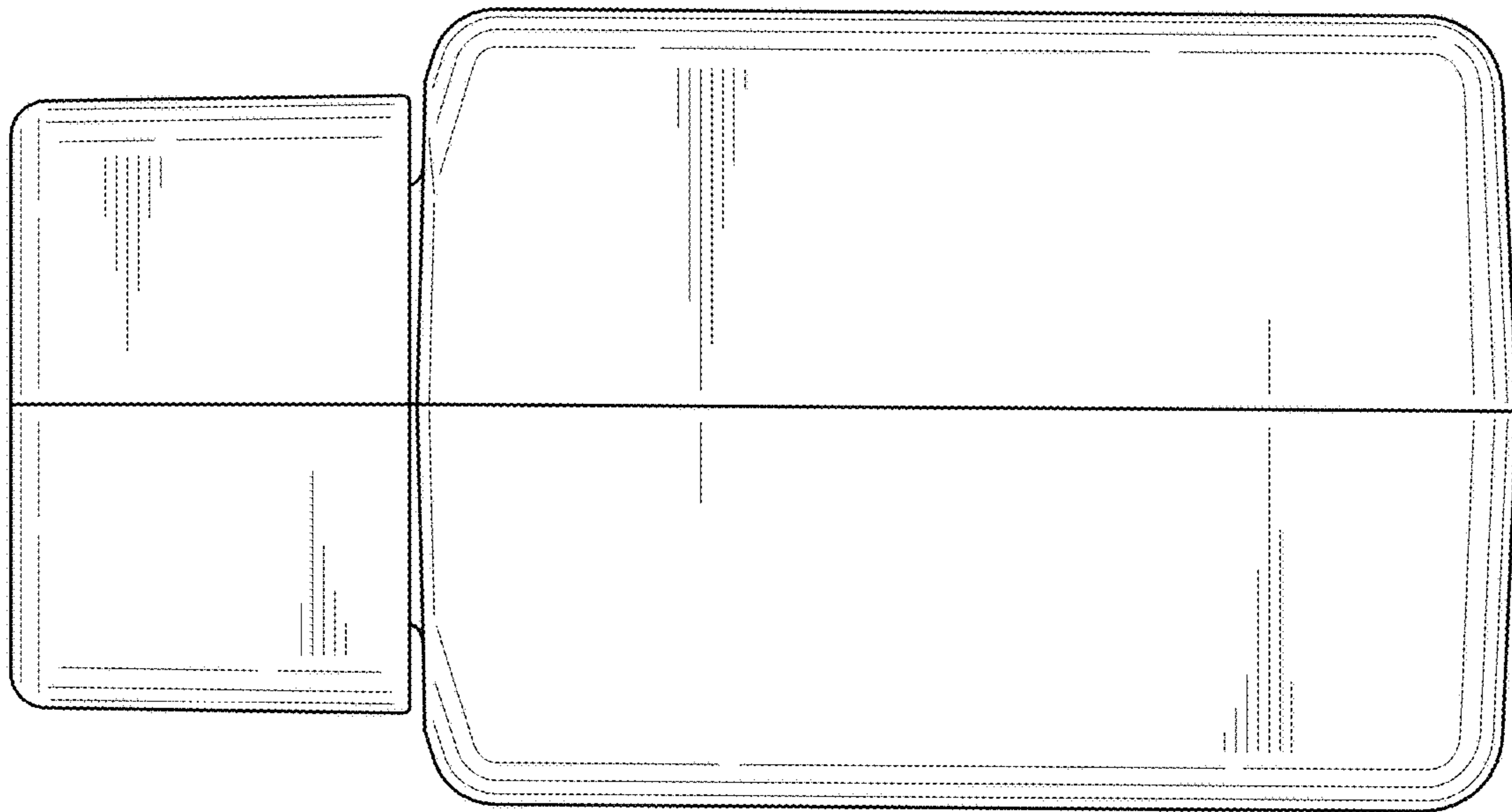


FIG. 3

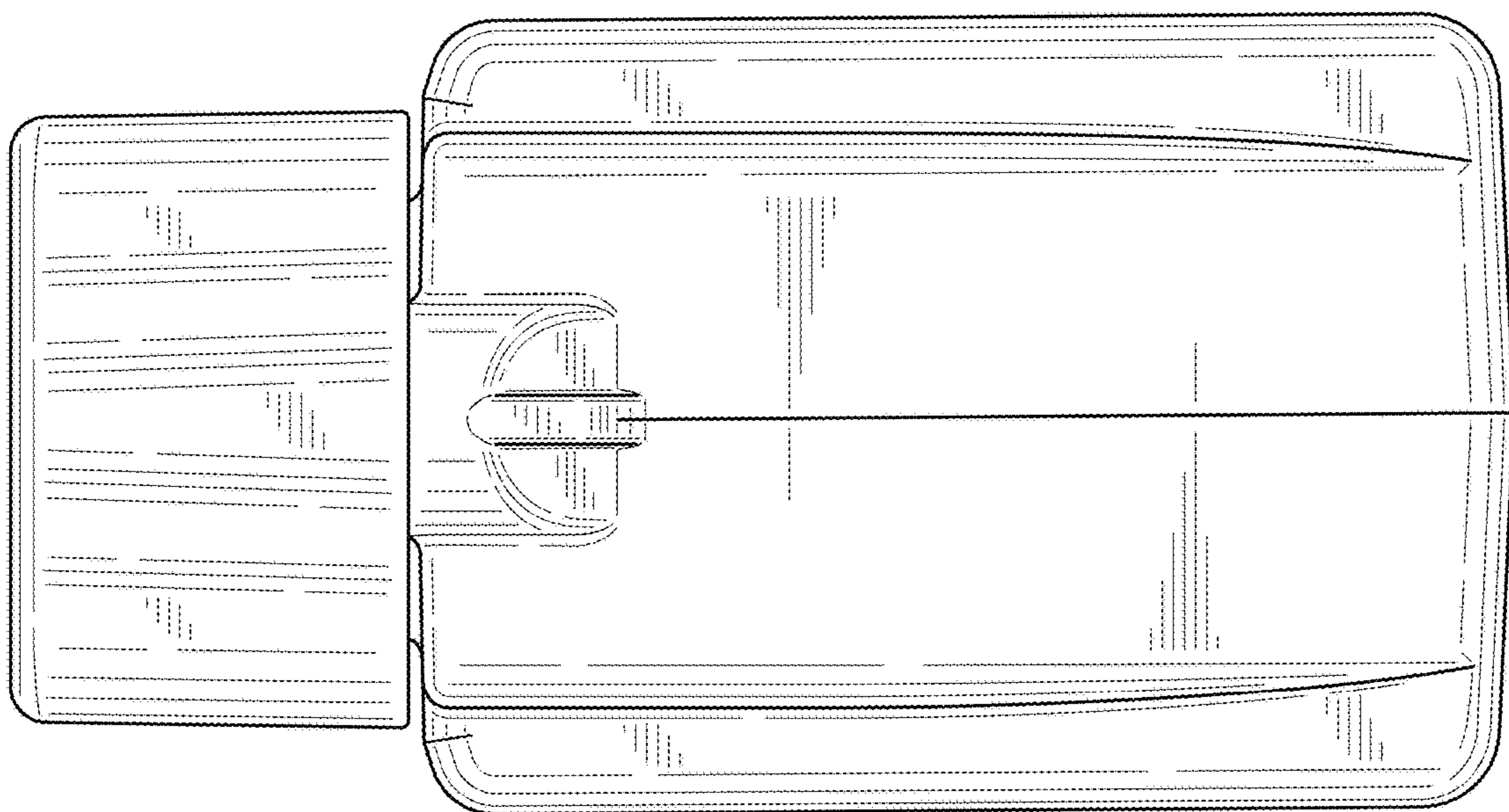
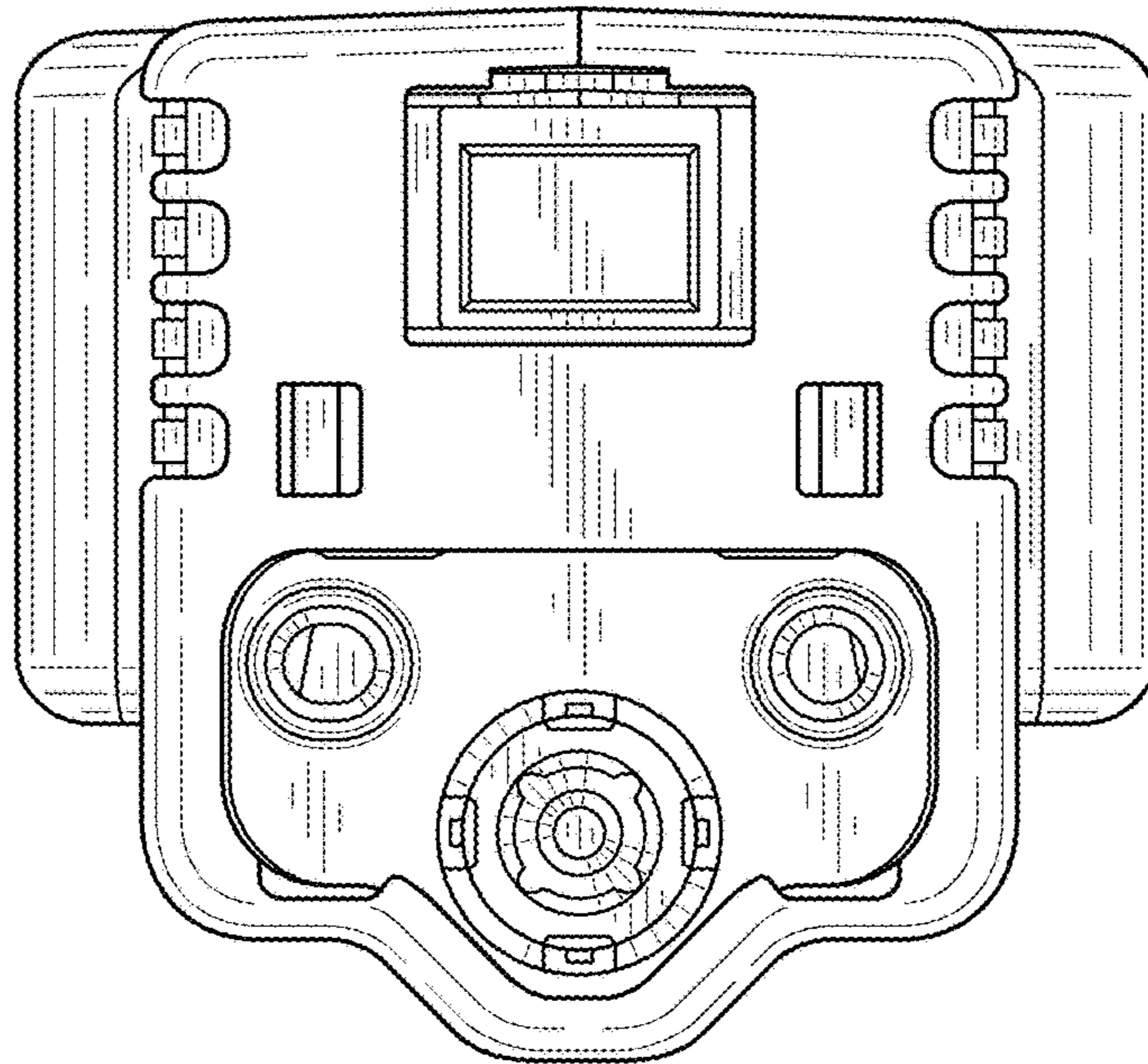
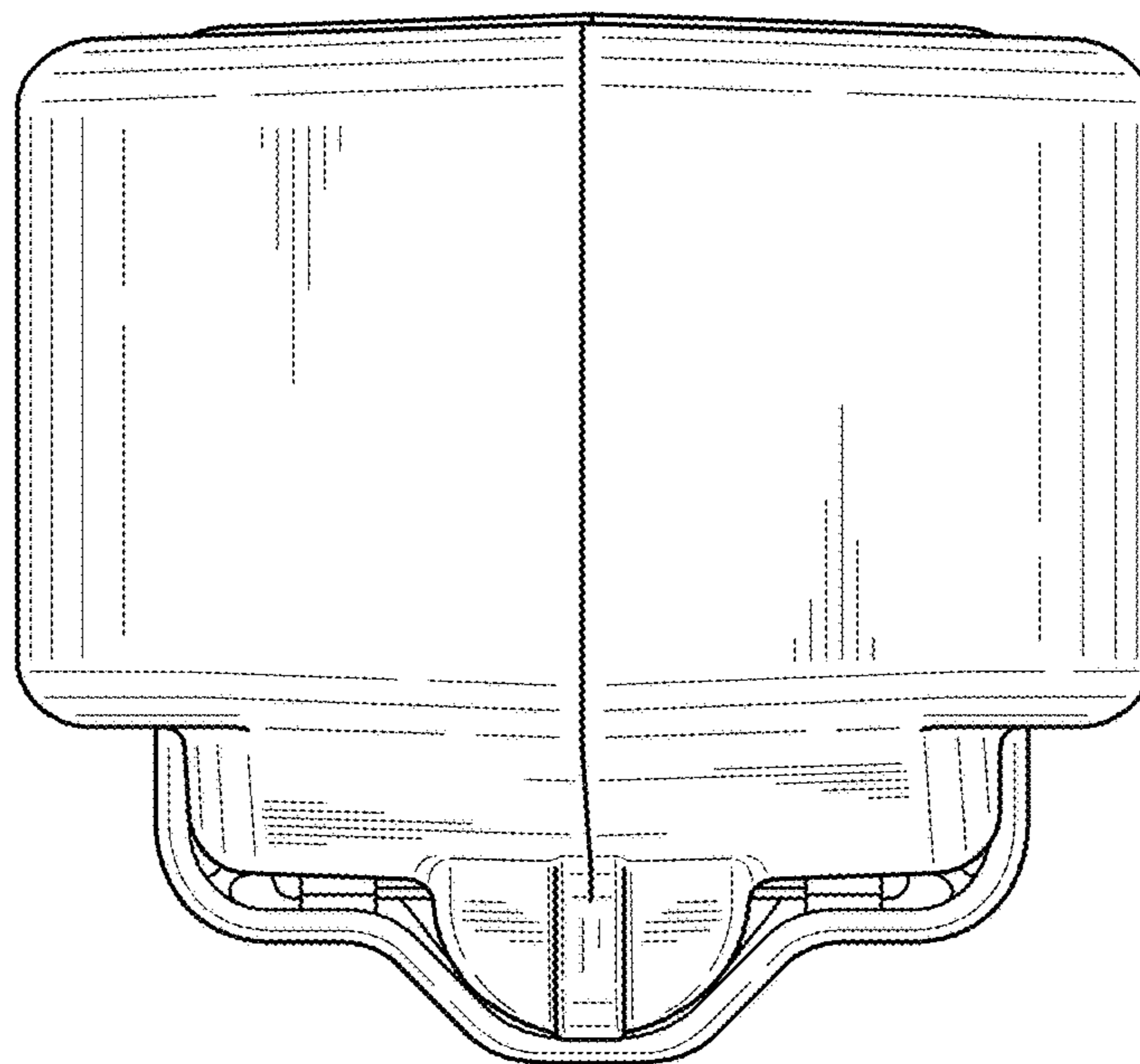


FIG. 4



*FIG. 5*



*FIG. 6*

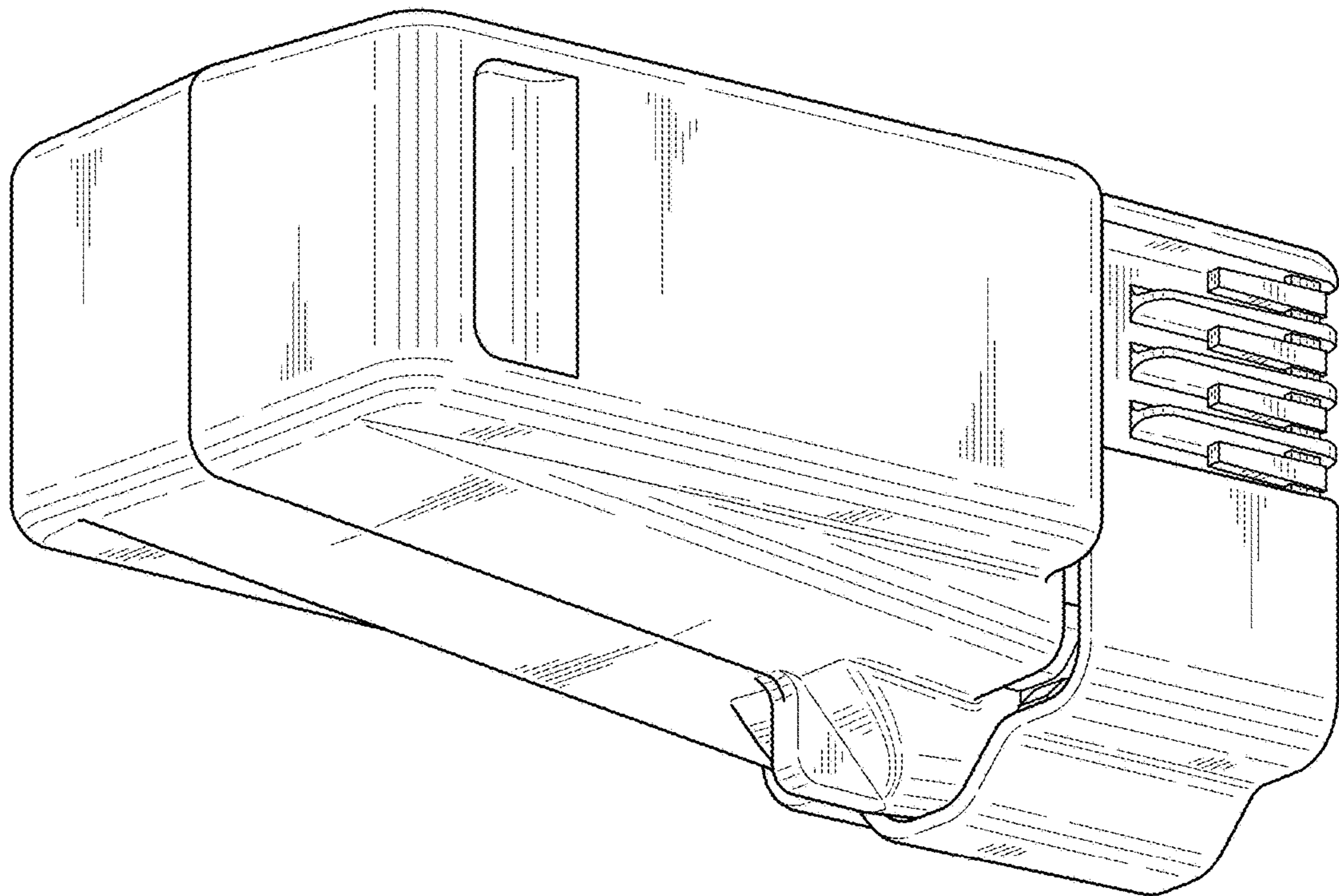


FIG. 7

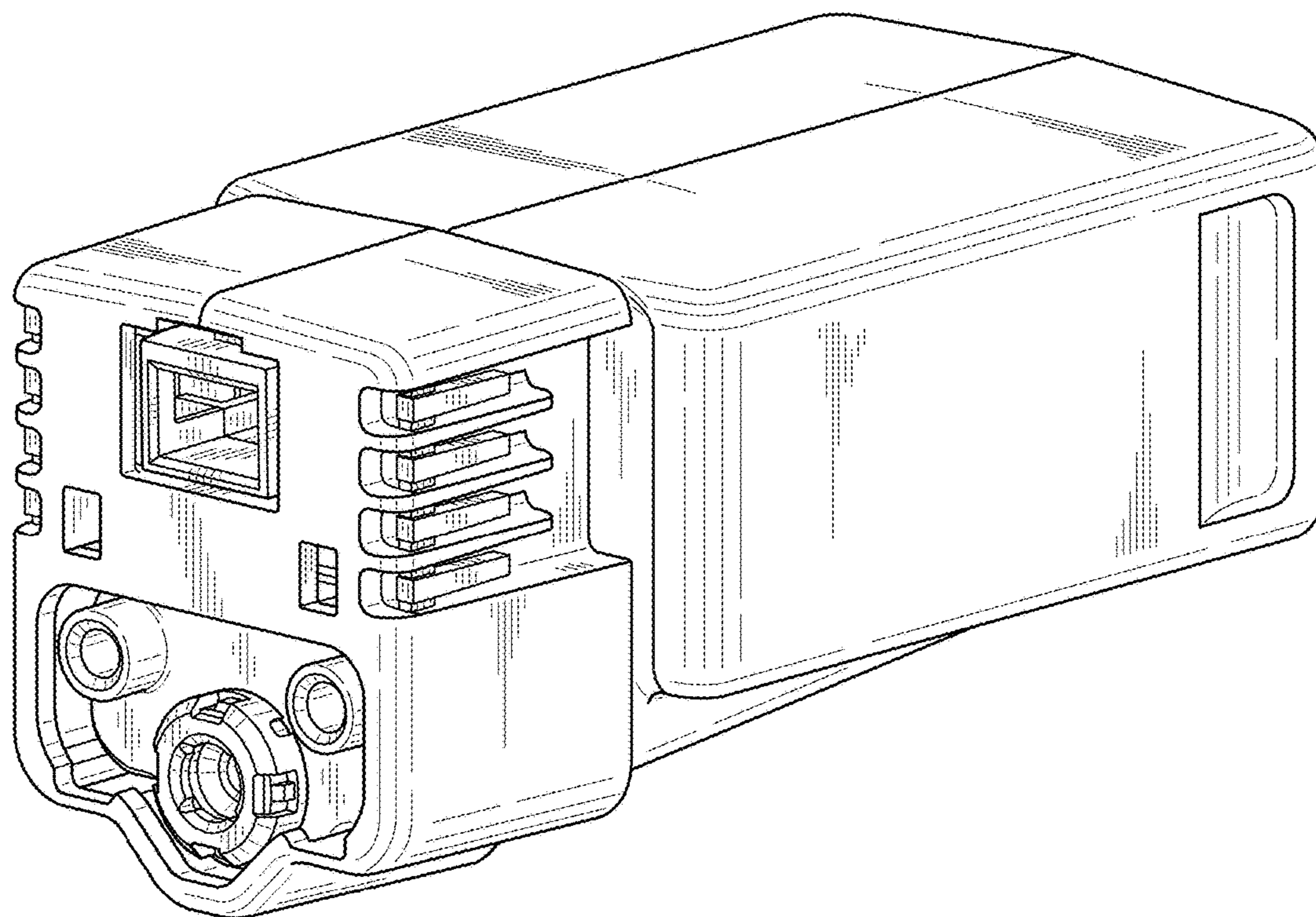


FIG. 8

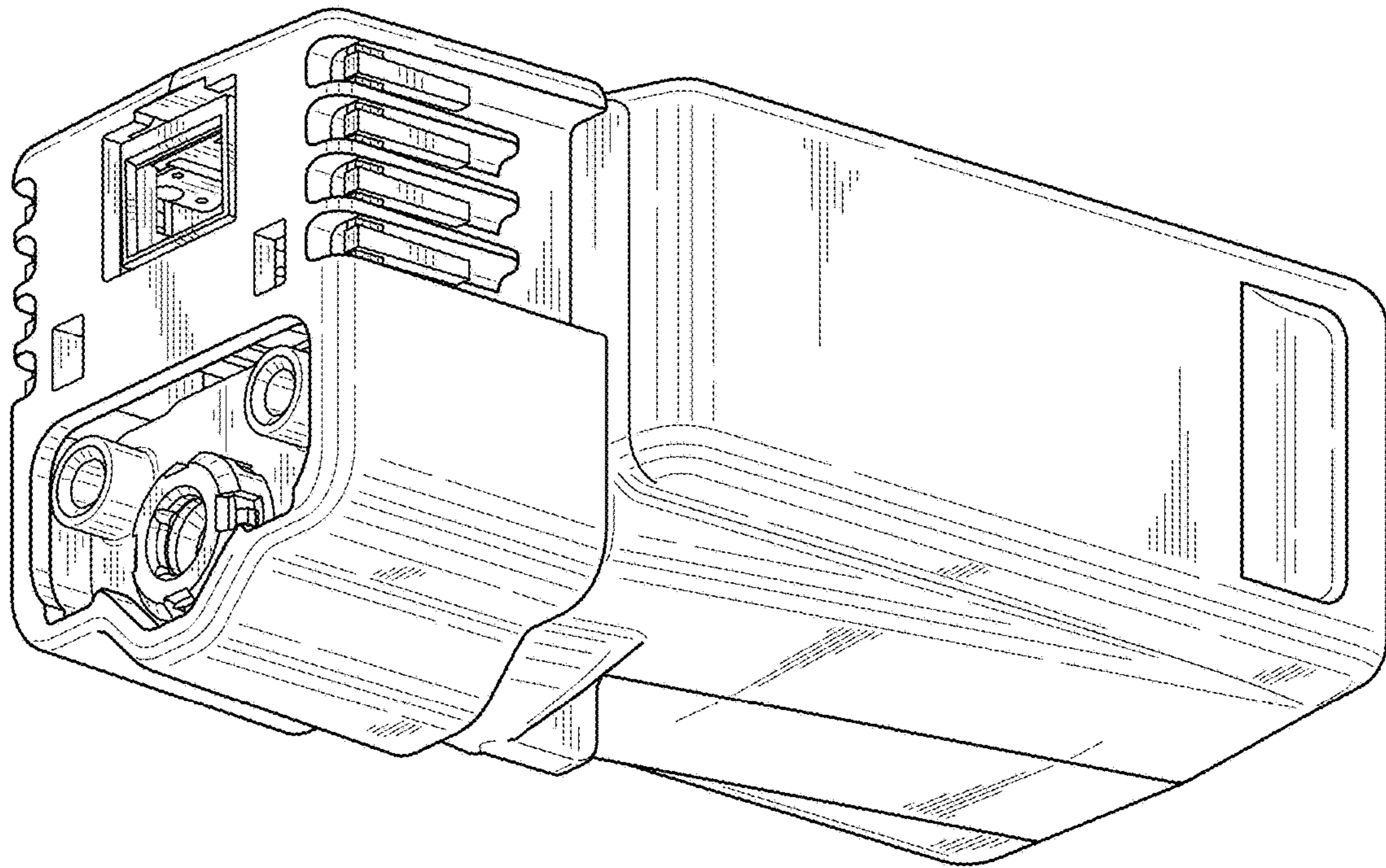


FIG. 9

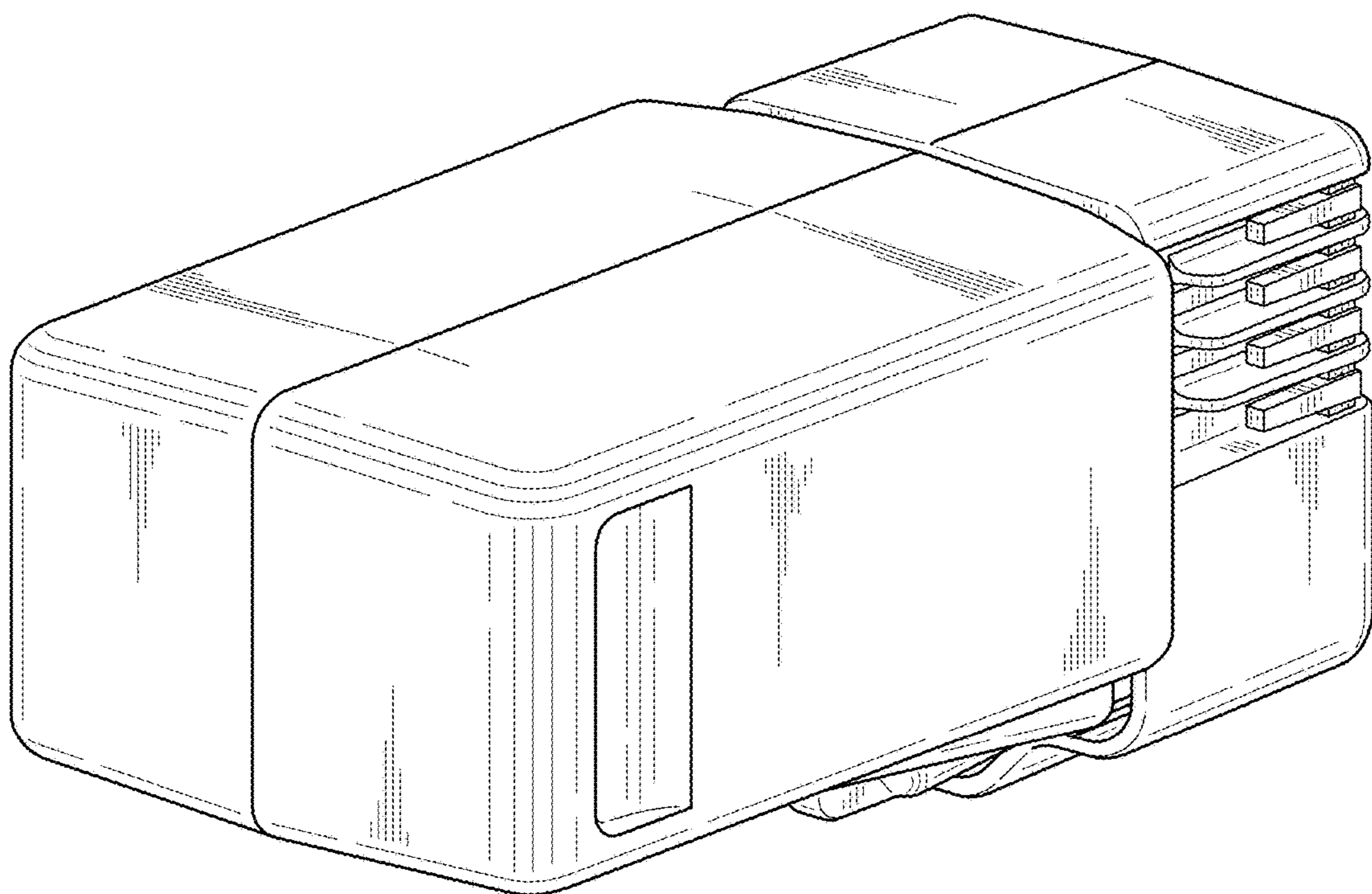


FIG. 10