



US00D785086S

(12) **United States Design Patent**
Kim et al.

(10) **Patent No.:** **US D785,086 S**
(45) **Date of Patent:** **** Apr. 25, 2017**

- (54) **PRINTER**
- (71) Applicant: **Samsung Electronics Co., Ltd.**,
Suwon-si, Gyeonggi-do (KR)
- (72) Inventors: **Ha Kyung Kim**, Seoul (KR); **Jong Kyu Kim**, Yongin-si (KR); **Seung Wook Jeong**, Seoul (KR)
- (73) Assignee: **S-PRINTING SOLUTION CO., LTD.**,
Gyeonggi-Do (KR)
- (**) Term: **15 Years**
- (21) Appl. No.: **29/533,930**

D527,045 S *	8/2006	Lim	D18/50
D549,772 S *	8/2007	Mase	D18/55
D552,170 S *	10/2007	Kim	D18/55
D562,886 S *	2/2008	Egami	D18/55
D576,202 S *	9/2008	Falk	D18/55
D601,186 S *	9/2009	Kim	D18/55
D607,928 S *	1/2010	Kim	D18/55
D617,829 S *	6/2010	Suzuki	D18/55
D633,557 S *	3/2011	Egami	D18/55
D639,847 S *	6/2011	Nakata	D18/50
D653,704 S *	2/2012	Seki	D18/55
D693,873 S *	11/2013	Fukasawa	D18/55
D696,343 S *	12/2013	Kim	D18/55
D696,717 S *	12/2013	Kim	D18/55
D697,965 S *	1/2014	Fukasawa	D18/55
D699,784 S *	2/2014	Penke	D18/55
D722,339 S *	2/2015	Nakagawa	D18/55

(Continued)

- (22) Filed: **Jul. 23, 2015**
- (30) **Foreign Application Priority Data**

Feb. 12, 2015 (KR) 30-2015-0007752

- (51) **LOC (10) Cl.** **18-02**
- (52) **U.S. Cl.**
USPC **D18/56**

- (58) **Field of Classification Search**
USPC D18/12, 40, 43, 56, 55; D20/11, 19, 22,
D20/27, 28
CPC B41J 3/4075; B41J 15/044; B41J 32/00;
B31D 1/027; G06F 17/30725; G06Q
20/3274; G06Q 20/3276; B14J 2/17;
B14J 2/1721; B14J 2/17503; B14J
2/175013; B14J 2/1752; B14J 2/17523;
B14J 2/17553; B14J 2/17556; B14J
2/185; B14J 29/377

See application file for complete search history.

- (56) **References Cited**
U.S. PATENT DOCUMENTS
D413,141 S * 8/1999 Matsumoto D18/55
6,370,341 B1 * 4/2002 Haines B41J 3/46
399/24

Primary Examiner — Cathron Brooks
Assistant Examiner — Andrew Nemeth
(74) *Attorney, Agent, or Firm* — Cantor Colburn LLP

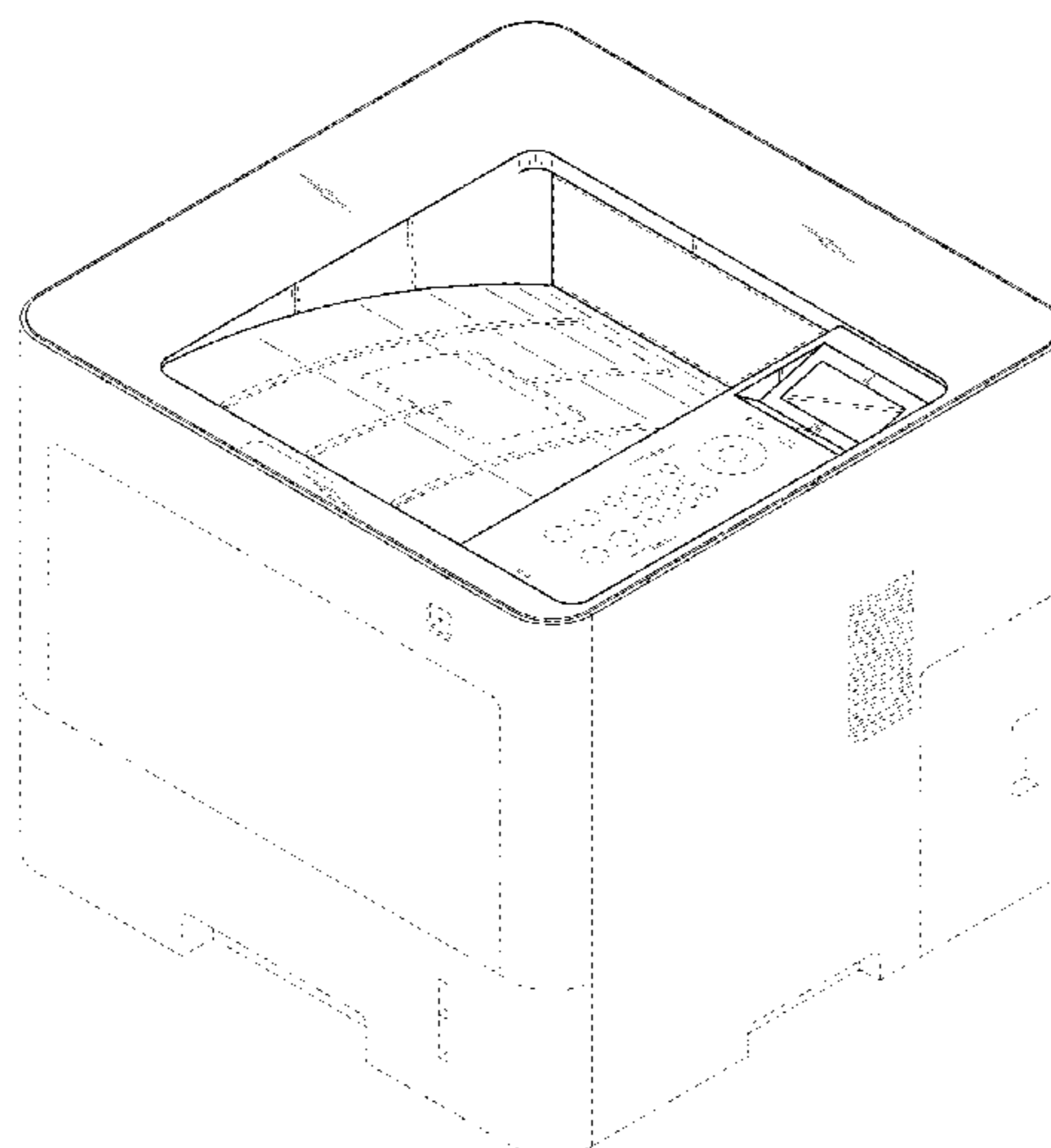
(57) **CLAIM**

We claim the ornamental design for a printer, as shown and described.

DESCRIPTION

FIG. 1 is a front perspective view of a printer showing our new design;
FIG. 2 is a front view thereof;
FIG. 3 is a rear view thereof;
FIG. 4 is a left-side view thereof;
FIG. 5 is a right-side view thereof;
FIG. 6 is a top view thereof; and,
FIG. 7 is a bottom view thereof.
The broken lines illustrating portions of the printer are for environmental purposes only and form no part of the claimed design.
The front side of the printer coincides with the bottom side of the drawing and the rear side of the printer coincides with the top side of the drawing in FIG. 7.

1 Claim, 5 Drawing Sheets



(56)

References Cited

U.S. PATENT DOCUMENTS

D723,616	S *	3/2015	Nakagawa	D18/55
D724,141	S *	3/2015	Kim	D18/55
D725,184	S *	3/2015	Kim	D18/55
D725,185	S *	3/2015	Kim	D18/55
D733,217	S *	6/2015	Nishimura	D18/55
D750,164	S *	2/2016	So	D18/50
D765,772	S *	9/2016	Clark, III	D18/55
D771,183	S *	11/2016	Kim	D18/55
D772,977	S *	11/2016	Kim	D18/55
2003/0202210	A1 *	10/2003	Anderson	G06K 15/02 358/1.18
2008/0014007	A1 *	1/2008	Ukai	B41J 29/02 400/691
2012/0134732	A1 *	5/2012	Okano	B41J 3/60 400/611
2014/0205314	A1 *	7/2014	Chang	G03G 21/1633 399/110
2014/0205316	A1 *	7/2014	Lee	G03G 21/1839 399/110
2014/0205321	A1 *	7/2014	Jang	G03G 21/1853 399/119

* cited by examiner

FIG.1

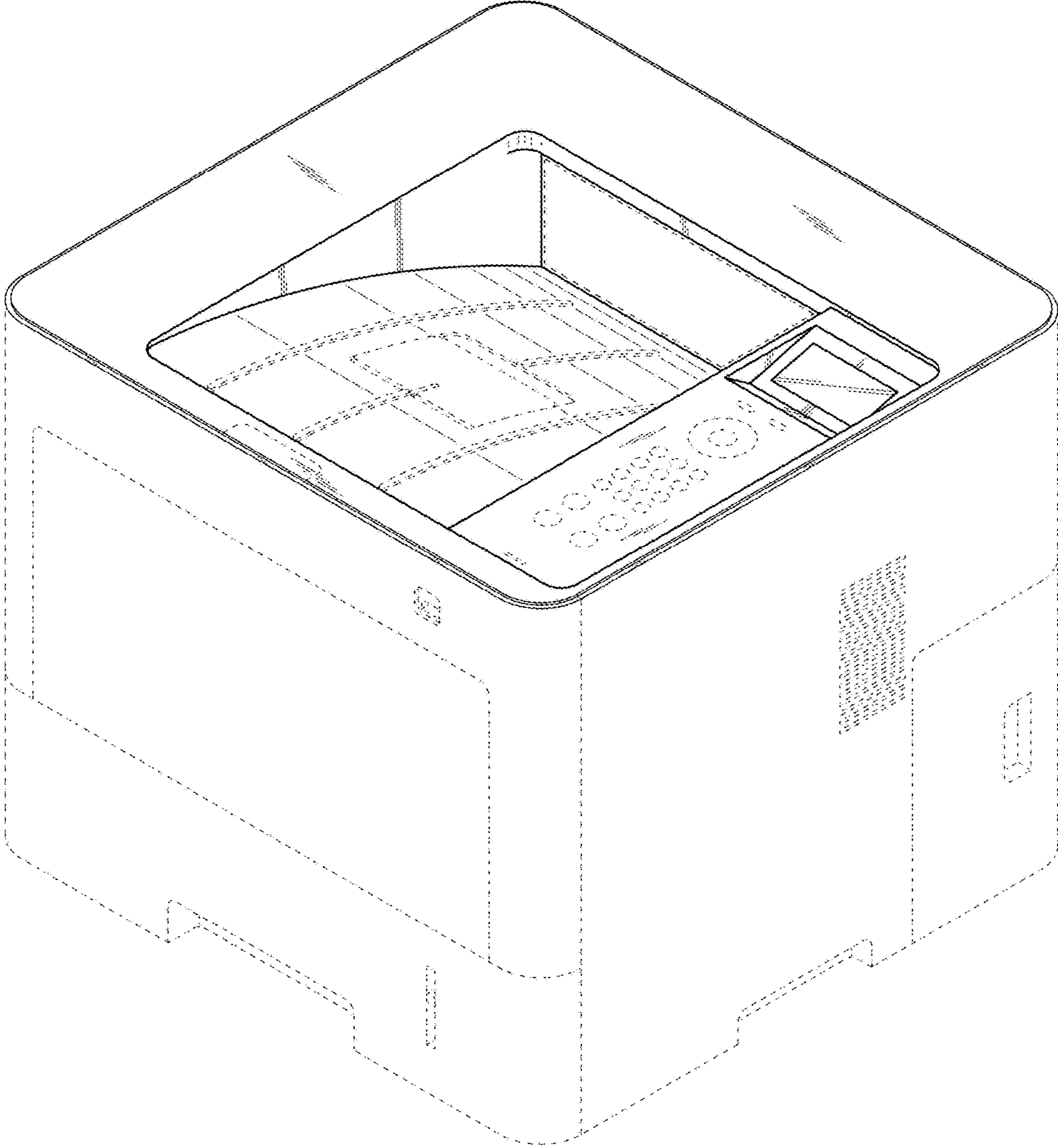


FIG.2

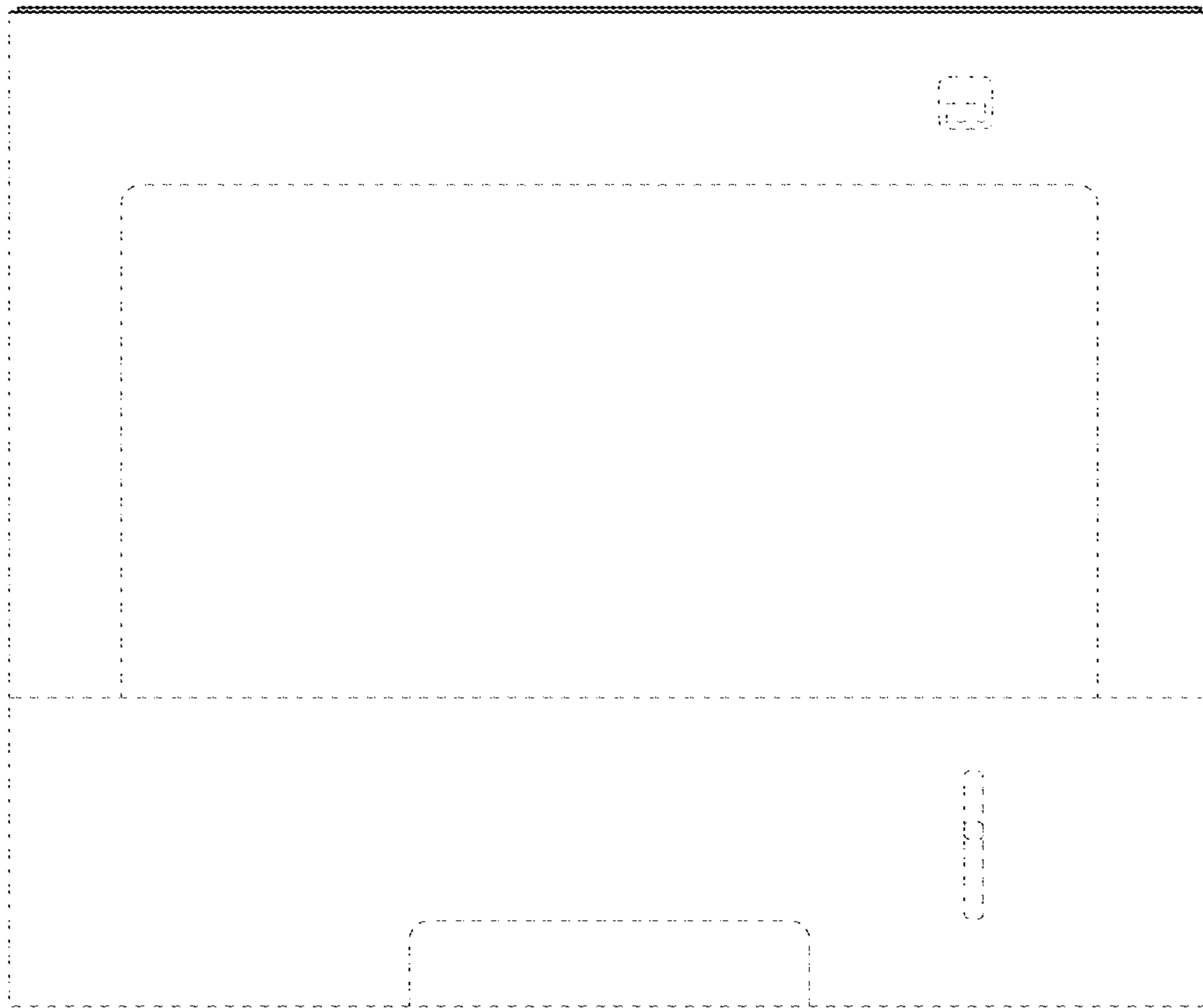


FIG.3

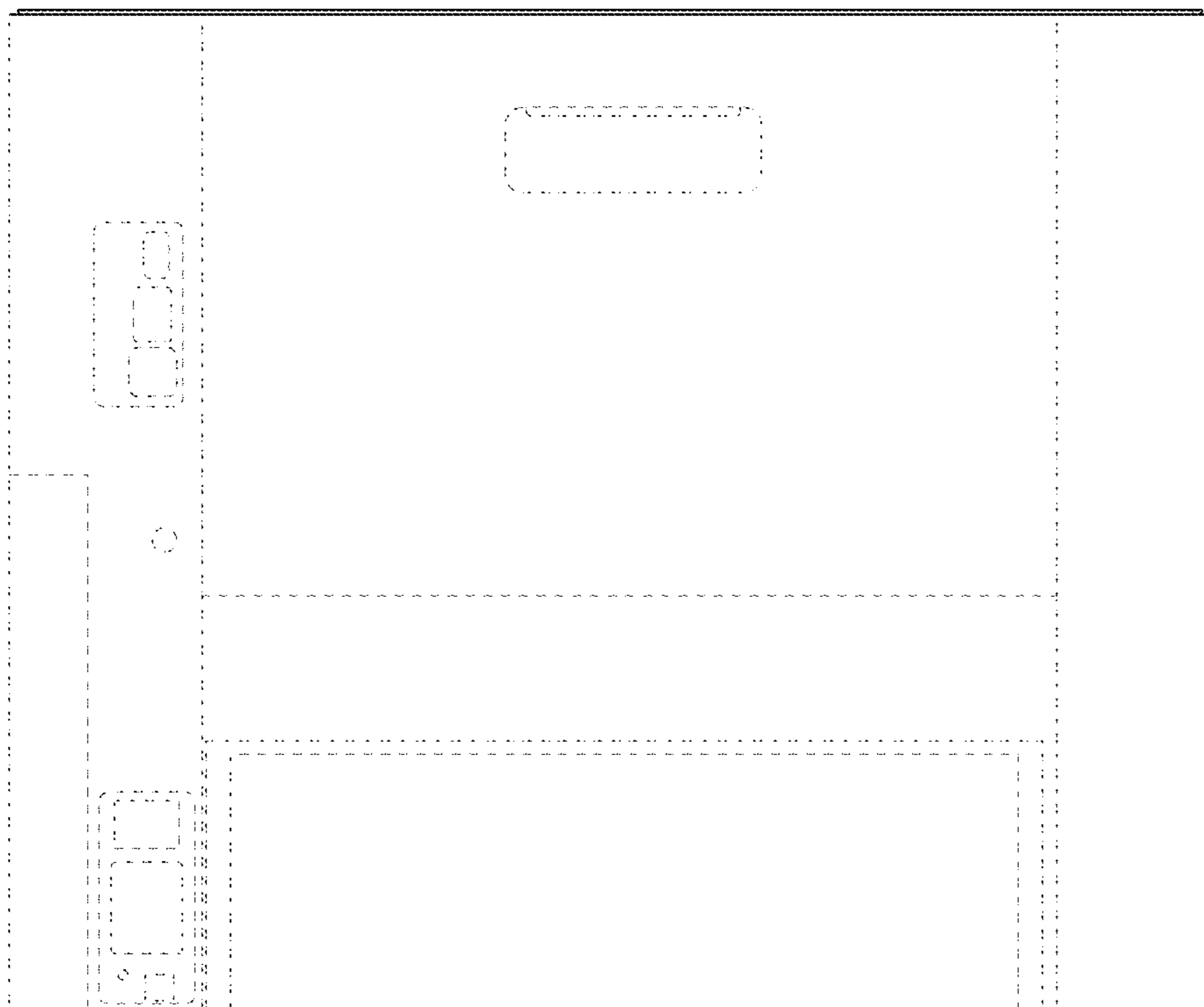


FIG.4

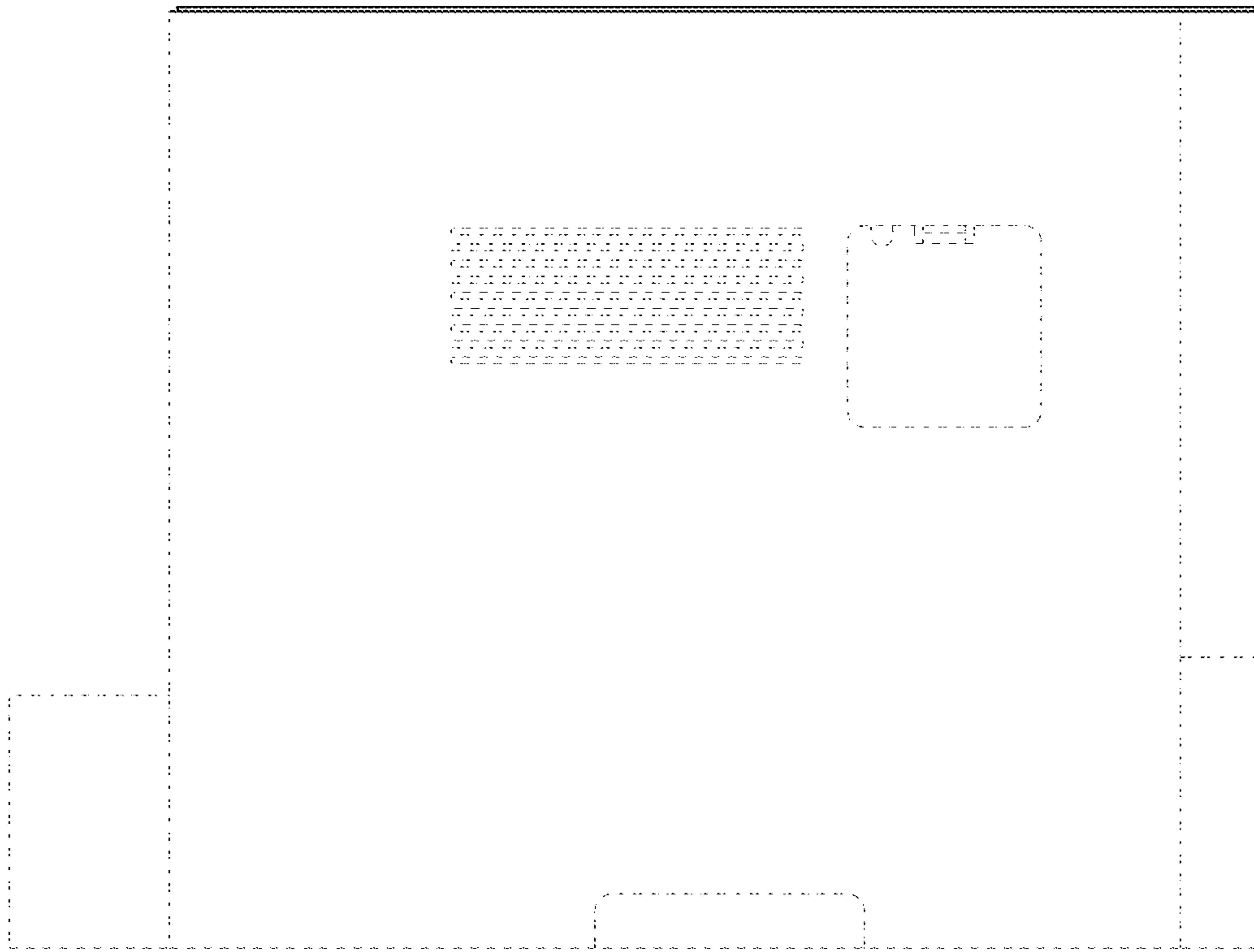


FIG.5

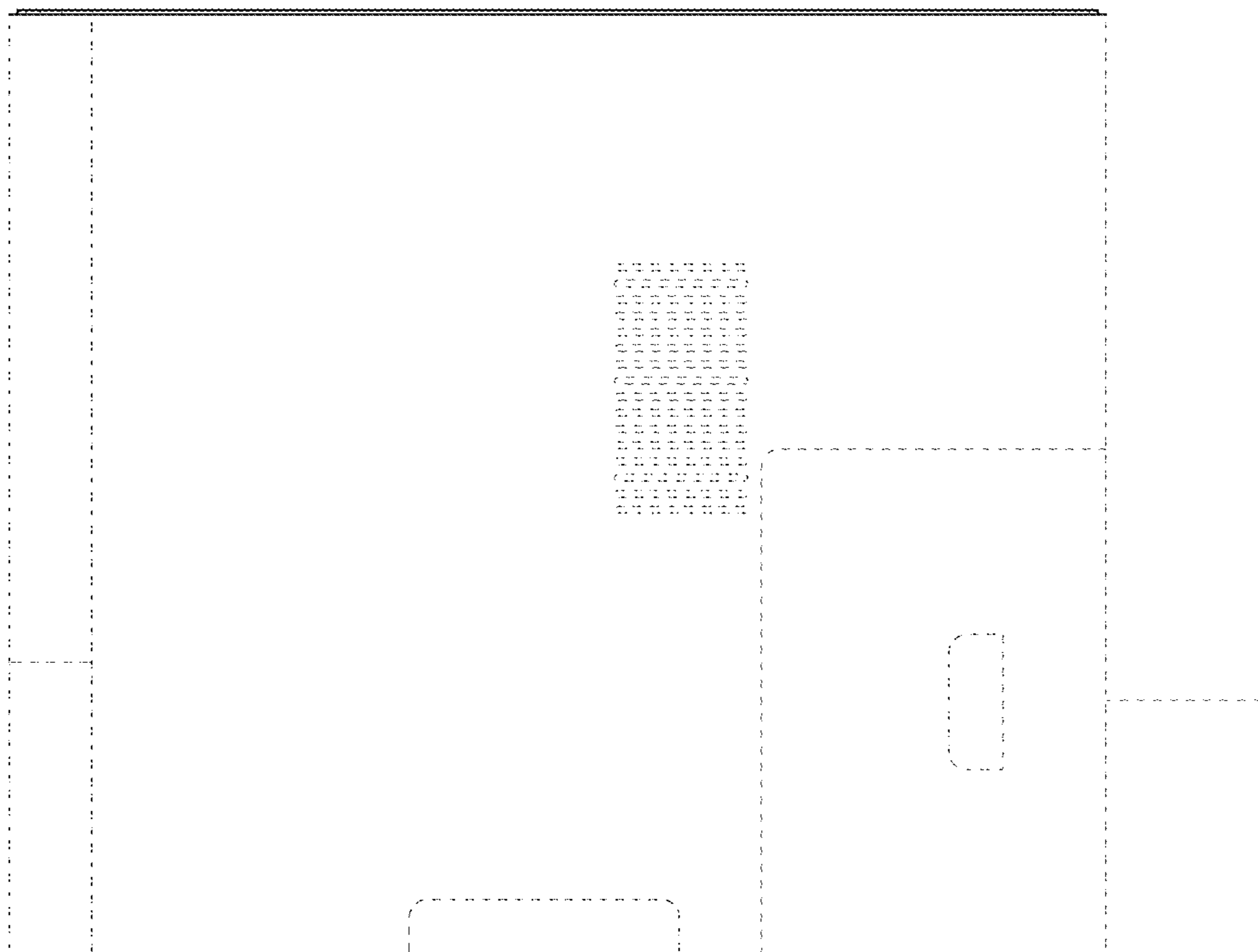


FIG.6

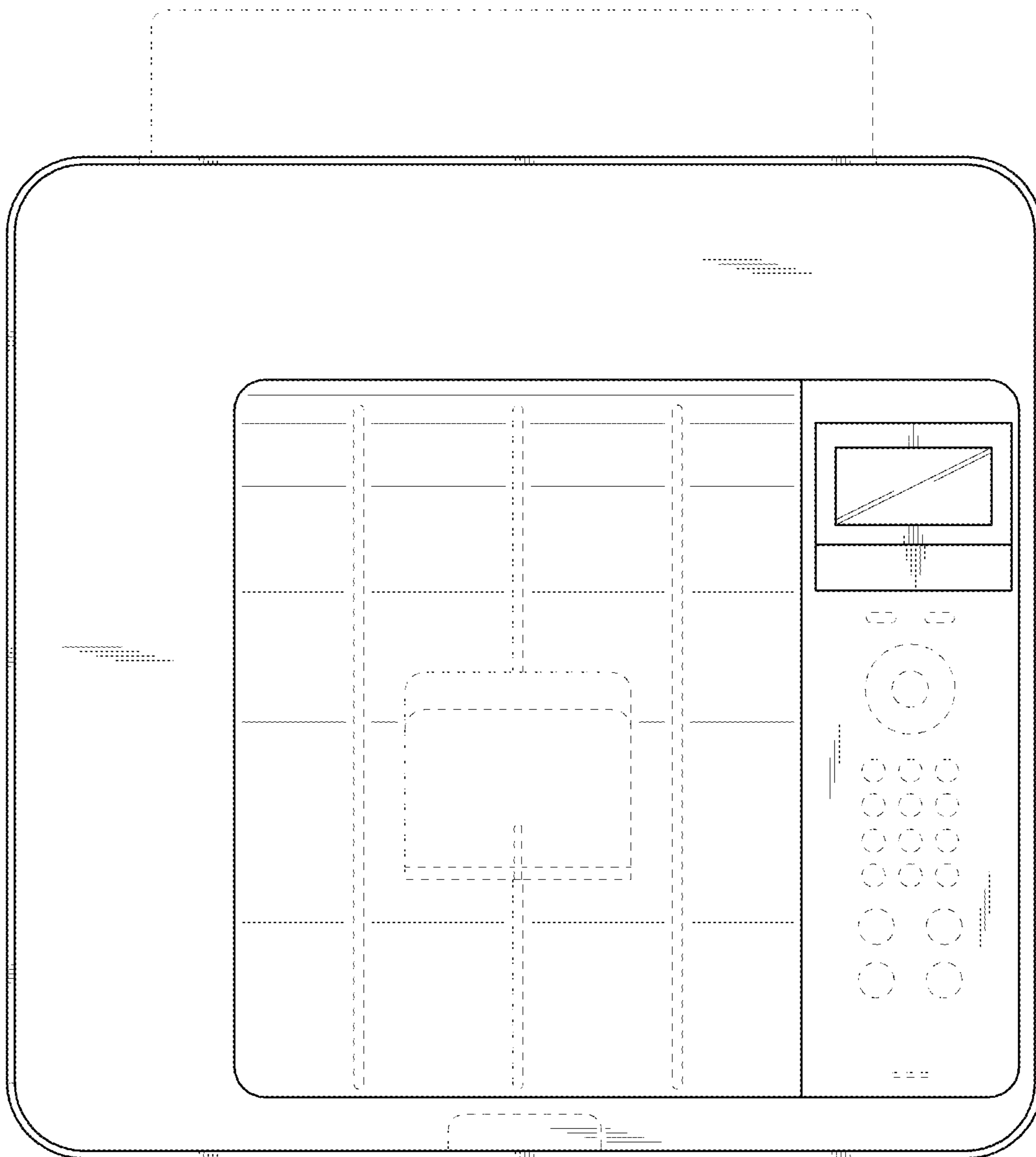


FIG.7

