



US00D785084S

(12) **United States Design Patent**
Azegami

(10) **Patent No.:** **US D785,084 S**

(45) **Date of Patent:** **** Apr. 25, 2017**

(54) **PRINTER**

(71) Applicant: **SEIKO INSTRUMENTS INC.**, Chiba (JP)

(72) Inventor: **Hitoshi Azegami**, Chiba (JP)

(73) Assignee: **SEIKO INSTRUMENTS INC.** (JP)

(**) Term: **14 Years**

(21) Appl. No.: **29/476,880**

(22) Filed: **Dec. 18, 2013**

(30) **Foreign Application Priority Data**

Jun. 28, 2013 (JP) 2013-014684

(51) **LOC (10) Cl.** **18-02**

(52) **U.S. Cl.**
USPC **D18/50; D18/19**

(58) **Field of Classification Search**
USPC D18/50, 54, 54.1, 55, 14, 19; 400/613,
400/613.1-613.4, 690.1-690.4, 691-694
See application file for complete search history.

(56) **References Cited**

U.S. PATENT DOCUMENTS

D544,530 S * 6/2007 Omuro et al. D18/50
D559,900 S * 1/2008 Kimura et al. D18/50

7,563,045 B2 * 7/2009 Nagata 400/693
7,731,437 B2 * 6/2010 Shirotori et al. 400/613
7,878,724 B2 * 2/2011 Yamagata 400/693
D670,758 S * 11/2012 Chida D18/50
D671,985 S * 12/2012 Chida et al. D18/50

* cited by examiner

Primary Examiner — Cathy Anne MacCormac

(74) *Attorney, Agent, or Firm* — Adams & Wilks

(57) **CLAIM**

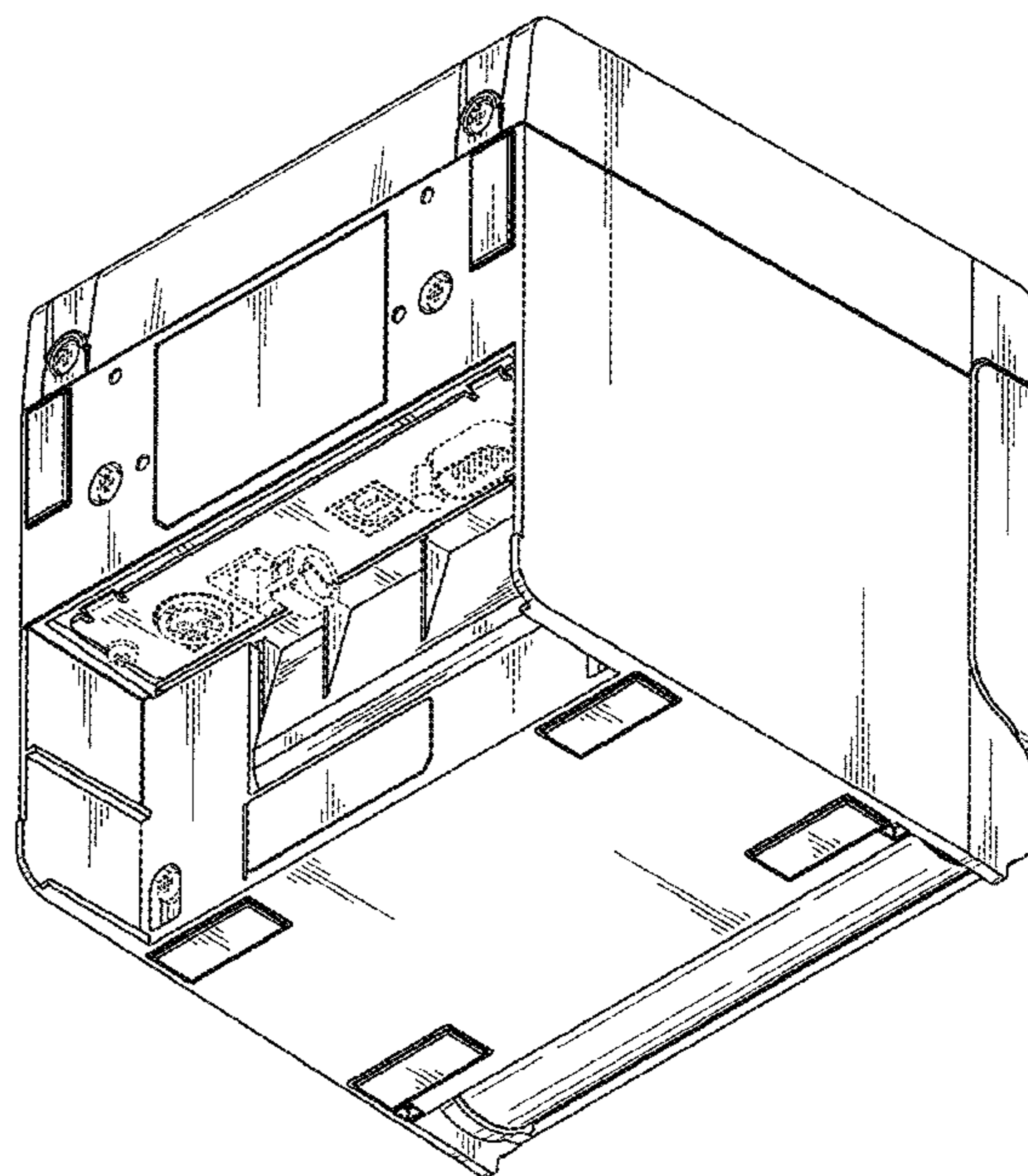
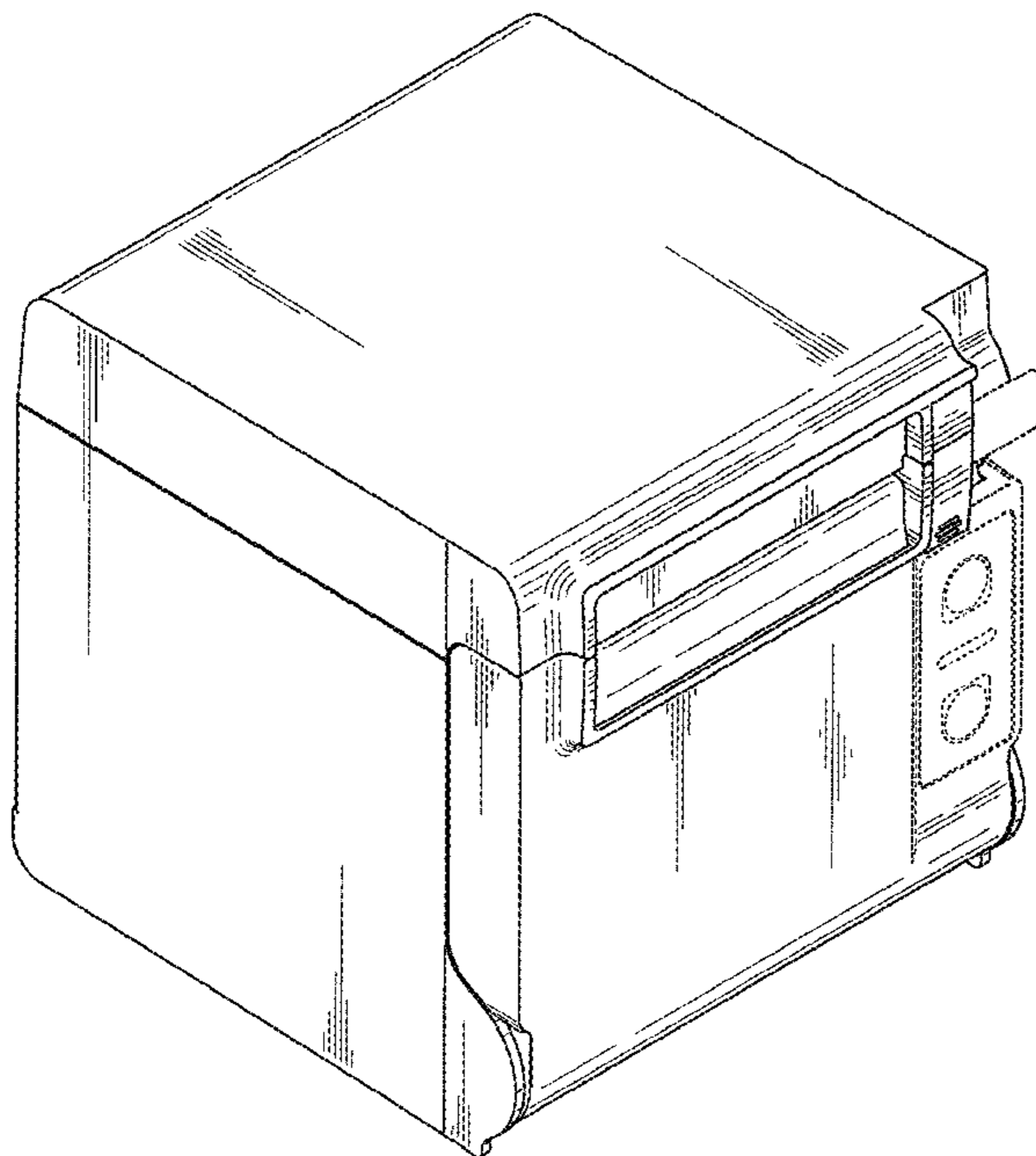
The ornamental design for printer, as shown and described.

DESCRIPTION

FIG. 1 is a front perspective view of a printer showing my new design;
FIG. 2 is a rear perspective view thereof;
FIG. 3 is a front view thereof;
FIG. 4 is a rear view thereof;
FIG. 5 is a left side view thereof;
FIG. 6 is a right side view thereof;
FIG. 7 is a top plan view thereof; and,
FIG. 8 is a bottom view thereof.

The broken lines depict environmental subject matter and form no part of the claimed design.

1 Claim, 8 Drawing Sheets



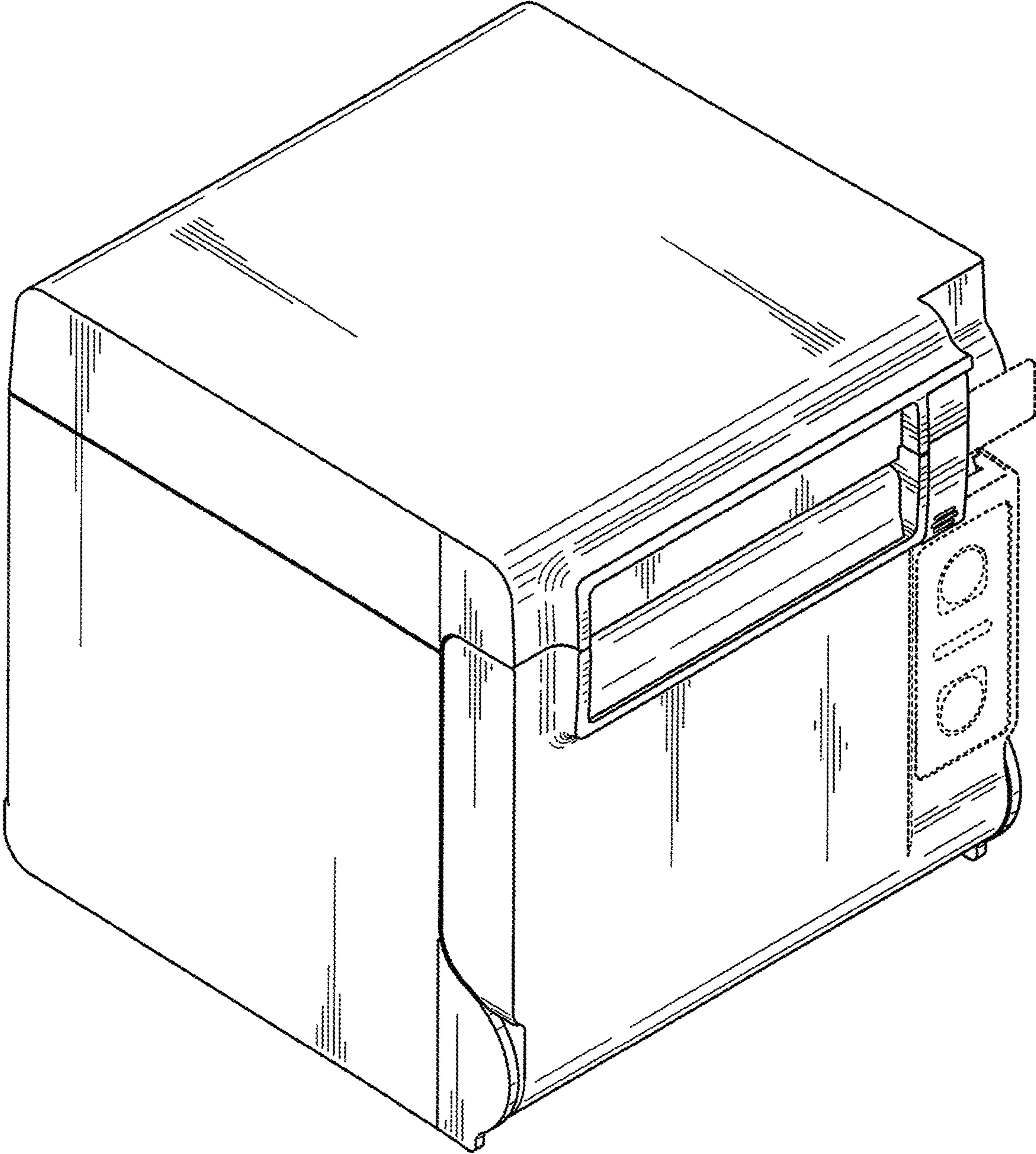


FIG. 1

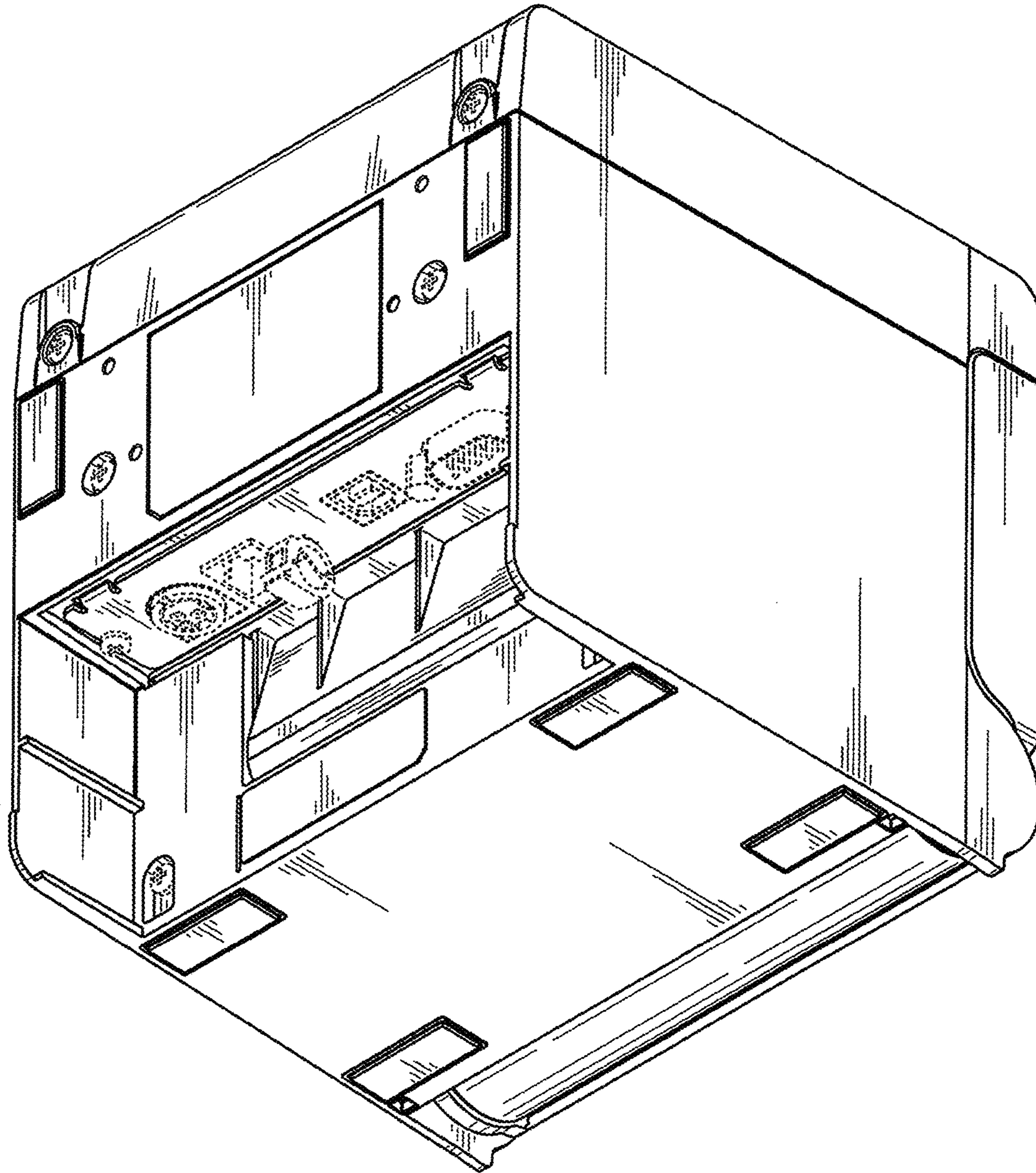


FIG. 2

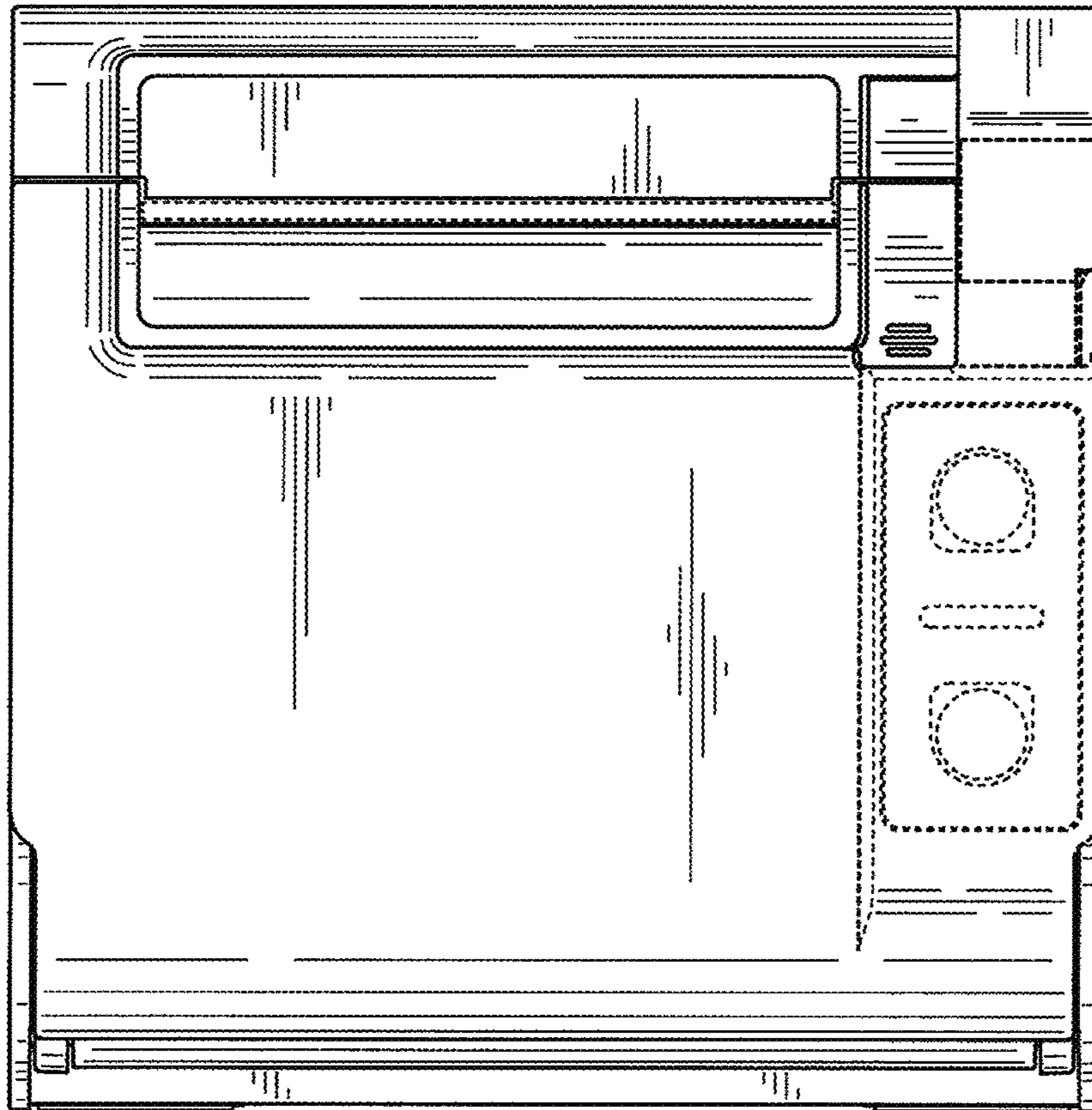


FIG. 3

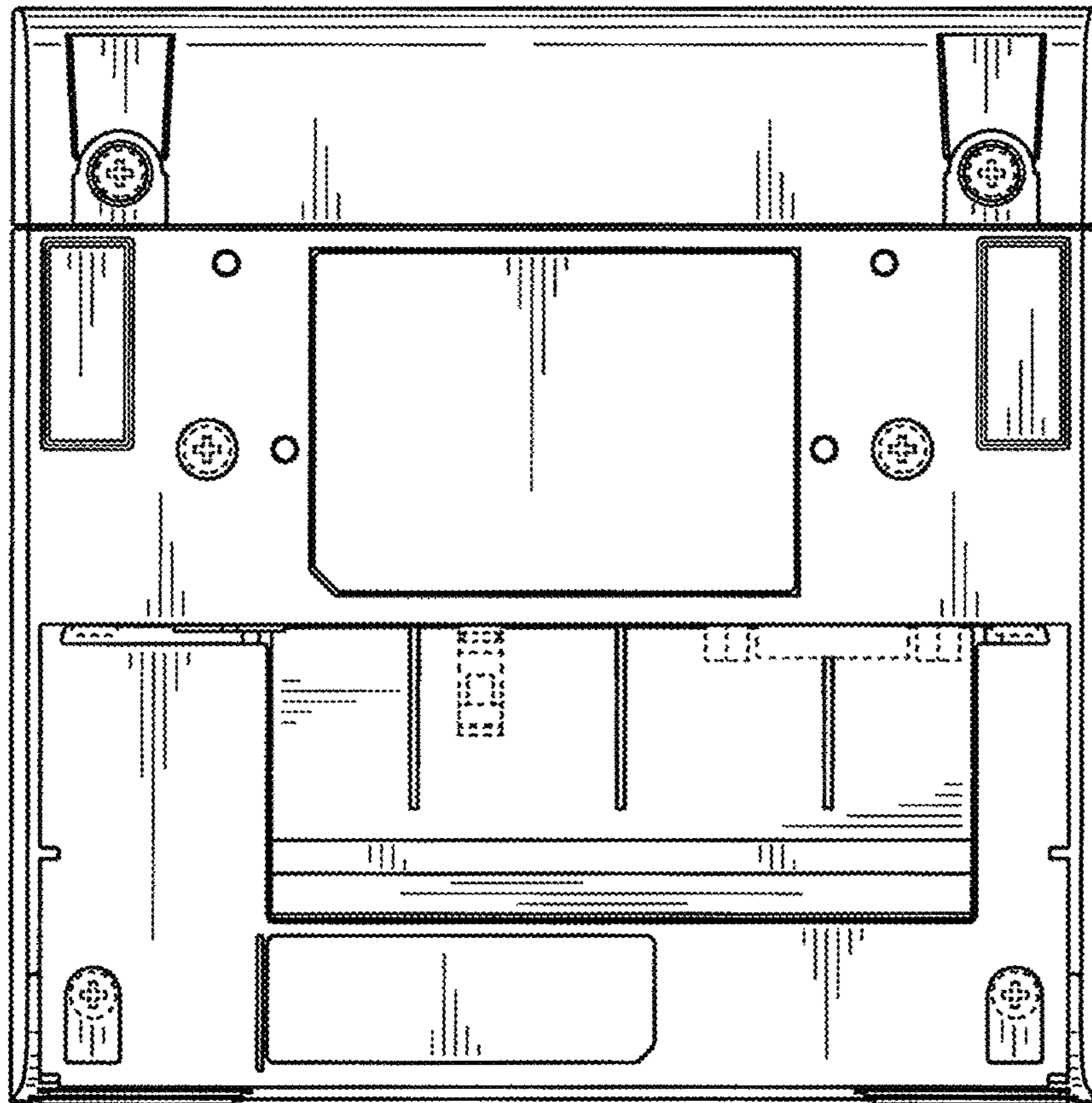


FIG. 4

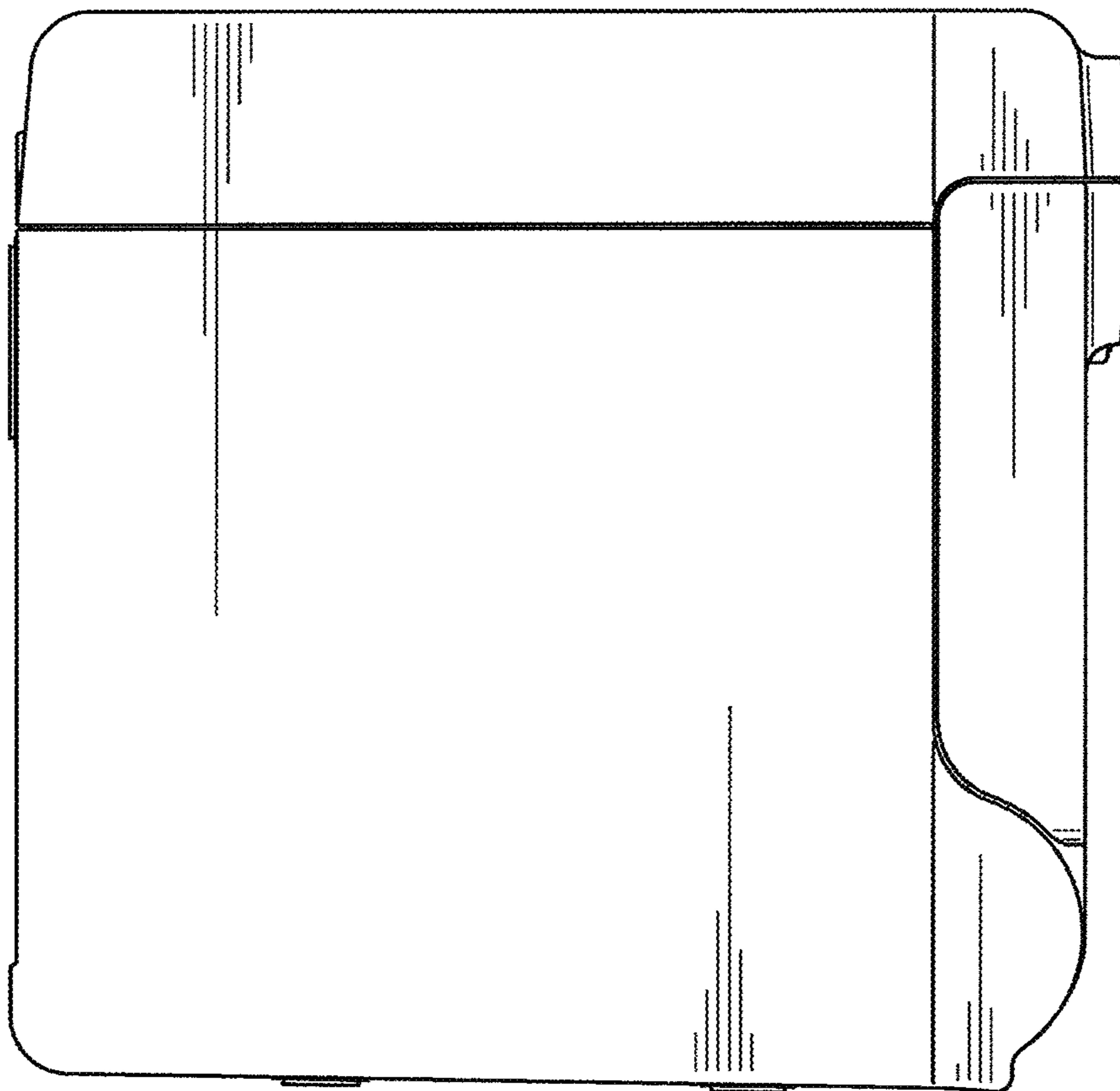


FIG. 5

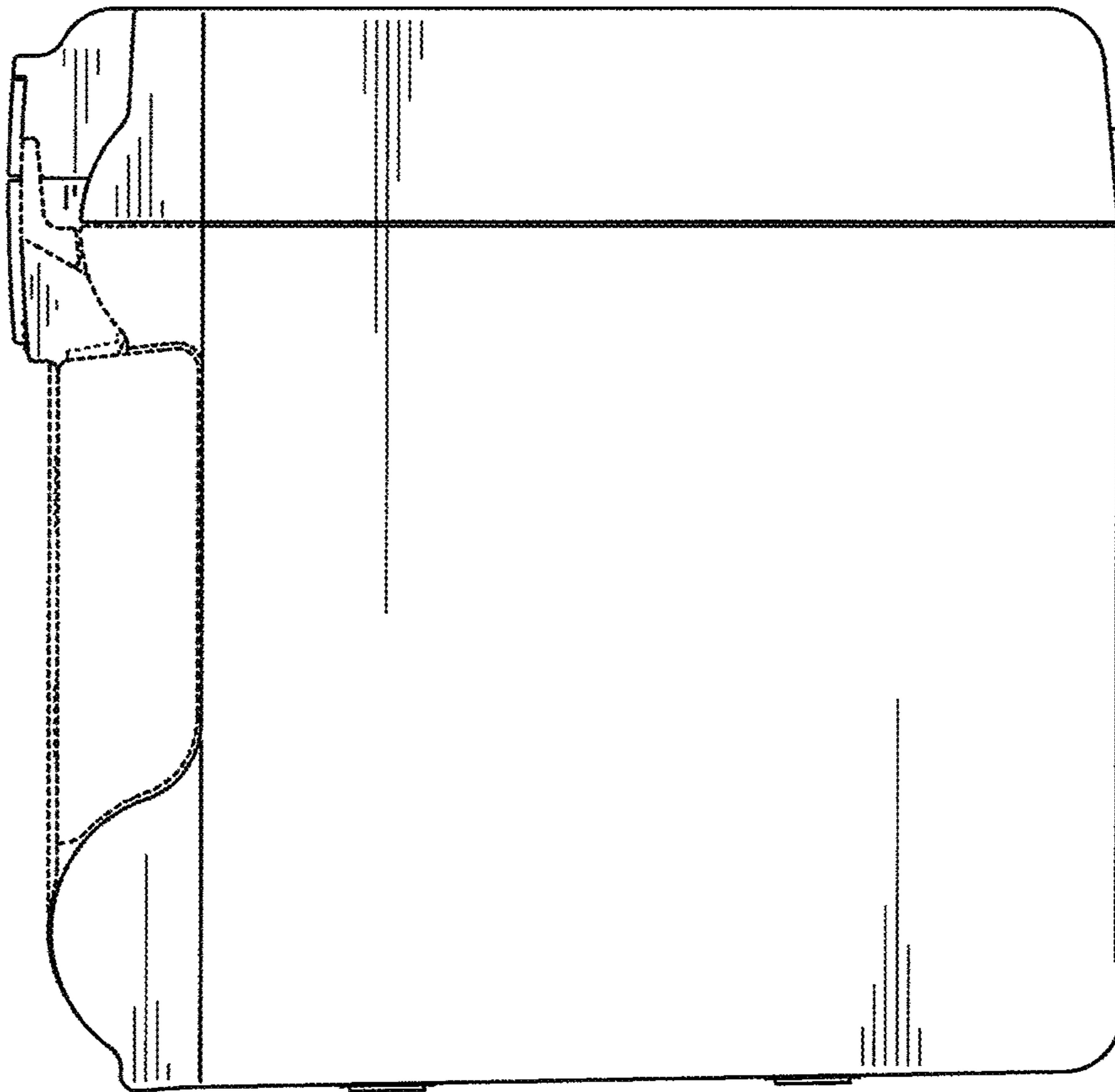


FIG. 6

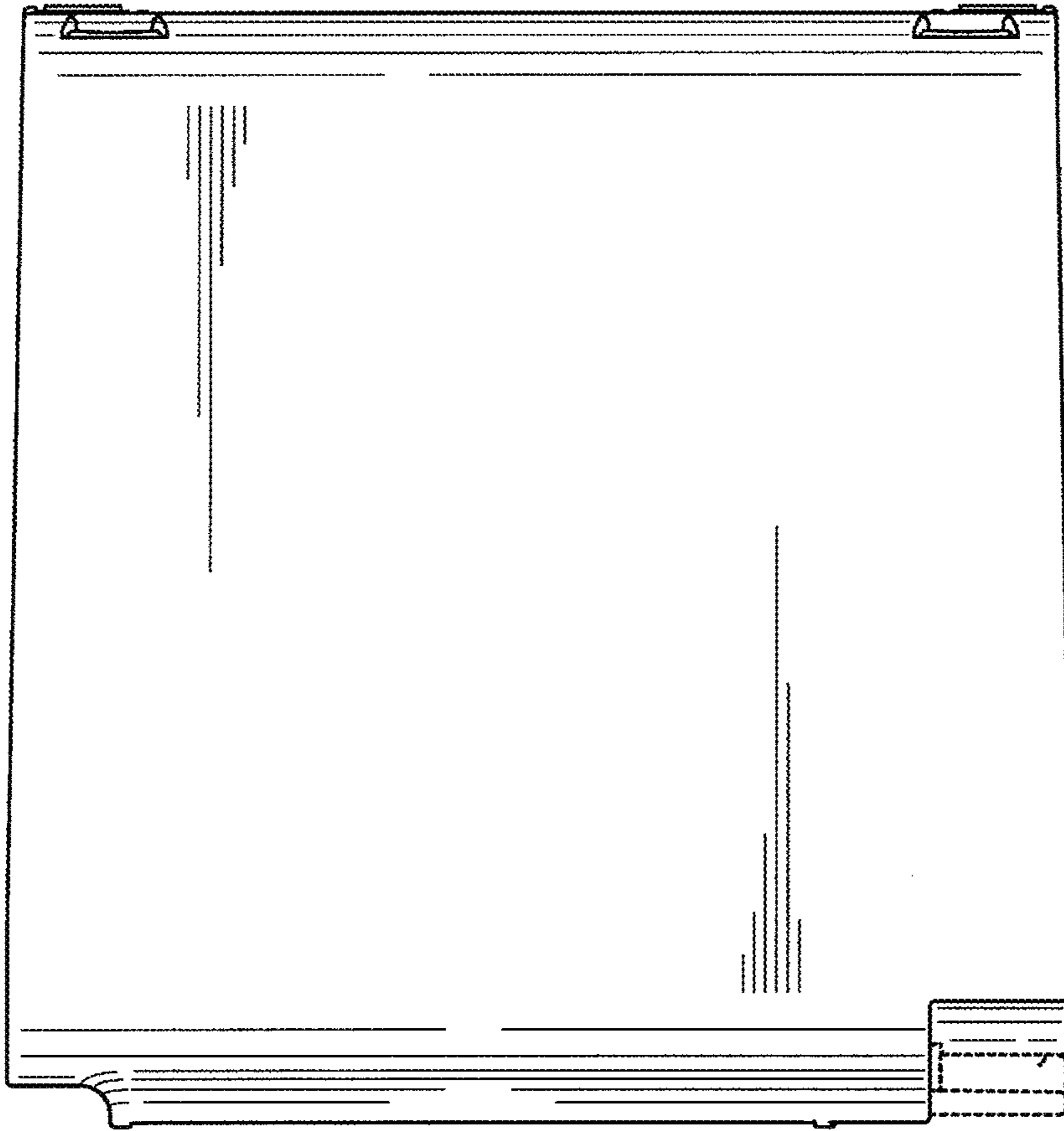


FIG. 7

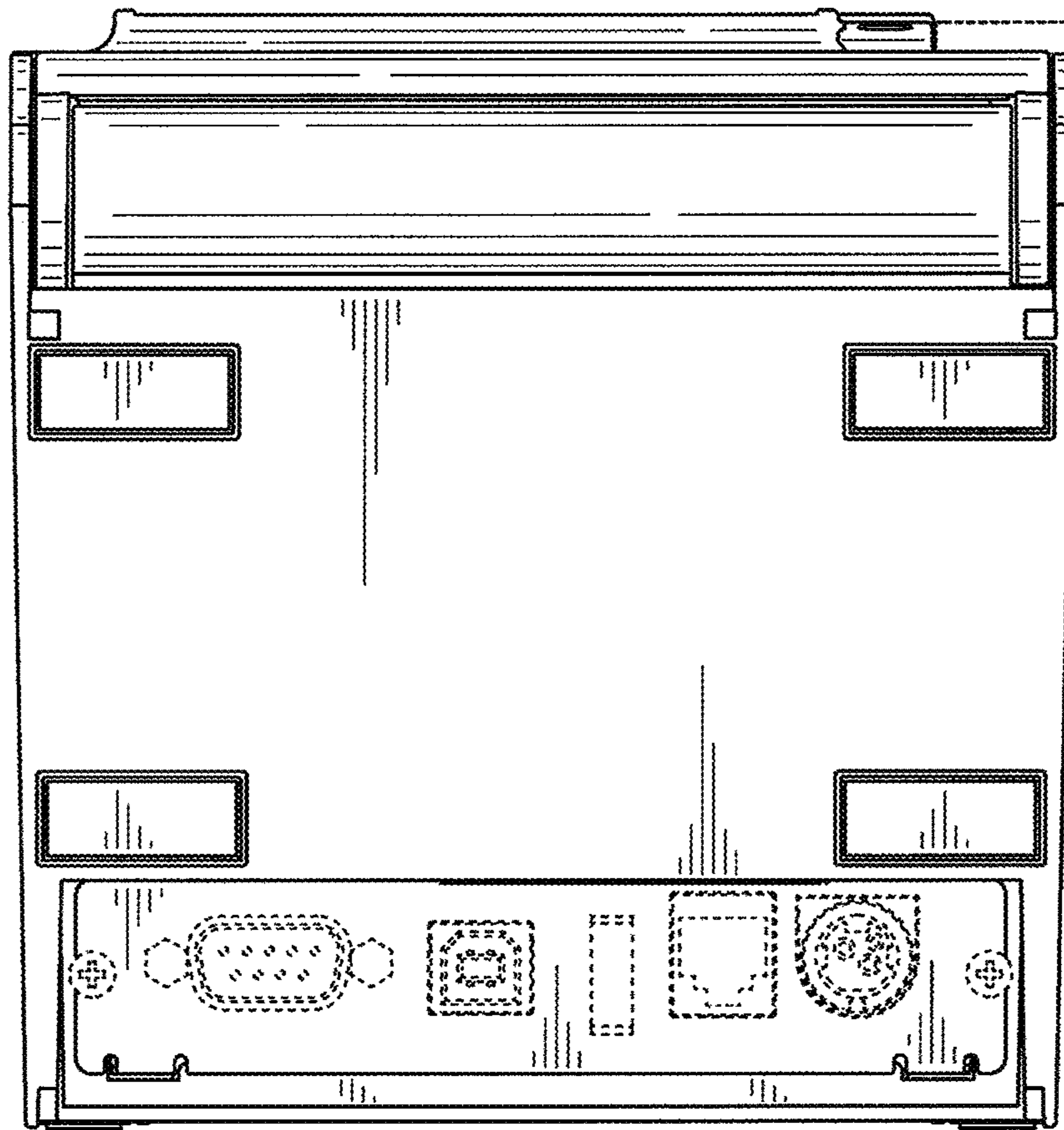


FIG. 8