



US00D785083S

(12) **United States Design Patent** (10) **Patent No.:** **US D785,083 S**
Ahn et al. (45) **Date of Patent:** **** Apr. 25, 2017**

(54) **TONER CARTRIDGE**

(71) Applicant: **SAMSUNG ELECTRONICS CO., LTD.**, Suwon-si, Gyeonggi-do (KR)

(72) Inventors: **Yong-Nam Ahn**, Suwon-si (KR);
Shin-Hyup Kang, Suwon-si (KR);
Young-Chae Kim, Seoul (KR);
Jong-Uk Kim, Suwon-si (KR)

(73) Assignee: **S-PRINTING SOLUTION CO., LTD.**, Gyeonggi-Do (KR)

(**) Term: **15 Years**

(21) Appl. No.: **29/572,525**

(22) Filed: **Jul. 28, 2016**

Related U.S. Application Data

(63) Continuation of application No. 29/512,075, filed on Dec. 16, 2014, now Pat. No. Des. 765,770.

(30) **Foreign Application Priority Data**

Jun. 27, 2014 (KR) 30-2014-0031739

(51) **LOC (10) Cl.** **16-03**

(52) **U.S. Cl.**
USPC **D18/43; D18/56**

(58) **Field of Classification Search**
USPC D18/18, 40, 43, 56, 99
CPC G03G 15/0832; G03G 15/0834; G03G 15/0836; G03G 15/0837; G03G 15/0867; G03G 15/0868; G03G 15/0872; G03G 15/0877; G03G 15/0898; G03G 15/50; G03G 15/5016; G03G 15/60; G03G 15/65

See application file for complete search history.

(56) **References Cited**

U.S. PATENT DOCUMENTS

D375,519 S	*	11/1996	Tsumuki	D18/40
D451,127 S		11/2001	Katou et al.		
D574,038 S	*	7/2008	Sakabe	D18/43
D587,303 S	*	2/2009	Park	D18/43
D590,437 S		4/2009	Tanaka		
D679,750 S		4/2013	Fujii		
D712,458 S	*	9/2014	Takiguchi	D18/43
D736,309 S		8/2015	Kang et al.		
D746,906 S	*	1/2016	Kitagawa	D18/43
D765,770 S	*	9/2016	Ahn	D18/43

* cited by examiner

Primary Examiner — Daniel Bui

Assistant Examiner — Khawaja Anwar

(74) *Attorney, Agent, or Firm* — Cantor Colburn LLP

(57) **CLAIM**

We claim, the ornamental design for a toner cartridge, as shown and described.

DESCRIPTION

FIG. 1 is a front perspective view of a toner cartridge showing our new design;
FIG. 2 is a front view thereof;
FIG. 3 is a rear view thereof;
FIG. 4 is a left-side view thereof;
FIG. 5 is a right-side view thereof;
FIG. 6 is a top view thereof;
FIG. 7 is a bottom view thereof; and,
FIG. 8 is a bottom perspective view thereof.
The broken lines illustrating portions of the toner cartridge are for environmental purposes only and form no part of the claimed design.

1 Claim, 8 Drawing Sheets

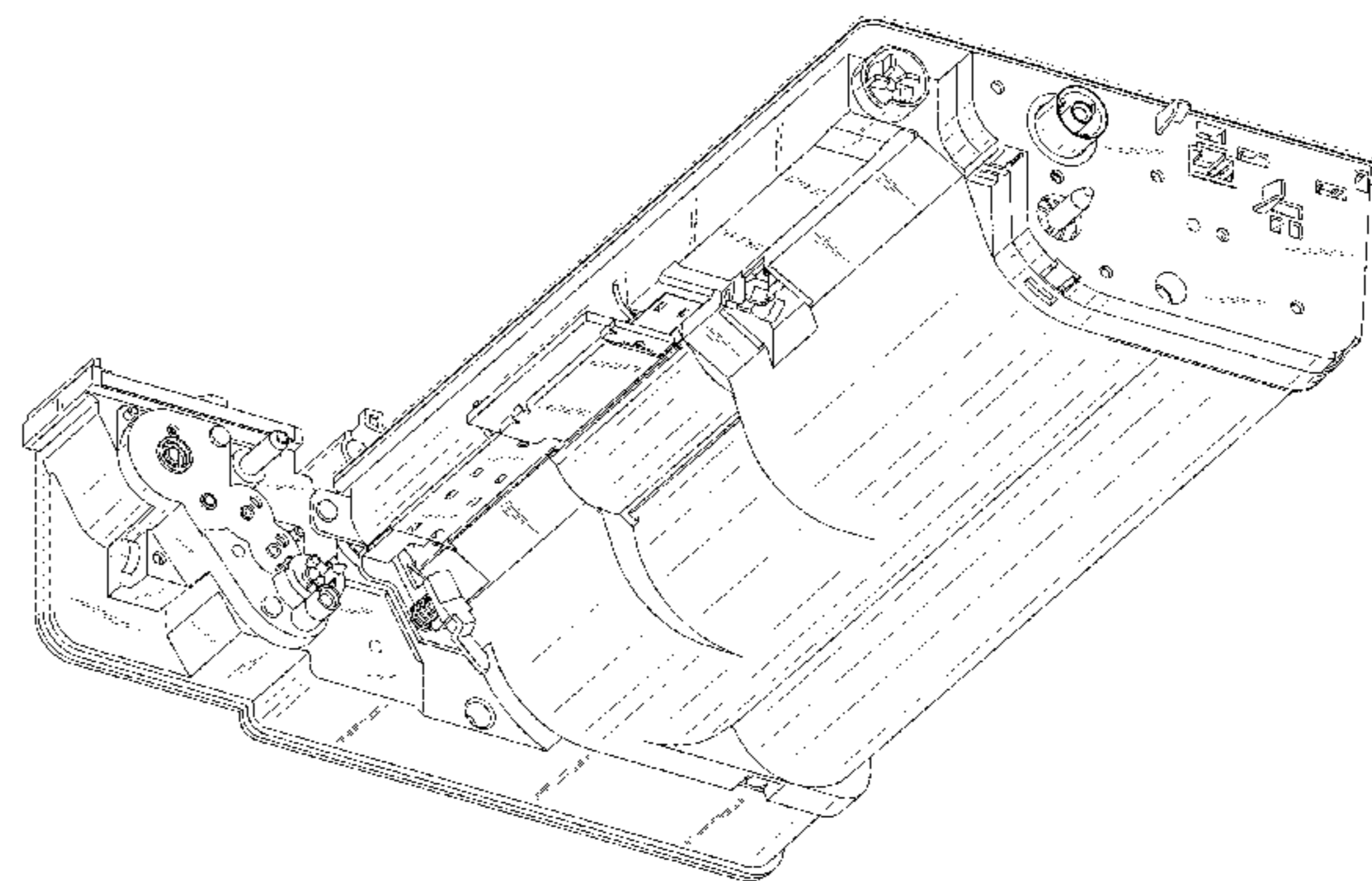
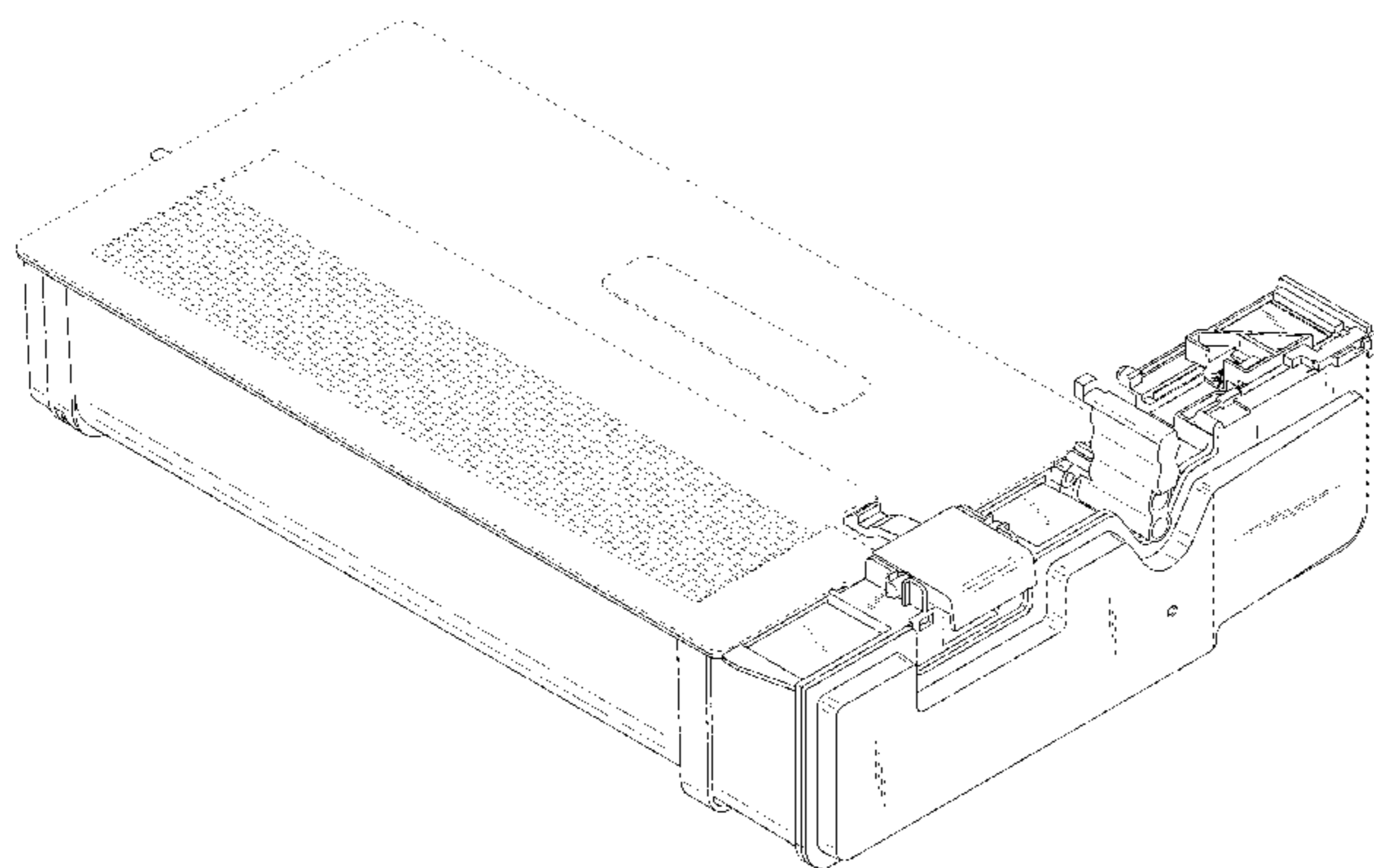


FIG.1

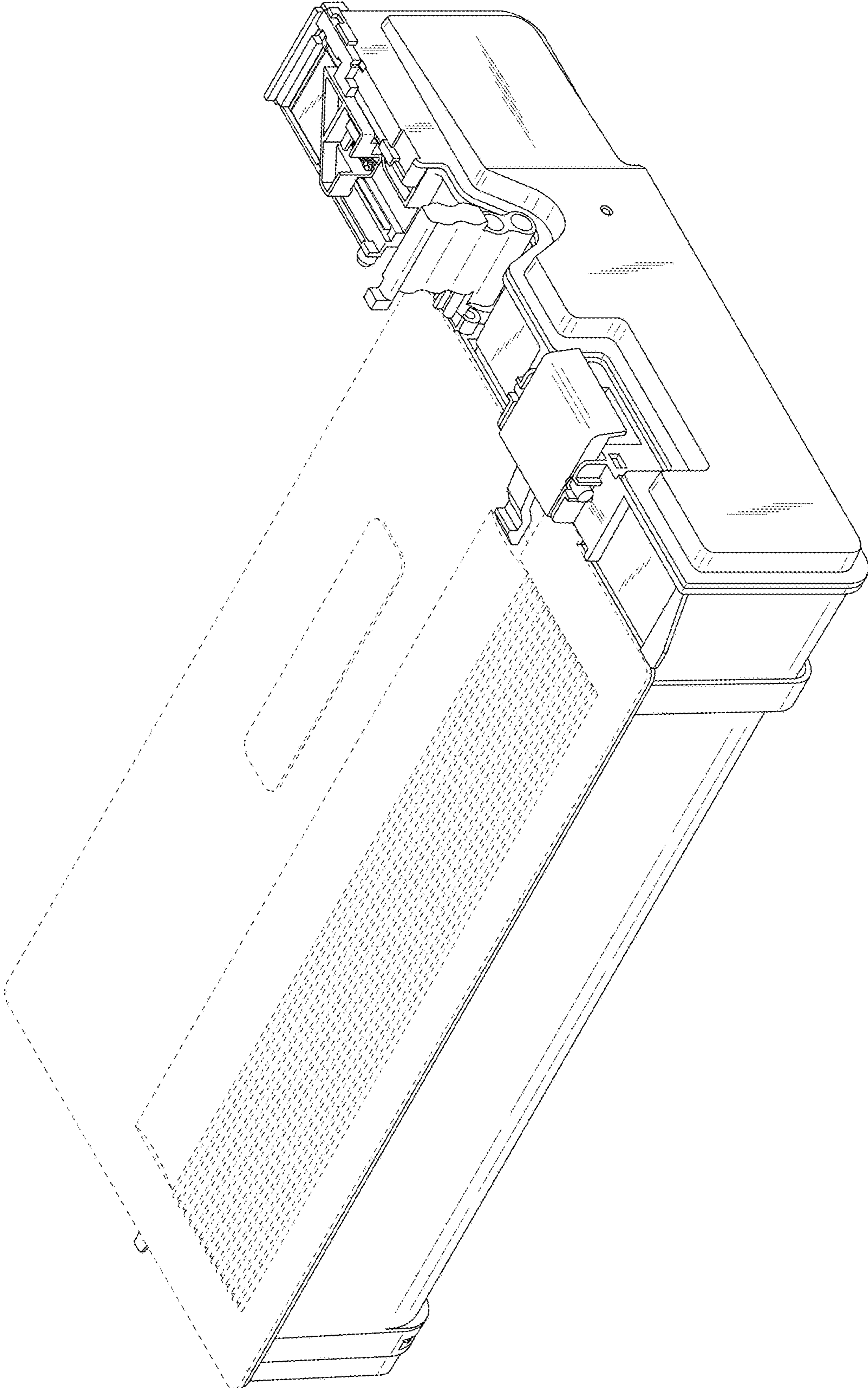


FIG.2

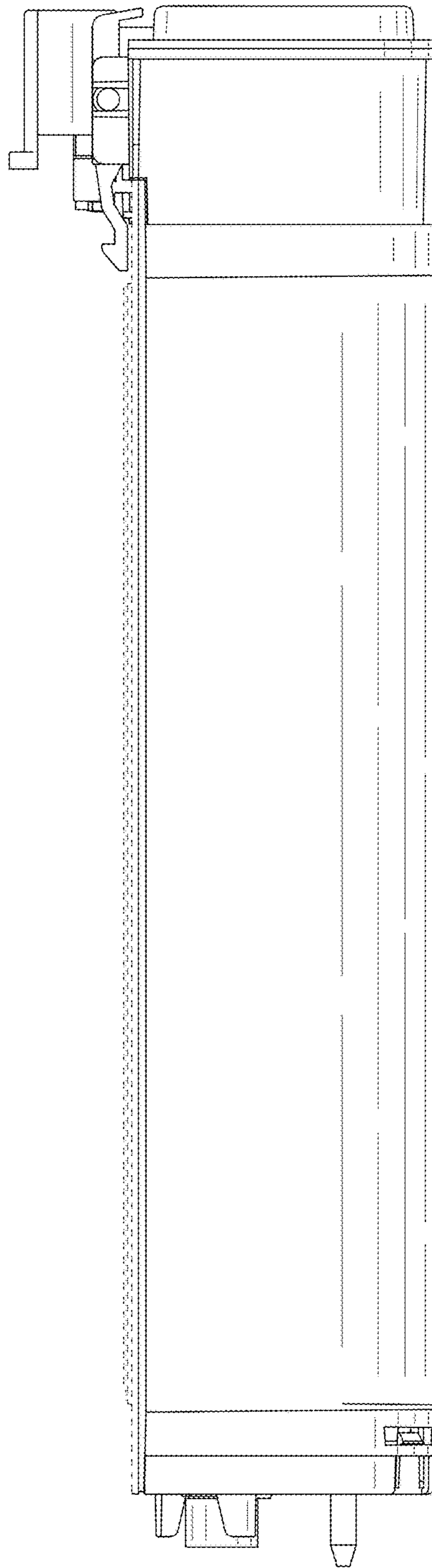


FIG.3

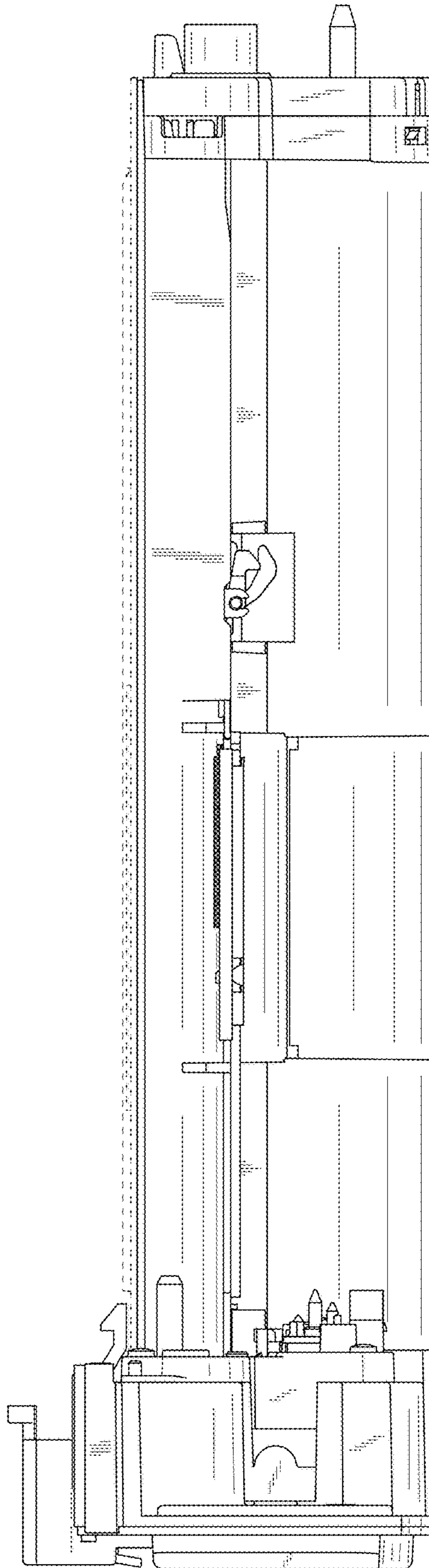


FIG.4

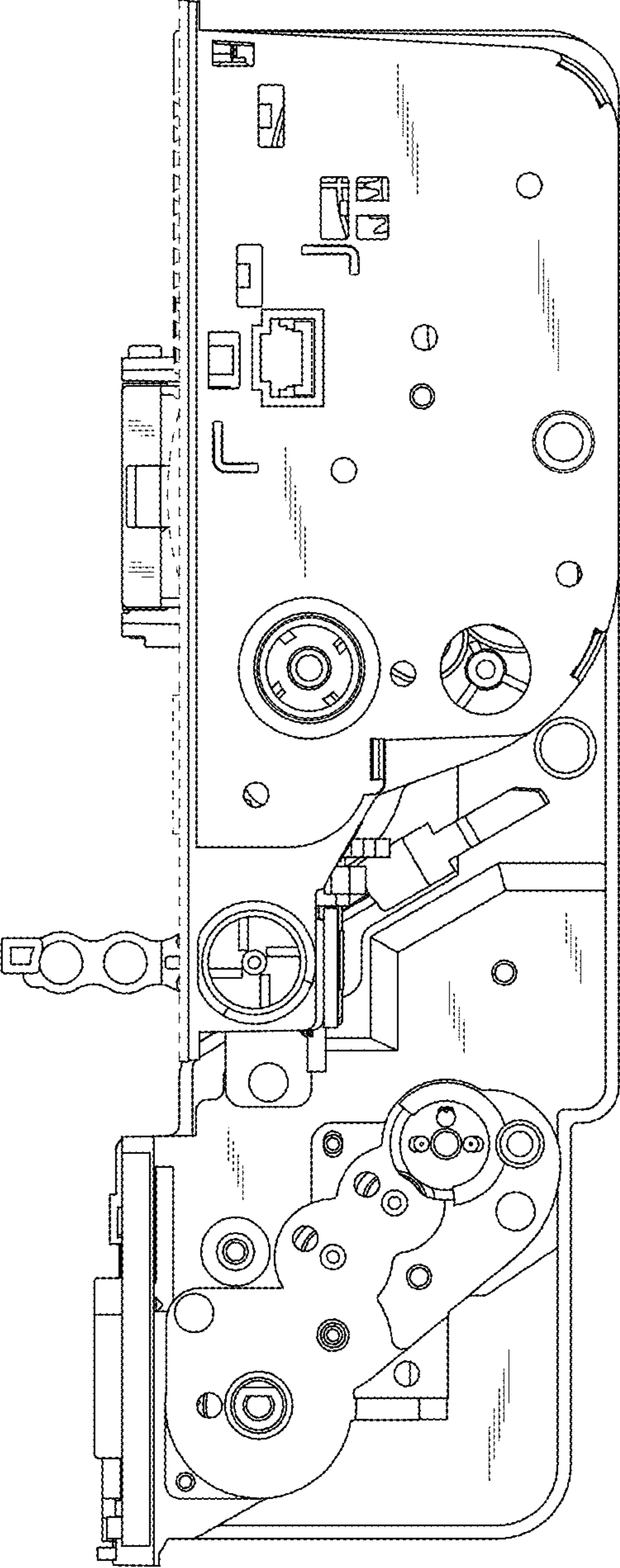
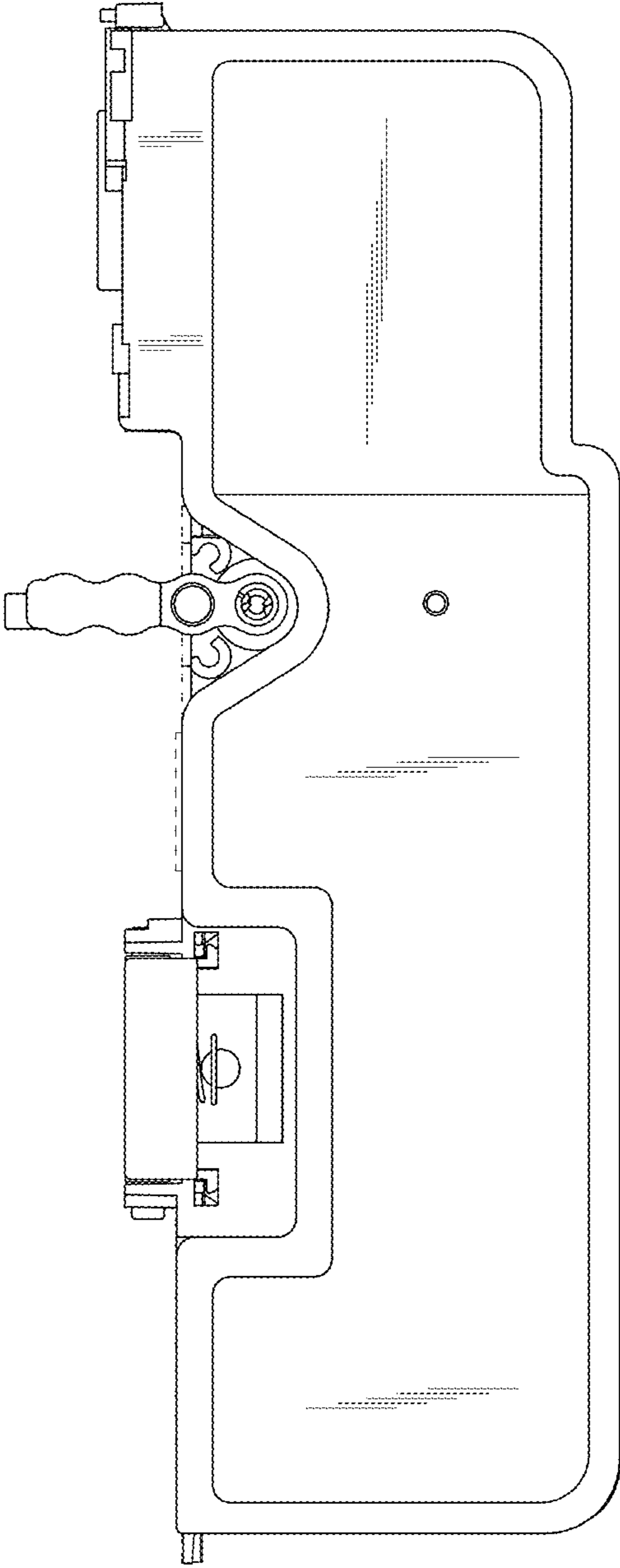


FIG.5



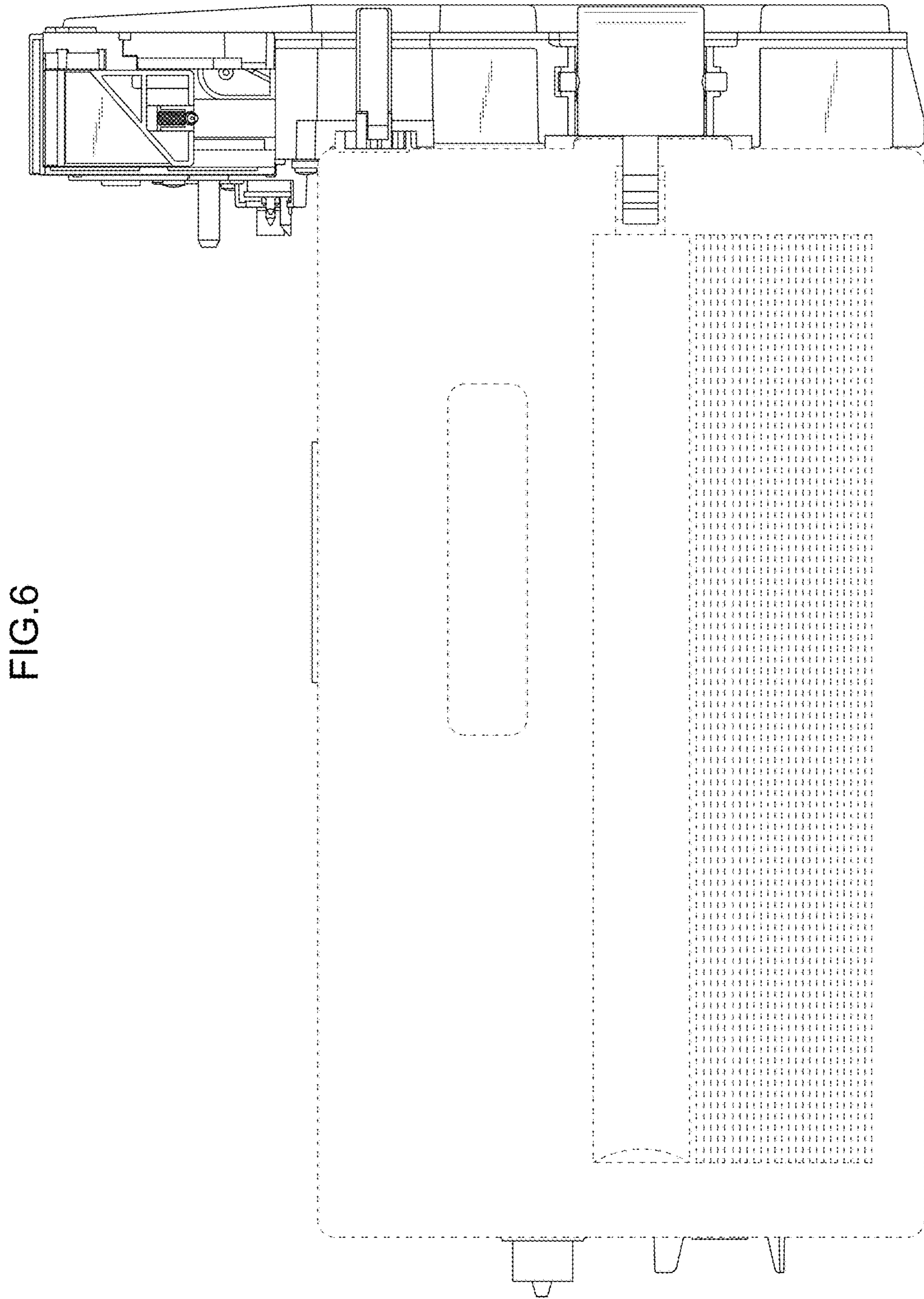


FIG. 6

FIG.7

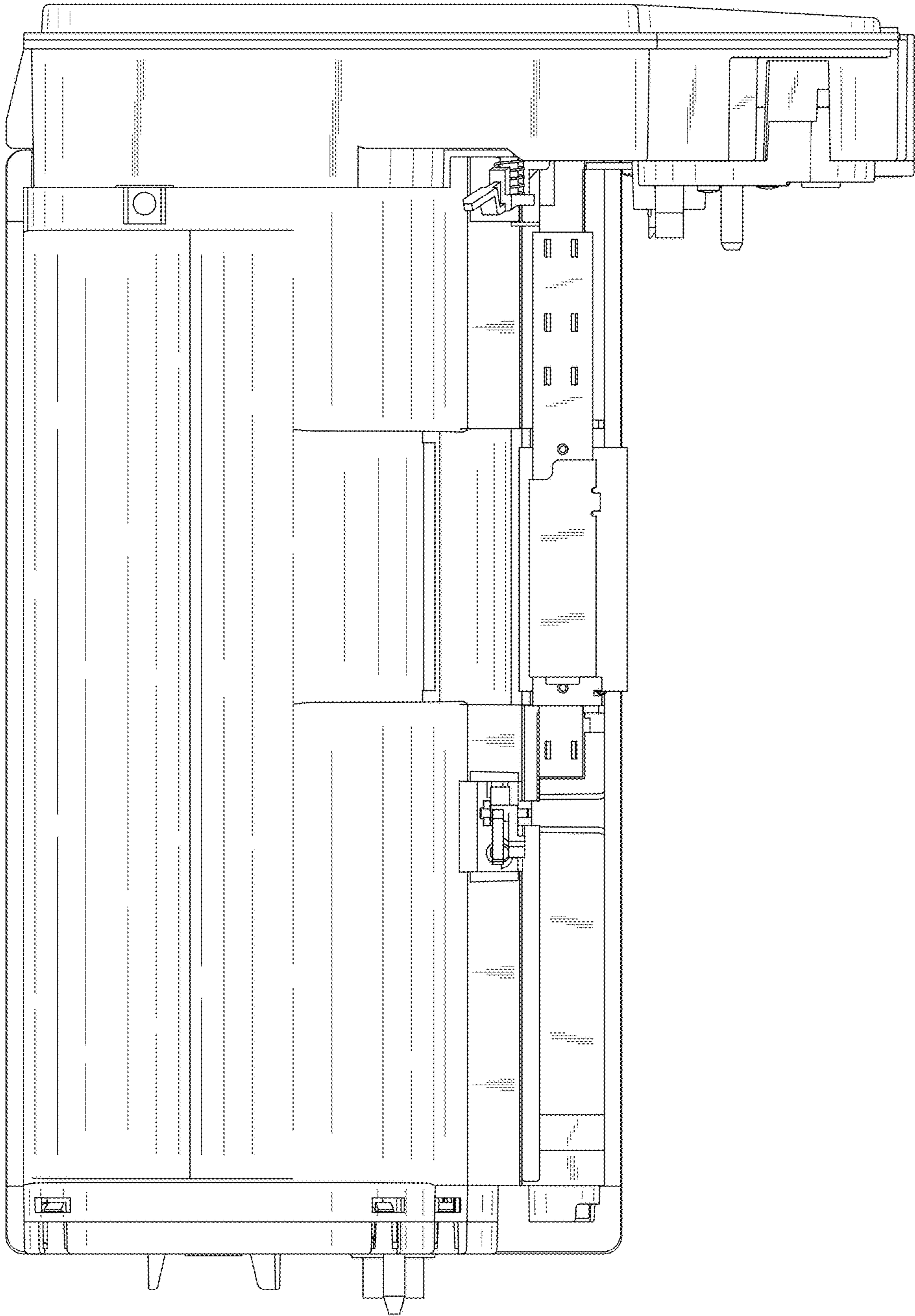


FIG.8

