



US00D785075S

(12) **United States Design Patent**
Ge

(10) **Patent No.:** **US D785,075 S**

(45) **Date of Patent:** **** Apr. 25, 2017**

(54) **MULTIFUNCTION SPECTACLES**

(71) Applicant: **Fanglei Ge**, Shenzhen (CN)

(72) Inventor: **Fanglei Ge**, Shenzhen (CN)

(**) Term: **15 Years**

(21) Appl. No.: **29/557,502**

(22) Filed: **Mar. 9, 2016**

(30) **Foreign Application Priority Data**

Sep. 9, 2015 (CN) 2015 3 0346355

(51) **LOC (10) Cl.** **16-06**

(52) **U.S. Cl.**
USPC **D16/309**

(58) **Field of Classification Search**
USPC D16/101, 300-342, 900; D29/109-110;
351/41, 44, 51-52, 62, 158, 92, 103-123,
351/140-153, 63, 59, 45-48; 2/426-432,
2/447-449, 441, 434-437, 440, 442, 13,
2/15; D21/483, 659-661; D14/372;
D8/356

CPC G02C 2200/08; G02C 1/06; G02C 5/14;
G02C 11/02; G02C 11/04; G01C 5/16;
A61M 2021/0044; A63B 33/002

See application file for complete search history.

(56) **References Cited**

U.S. PATENT DOCUMENTS

D523,461 S * 6/2006 Jannard D16/309
D553,177 S * 10/2007 Chen D16/309

D645,492 S * 9/2011 Zhao D16/309
D685,019 S * 6/2013 Li D16/309
D748,715 S * 2/2016 Li D16/309
D770,558 S * 11/2016 Ghodousi D16/309
2012/0062357 A1* 3/2012 Slamka G01C 21/20
340/4.11
2015/0248024 A1* 9/2015 Chen G02C 11/04
351/158

* cited by examiner

Primary Examiner — Raphael Barkai

(74) *Attorney, Agent, or Firm* — Knobbe Martens Olson
& Bear LLP

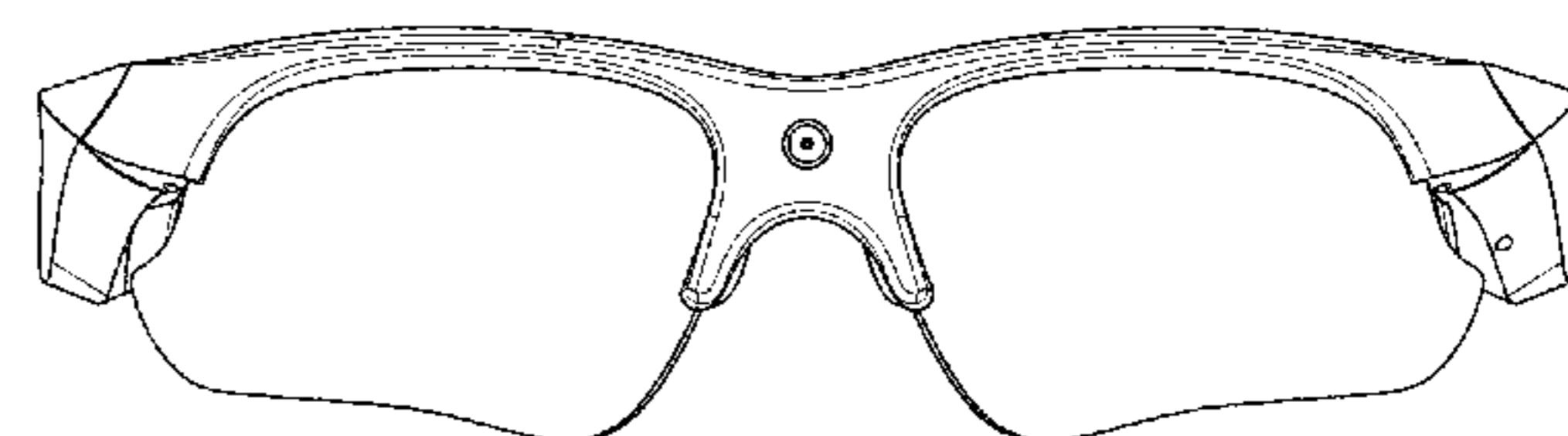
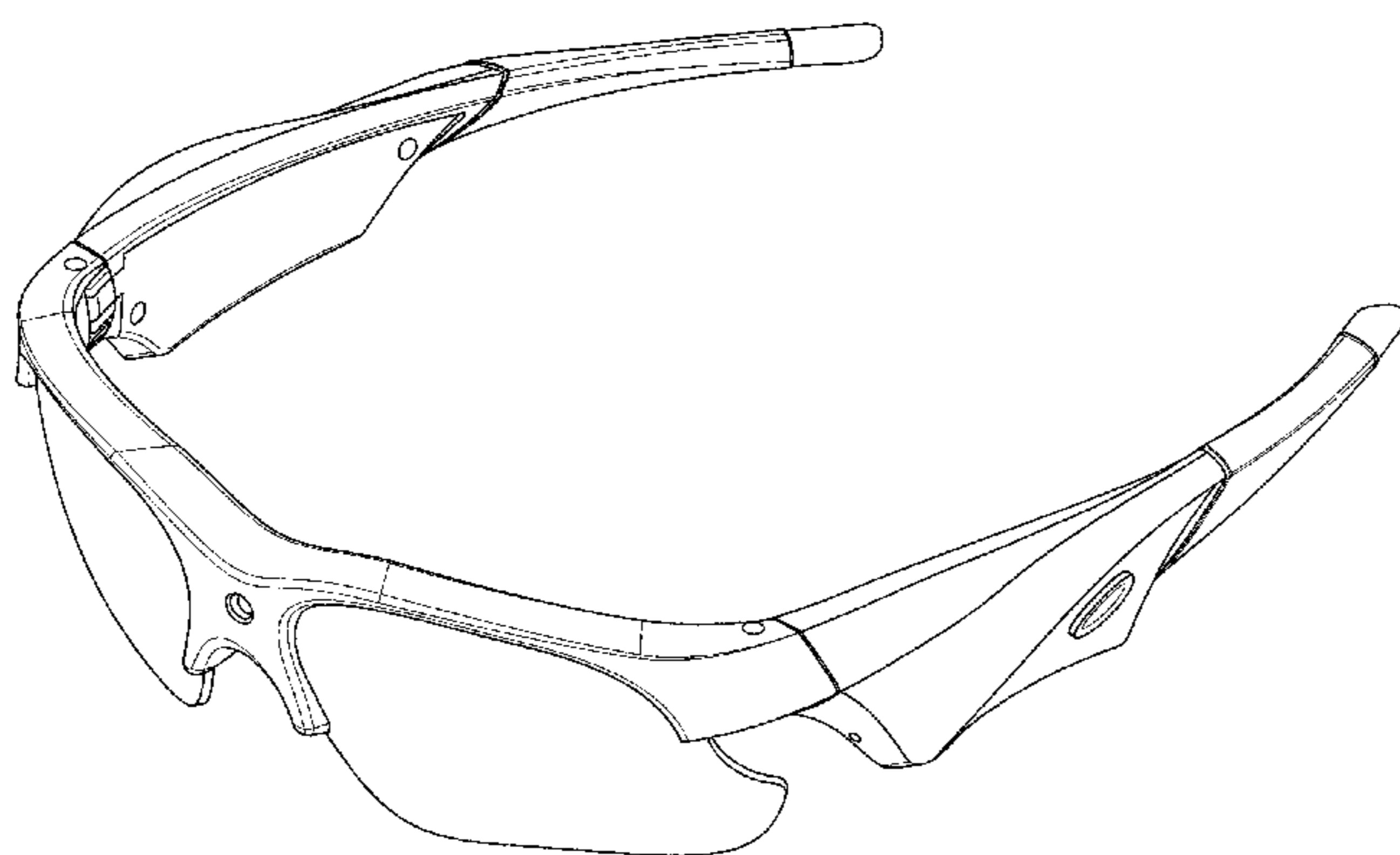
(57) **CLAIM**

The ornamental design for multifunction spectacles, as shown.

DESCRIPTION

FIG. 1 is an upper-left-front perspective view of multifunction spectacles, showing my new design.
FIG. 2 is a front elevational view thereof.
FIG. 3 is a rear elevational view thereof.
FIG. 4 is a right side elevational view thereof.
FIG. 5 is a left side elevational view thereof.
FIG. 6 is top plan view thereof.
FIG. 7 is a bottom plan view thereof.
FIG. 8 is an upper-left-rear perspective view thereof; and,
FIG. 9 is lower-right-rear perspective view thereof.

1 Claim, 7 Drawing Sheets



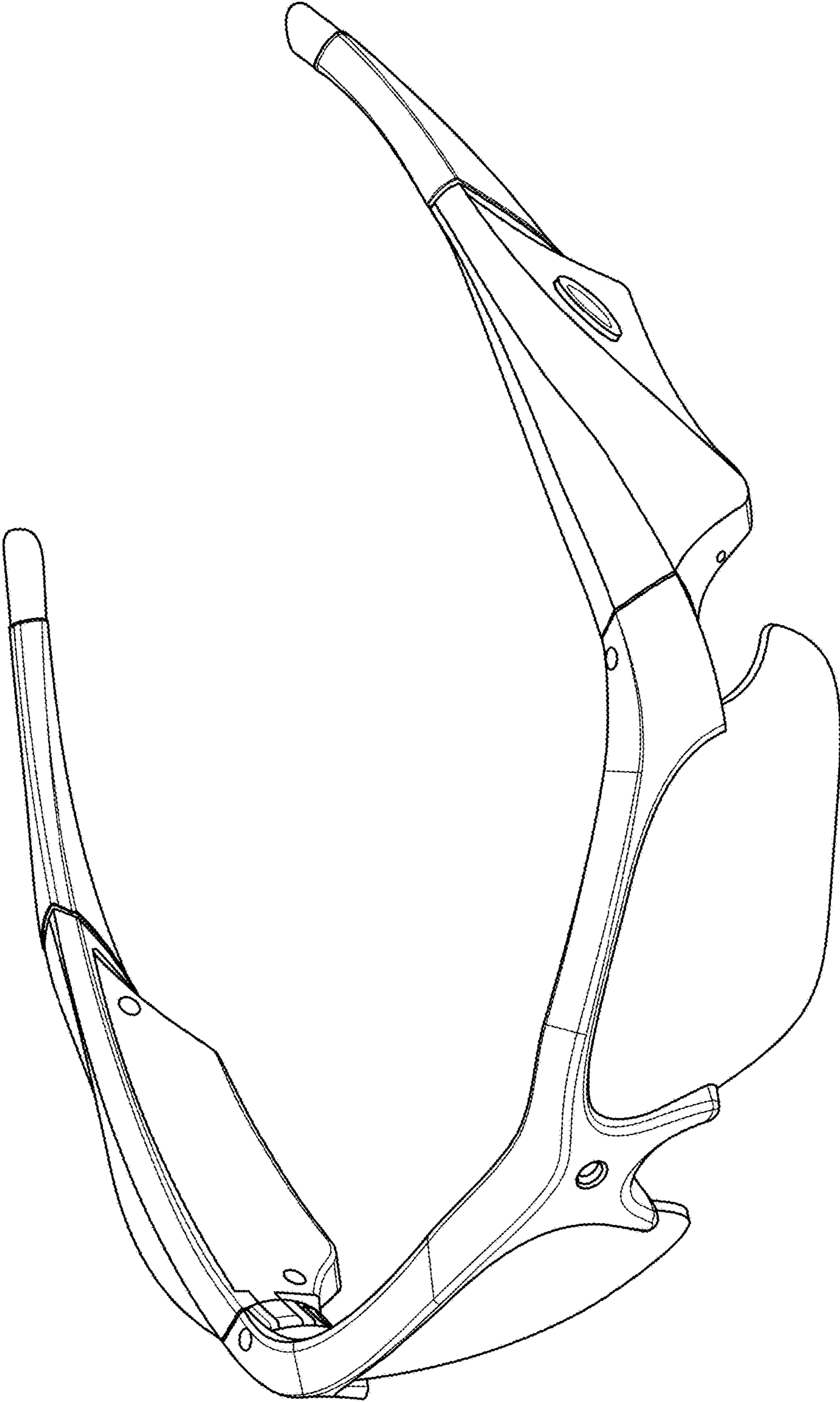


FIG. 1

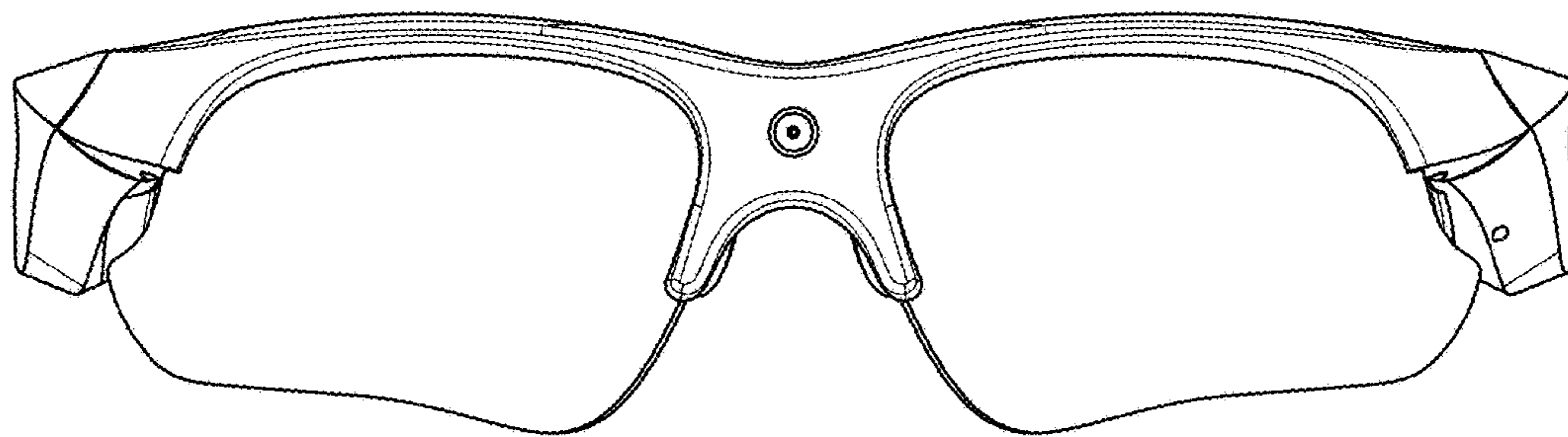


FIG. 2

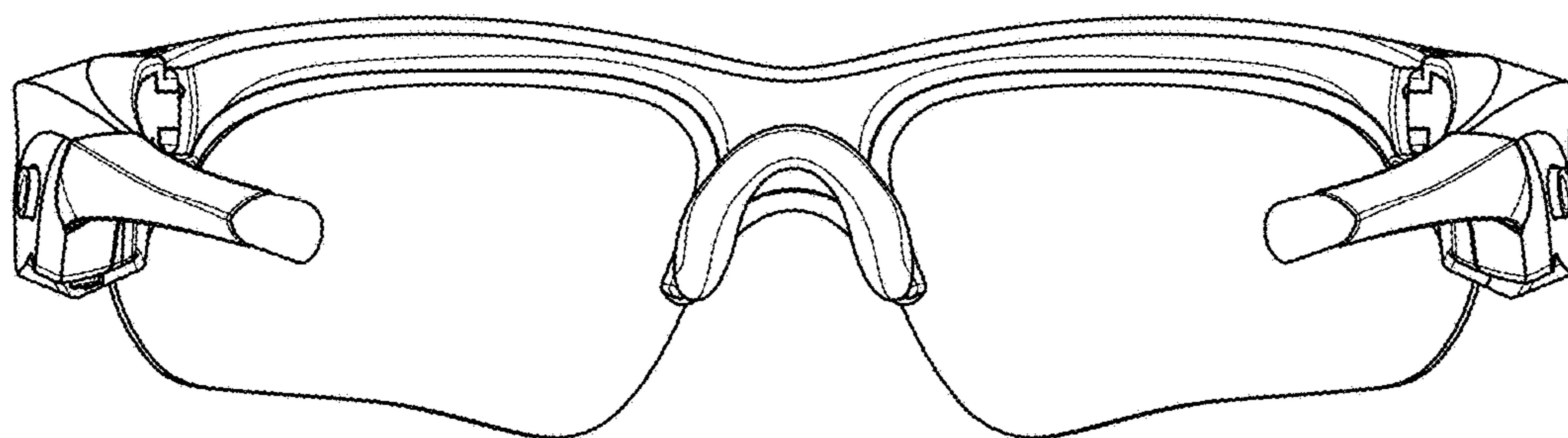


FIG. 3

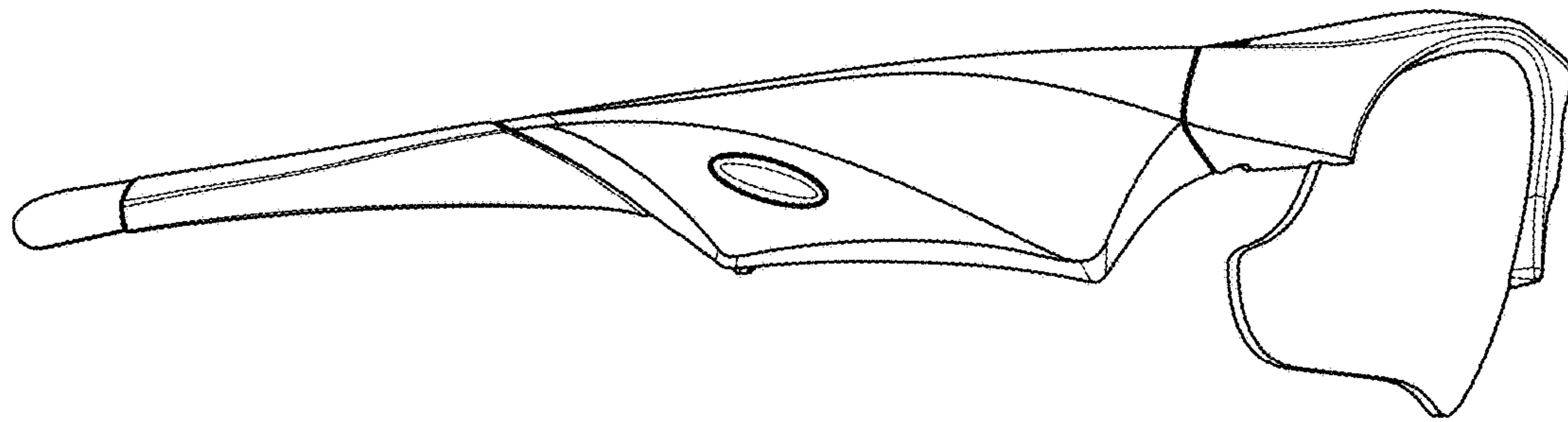


FIG. 4

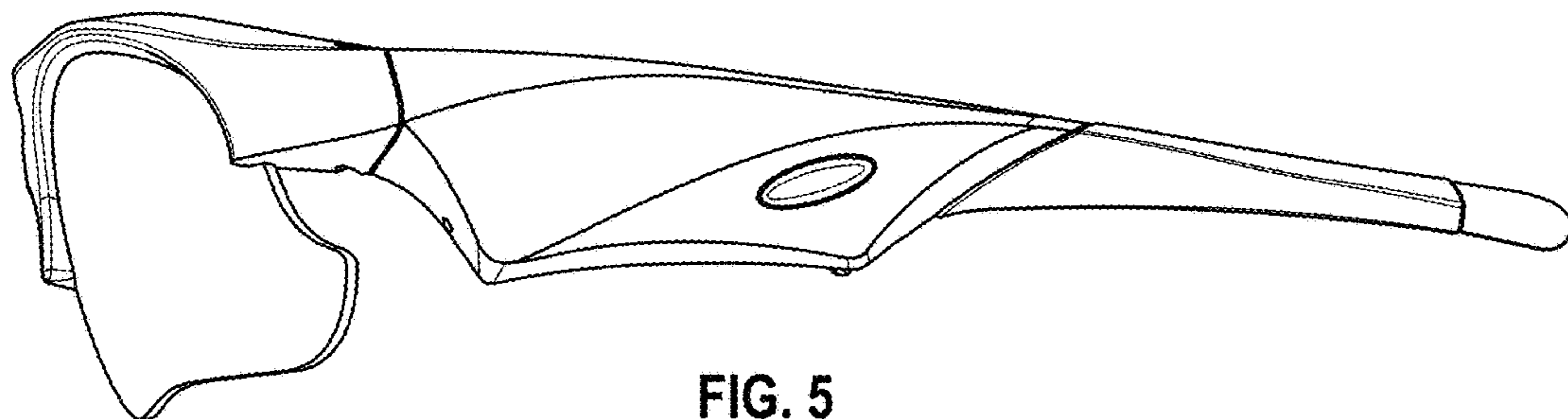


FIG. 5

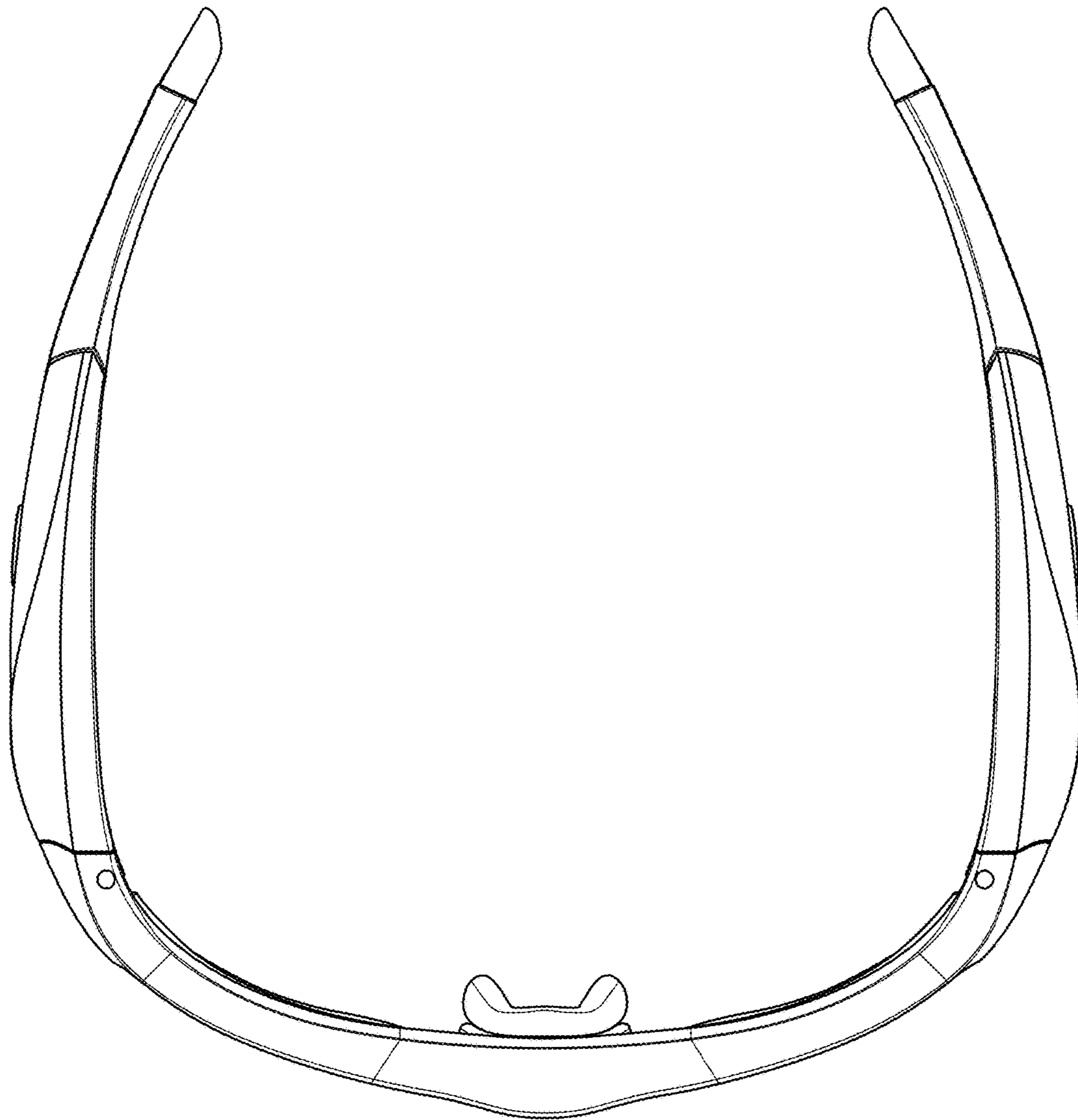


FIG. 6

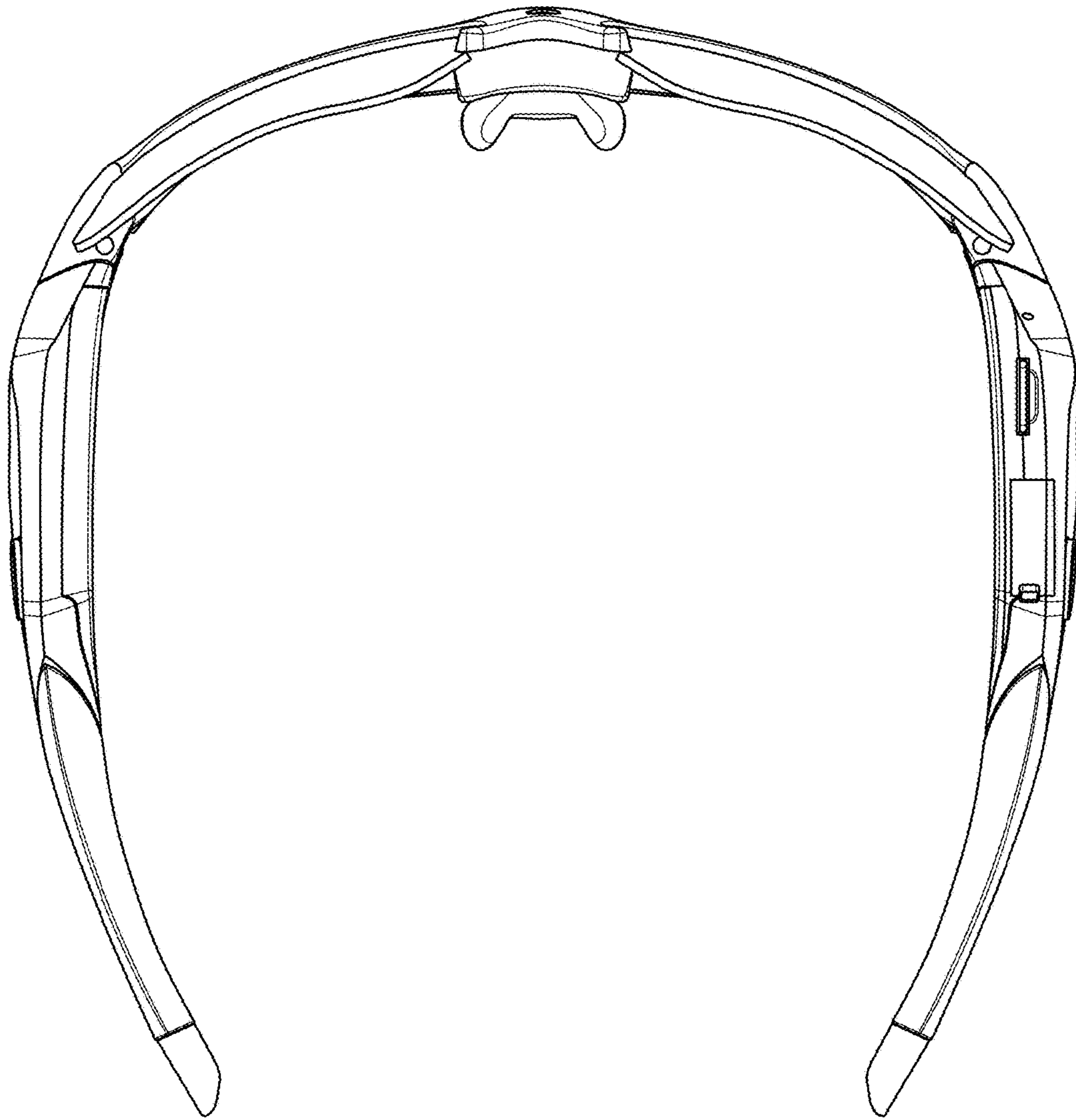


FIG. 7

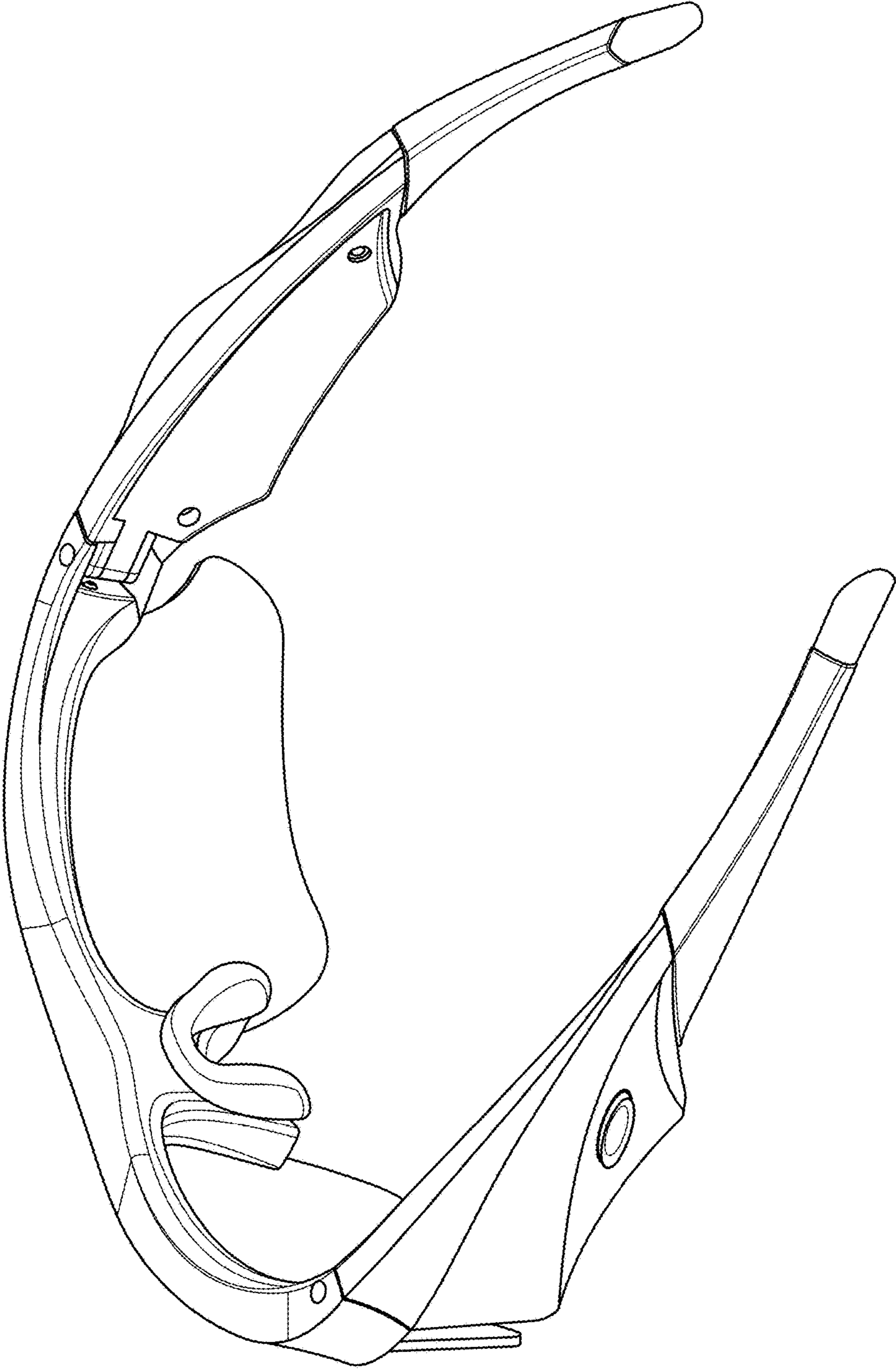


FIG. 8

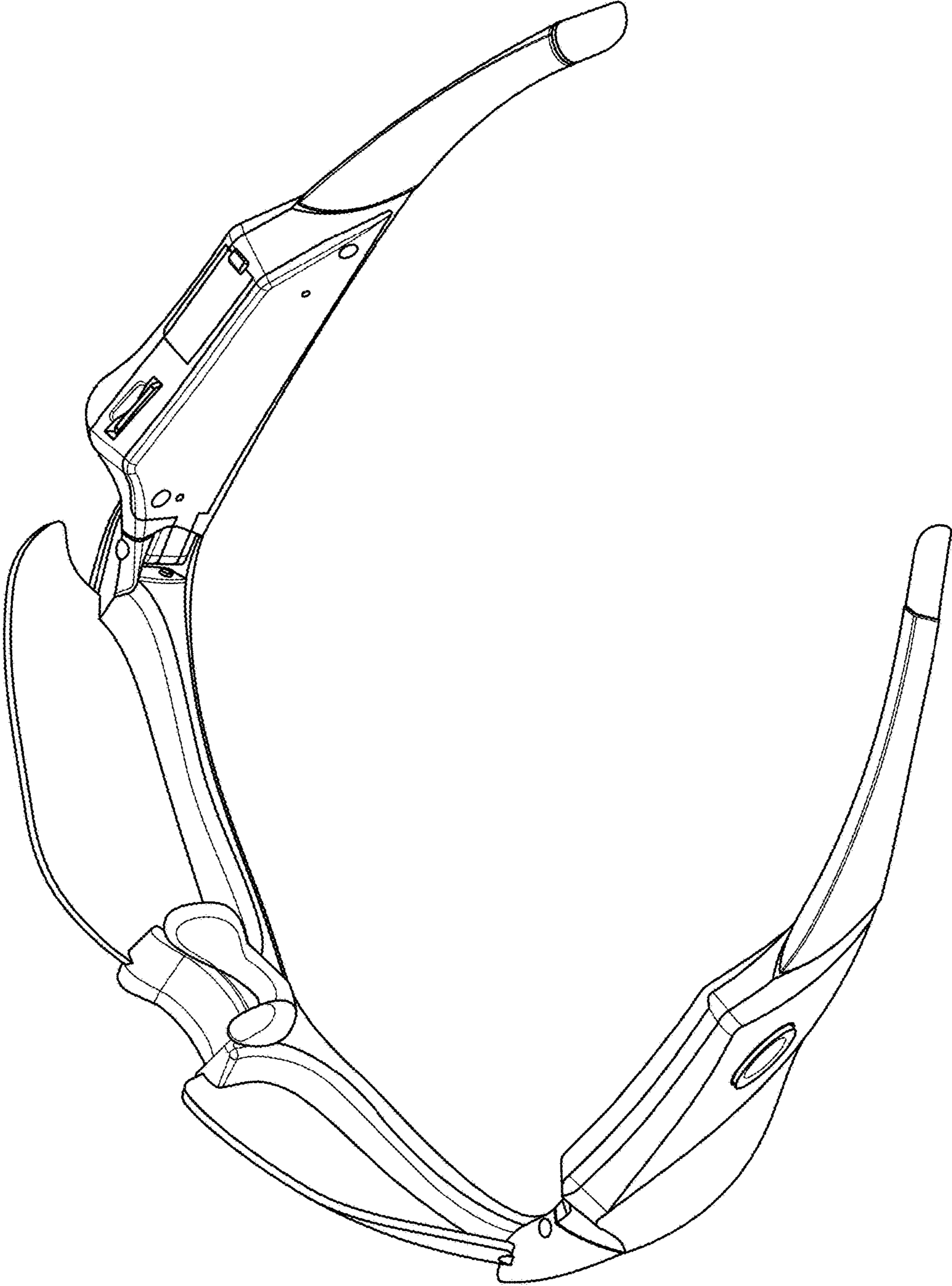


FIG. 9