



US00D785074S

(12) **United States Design Patent** (10) **Patent No.:** **US D785,074 S**  
**Woodman et al.** (45) **Date of Patent:** **\*\* Apr. 25, 2017**

(54) **CAMERA MOUNTABLE ARM**

(71) Applicant: **GoPro, Inc.**, San Mateo, CA (US)

(72) Inventors: **Nicholas D. Woodman**, Woodside, CA (US); **Rudy Lucas Samuels**, Mill Valley, CA (US); **Joshua Todd Druker**, Redwood City, CA (US)

(73) Assignee: **GoPro, Inc.**, San Mateo, CA (US)

(\*\*) Term: **15 Years**

(21) Appl. No.: **29/547,340**

(22) Filed: **Dec. 3, 2015**

**Related U.S. Application Data**

(63) Continuation of application No. 29/511,943, filed on Dec. 15, 2014, now Pat. No. Des. 746,353.

(51) **LOC (10) Cl.** ..... **16-05**

(52) **U.S. Cl.**  
USPC ..... **D16/243**

(58) **Field of Classification Search**  
USPC ..... D14/452; D16/237, 242, 243, 244, 245; 248/276.1, 281.11, 284.1, 584; 348/373,  
(Continued)

(56) **References Cited**

**U.S. PATENT DOCUMENTS**

3,508,482 A \* 4/1970 Taylor ..... G03B 17/02  
352/243  
4,091,402 A \* 5/1978 Siegel ..... G03B 15/041  
362/3

(Continued)

**OTHER PUBLICATIONS**

<https://www.youtube.com/watch?v=ShPBMUaeWxY>, Posted Aug. 21, 2014.\*

(Continued)

*Primary Examiner* — Rosemary K Tarcza

*Assistant Examiner* — Leanne Was-Englehart

(74) *Attorney, Agent, or Firm* — Fenwick & West LLP

(57) **CLAIM**

The ornamental design for a camera mountable arm, as shown and described.

**DESCRIPTION**

This application is related to pending U.S. patent application Ser. No. 14/054,640, filed Oct. 15, 2013, the contents of which are incorporated by reference herein in its entirety.

FIG. 1 is a front top right perspective view of a camera mountable arm in an extended configuration;

FIG. 2 is a rear top left perspective view thereof;

FIG. 3 is a rear bottom left perspective view thereof;

FIG. 4 is a left view thereof;

FIG. 5 is a right view thereof;

FIG. 6 is a rear view thereof;

FIG. 7 is a front view thereof;

FIG. 8 is a top view thereof;

FIG. 9 is a bottom view thereof;

FIG. 10 is a rear top left perspective view of the camera mountable arm of FIG. 1 in a folded configuration;

FIG. 11 is a left view thereof;

FIG. 12 is a right view thereof;

FIG. 13 is a rear view thereof;

FIG. 14 is a front view thereof;

FIG. 15 is a top view thereof;

FIG. 16 is a bottom view thereof;

FIG. 17 is a rear top left perspective view of a first component of the camera mountable arm of FIG. 1;

FIG. 18 is a front bottom right perspective view thereof;

FIG. 19 is a left view thereof;

FIG. 20 is a right view thereof;

FIG. 21 is a rear view thereof;

FIG. 22 is a front view thereof;

FIG. 23 is a top view thereof;

FIG. 24 is a bottom view thereof;

FIG. 25 is a rear top left perspective view of a second component of the camera mountable arm of FIG. 1;

FIG. 26 is a front bottom right perspective view thereof;

FIG. 27 is a left view thereof;

(Continued)

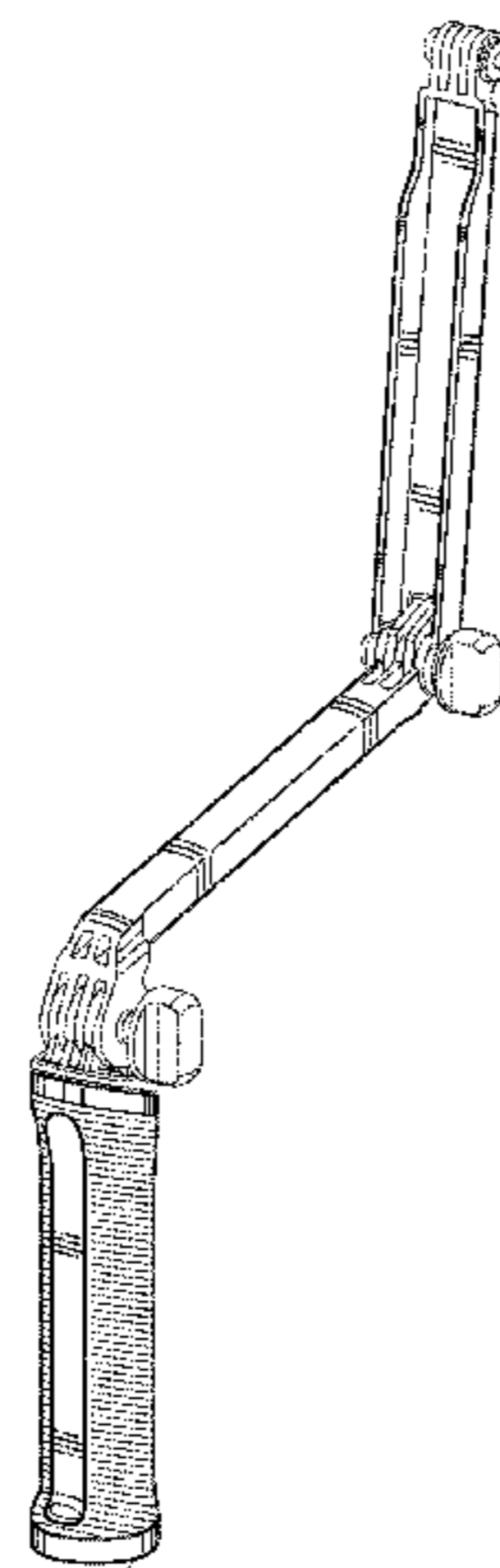


FIG. 28 is a right view thereof;  
 FIG. 29 is a front view thereof;  
 FIG. 30 is a rear view thereof;  
 FIG. 31 is a top view thereof;  
 FIG. 32 is a bottom view thereof;  
 FIG. 33 is a front bottom and left perspective view of a third component of the camera mountable arm of FIG. 1;  
 FIG. 34 is a rear top and right perspective view thereof;  
 FIG. 35 is a left view thereof;  
 FIG. 36 is a right view thereof;  
 FIG. 37 is a rear view thereof;  
 FIG. 38 is a front view thereof;  
 FIG. 39 is a top view thereof; and,  
 FIG. 40 is a bottom view thereof.  
 The broken lines in the drawing depict portions of the camera mounted arm that form no part of the claimed design.

|              |      |         |                 |                       |
|--------------|------|---------|-----------------|-----------------------|
| 5,400,234    | A    | 3/1995  | Yu              |                       |
| D515,613     | S *  | 2/2006  | Holmes          | 396/428               |
| D577,729     | S *  | 9/2008  | Derry           | D14/452               |
| D577,731     | S *  | 9/2008  | Altonji         | D14/452               |
| 7,494,291    | B2   | 2/2009  | Saxton          |                       |
| 8,014,656    | B2   | 9/2011  | Woodman         |                       |
| 9,004,783    | B1 * | 4/2015  | Woodman         | F16M 11/00<br>396/419 |
| D746,353     | S *  | 12/2015 | Woodman         | D16/242               |
| 9,204,021    | B2   | 12/2015 | Woodman et al.  |                       |
| 9,316,346    | B2 * | 4/2016  | Lau             | F16M 11/126           |
| 9,369,614    | B2   | 6/2016  | Woodman et al.  |                       |
| 2004/0223752 | A1   | 11/2004 | Ghanouni et al. |                       |
| 2006/0257137 | A1   | 11/2006 | Fromm           |                       |
| 2008/0117328 | A1   | 5/2008  | Daoud et al.    |                       |
| 2008/0248703 | A1   | 10/2008 | Russell         |                       |
| 2010/0061711 | A1   | 3/2010  | Woodman         |                       |
| 2011/0042530 | A1   | 2/2011  | Phillips et al. |                       |
| 2011/0129210 | A1   | 6/2011  | McGucken        |                       |
| 2013/0186310 | A1   | 7/2013  | Lymberis        |                       |
| 2015/0189131 | A1 * | 7/2015  | Woodman         | F16M 11/00<br>348/373 |

**1 Claim, 40 Drawing Sheets**

(58) **Field of Classification Search**  
 USPC ..... 348/375, 376; 396/419, 420, 421, 422,  
 396/425, 428  
 CPC ... H04N 5/2251; G03B 17/561; G03B 17/563  
 See application file for complete search history.

(56) **References Cited**

U.S. PATENT DOCUMENTS

|           |     |        |       |                       |
|-----------|-----|--------|-------|-----------------------|
| 4,208,028 | A * | 6/1980 | Brown | F16M 13/04<br>224/185 |
| 4,733,259 | A   | 3/1988 | Ng    |                       |

OTHER PUBLICATIONS

<https://www.youtube.com/watch?v=2ZUCq3CNJNY>, Posted Jun. 2, 2014.\*  
 International Search Report and Written Opinion for International Application No. PCT/US2014/058465, Dec. 23, 2014, 17 pages.  
 Final Office Action for U.S. Appl. No. 14/926,321, Feb. 17, 2016, 11 pages.

\* cited by examiner

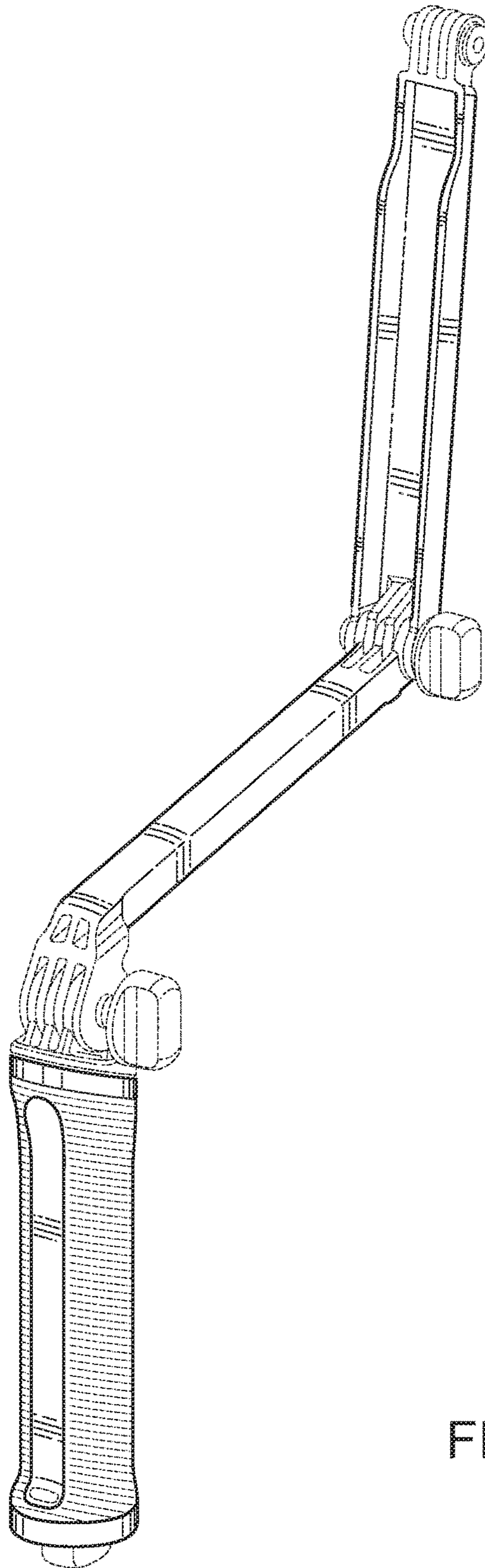


FIG. 1

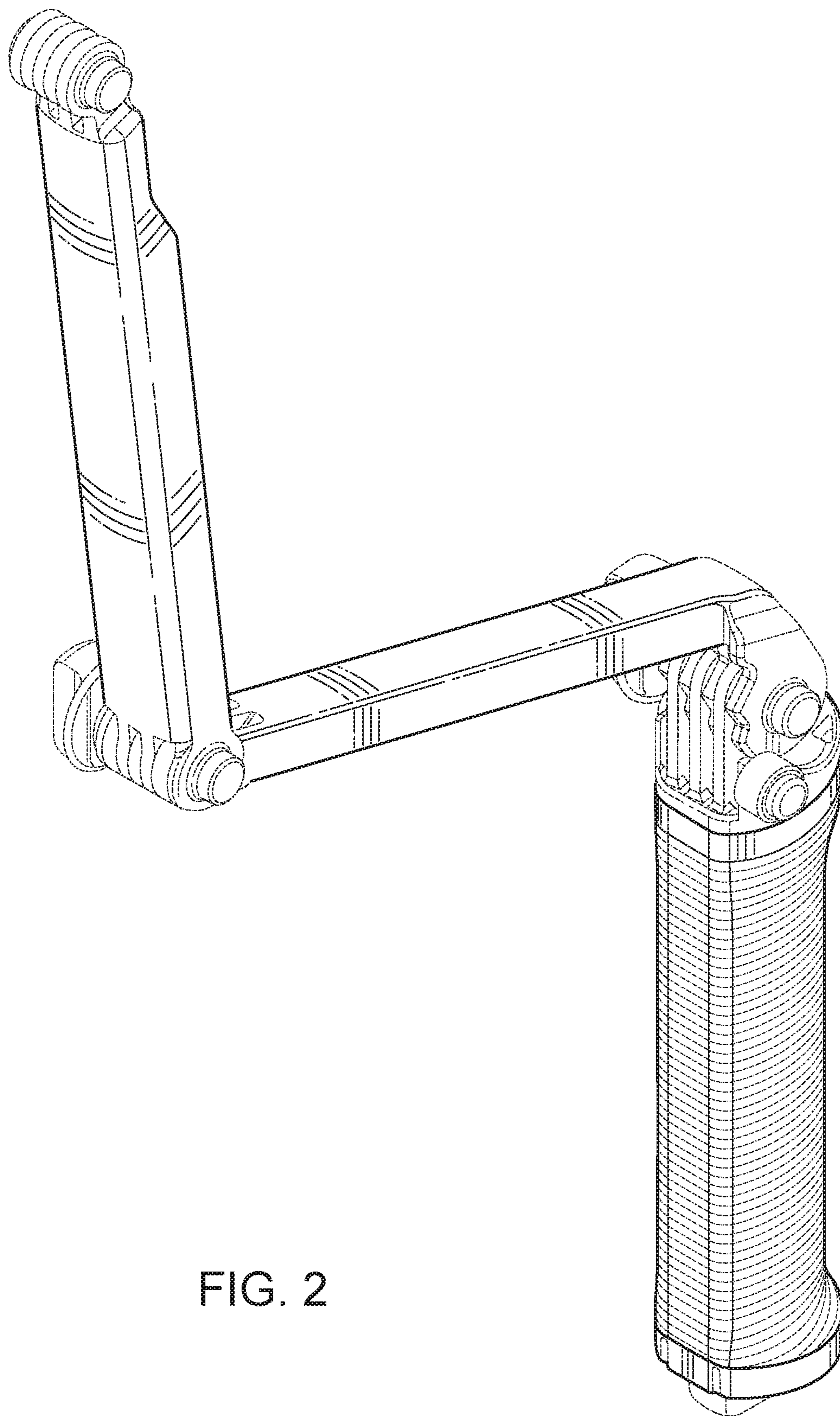


FIG. 2

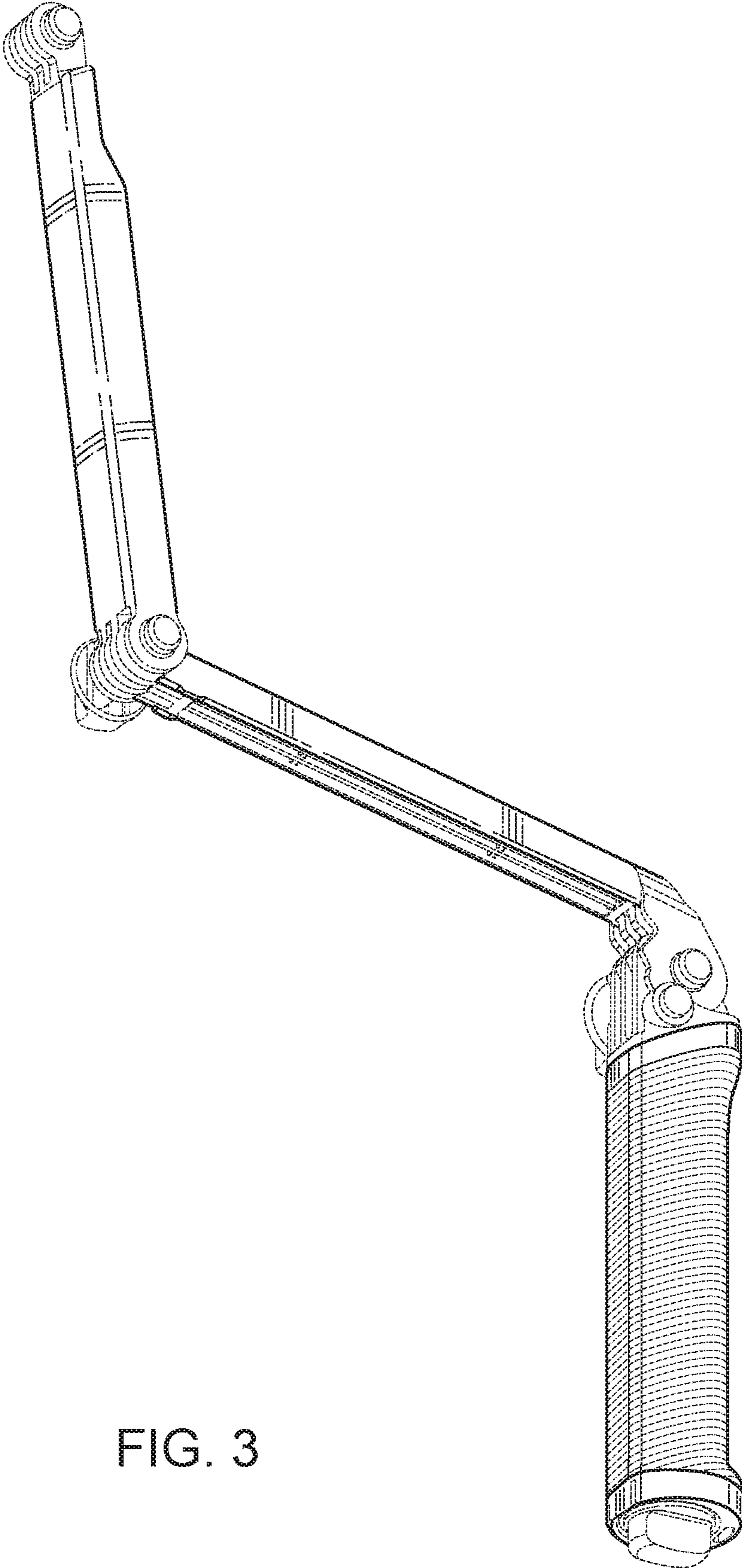


FIG. 3

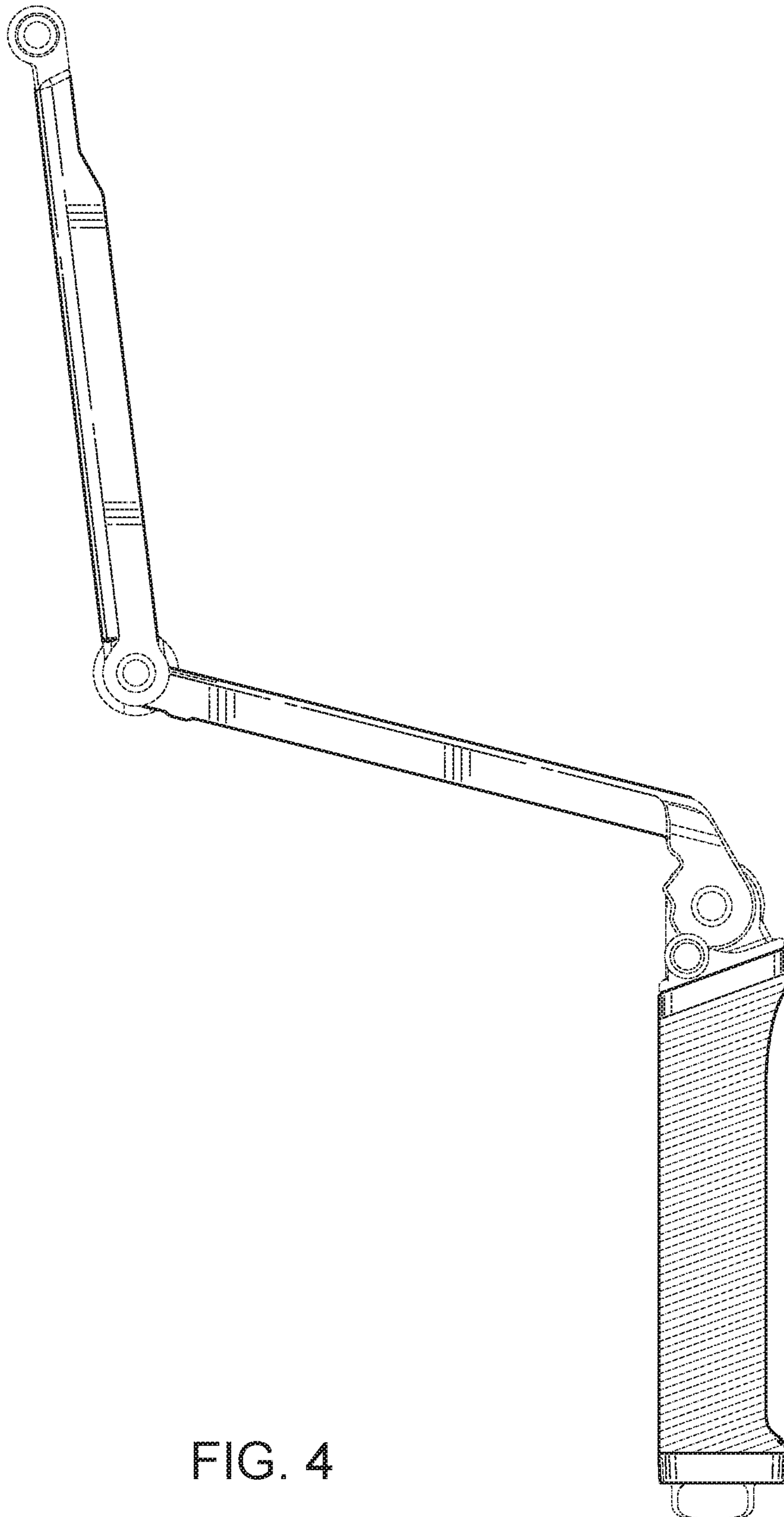


FIG. 4

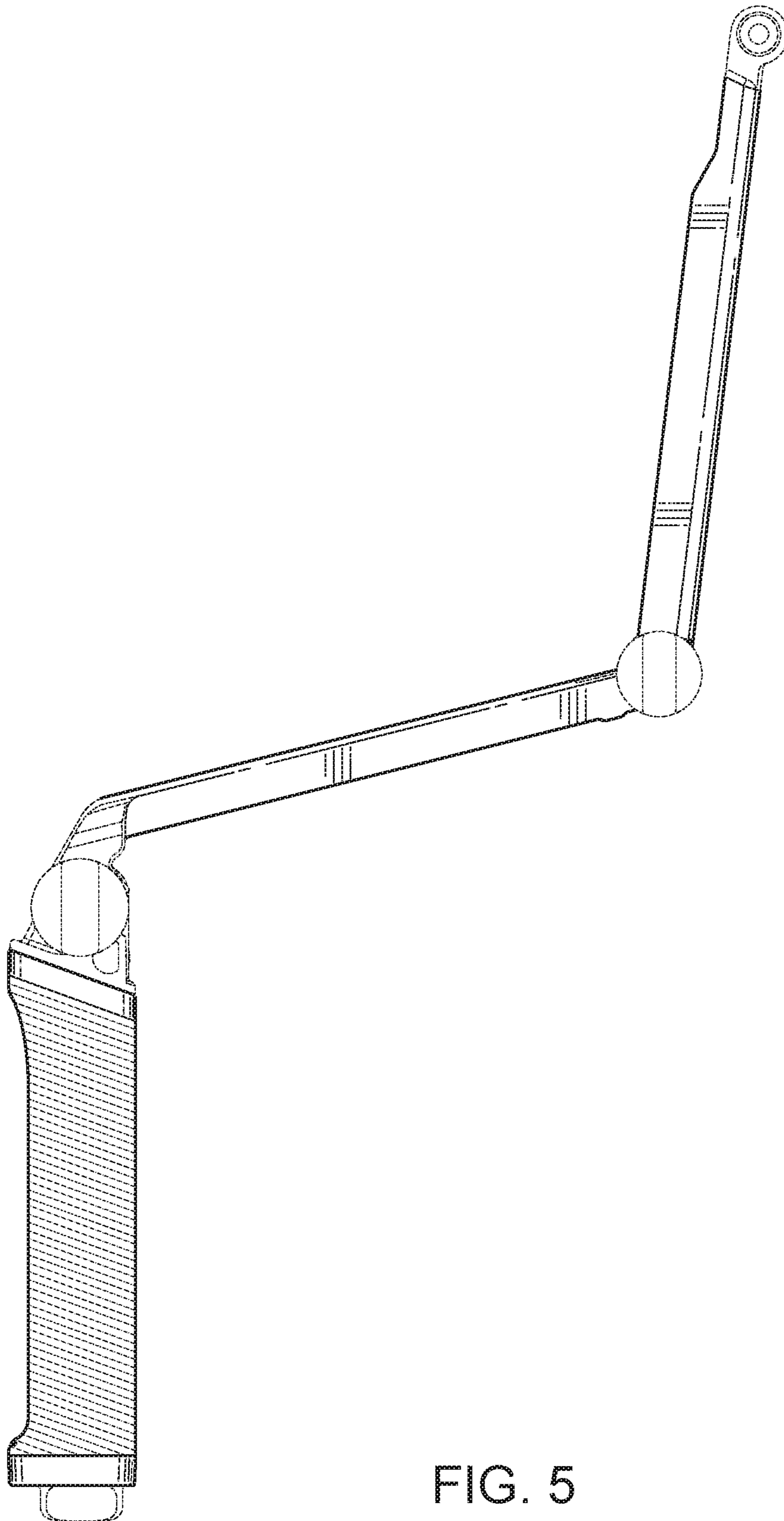


FIG. 5

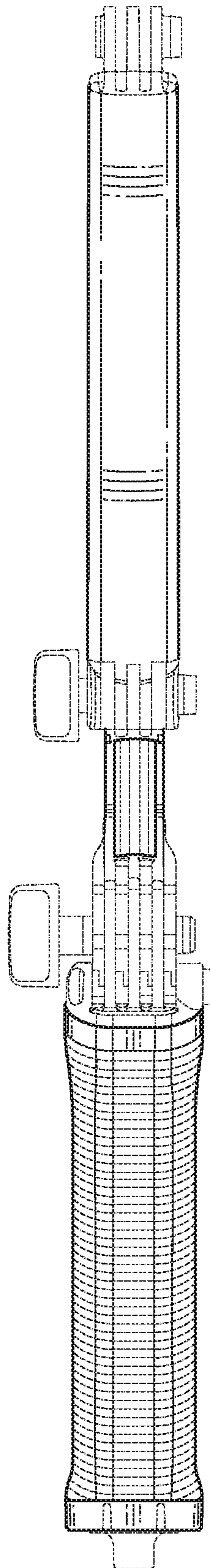


FIG. 6



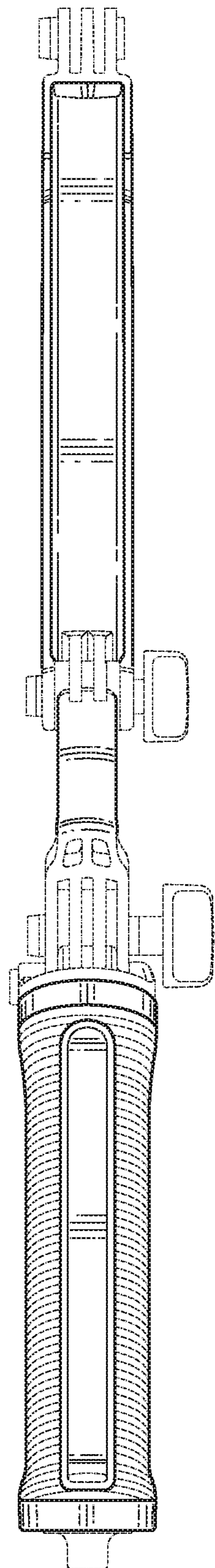


FIG. 7

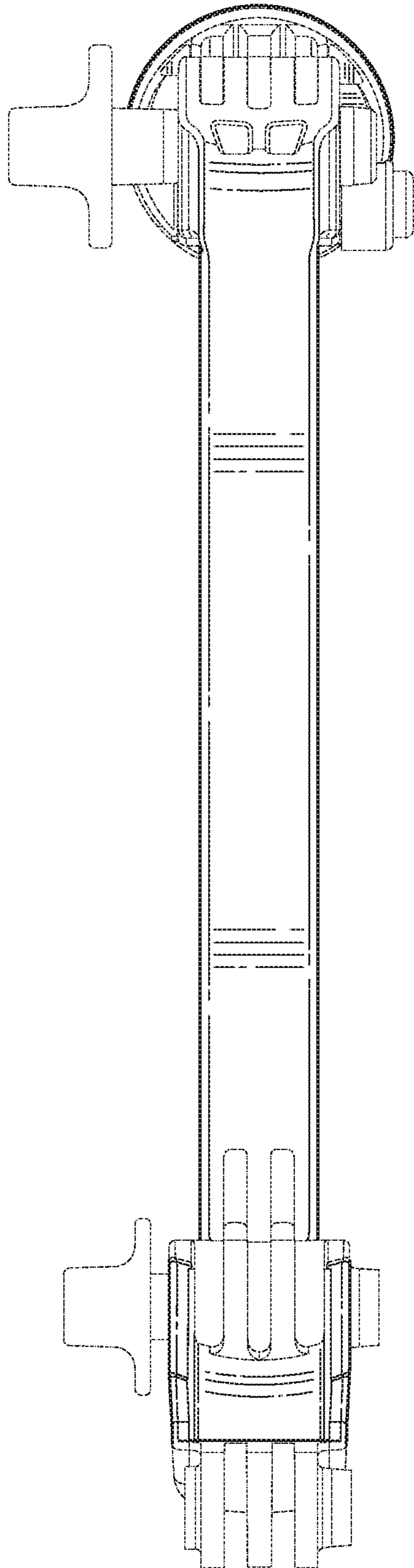


FIG. 8

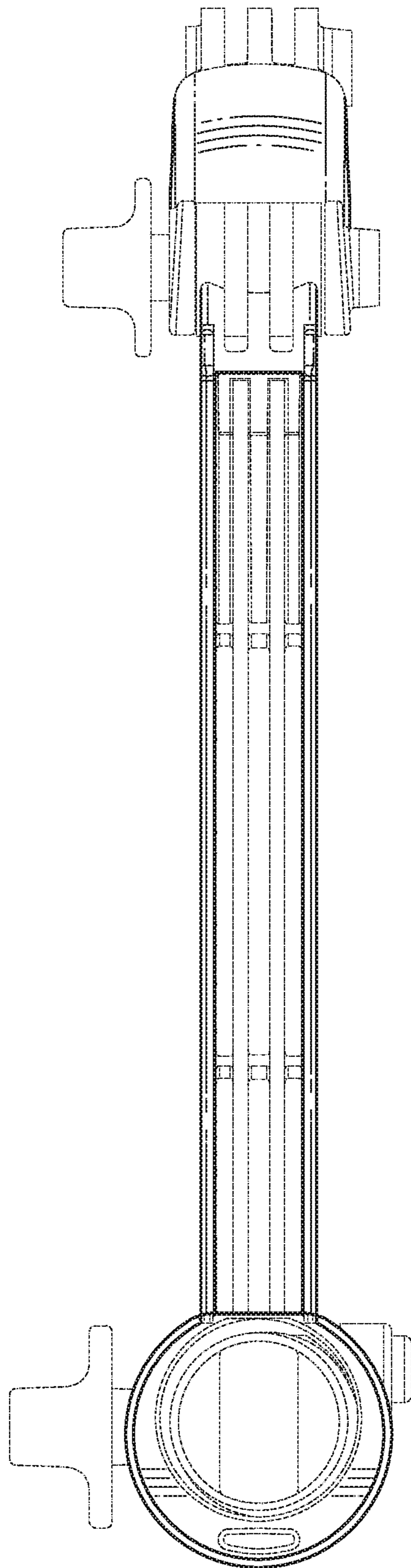


FIG. 9

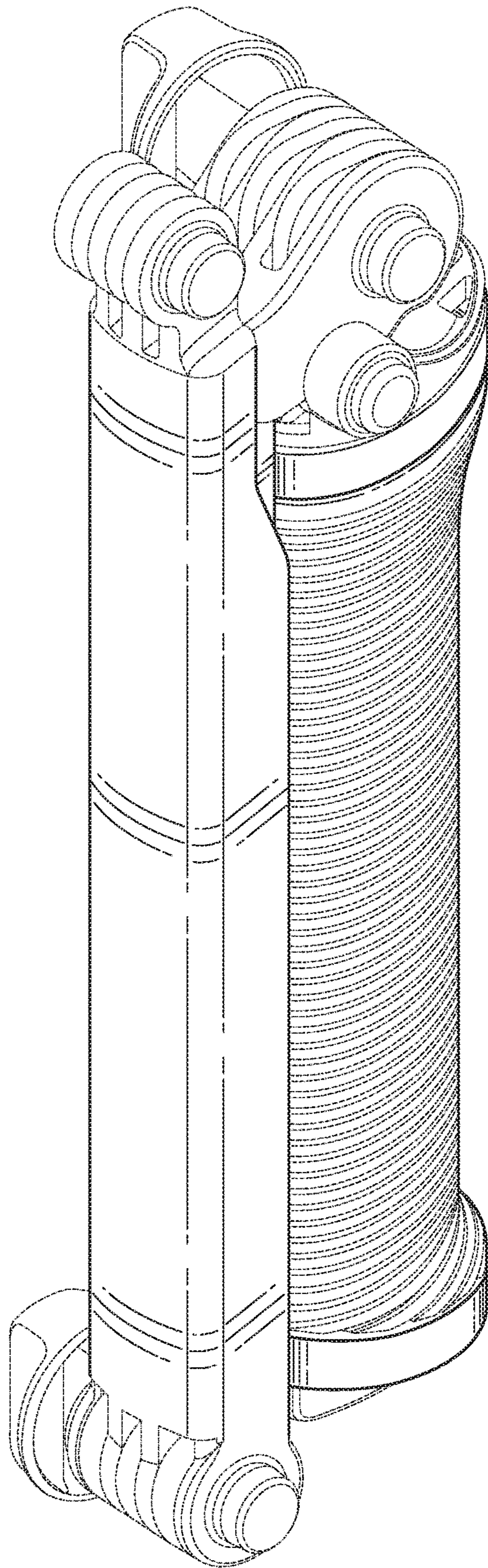


FIG. 10

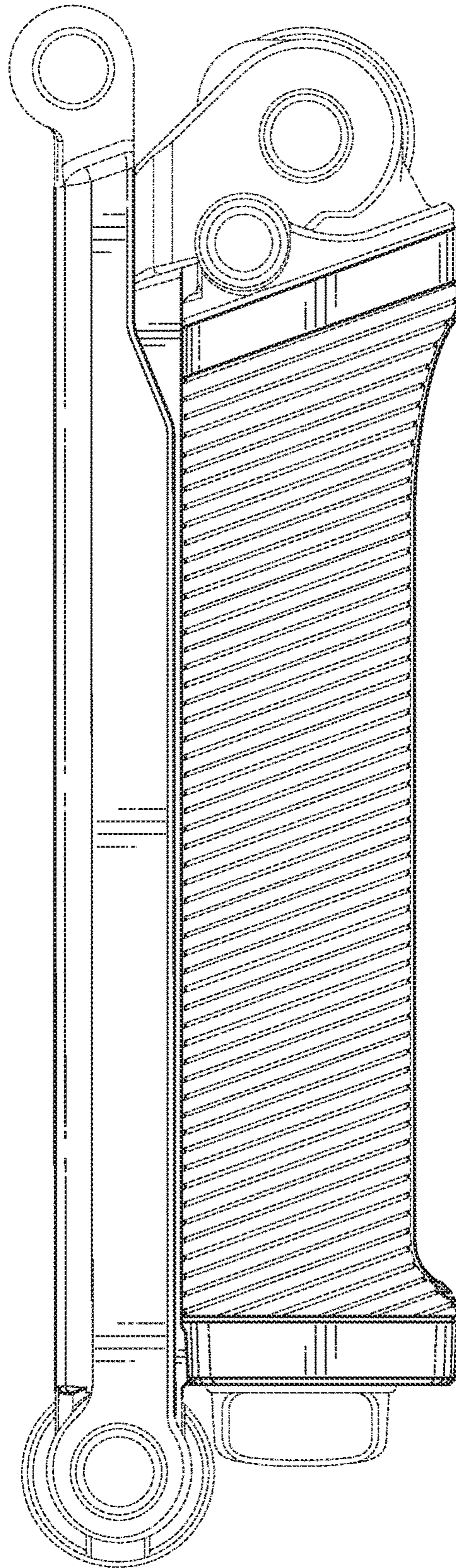


FIG. 11

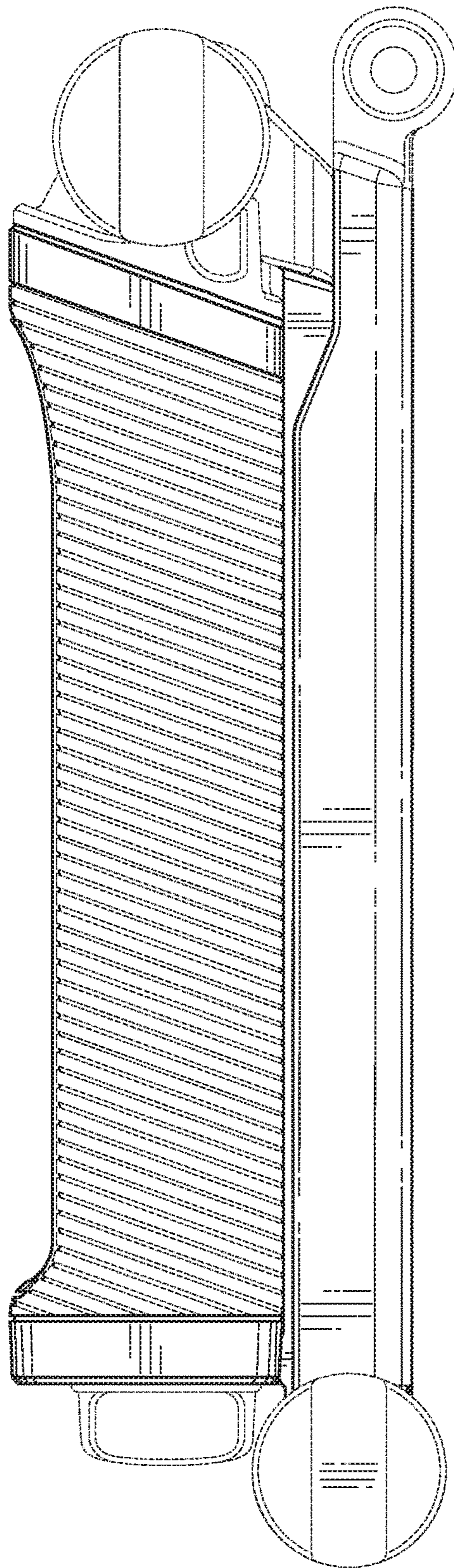


FIG. 12

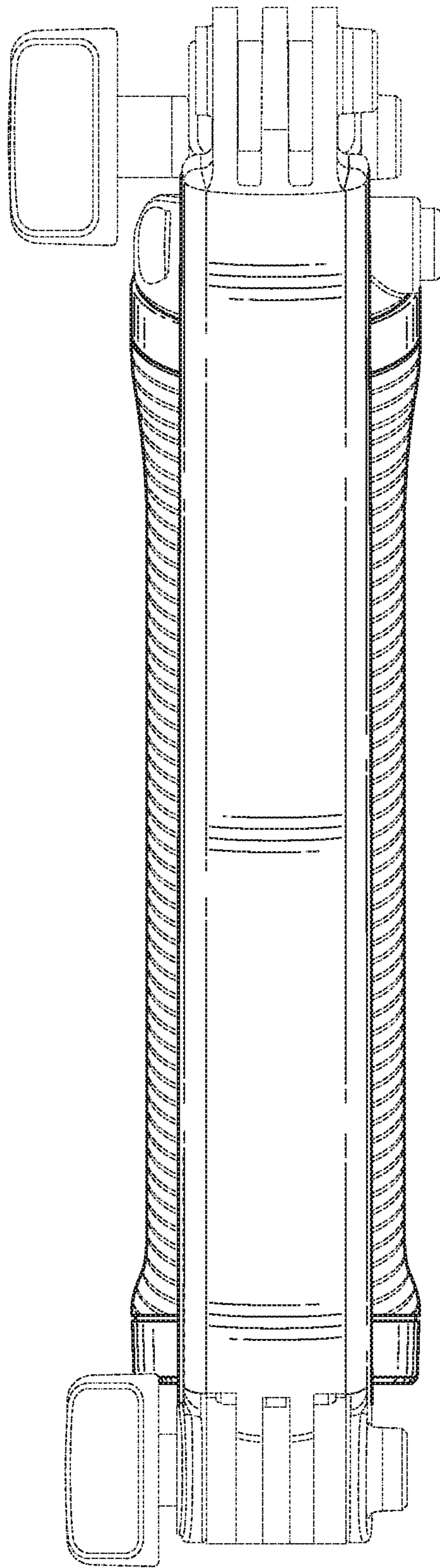


FIG. 13

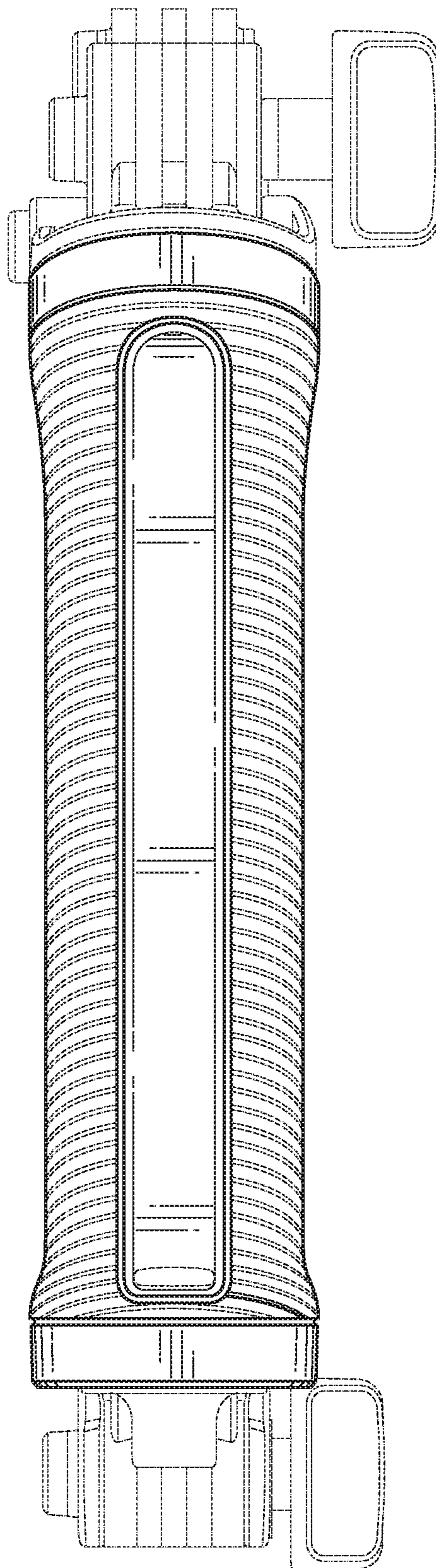


FIG. 14



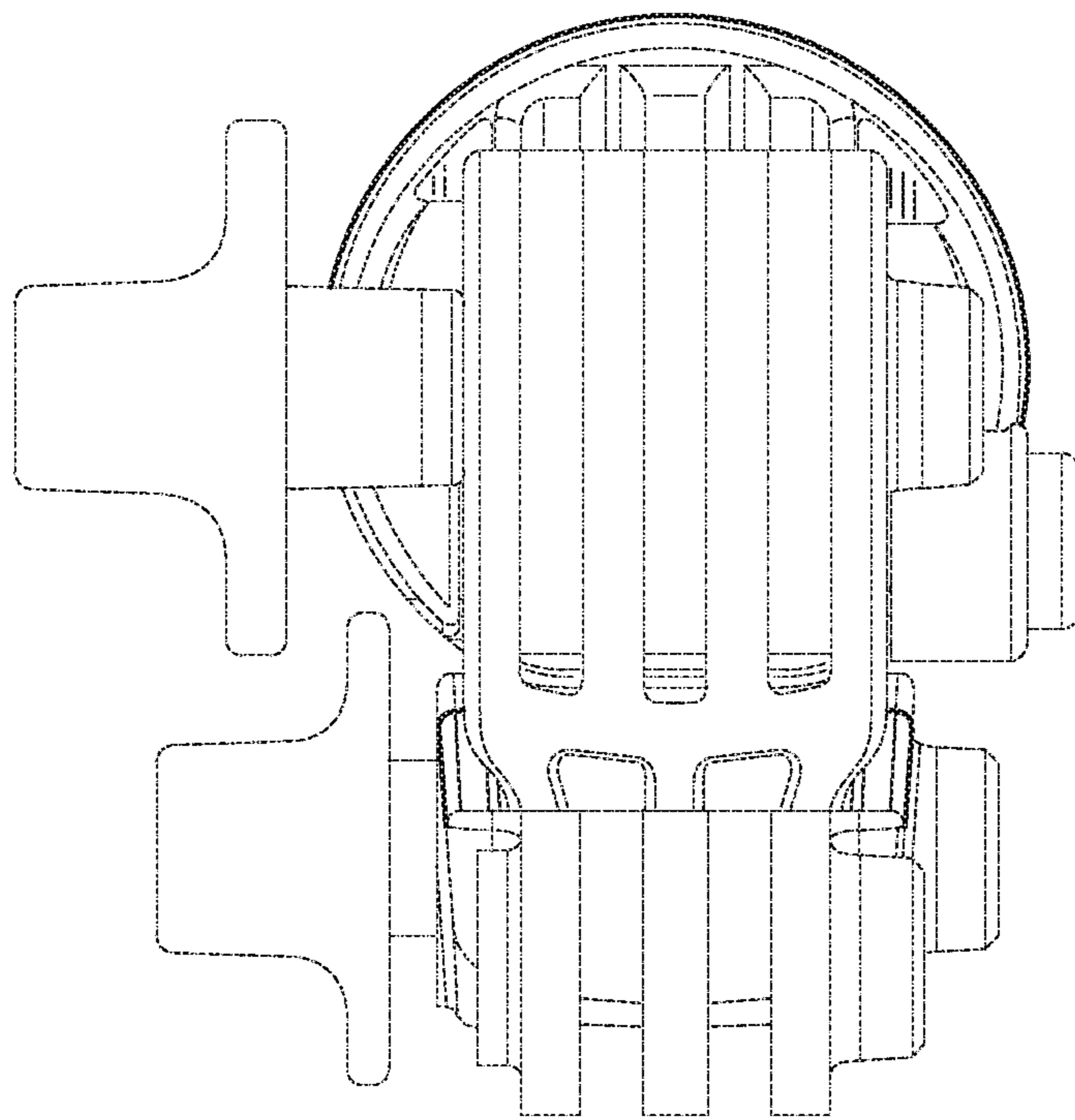


FIG. 15

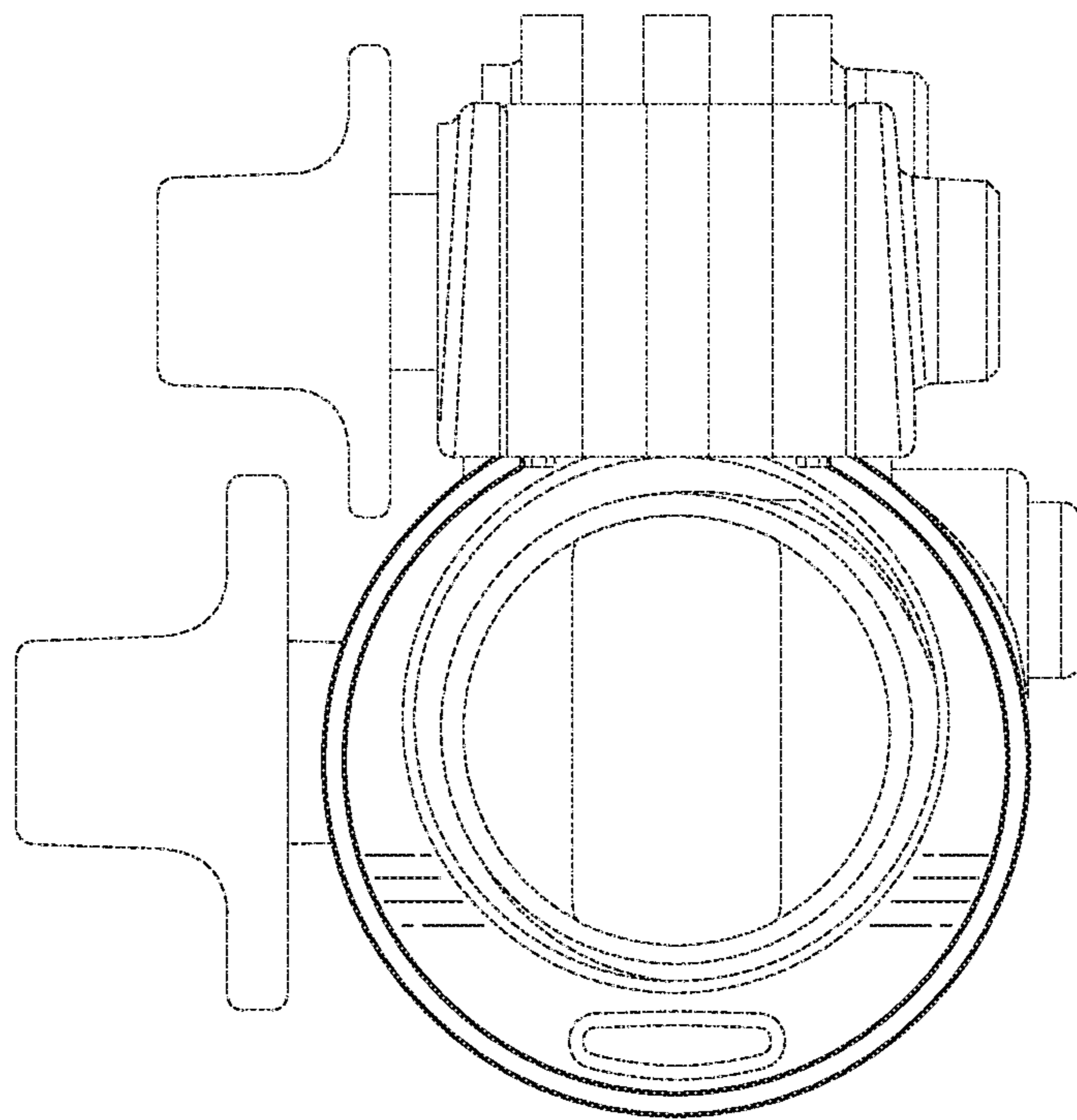


FIG. 16

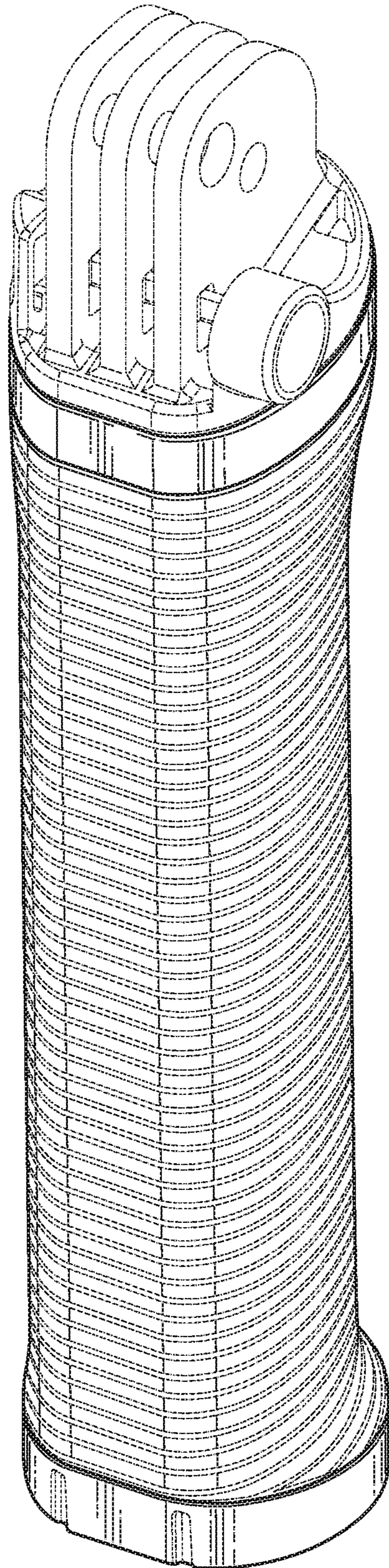


FIG. 17

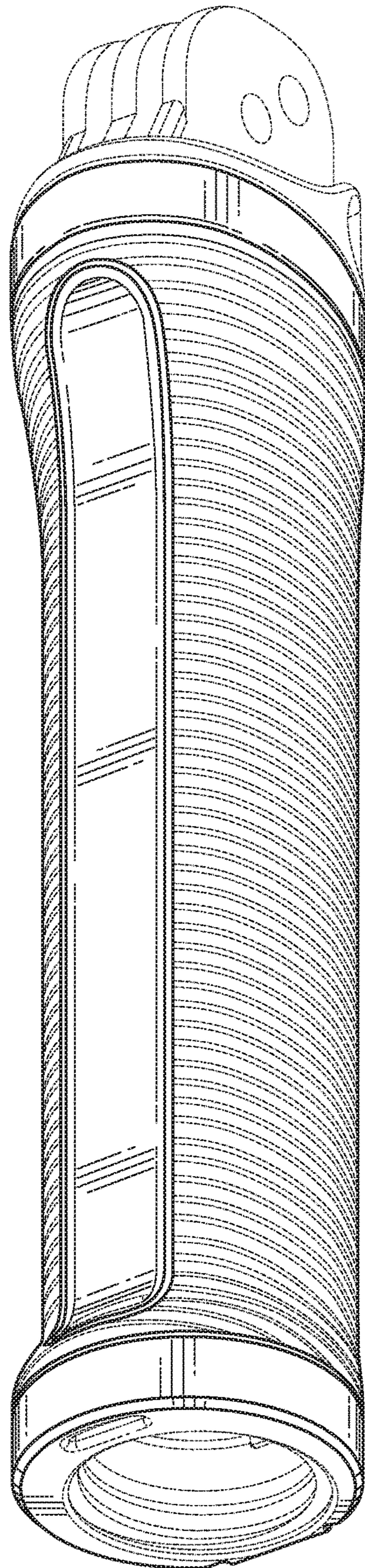


FIG. 18

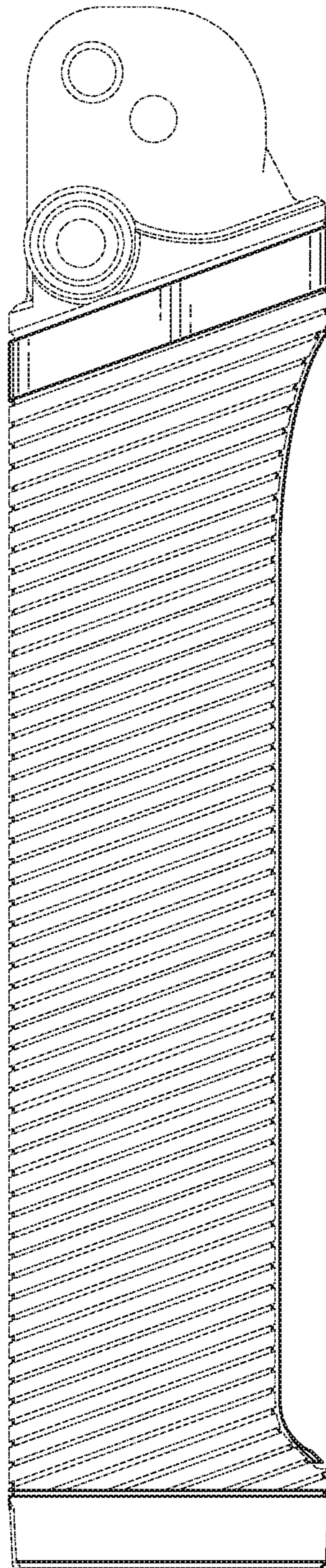


FIG. 19

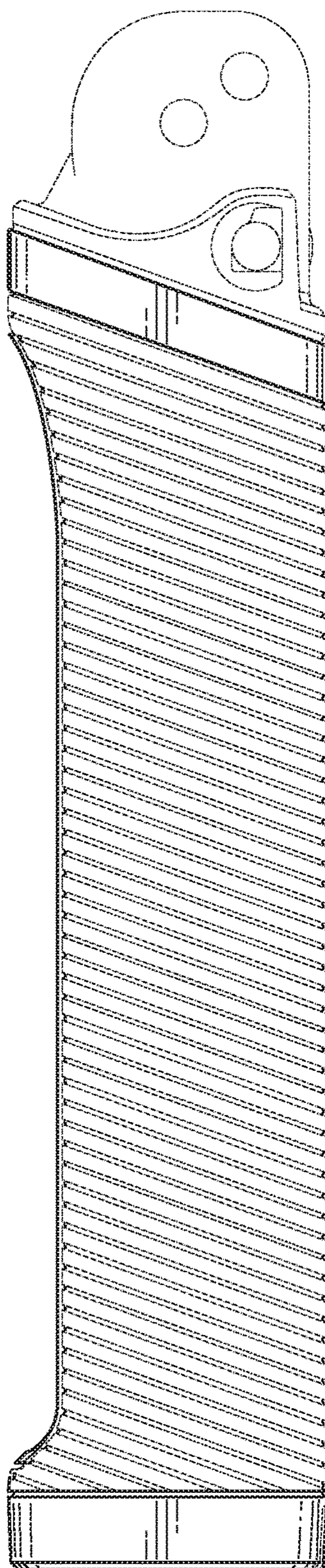


FIG. 20

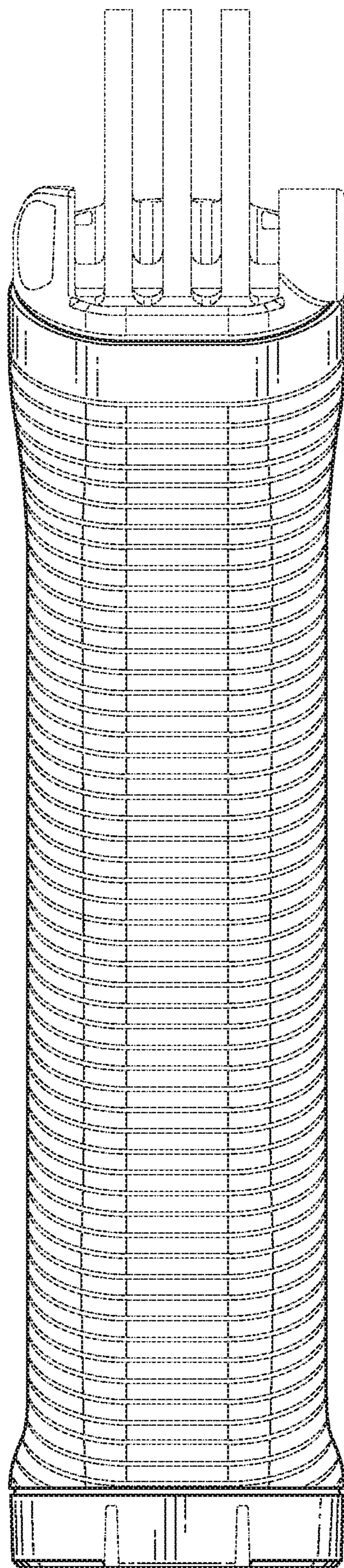


FIG. 21

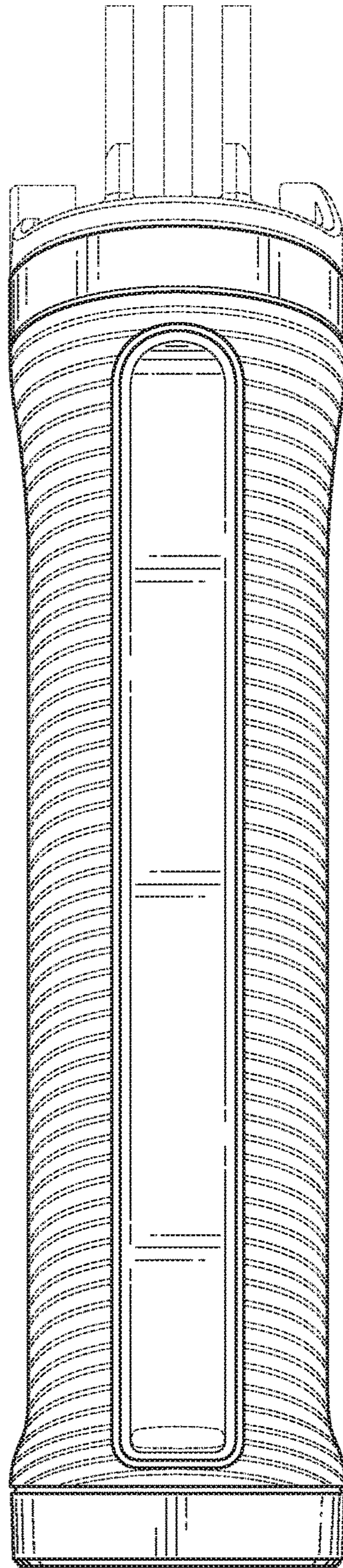


FIG. 22



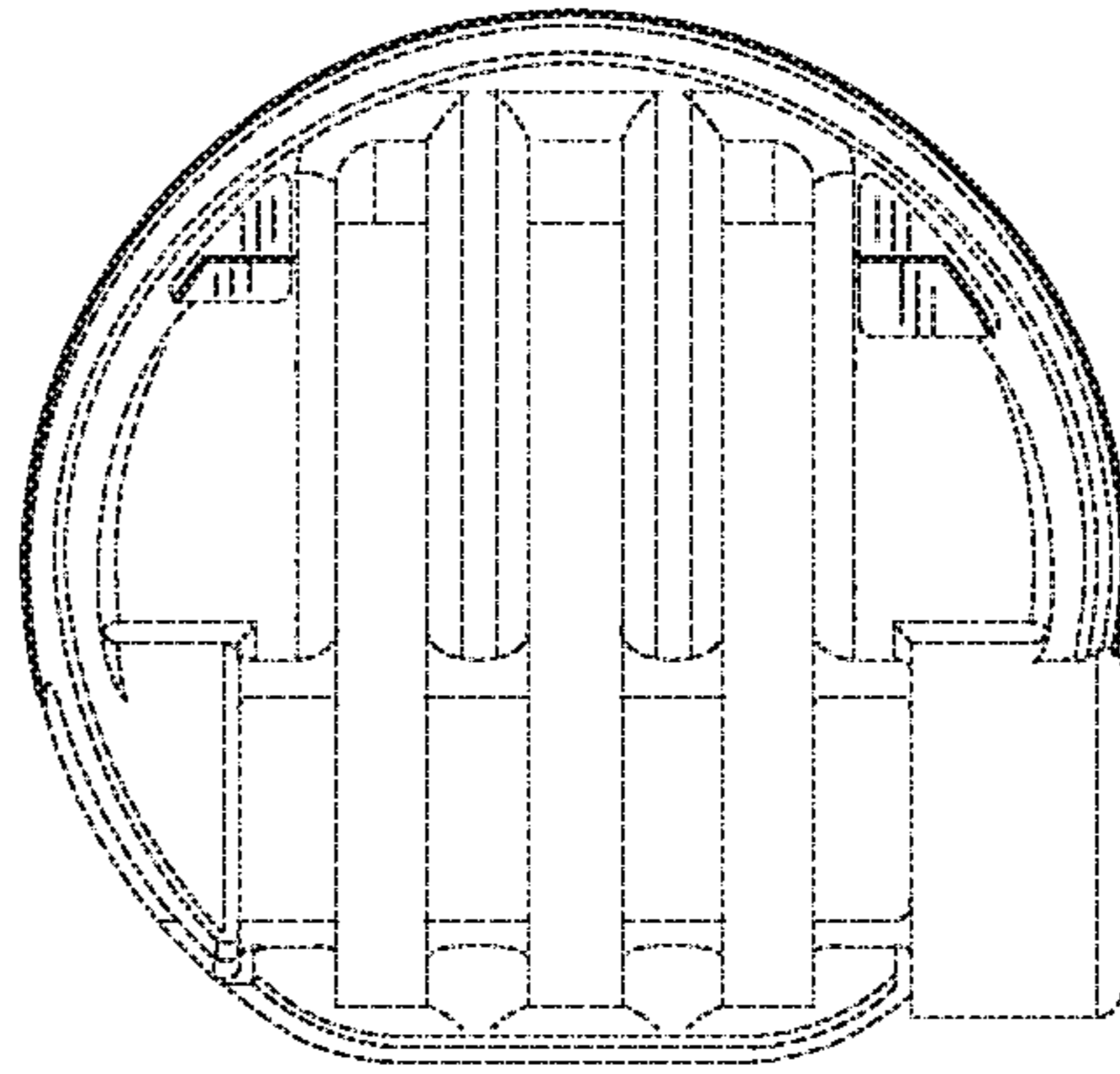


FIG. 23

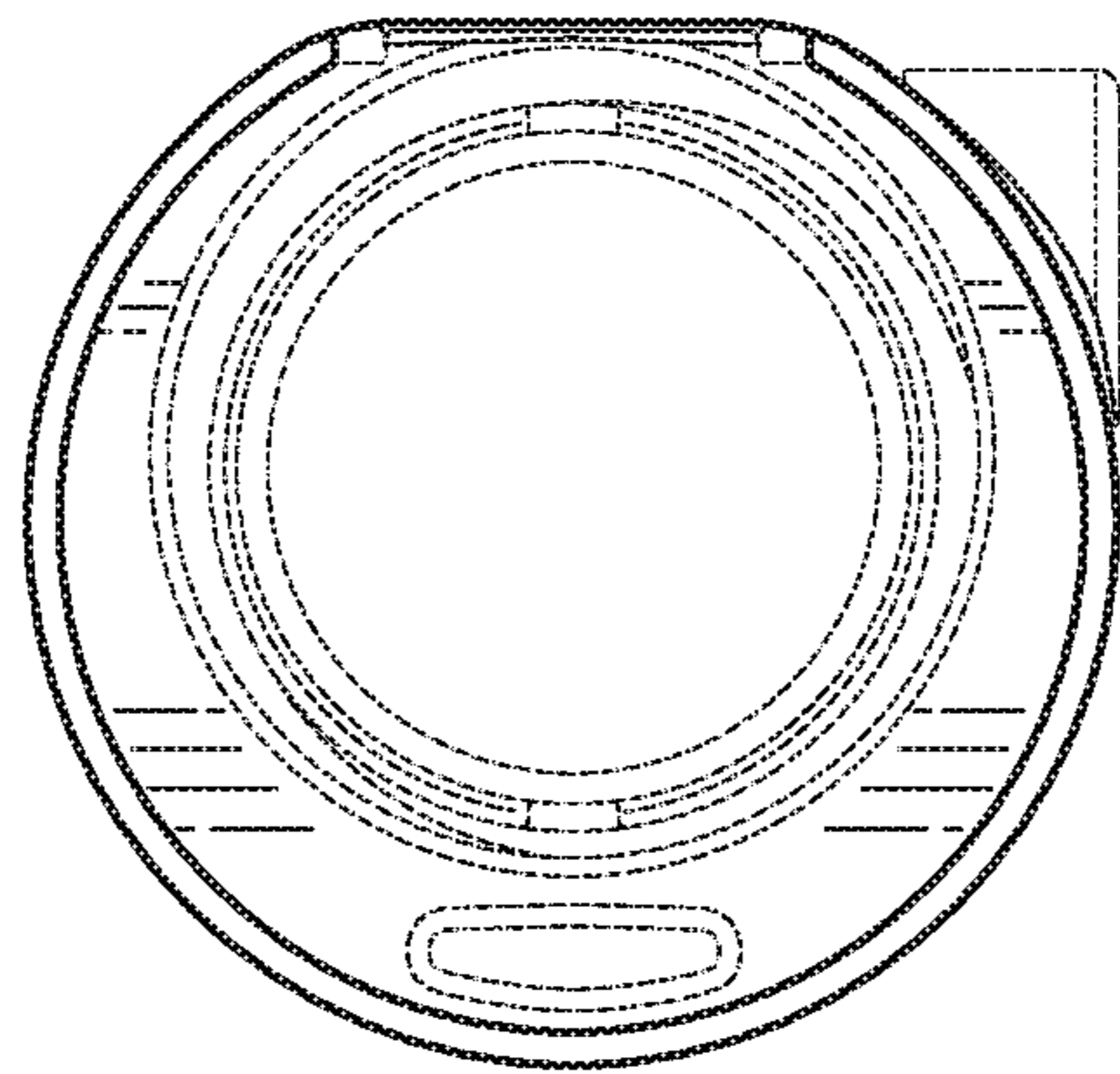


FIG. 24

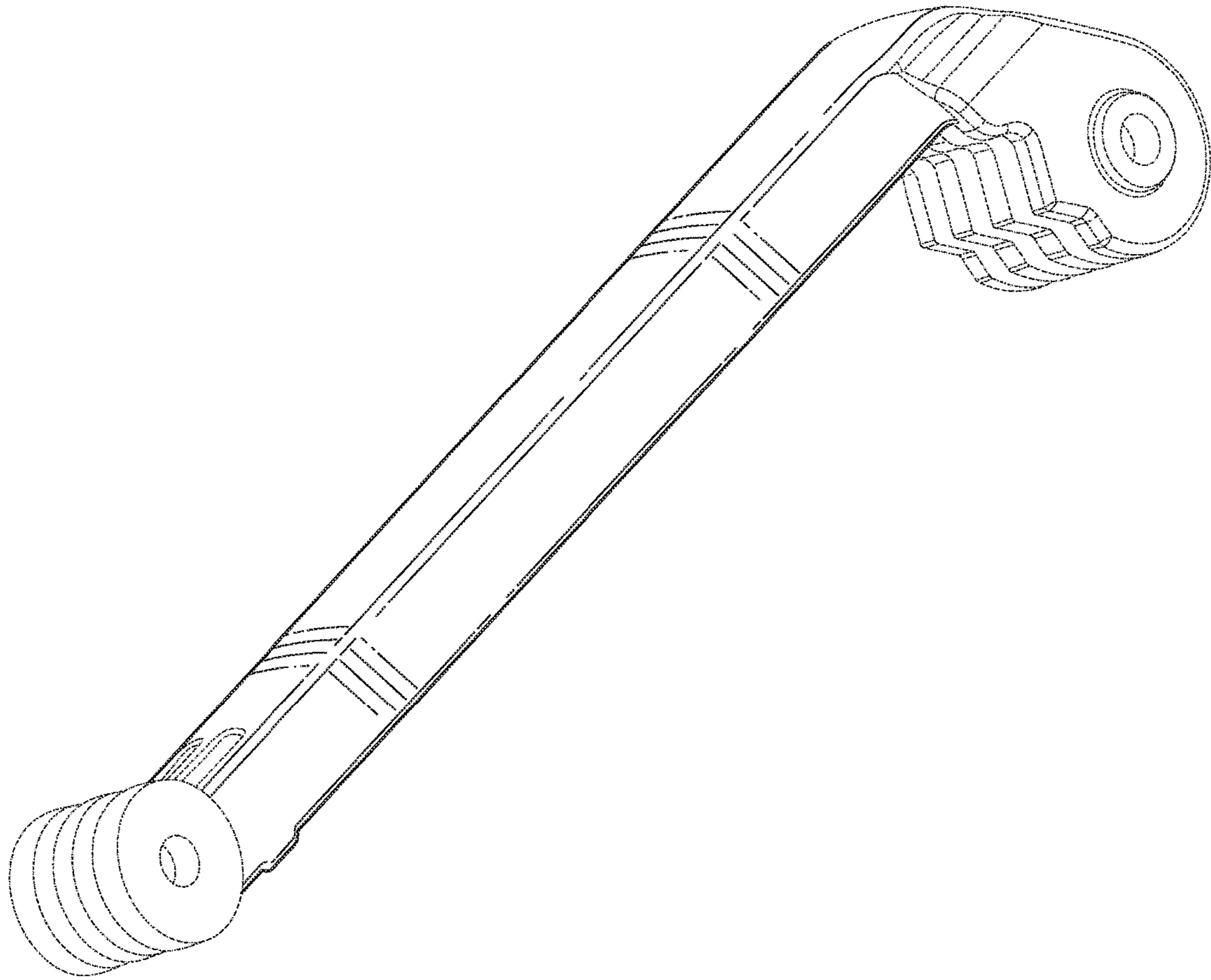


FIG. 25

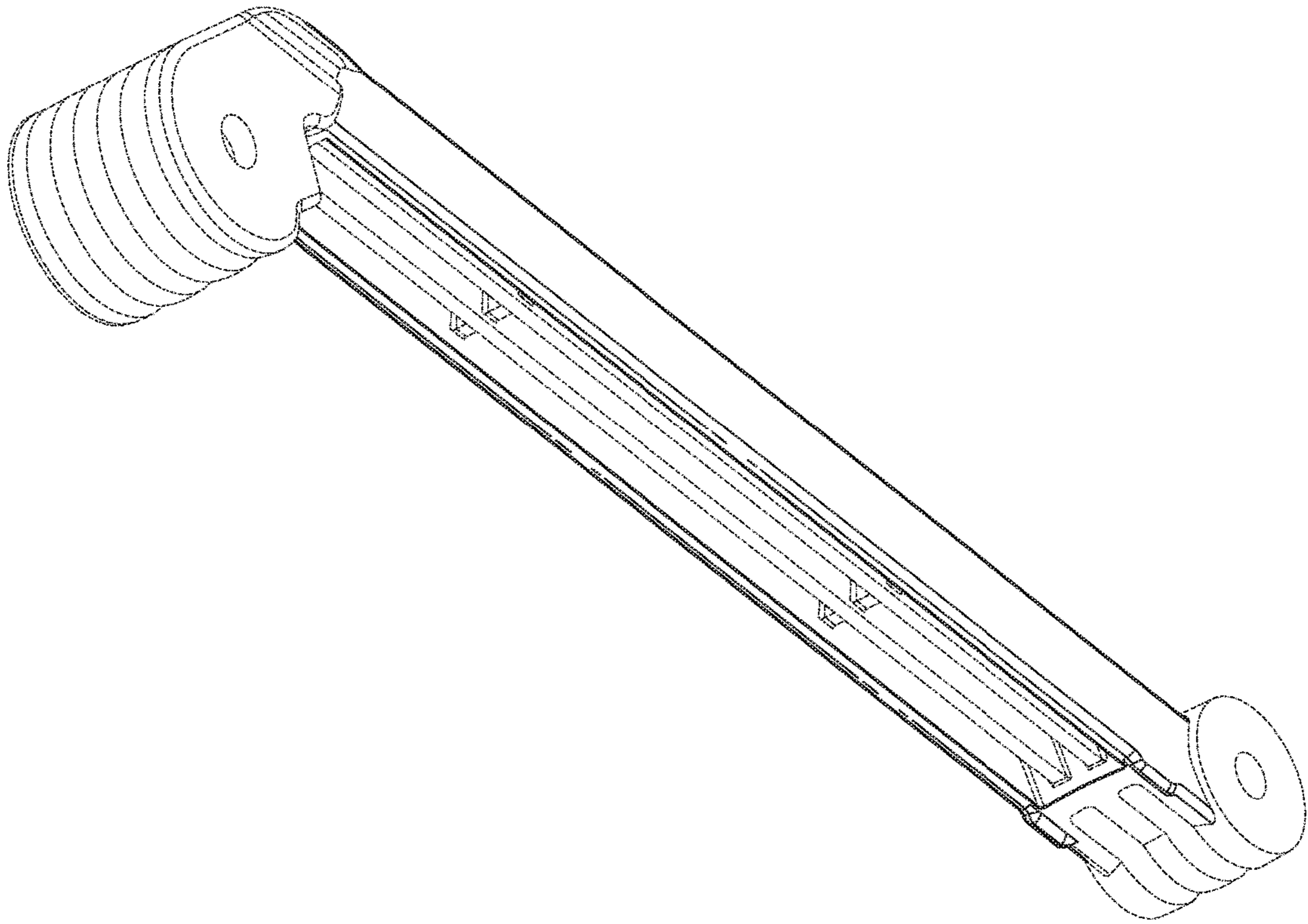


FIG. 26

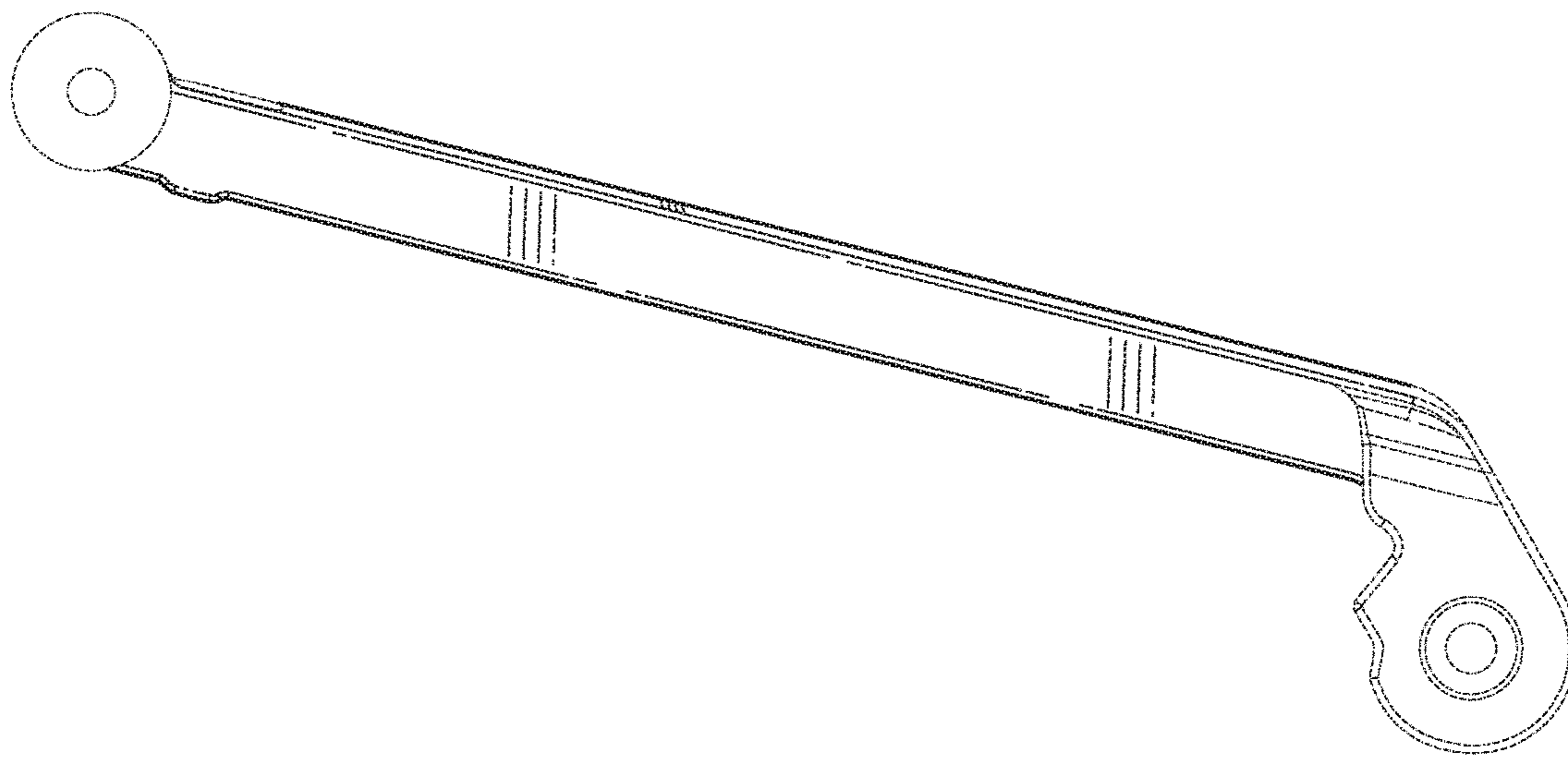


FIG. 27

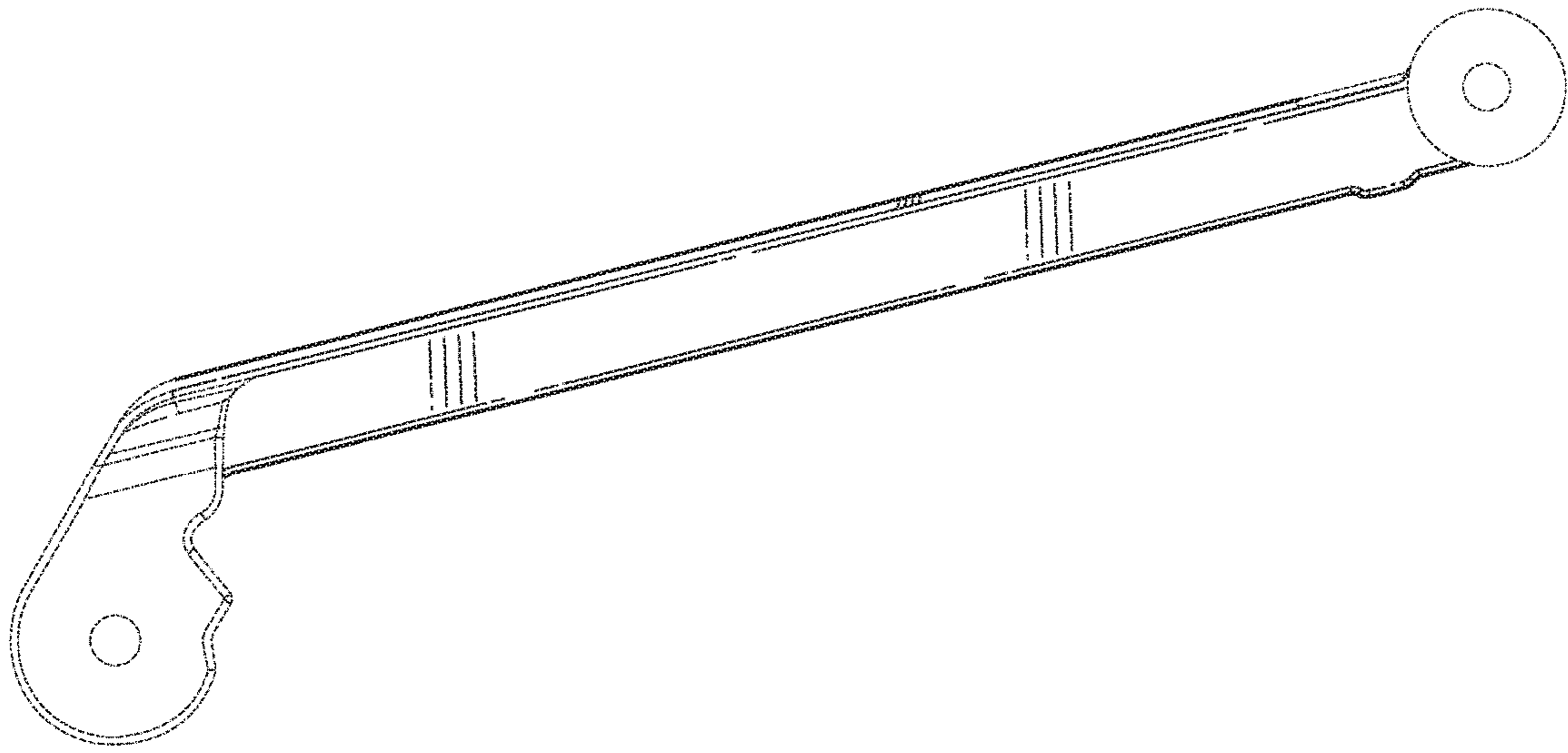


FIG. 28

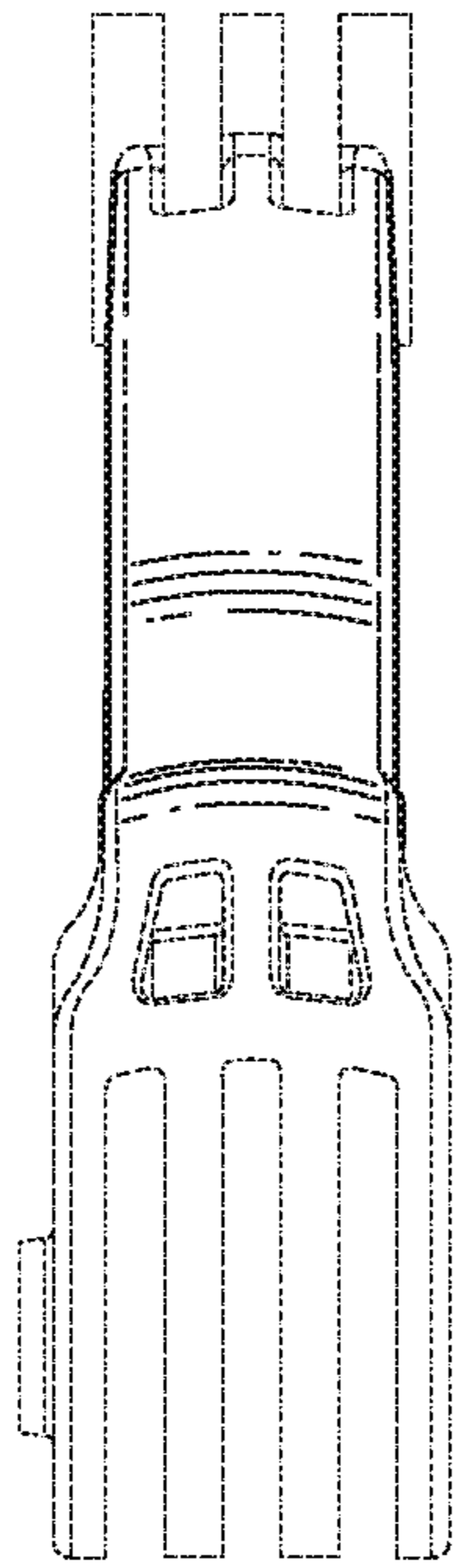


FIG. 29

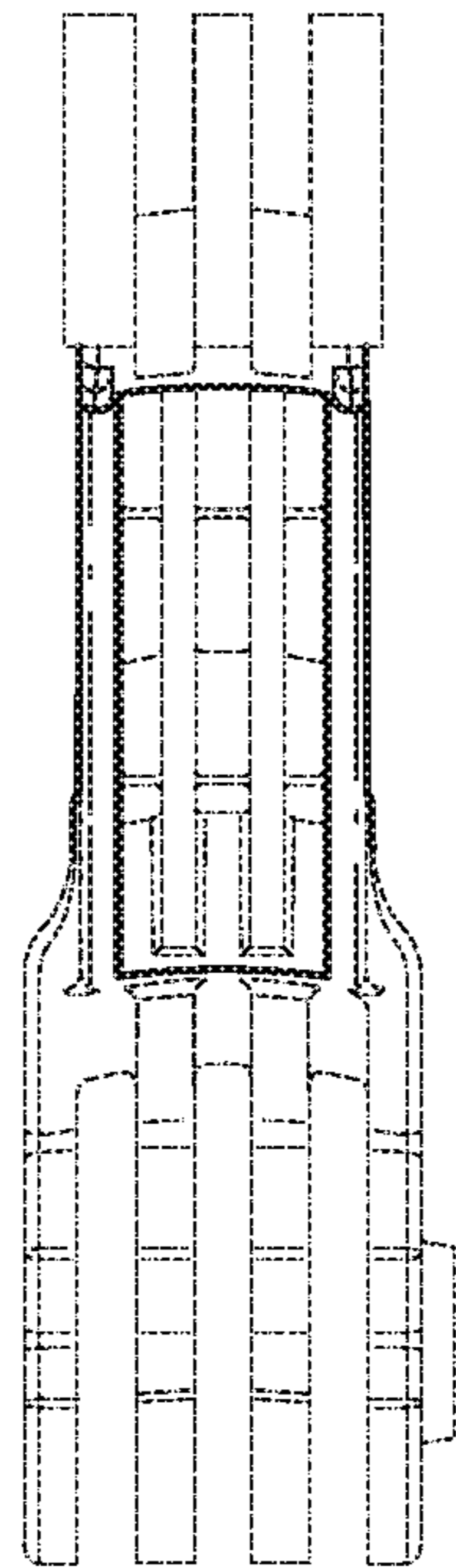


FIG. 30



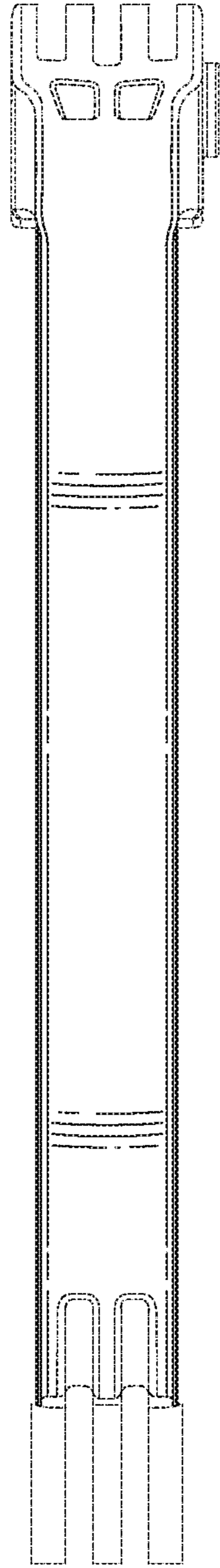


FIG. 31

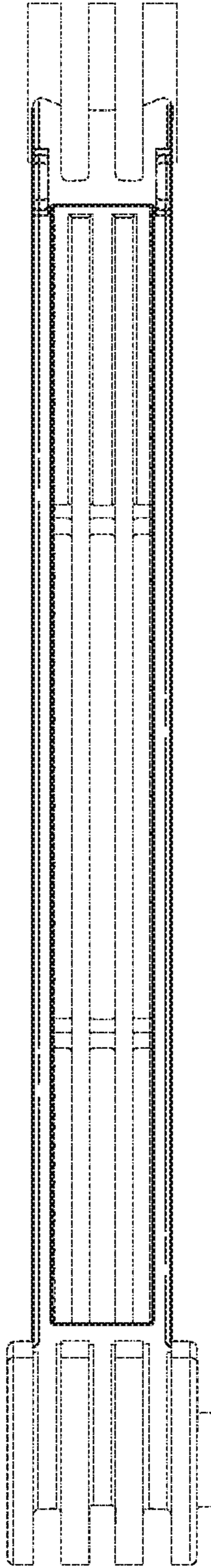


FIG. 32

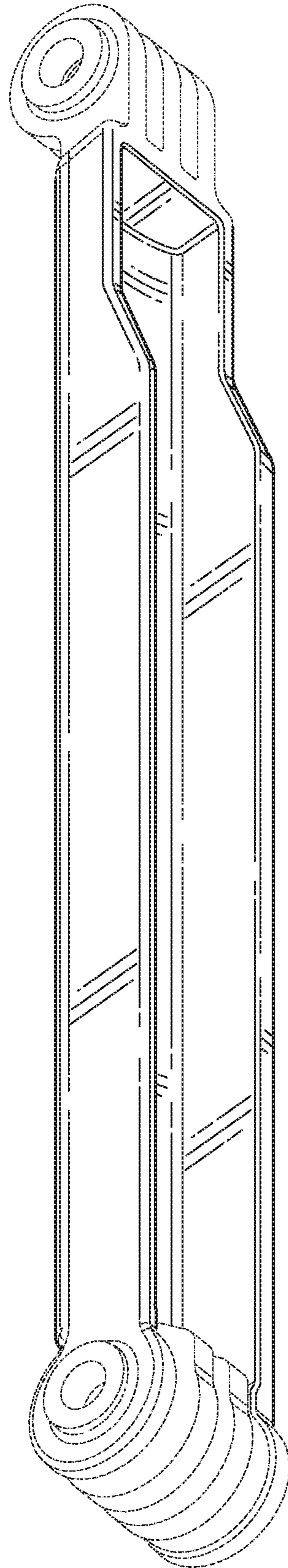


FIG. 33

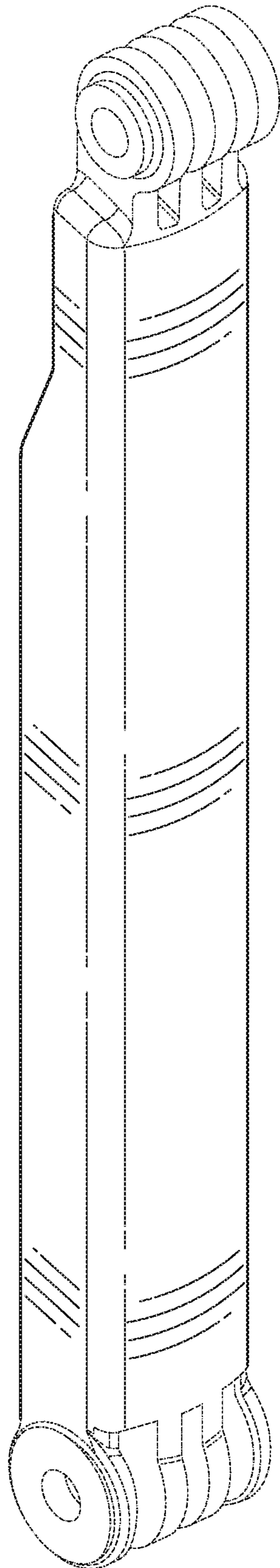


FIG. 34

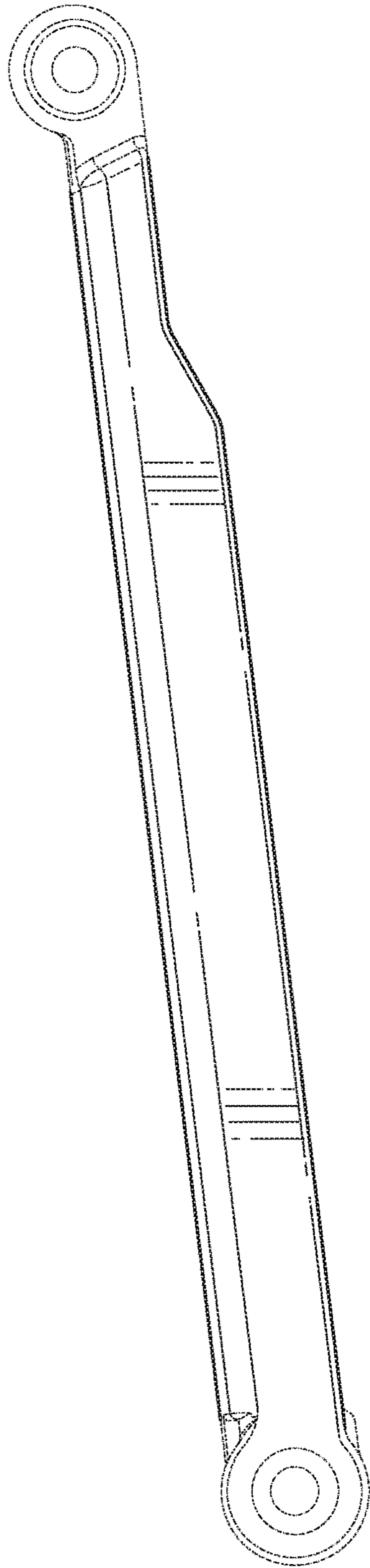


FIG. 35

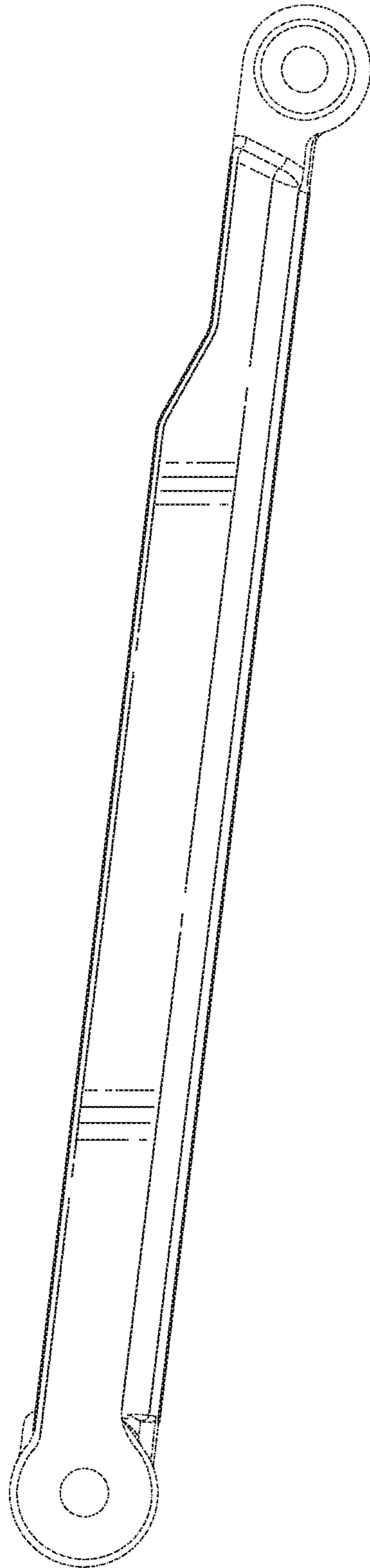


FIG. 36

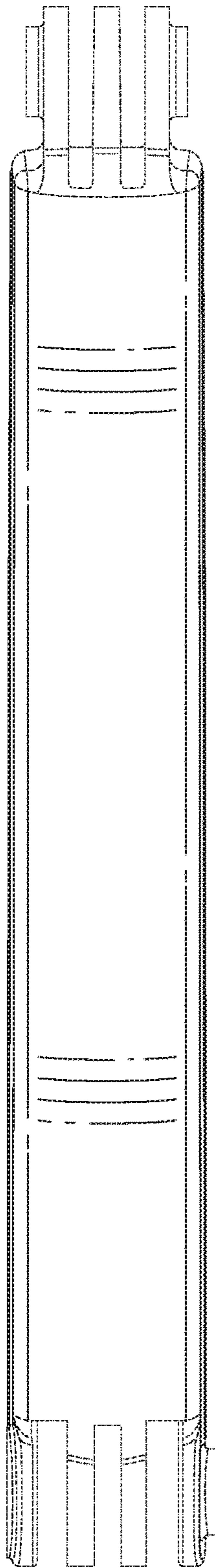


FIG. 37

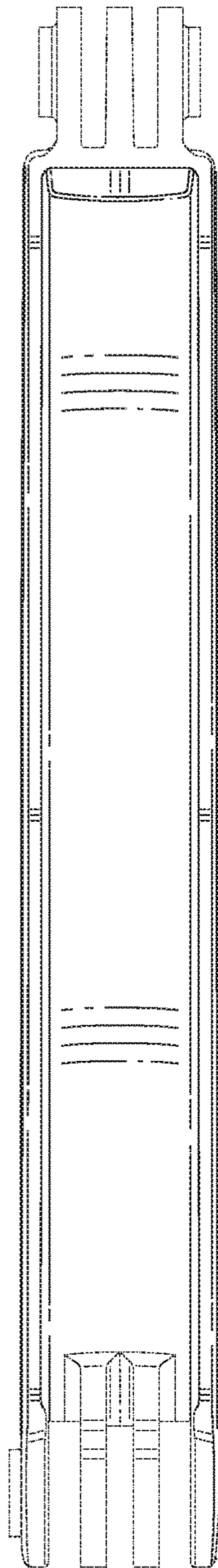


FIG. 38



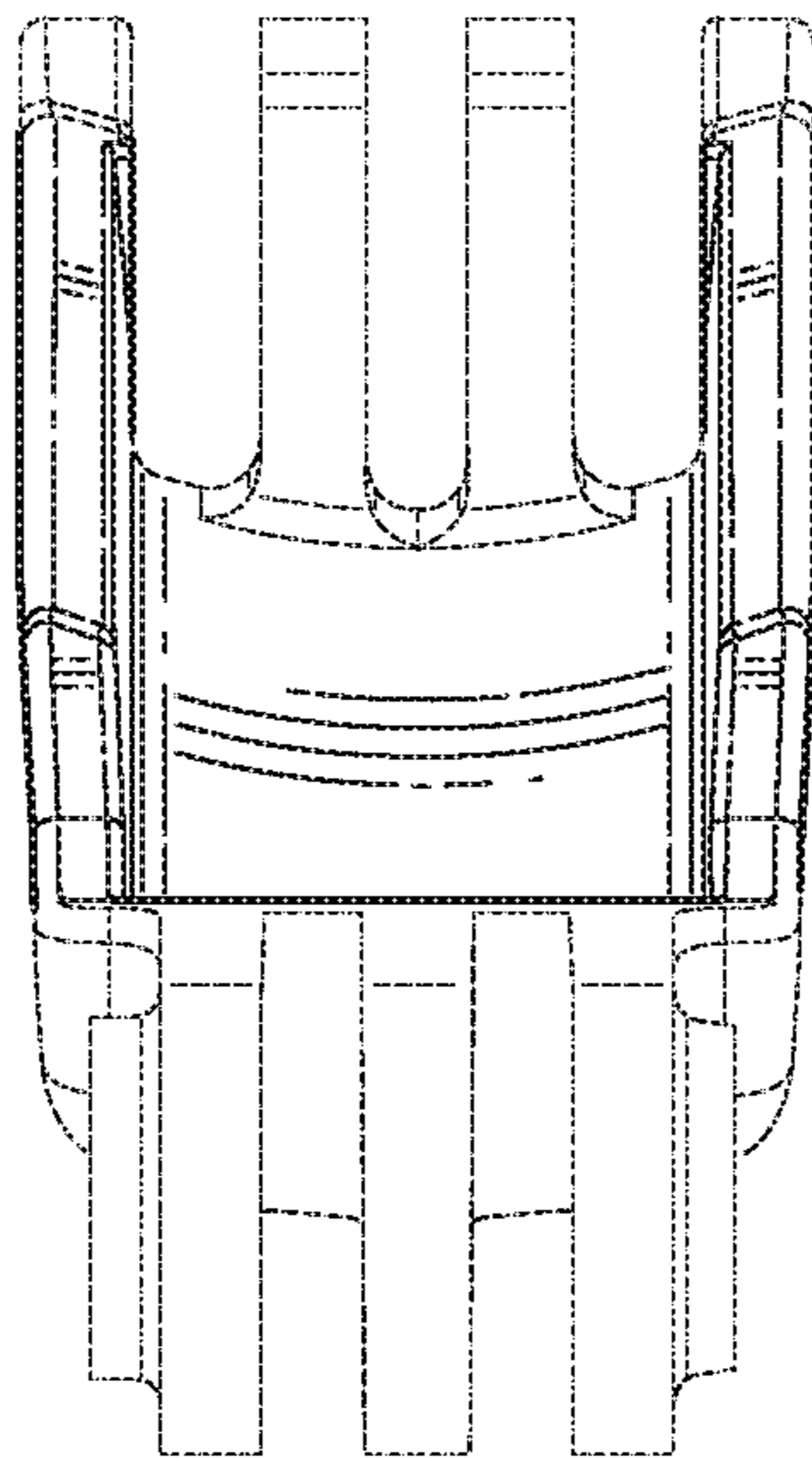


FIG. 39

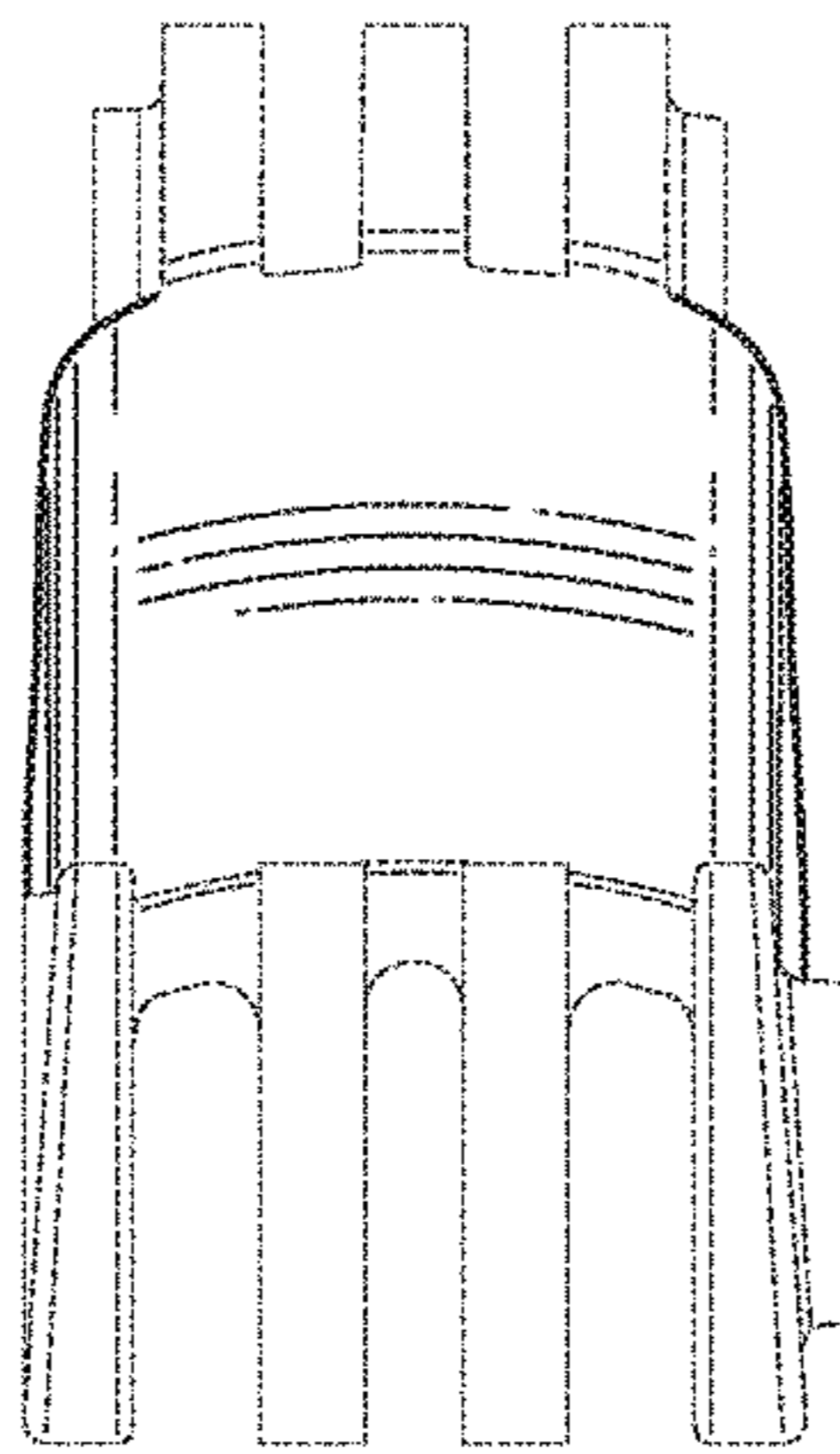


FIG. 40