



US00D785073S

(12) **United States Design Patent**
Wang et al.

(10) **Patent No.:** **US D785,073 S**
(45) **Date of Patent:** **** Apr. 25, 2017**

- (54) **GIMBAL**
- (71) Applicant: **SZ DJI Technology Co., Ltd.**,
Shenzhen (CN)
- (72) Inventors: **Zhen Wang**, Shenzhen (CN); **Dahu Pan**, Shenzhen (CN)
- (73) Assignee: **SZ DJI TECHNOLOGY CO., LTD.**,
Shenzhen (CN)

D694,802 S *	12/2013	Coyle	D16/237
D732,601 S *	6/2015	Coyle	D16/237
D738,951 S *	9/2015	Coyle	D16/237
D741,779 S *	10/2015	Hsiao	D12/16.1
D756,439 S *	5/2016	Conard	D16/208
D757,841 S *	5/2016	Chuang	D16/242
D764,565 S *	8/2016	Tekunoff	D16/242
D765,393 S *	9/2016	Kim	D14/253
D765,651 S *	9/2016	Liu	D14/253
D771,733 S *	11/2016	Wang	D16/242
2008/0210025 A1 *	9/2008	Goossen	F16M 11/041 74/5.34
2016/0327847 A1 *	11/2016	Yang	B64D 47/08

(**) Term: **15 Years**

(21) Appl. No.: **29/575,053**

(22) Filed: **Aug. 22, 2016**

Related U.S. Application Data

(63) Continuation of application No. 29/552,821, filed on Jan. 26, 2016.

(51) **LOC (10) Cl.** **16-05**

(52) **U.S. Cl.**
USPC **D16/242**

(58) **Field of Classification Search**
USPC D16/134, 136, 208, 213–219, 200, 242,
D16/237; D12/16.1, 19, 322–323,
D12/326–328; D26/37–38, 63
CPC G01P 3/00; G03B 15/03; G03B 17/02;
G03B 17/03; G03B 17/04; G03B 17/14;
G03B 17/56; H04N 5/225; H04N 5/232
See application file for complete search history.

(56) **References Cited**

U.S. PATENT DOCUMENTS

D564,567 S *	3/2008	Dordick	D16/242
D616,913 S *	6/2010	Lee	D16/245

* cited by examiner

Primary Examiner — Manpreet Matharu

Assistant Examiner — Yolanda Robinson

(74) *Attorney, Agent, or Firm* — Sterne, Kessler,
Goldstein & Fox P.L.L.C.

(57) **CLAIM**

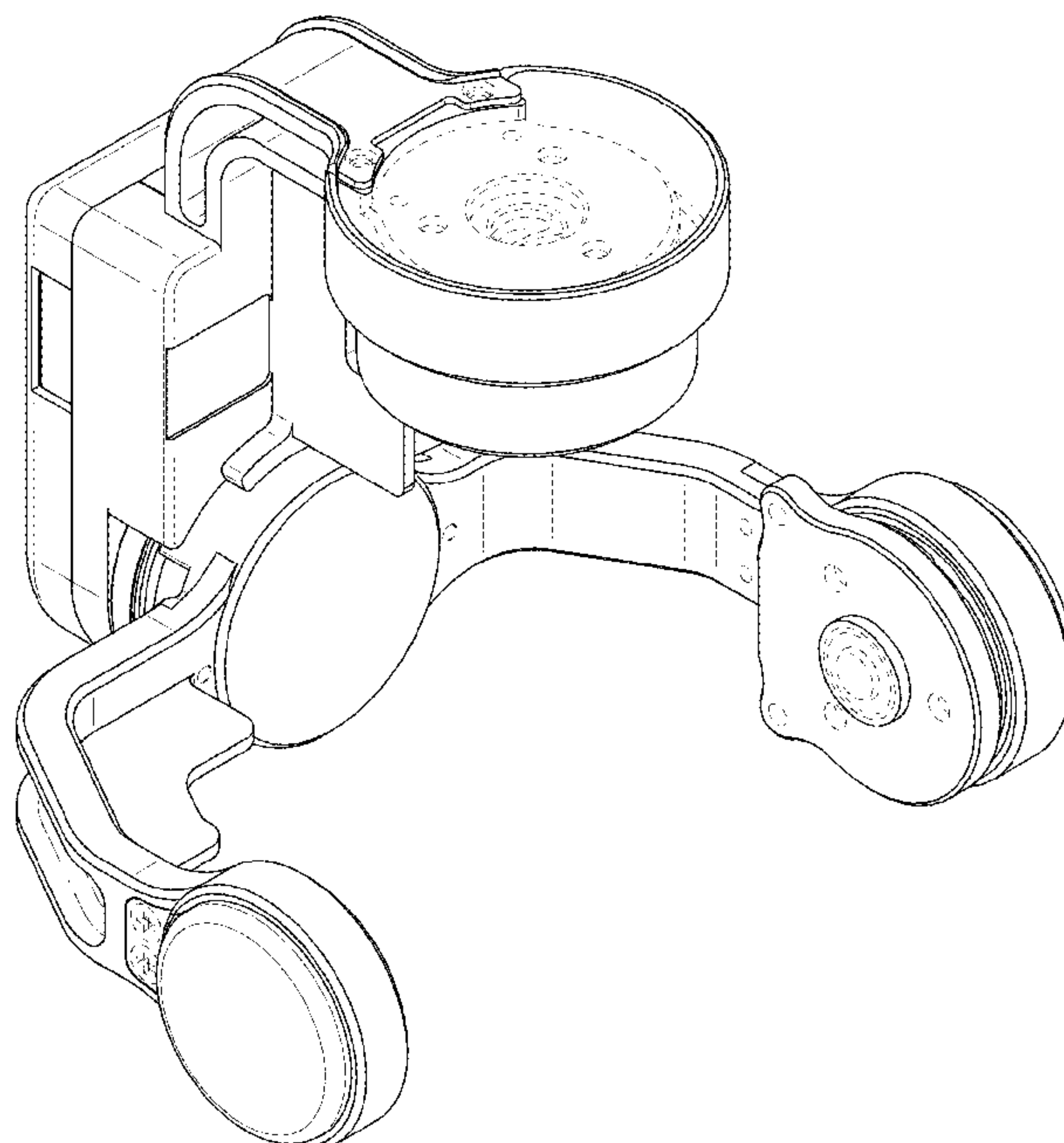
The ornamental design for a gimbal, as shown and described.

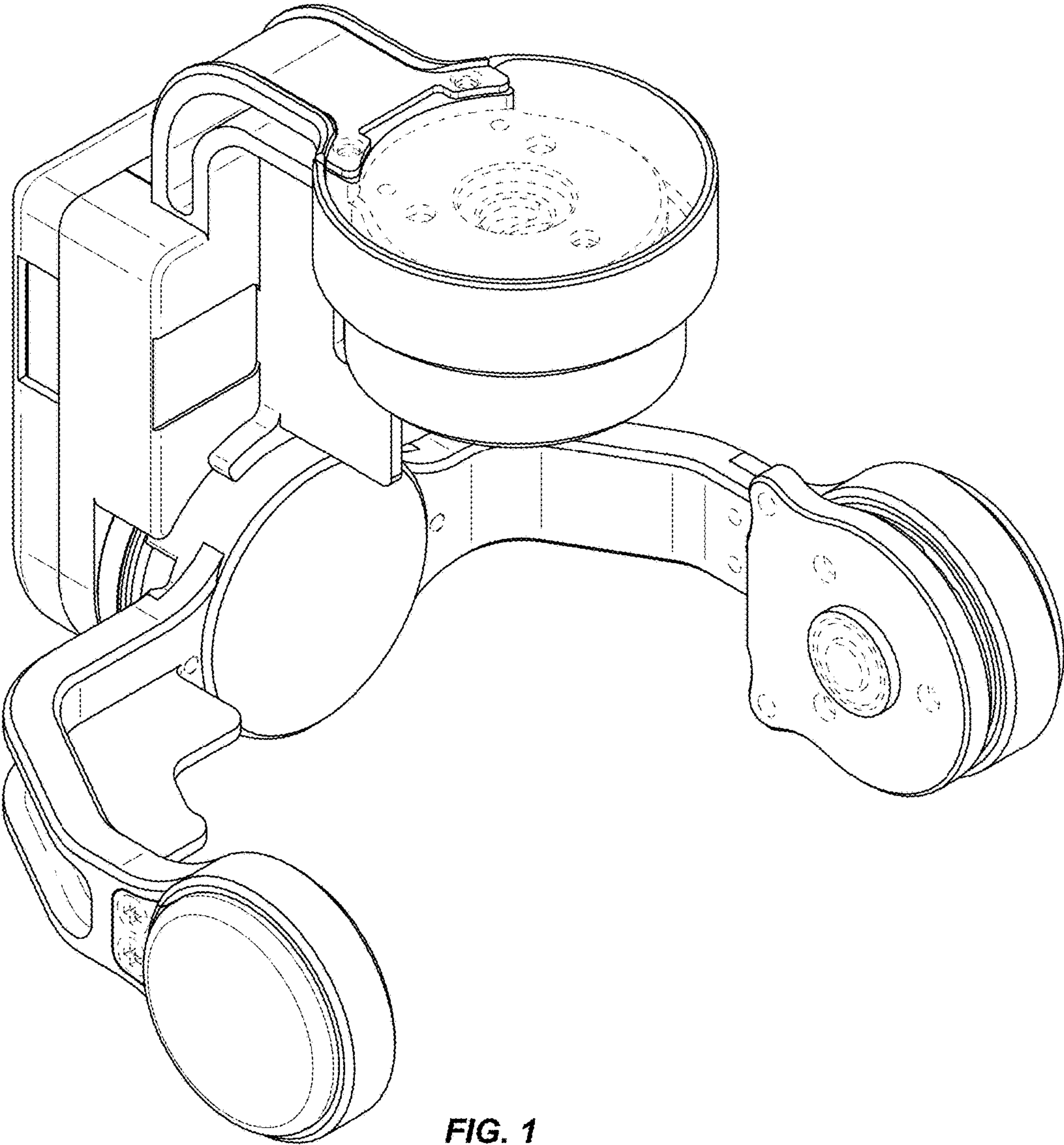
DESCRIPTION

FIG. 1 is a top, front, left perspective view of a gimbal showing the claimed design;
FIG. 2 is a top, front, right perspective view thereof;
FIG. 3 is a front view thereof;
FIG. 4 is a rear view thereof;
FIG. 5 is a right side view thereof;
FIG. 6 is a left side view thereof;
FIG. 7 is a top view thereof; and,
FIG. 8 is a bottom view thereof.

The broken lines in the figures show portions of the gimbal that form no part of the claimed design.

1 Claim, 8 Drawing Sheets





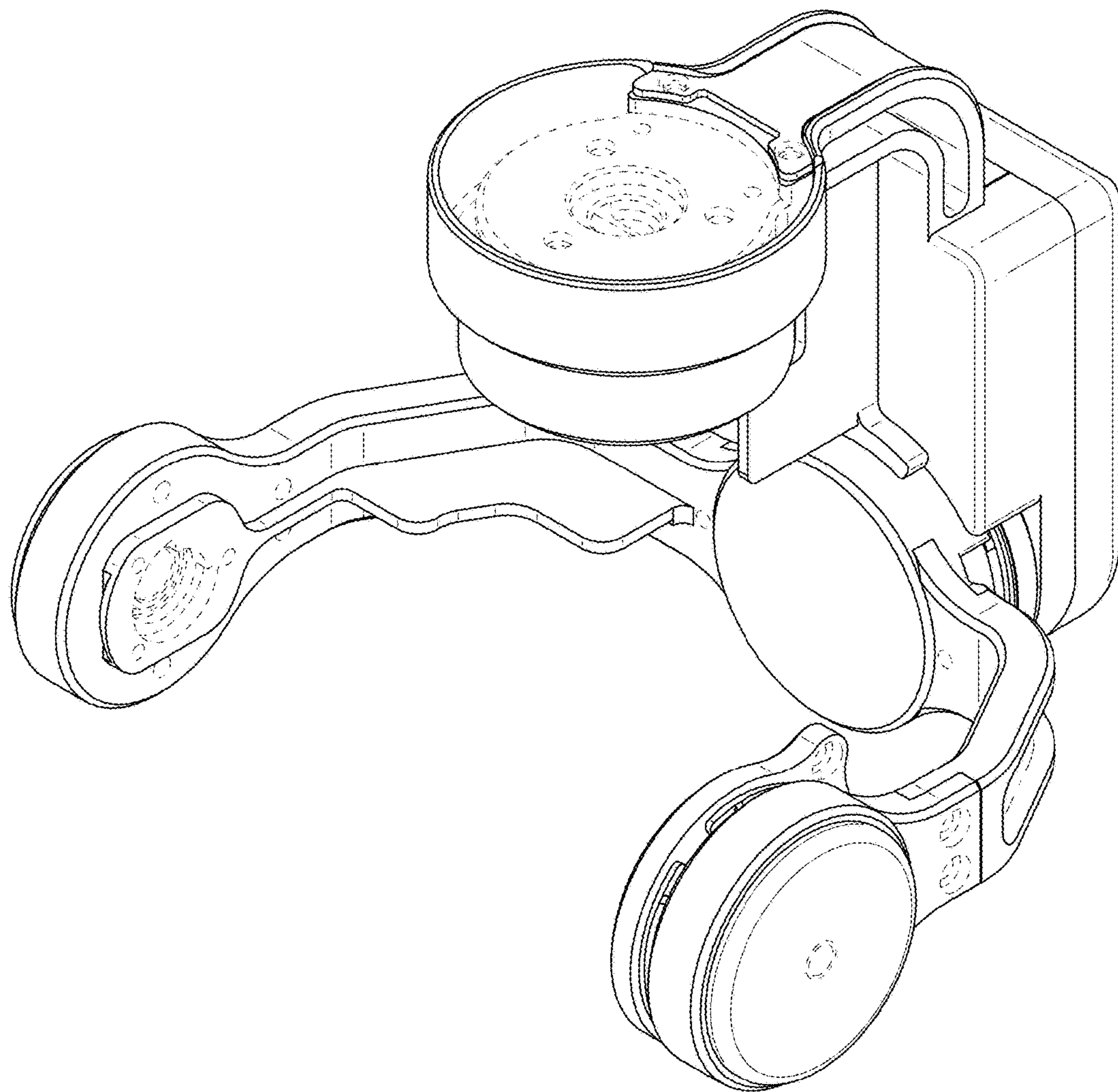


FIG. 2

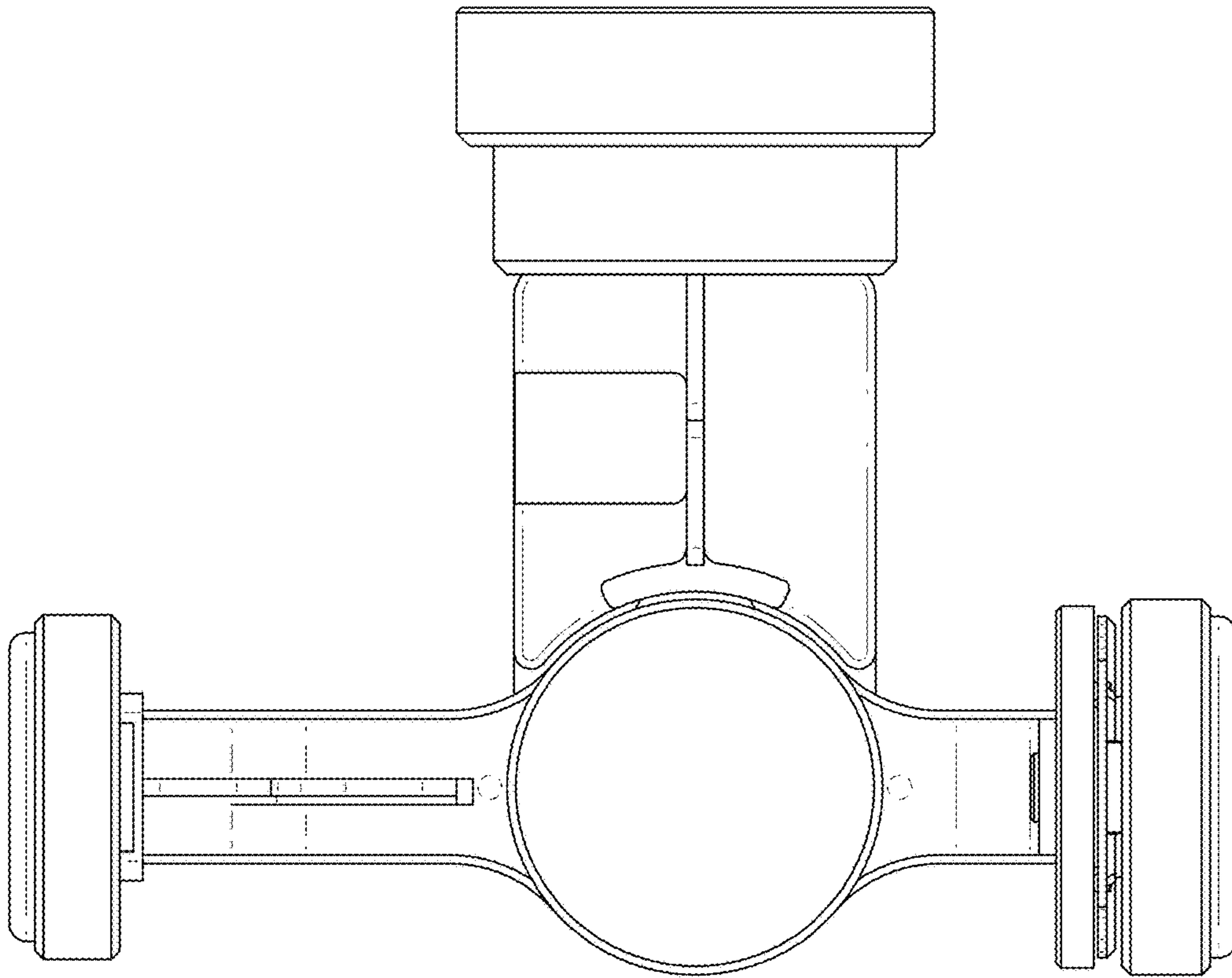


FIG. 3

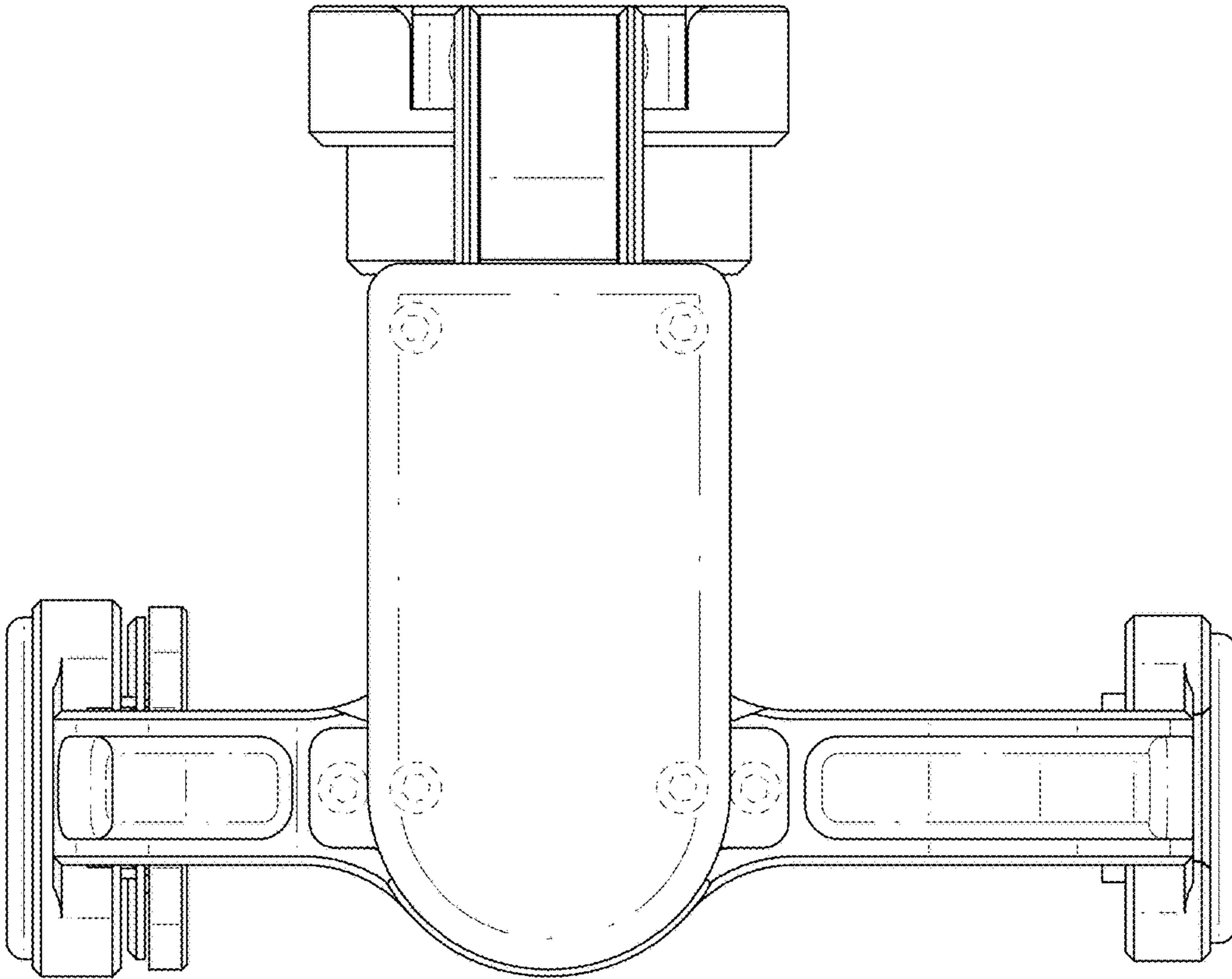


FIG. 4

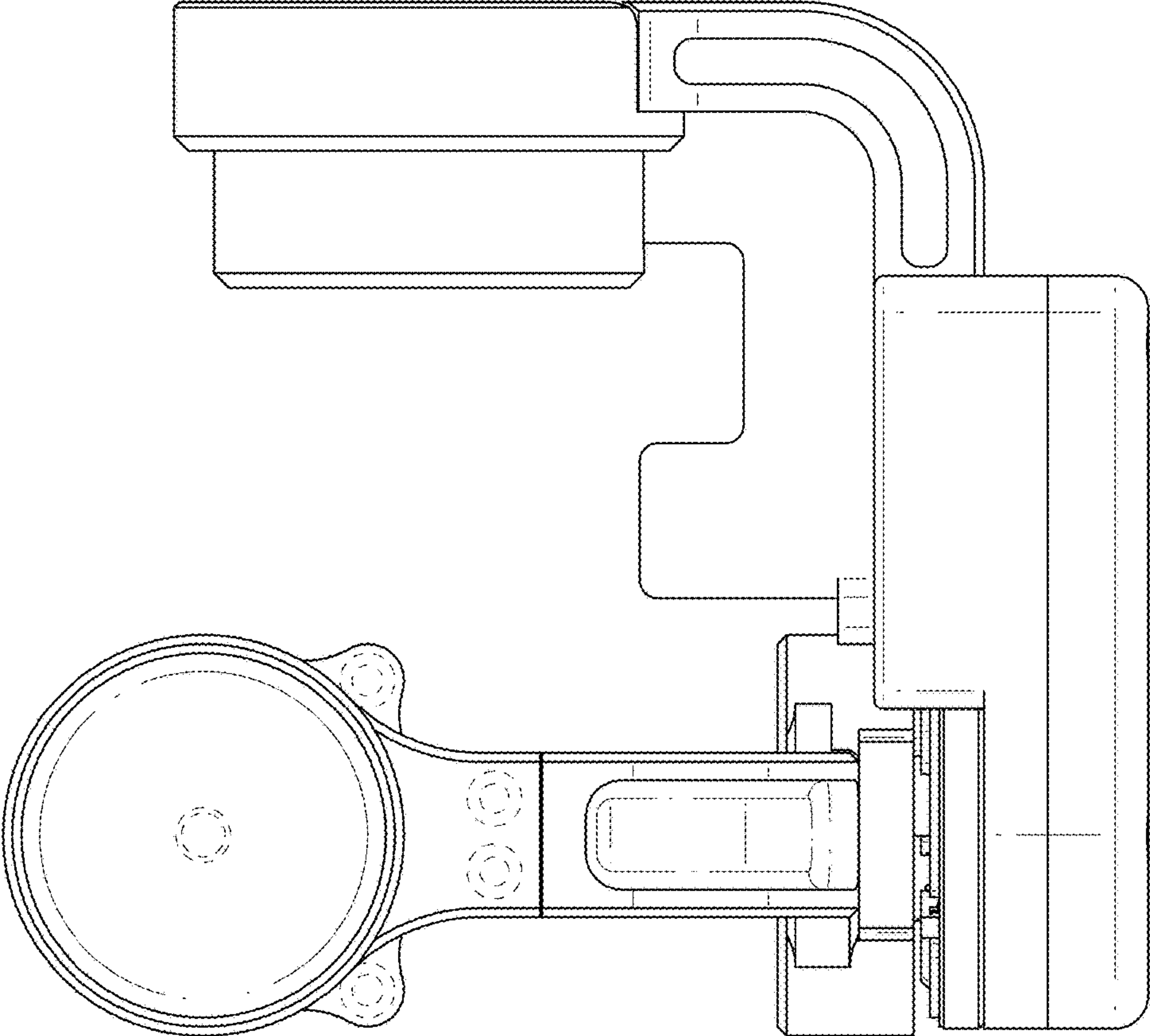


FIG. 5

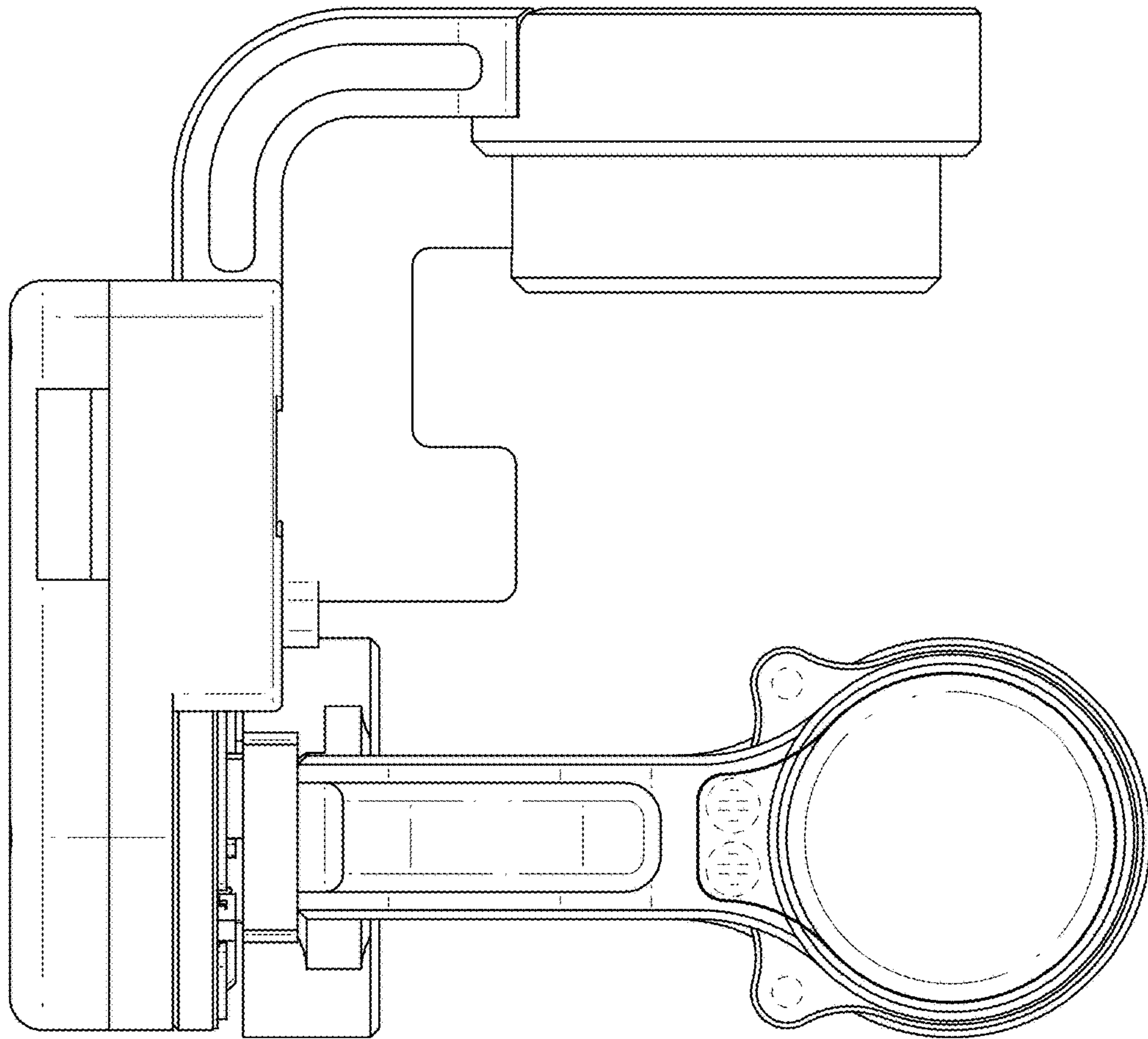


FIG. 6

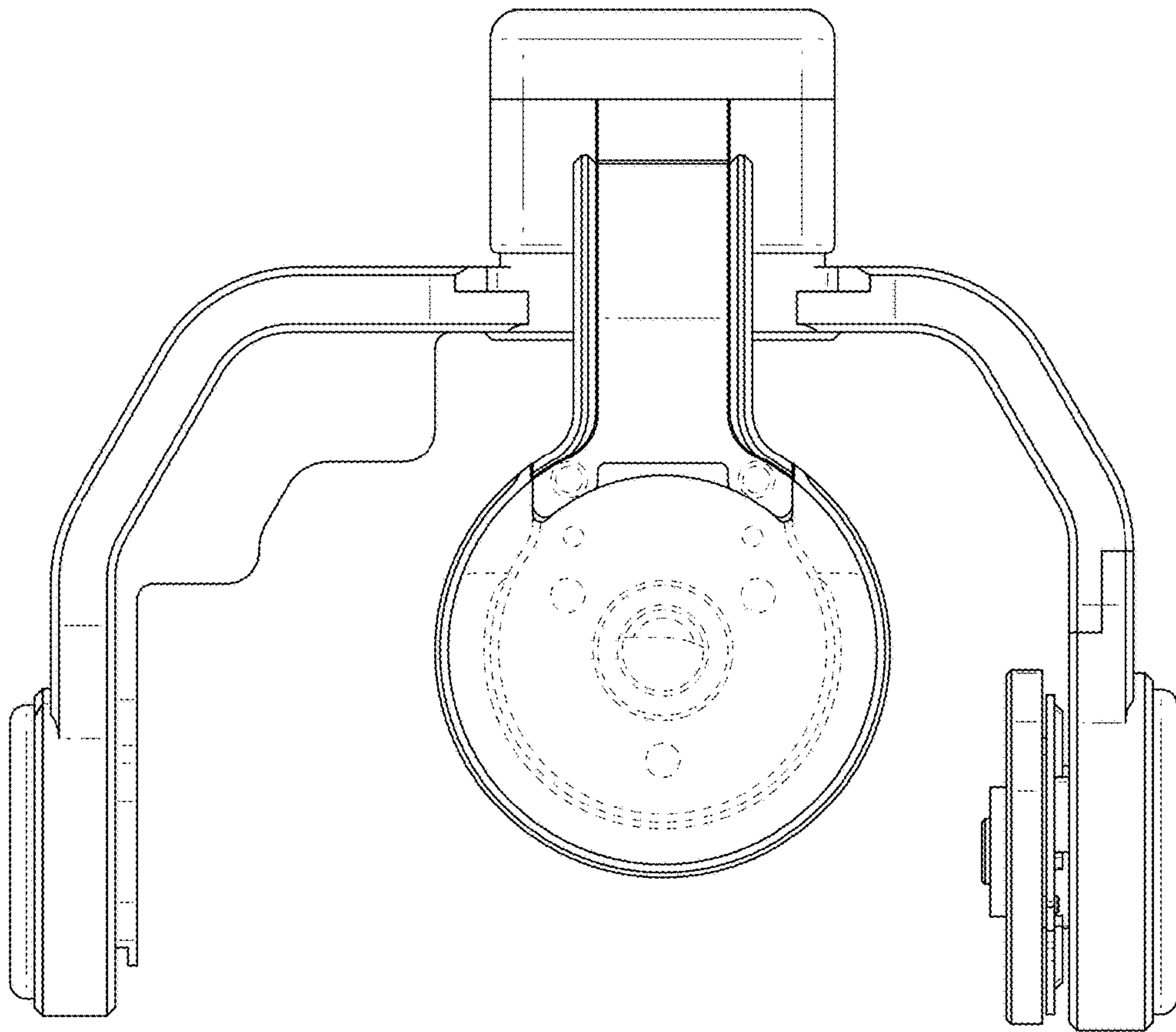


FIG. 7

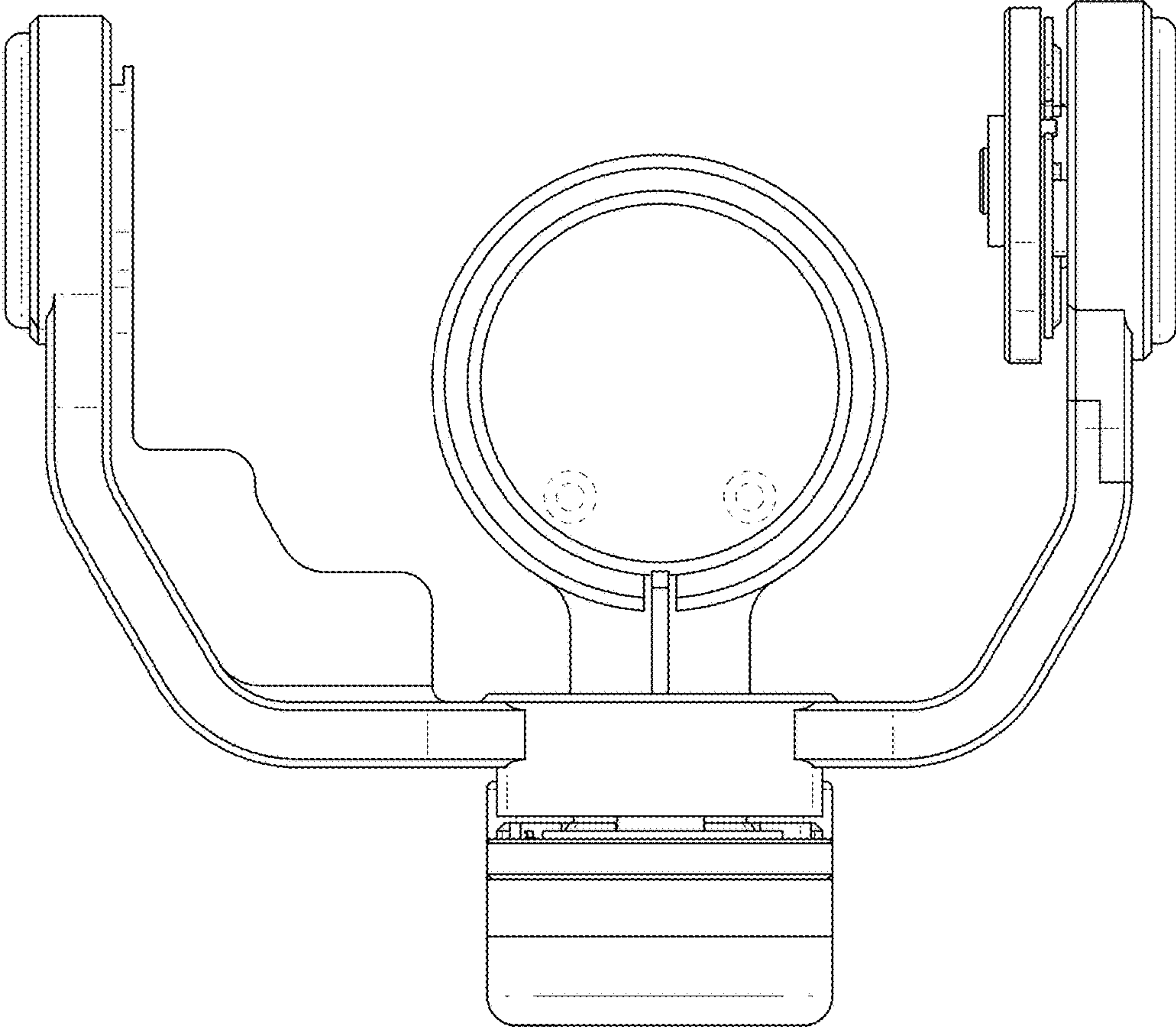


FIG. 8

UNITED STATES PATENT AND TRADEMARK OFFICE
CERTIFICATE OF CORRECTION

PATENT NO. : D785,073 S
APPLICATION NO. : 29/575053
DATED : April 25, 2017
INVENTOR(S) : Wang et al.

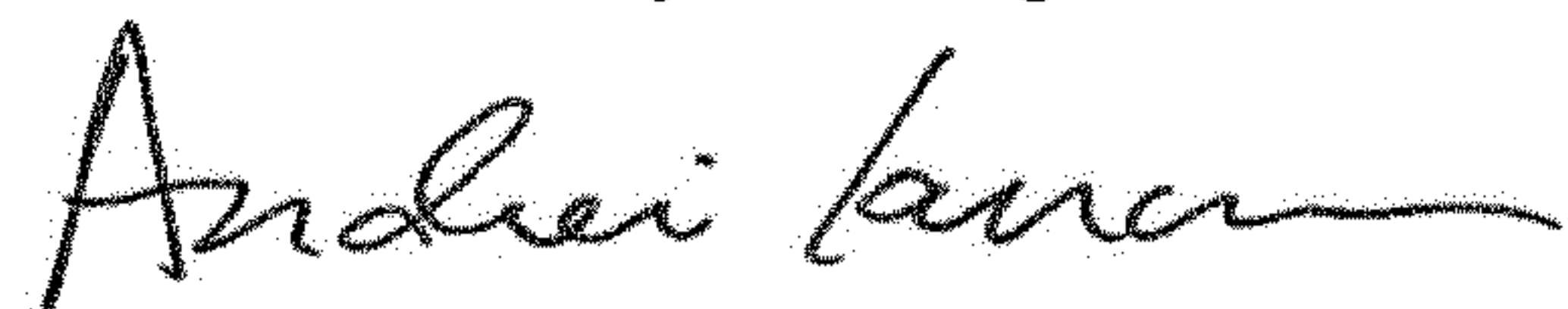
Page 1 of 1

It is certified that error appears in the above-identified patent and that said Letters Patent is hereby corrected as shown below:

On the Title Page

In the "Assignee" item (73), change the assignee from "SZ DJI TECHNOLOGY CO., LTD." to
--SZ DJI Osmo Technology Co., Ltd.--.

Signed and Sealed this
Seventh Day of August, 2018



Andrei Iancu
Director of the United States Patent and Trademark Office