



US00D785072S

(12) **United States Design Patent**
Taylor et al.

(10) **Patent No.:** **US D785,072 S**
(45) **Date of Patent:** **** Apr. 25, 2017**

(54) **MOUNT FOR A DIGITAL VIDEO CAMERA**

(71) Applicant: **TomTom International B.V.**,
Amsterdam (NL)

(72) Inventors: **Christopher James Taylor**, London
(GB); **Martin Riddiford**, London (GB)

(73) Assignee: **TomTom International B.V.**,
Amsterdam (NL)

(**) Term: **15 Years**

(21) Appl. No.: **29/543,967**

(22) Filed: **Oct. 29, 2015**

(30) **Foreign Application Priority Data**

Apr. 29, 2015 (EM) 002692343

(51) **LOC (10) Cl.** **16-05**

(52) **U.S. Cl.**
USPC **D16/242**

(58) **Field of Classification Search**
USPC D16/237, 242–245, 202, 203, 241, 207;
D8/354, 355, 363; 396/419, 420, 428;
D12/114, 223; D21/771
CPC F16M 11/14; F16M 11/041; F16M 11/04;
F16M 11/2078; F16M 11/28; F16M
11/2021; F16M 11/12; F16M 11/10;
F16M 2200/022; F16M 2200/027; F16M
13/00; F16M 13/02; F16M 13/022; G03B
17/561; G03B 17/566; G03B 17/563;
G03B 2215/056; B60R 2011/0059; B60R
2011/008; B60R 11/02

See application file for complete search history.

(56) **References Cited**

U.S. PATENT DOCUMENTS

D502,913 S * 3/2005 Fukami D13/108
D559,657 S * 1/2008 Wohlford D8/354

D566,530 S * 4/2008 Brassard D8/363
D630,238 S * 1/2011 Fukuma D16/242
D630,240 S * 1/2011 Torbitt D16/245
D689,114 S * 9/2013 Green D16/242
D697,570 S * 1/2014 Samuels D21/771
2012/0013791 A1* 1/2012 Zhan F16M 11/041
348/373
2012/0099849 A1* 4/2012 Onishi F16M 11/041
396/419
2014/0105589 A1* 4/2014 Samuels G03B 17/561
396/419
2014/0321843 A1* 10/2014 Hulse G03B 17/561
396/420

(Continued)

Primary Examiner — Susan Bennett Hattan
Assistant Examiner — Brett Miller

(57) **CLAIM**

The ornamental design for a mount for a digital video camera, as shown and described.

DESCRIPTION

FIG. 1 is a top view of a first embodiment of the mount for a digital video camera; said mount being a flat surface mount.

FIG. 2 is a side view of the first embodiment.

FIG. 3 is a front view of the first embodiment.

FIG. 4 is a bottom view of the first embodiment.

FIG. 5 is a colour rendered perspective views of the first embodiment; the colours used being for exemplary purposes only.

FIG. 6 is a top view of a second embodiment of the mount for a digital video camera; said mount being a curved surface mount.

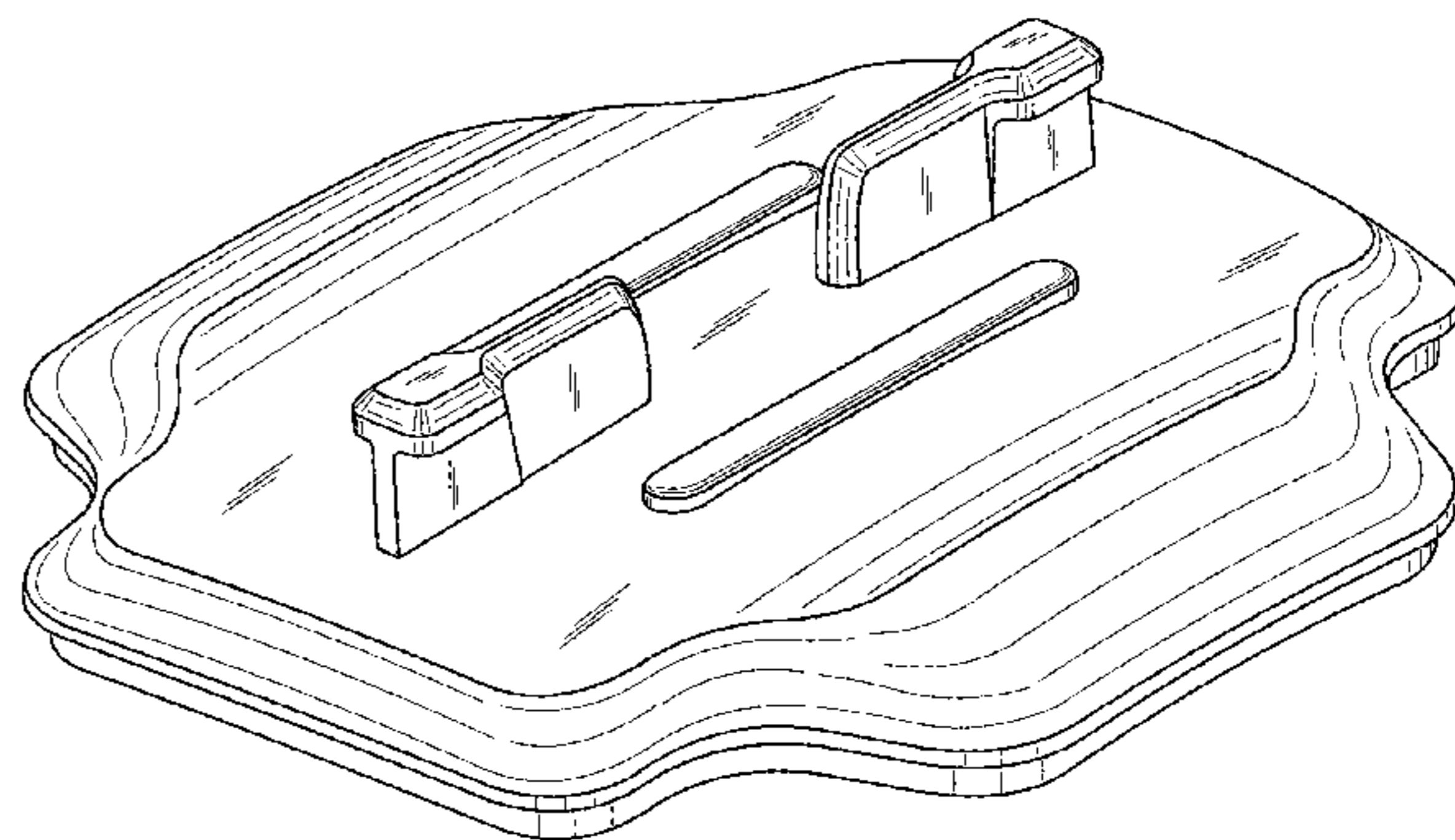
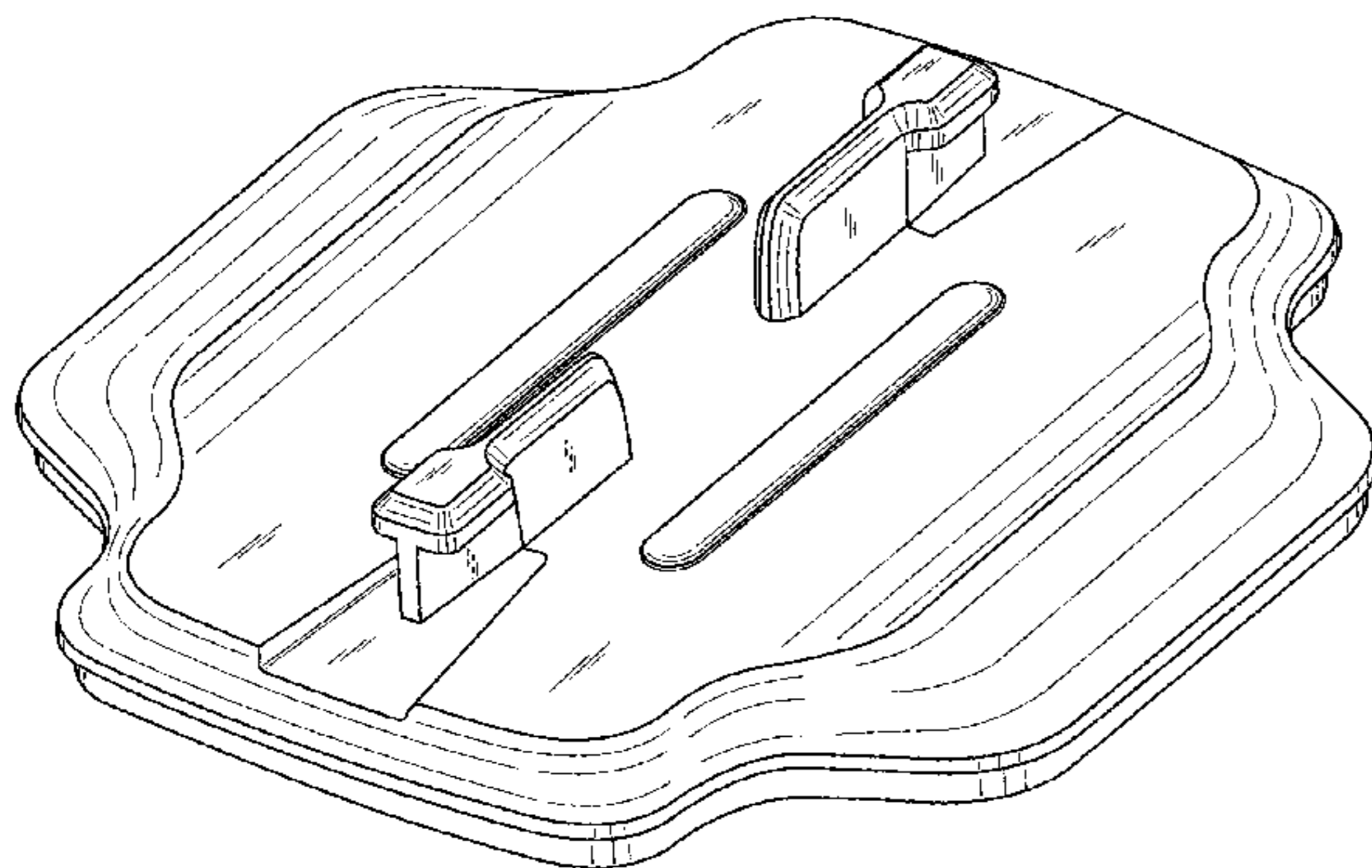
FIG. 7 is a side view of the second embodiment.

FIG. 8 is a front view of the second embodiment.

FIG. 9 is a bottom view of the second embodiment; and,

FIG. 10 is a colour rendered perspective views of the second embodiment; the colours used being for exemplary purposes only.

1 Claim, 6 Drawing Sheets



(56)

References Cited

U.S. PATENT DOCUMENTS

2015/0177597 A1* 6/2015 Harrison G03B 17/561
396/419

* cited by examiner

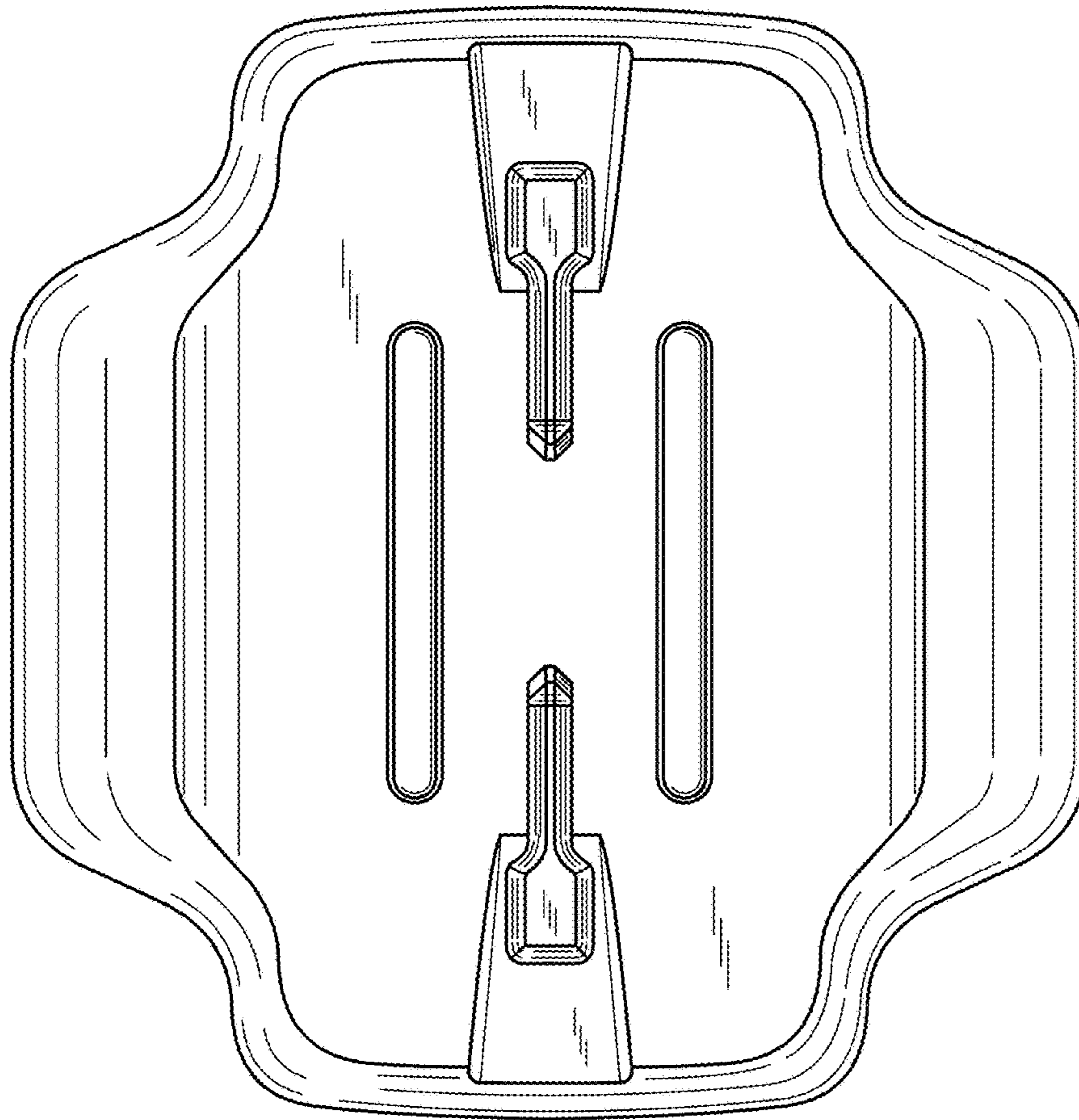


Fig. 1

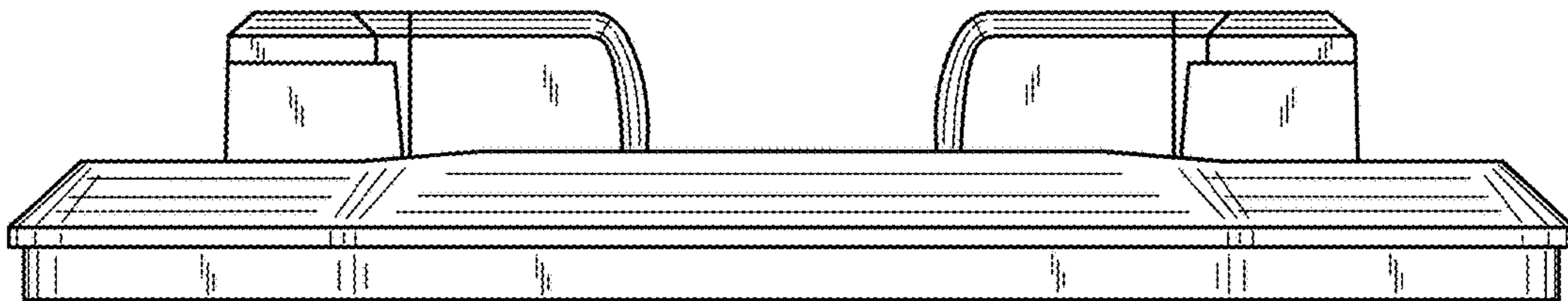


Fig. 2

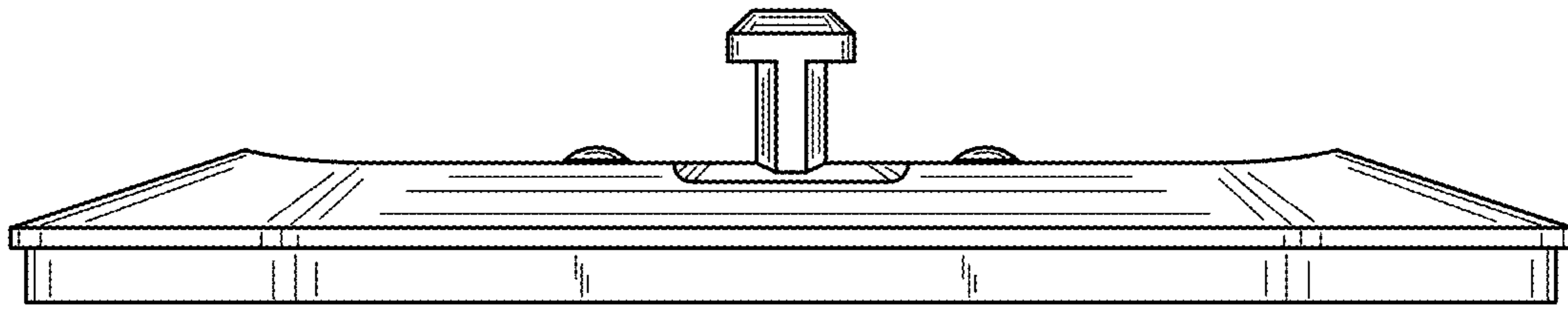


Fig. 3

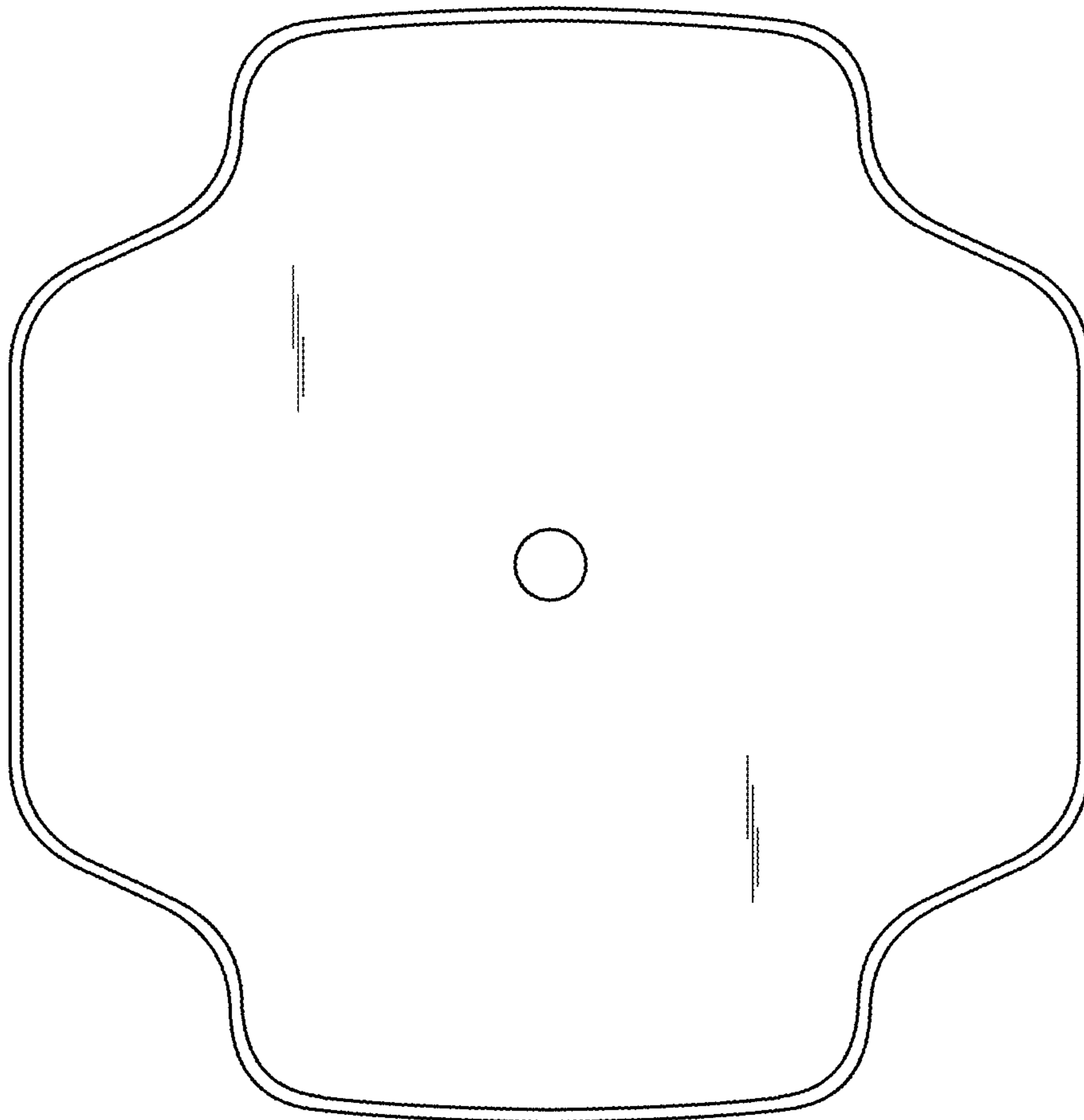


Fig. 4

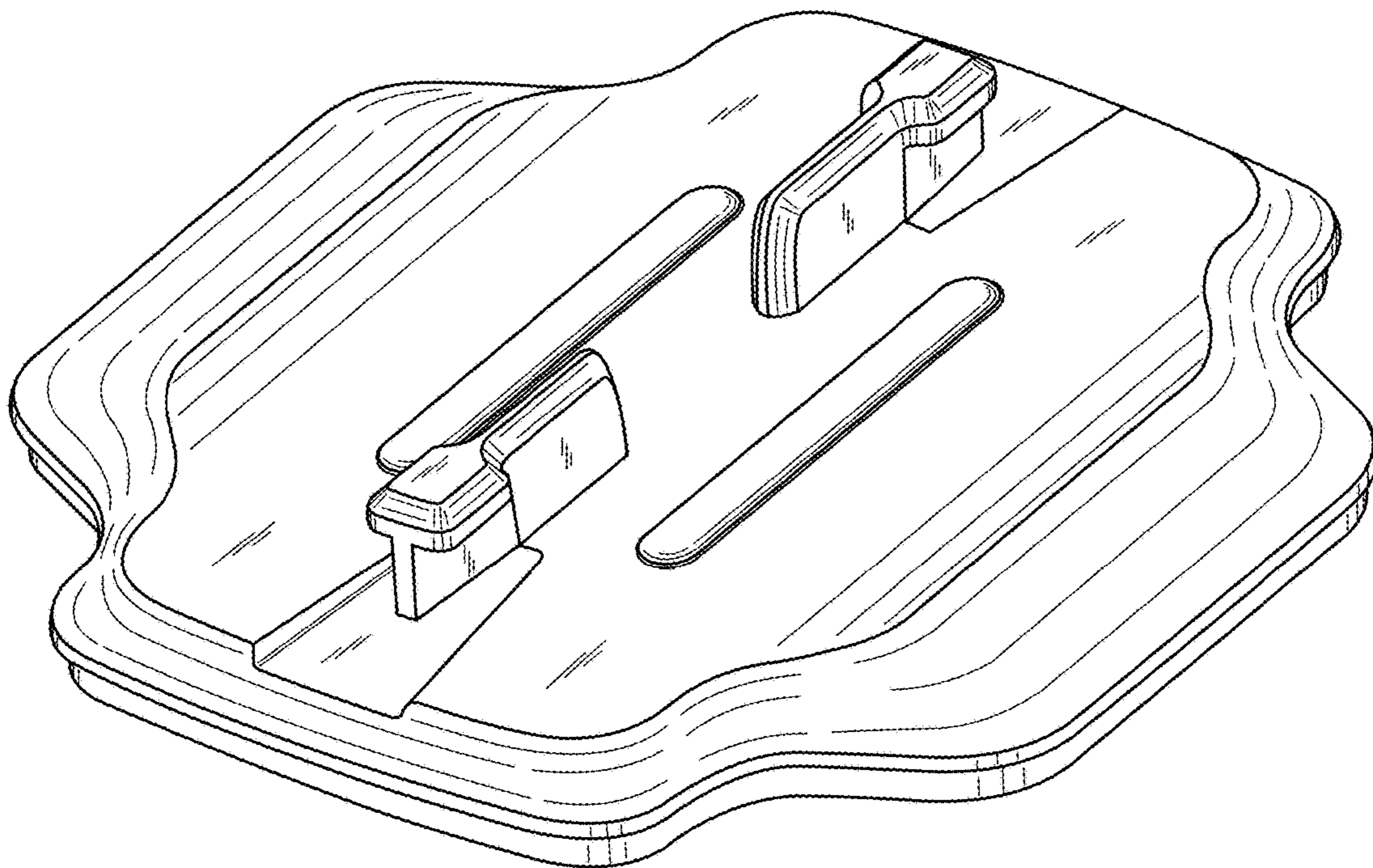


Fig. 5

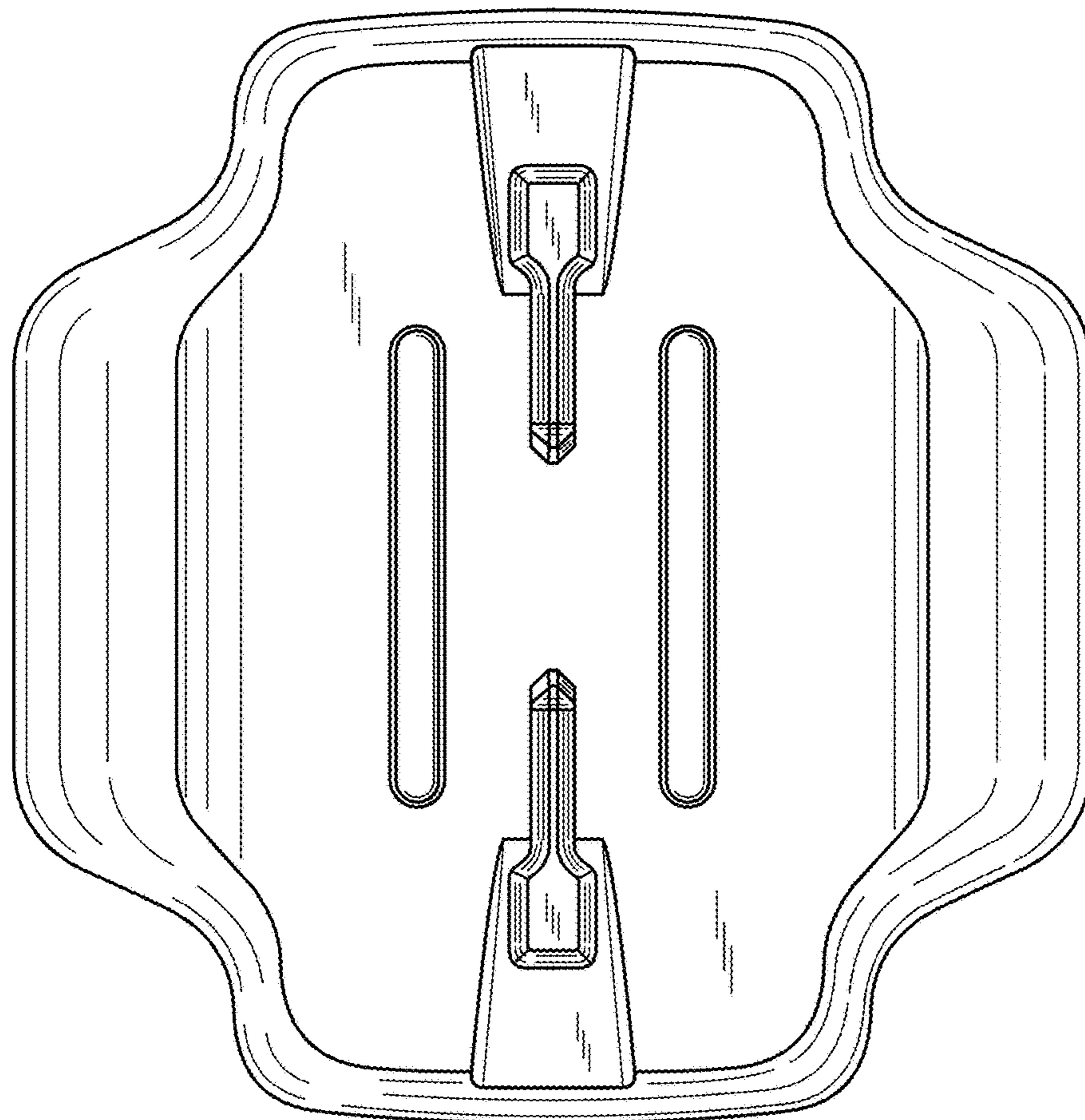


Fig. 6

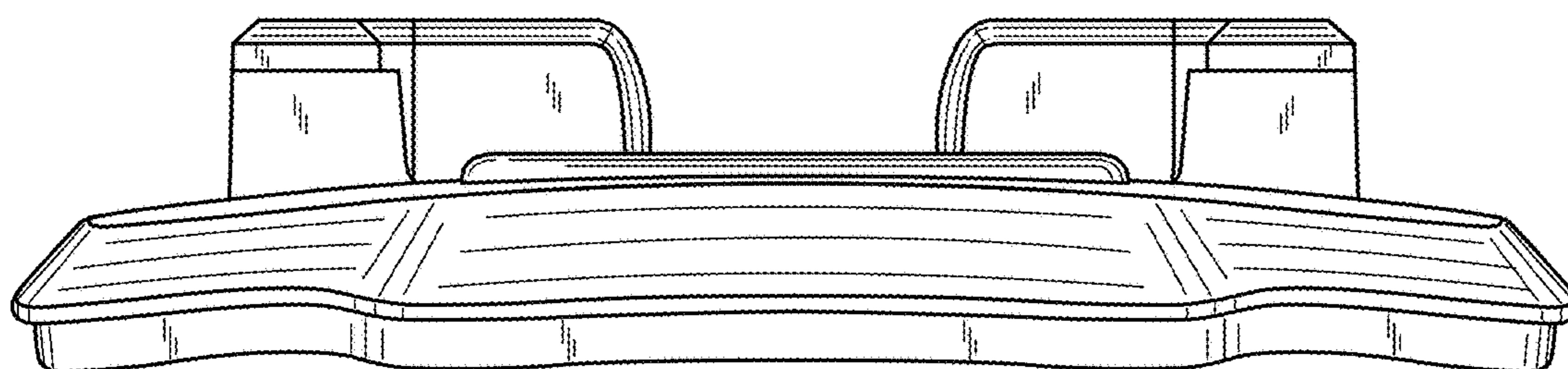


Fig. 7

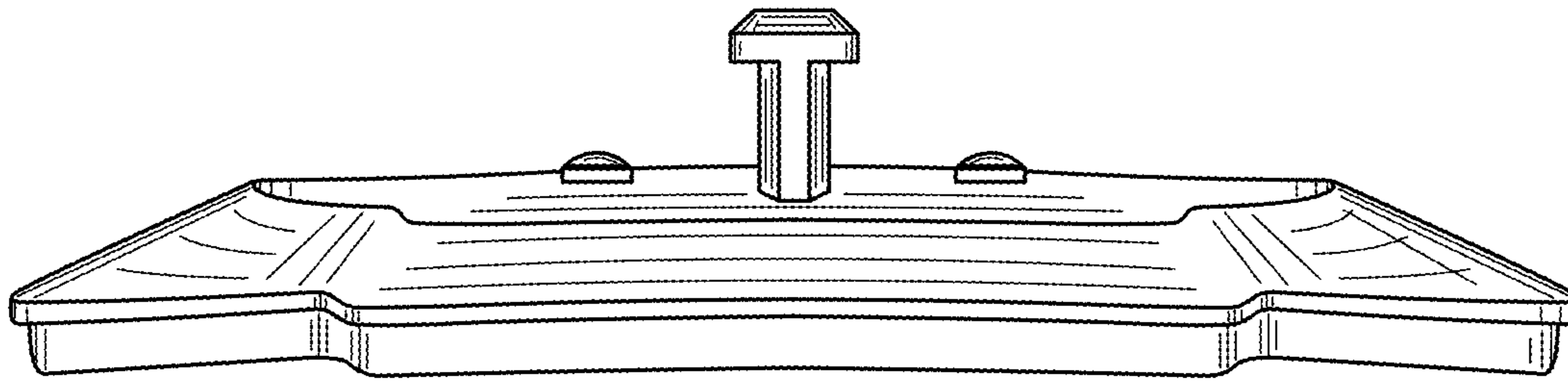


Fig. 8

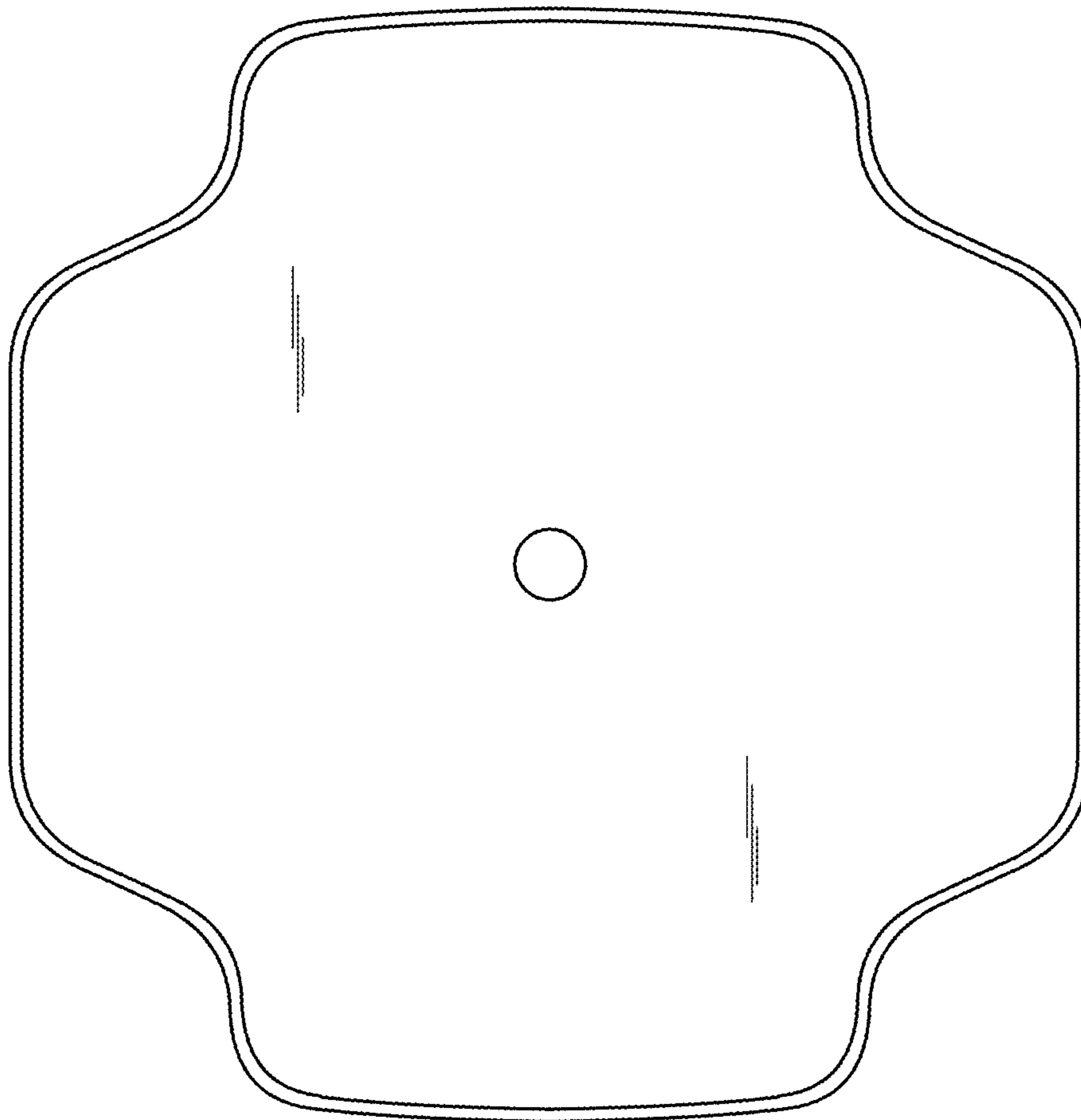


Fig. 9

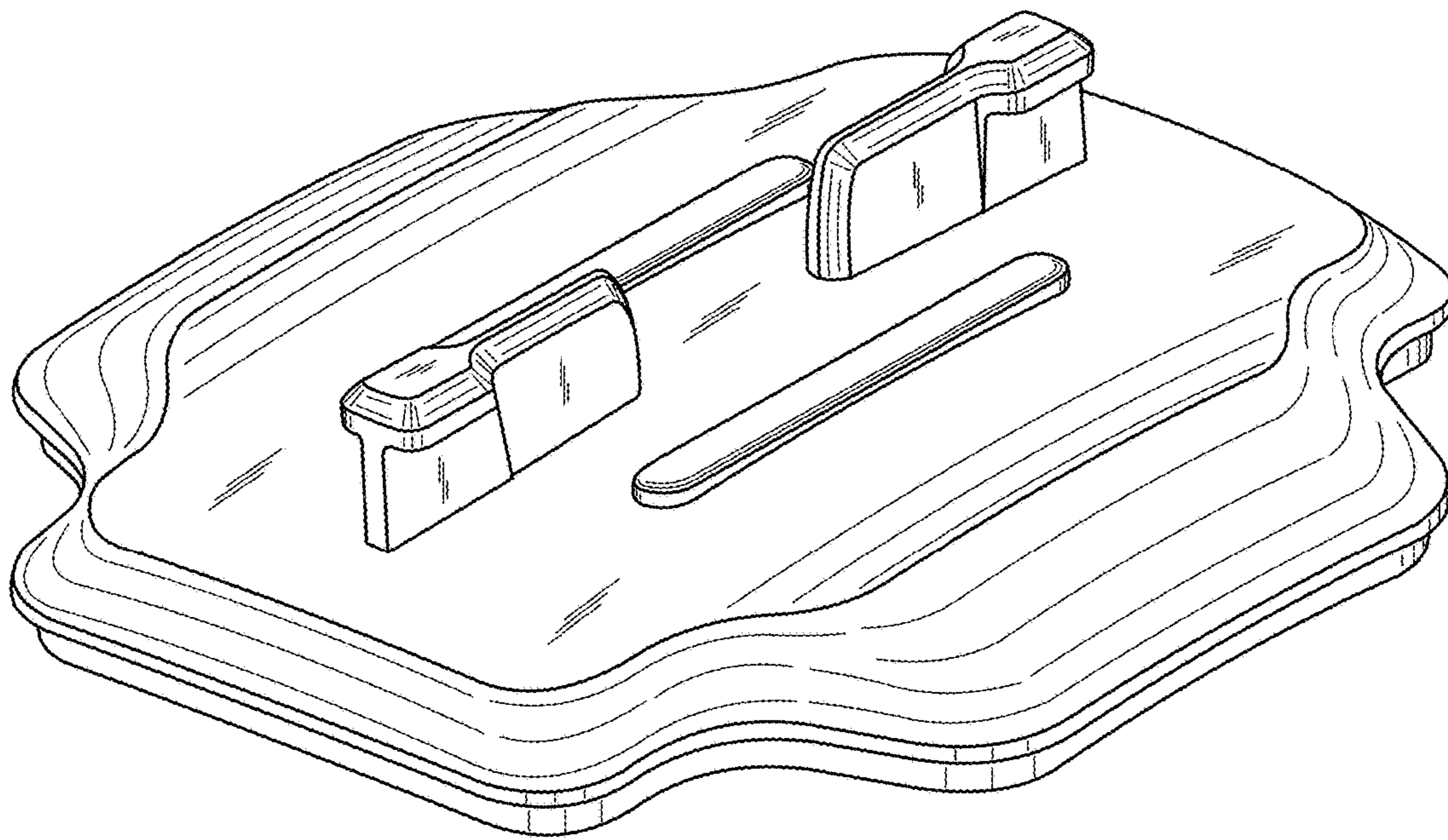


Fig. 10