



US00D785070S

(12) **United States Design Patent** (10) **Patent No.:** **US D785,070 S**  
**Mistry et al.** (45) **Date of Patent:** **\*\* Apr. 25, 2017**

(54) **CAMERA RIG**  
(71) Applicant: **SAMSUNG ELECTRONICS CO., LTD.**, Suwon-si (KR)  
(72) Inventors: **Pranav Mistry**, Campbell, CA (US); **Curtis D. Aumiller**, San Jose, CA (US); **Chengyuan Wei**, Sunnyvale, CA (US); **Jaiwei Zhang**, Sunnyvale, CA (US)

D729,861 S \* 5/2015 Huang ..... D16/203  
D734,380 S \* 7/2015 Tzarnotzky ..... D16/207  
2001/0043737 A1\* 11/2001 Rogina ..... G06K 9/209  
382/154  
2015/0348580 A1\* 12/2015 van Hoff ..... G11B 19/20  
348/38  
2016/0191815 A1\* 6/2016 Annau ..... H04N 5/247  
348/38

(Continued)

(73) Assignee: **SAMSUNG ELECTRONICS CO., LTD.**, Suwon-si (KR)

(\*\*) Term: **15 Years**

(21) Appl. No.: **29/543,755**

(22) Filed: **Oct. 28, 2015**

(51) **LOC (10) Cl.** ..... **16-05**

(52) **U.S. Cl.**  
USPC ..... **D16/219**; D16/207

(58) **Field of Classification Search**  
USPC ..... D16/200, 202, 203, 204, 207, 208, 210, D16/214, 218, 219, 242, 245; D10/65, D10/70, 74, 106.6  
CPC ..... G02B 27/22; G06K 9/209; G11B 19/20; H04N 5/2254; H04N 5/23238; H04N 5/247; H04N 13/0022; H04N 13/0242; G06T 1/0007; G06T 7/0022

See application file for complete search history.

(56) **References Cited**

**U.S. PATENT DOCUMENTS**

D412,676 S \* 8/1999 Layes ..... D10/106.6  
6,141,034 A \* 10/2000 McCutchen ..... G02B 27/22  
348/36  
D594,357 S \* 6/2009 Riddiford ..... D10/65  
D630,955 S \* 1/2011 McAlpine ..... D10/74  
D645,071 S \* 9/2011 Hinkel ..... D16/203  
D664,178 S \* 7/2012 Hinkel ..... D16/203  
D700,080 S \* 2/2014 Broadbent ..... D10/65

**OTHER PUBLICATIONS**  
Terndrup, Matthew, "First Impressions of Project Beyond, Samsung's 360 3D Camera for VR", posted at roadtovr.com, Nov. 13, 2014, [site visited Aug. 15, 2016]. Available from Internet: <<http://www.roadtovr.com/first-impressions-project-beyond-samsungs-360-3d-camera-vr>>.\*

(Continued)

*Primary Examiner* — Celia Murphy  
*Assistant Examiner* — John M Otte  
(74) *Attorney, Agent, or Firm* — Sughrue Mion, PLLC

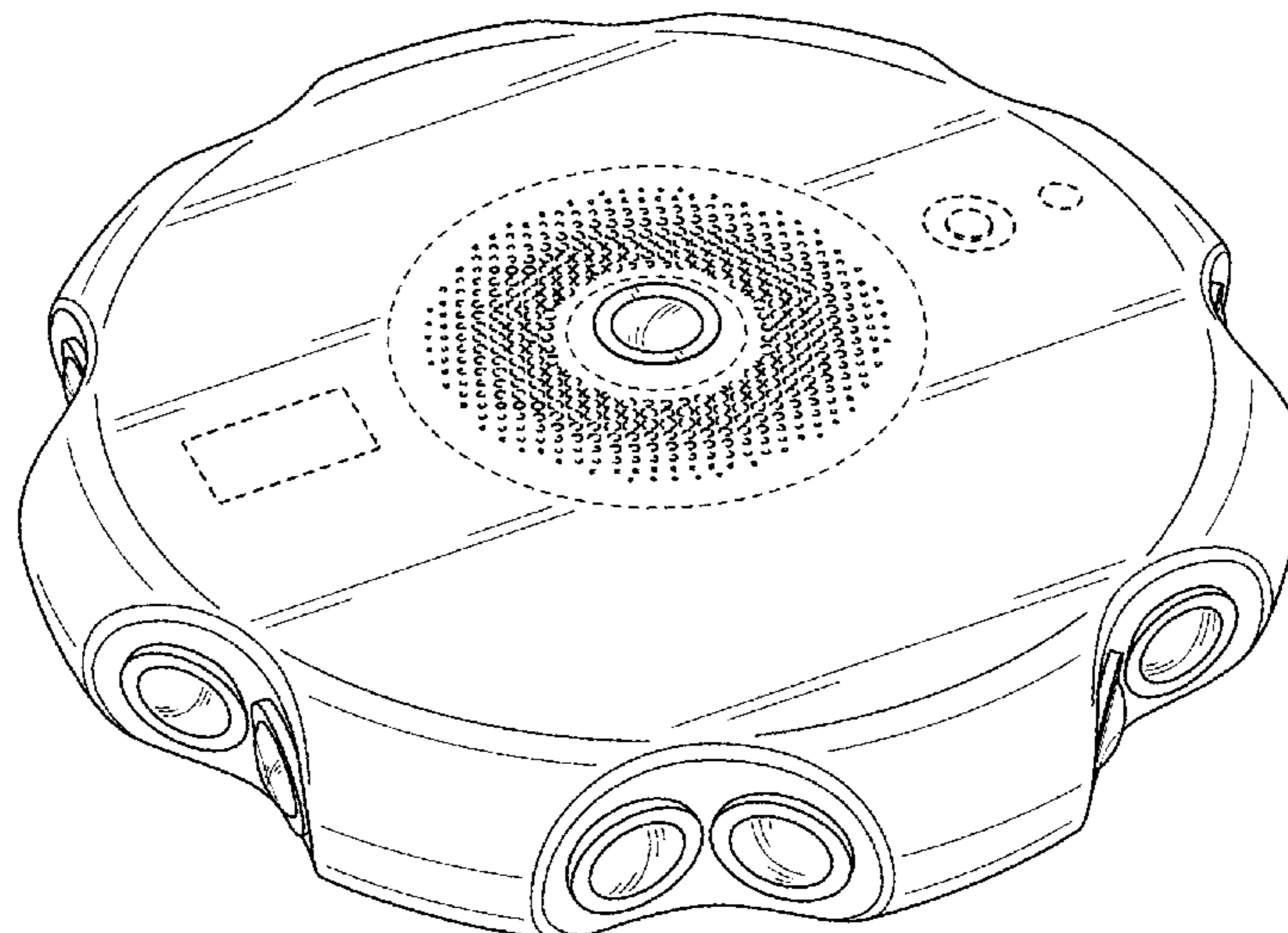
(57) **CLAIM**

The ornamental design for a camera rig, as shown and described.

**DESCRIPTION**

FIG. 1 is a top front perspective view of a camera rig showing our new design;  
FIG. 2 is a front view thereof;  
FIG. 3 is a rear view thereof;  
FIG. 4 is a left view thereof;  
FIG. 5 is a right view thereof;  
FIG. 6 is a top view thereof; and,  
FIG. 7 is a bottom view thereof.  
The features shown in dash-dash broken lines form no part of the claimed design.  
The dash-dot line shows a boundary between the claimed and unclaimed portion of the bottom surface.

**1 Claim, 5 Drawing Sheets**



(56)

**References Cited**

U.S. PATENT DOCUMENTS

2016/0212409 A1\* 7/2016 Cole ..... H04N 13/0022

OTHER PUBLICATIONS

Khan, Aurangzeb, "PanaCast Panoramic Camera & Apps", posted at kickstarter.com, Nov. 6, 2013, [site visited Aug. 15, 2016]. Available from Internet: <<https://www.kickstarter.com/projects/panacast/panacast-panoramic-camera-and-apps>>.\*

O'Kane, Sean, "GoPro made a crazy 16-camera rig for Google Jump", posted at theverge.com, May 28, 2015, [site visited Aug. 15, 2016]. Available from Internet: <<http://www.theverge.com/2015/5/28/8673367/google-io-2015-gopro-3d-vr-cameras-360-degree>>.\*

"360 Camera Products", posted at 360cameraonline.com, Feb. 9, 2015, [site visited Aug. 15, 2016]. Available from Internet: <<http://360cameraonline.com/known-360-cameras>>.\*

\* cited by examiner

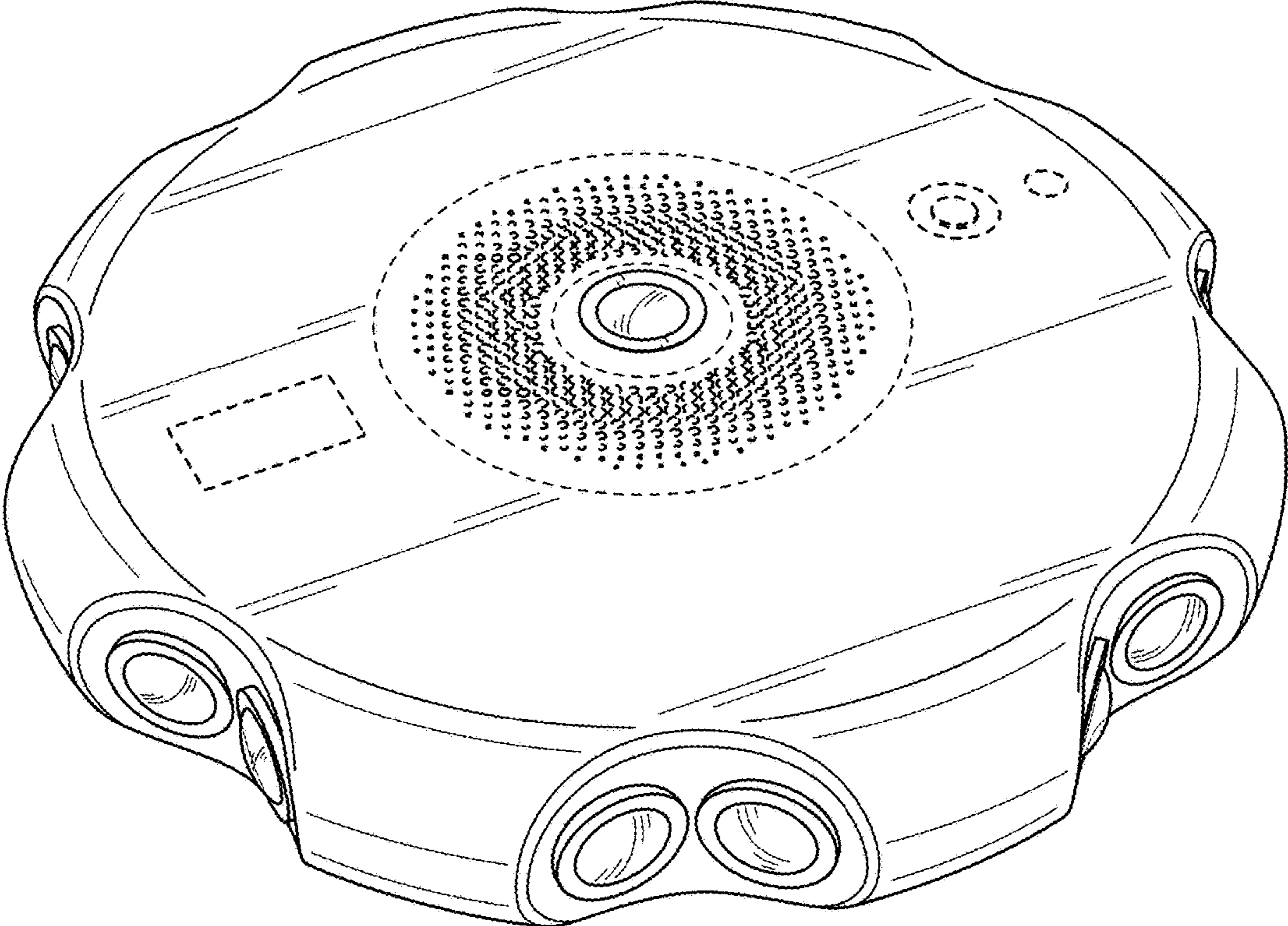


FIG. 1

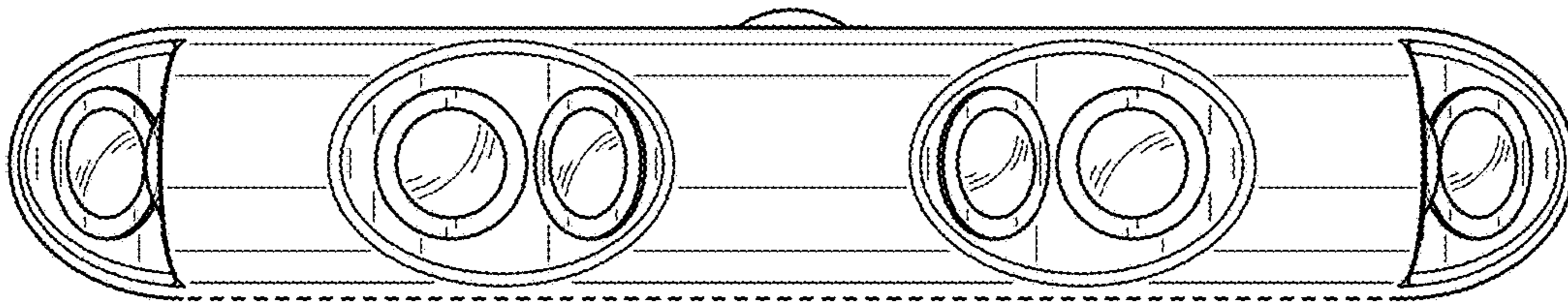


FIG. 2

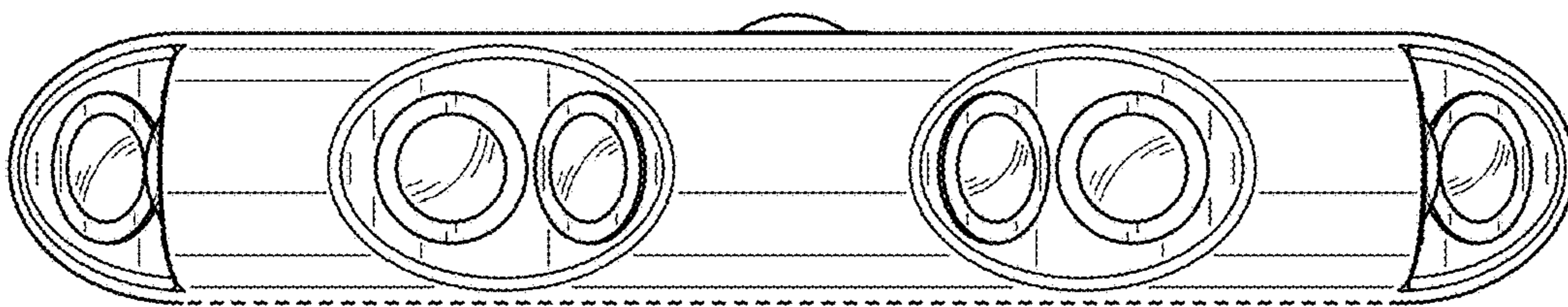


FIG. 3

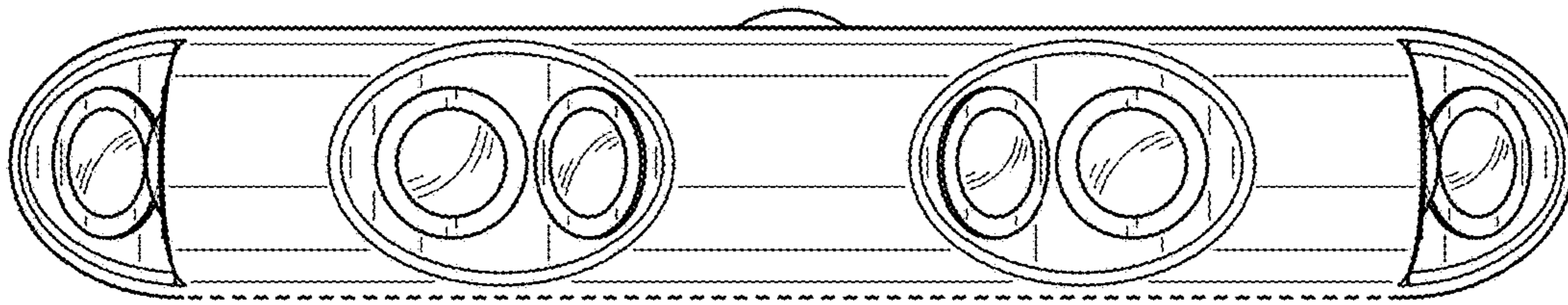


FIG. 4

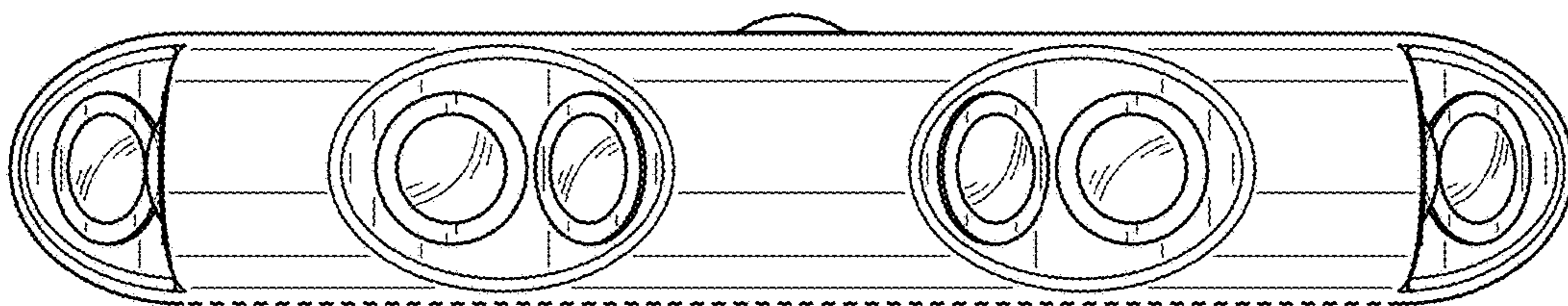


FIG. 5

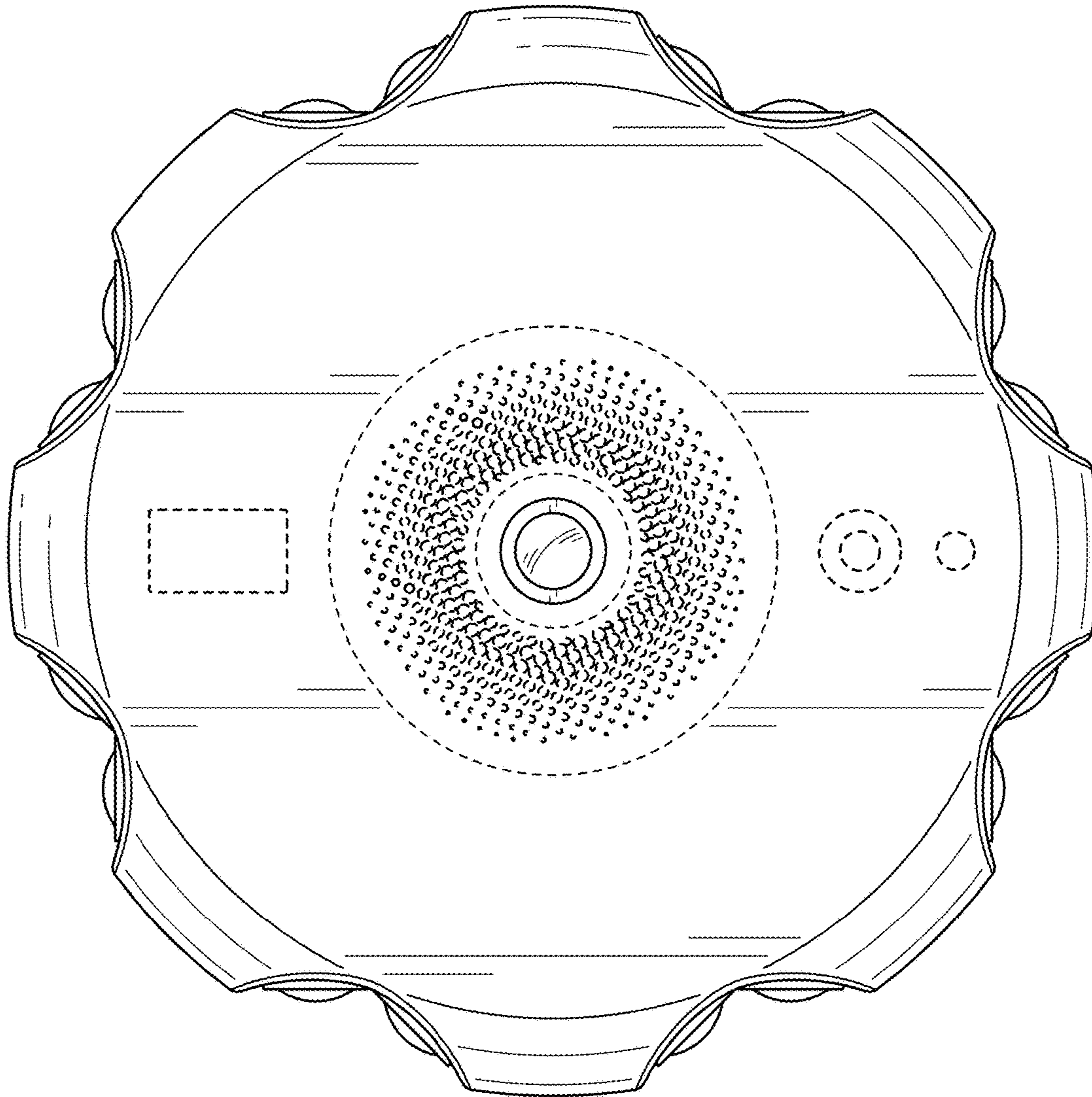


FIG. 6

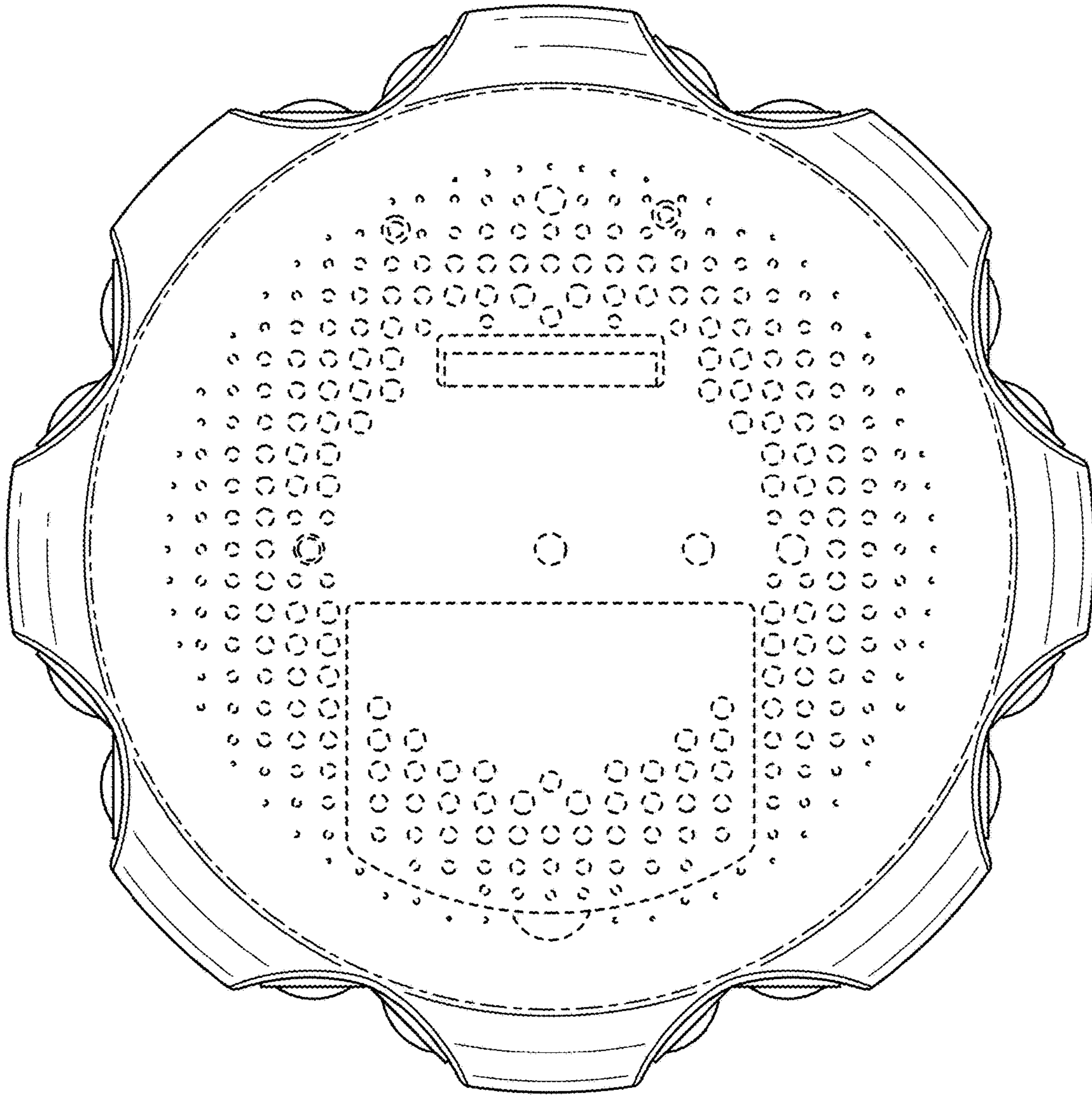


FIG. 7