



US00D785068S

(12) **United States Design Patent**
Patsis et al.

(10) **Patent No.:** **US D785,068 S**
(45) **Date of Patent:** **** Apr. 25, 2017**

(54) **CAMERA HOUSING**

(71) Applicants: **Steve Patsis**, Islip, NY (US); **Steven G. Patsis**, Islip, NY (US); **Maikalani Kaiolohia Robb**, San Clemente, CA (US)

(72) Inventors: **Steve Patsis**, Islip, NY (US); **Steven G. Patsis**, Islip, NY (US); **Maikalani Kaiolohia Robb**, San Clemente, CA (US)

(73) Assignee: **Go Cube, Inc.**, San Clemente, CA (US)

(**) Term: **15 Years**

(21) Appl. No.: **29/538,296**

(22) Filed: **Sep. 2, 2015**

(51) **LOC (10) Cl.** **16-01**

(52) **U.S. Cl.**
USPC **D16/218; D16/200**

(58) **Field of Classification Search**
USPC D9/414, 418, 427, 430, 432; D6/517, D6/524, 527, 528, 531, 535, 559; D14/172, 194, 204, 221; D16/200, D16/202-206, 208, 218, 219; 348/148, 348/372-376; 396/529, 535, 539-541
CPC G03B 15/03; G03B 17/02; G03B 17/04; G03B 17/56; G03B 19/04; H04N 5/2251; H04N 5/2252; H04N 5/2253; H04N 5/2254; H04N 2101/00
See application file for complete search history.

(56) **References Cited**

U.S. PATENT DOCUMENTS

4,113,137 A 9/1978 Wind
6,064,824 A 5/2000 Rink
D441,386 S * 5/2001 Yamazaki D16/203
D576,486 S * 9/2008 Koza D9/432
D616,480 S * 5/2010 Ookawa D16/218

7,801,425 B2 9/2010 Fantone et al.
8,014,656 B2 9/2011 Woodman
D646,313 S 10/2011 Woodman
D647,935 S * 11/2011 Raken D16/202
D657,808 S 4/2012 Woodman
8,244,118 B2 8/2012 Stansbury
(Continued)

OTHER PUBLICATIONS

Bumper Pendant Case for Polaroid Cube Lifestyle Action Camera, www.polaroid.com/products/bumper-case-for-polaroid-cube, printed Oct. 20, 2015.

(Continued)

Primary Examiner — Philip S Hyder
Assistant Examiner — Ramzi Almatrahi

(74) *Attorney, Agent, or Firm* — Carter, DeLuca, Farrell & Schmidt, LLP

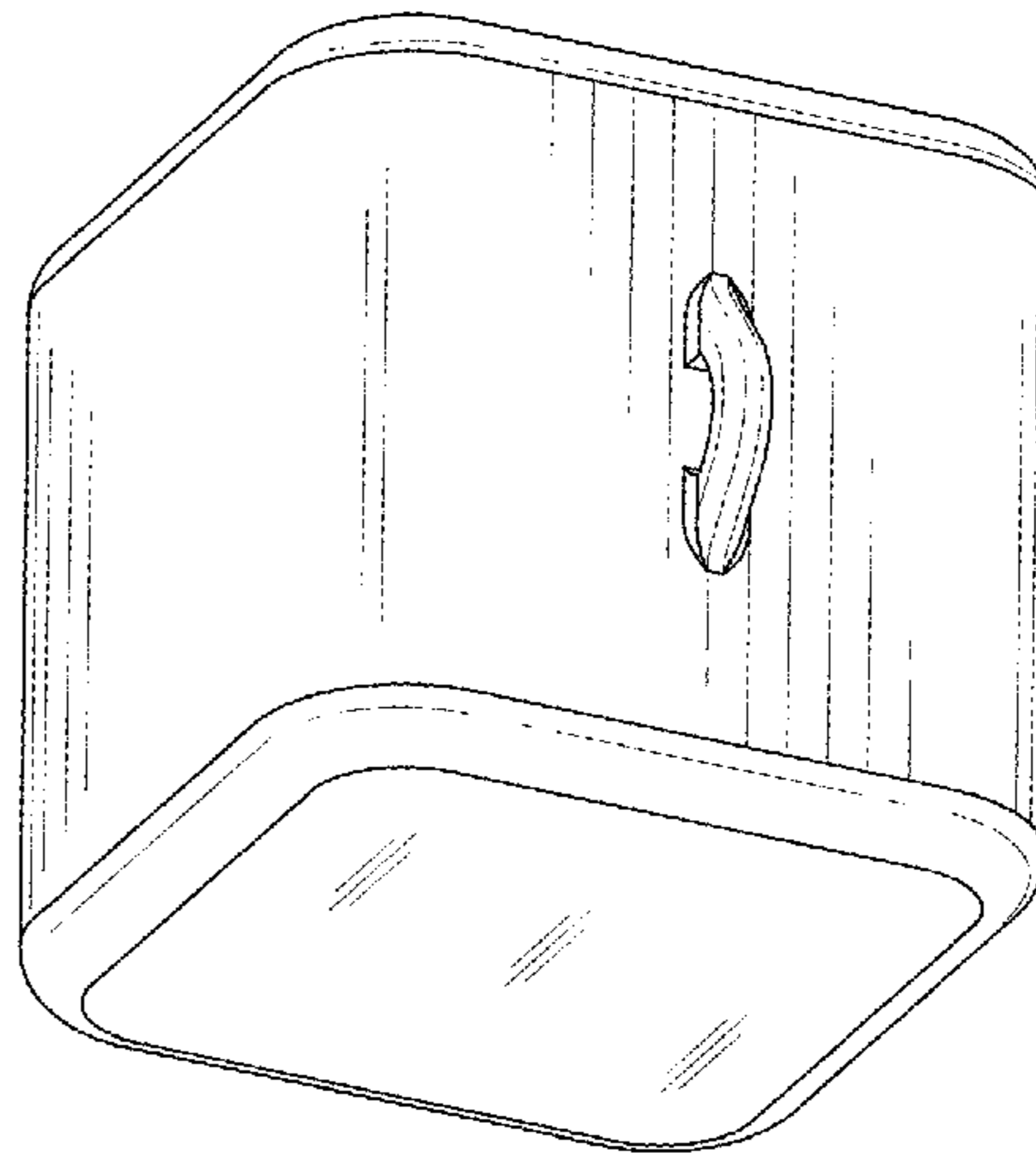
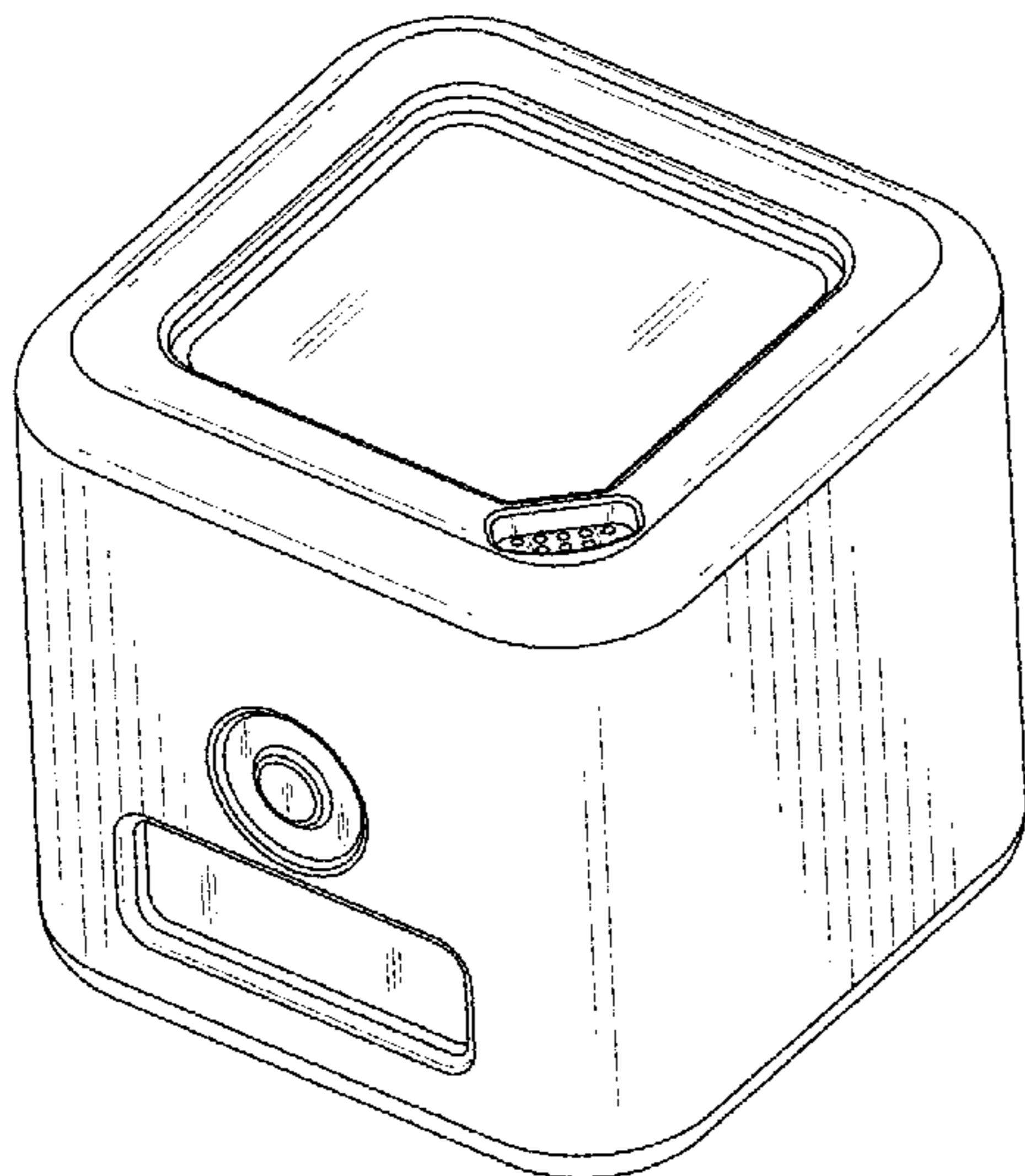
(57) **CLAIM**

The ornamental design for a camera housing, as shown and described.

DESCRIPTION

FIG. 1 is a front perspective view of a camera housing according to the present design;
FIG. 2 is a rear perspective view of the camera housing of FIG. 1;
FIG. 3 is a top plan view of the camera housing of FIG. 1;
FIG. 4 is a bottom, plan view of the camera housing of FIG. 1;
FIG. 5 is a right side elevation view of the camera housing of FIG. 1;
FIG. 6 is a left side elevation view of the camera housing of FIG. 1;
FIG. 7 is a front elevation view of the camera housing of FIG. 1; and,
FIG. 8 is a rear elevation view of the camera housing of FIG. 1.

1 Claim, 4 Drawing Sheets



(56)

References Cited

U.S. PATENT DOCUMENTS

D674,428 S 1/2013 Woodman
 D674,429 S 1/2013 Woodman
 8,437,630 B2 5/2013 Wessner
 8,467,675 B2* 6/2013 Chen G03B 17/02
 348/374
 D690,280 S * 9/2013 Schul D14/168
 D699,276 S 2/2014 Samuels et al.
 D699,277 S 2/2014 Samuels et al.
 D702,276 S 4/2014 Woodman
 D702,277 S 4/2014 Woodman
 D702,747 S 4/2014 Woodman et al.
 D710,921 S 8/2014 Gioscia et al.
 D710,922 S 8/2014 Gioscia et al.
 D713,868 S * 9/2014 Yang D16/202
 8,837,928 B1 9/2014 Clearman et al.
 D721,395 S 1/2015 Woodman et al.
 D724,637 S 3/2015 Samuels et al.
 D724,638 S 3/2015 Samuels et al.
 D725,169 S 3/2015 Gioscia et al.
 D727,387 S * 4/2015 Hasegawa D16/203
 D727,991 S * 4/2015 Hasegawa D16/203
 D729,761 S * 5/2015 Hu D14/194
 D730,423 S * 5/2015 Vandenbussche D16/218
 D732,593 S 6/2015 Woodman
 D734,799 S 7/2015 Woodman et al.

D735,790 S 8/2015 Gioscia et al.
 D737,879 S 9/2015 Woodman et al.
 D739,451 S 9/2015 Gioscia et al.
 9,282,226 B2 3/2016 Samuels et al.
 2008/0253756 A1 10/2008 Gourova
 2011/0147245 A1 6/2011 Yim
 2011/0216195 A1* 9/2011 Tanaka H04N 5/2253
 348/148
 2013/0321696 A1* 12/2013 Bae H04N 5/2252
 348/372

OTHER PUBLICATIONS

Polaroid Bumper Pendant Case (Black) for the Polaroid Cube, Cube+ HD Action Lifestyle Camera—Includes 90cm Lanyard & Metal Hook, http://www.amazon.com/Polaroid-Bumper-Pendent-Action-Lifestyle/dp/BOONXK3JRO/ref=pd_sim_229_4?TF8&dpiD=21TE1QQj9cL&dpSrc=sims&preST=_AC_UL160_SR160%2C160_&refRID=1C2GANOQA75X64KJ3E4H.
 Minisuit Pendant Case for Polaroid Cube HD with Necklace Lanyard and Carabiner Clip- Black, http://www.amazon.com/Minisuit-Polaroid-Cube-Necklace-Carabiner/dp/BOOTQ2Y8GU/ref=pd_sim_421_4?e=UTF8&dpiD=41K1FsqBkuL&dpSrc=sims&preST=_AC_UL160_SR160%2C160_&refRID=11FXRBR7TNW1G8ZTJB4D.

* cited by examiner

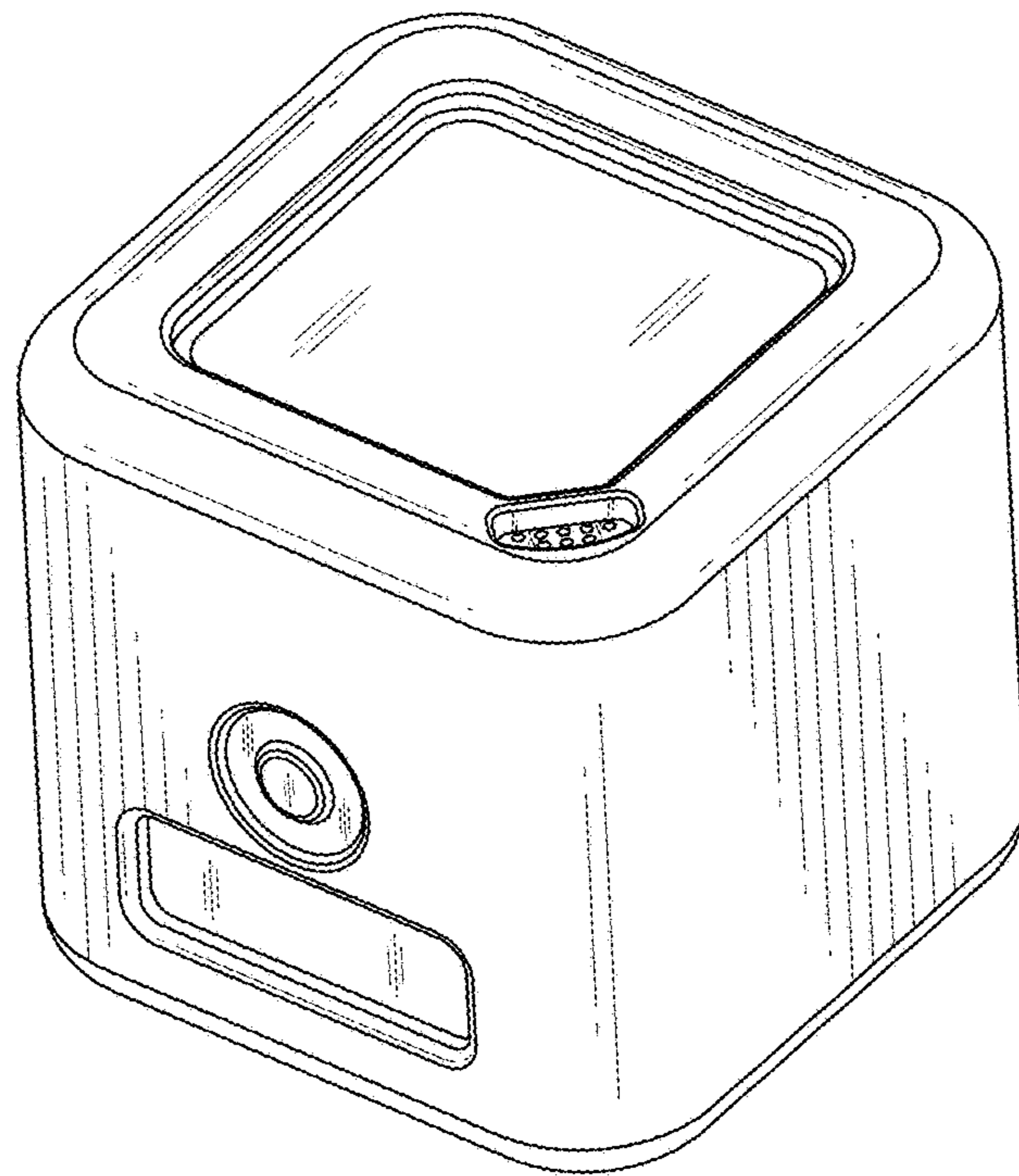


FIG. 1

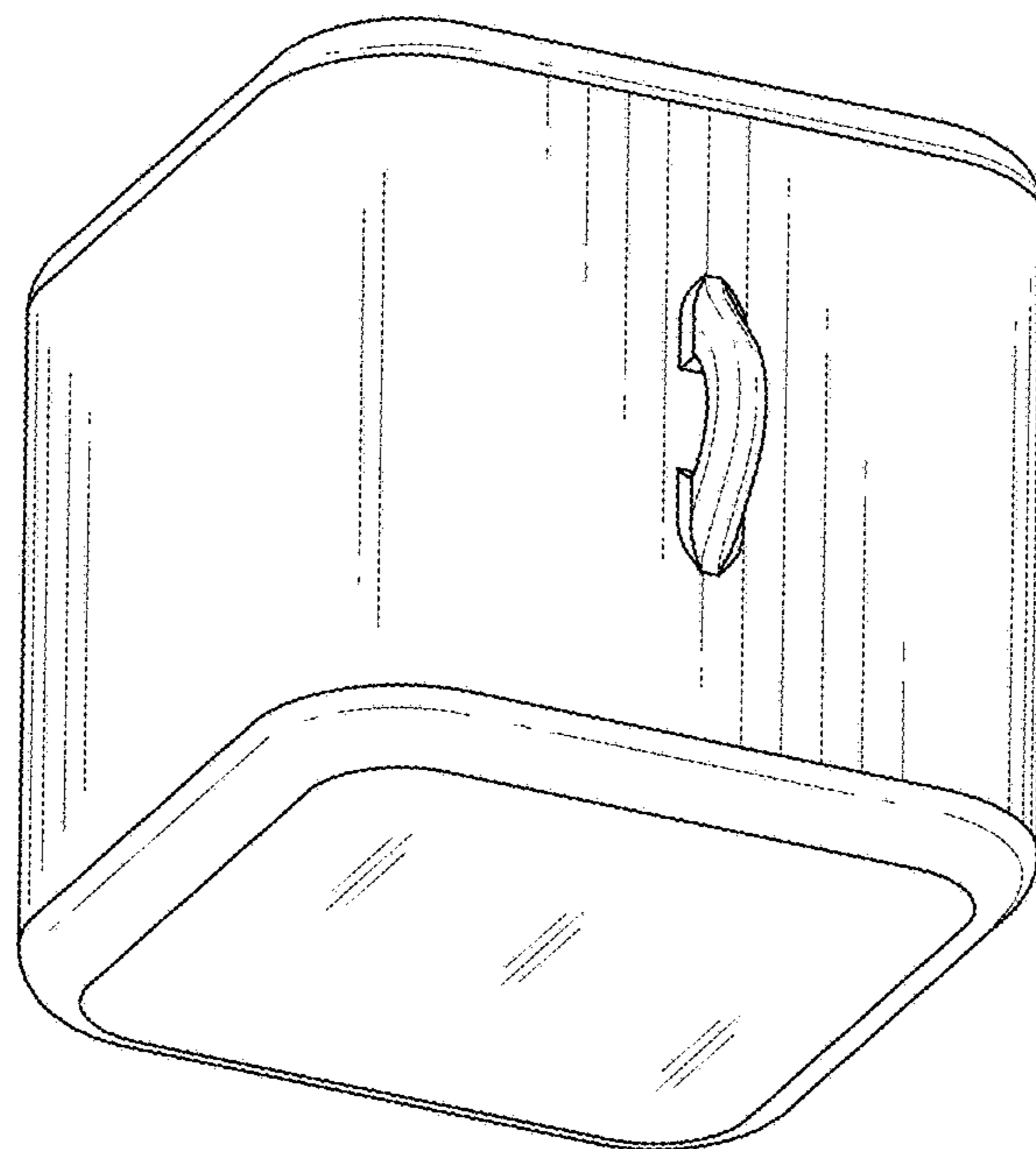


FIG. 2

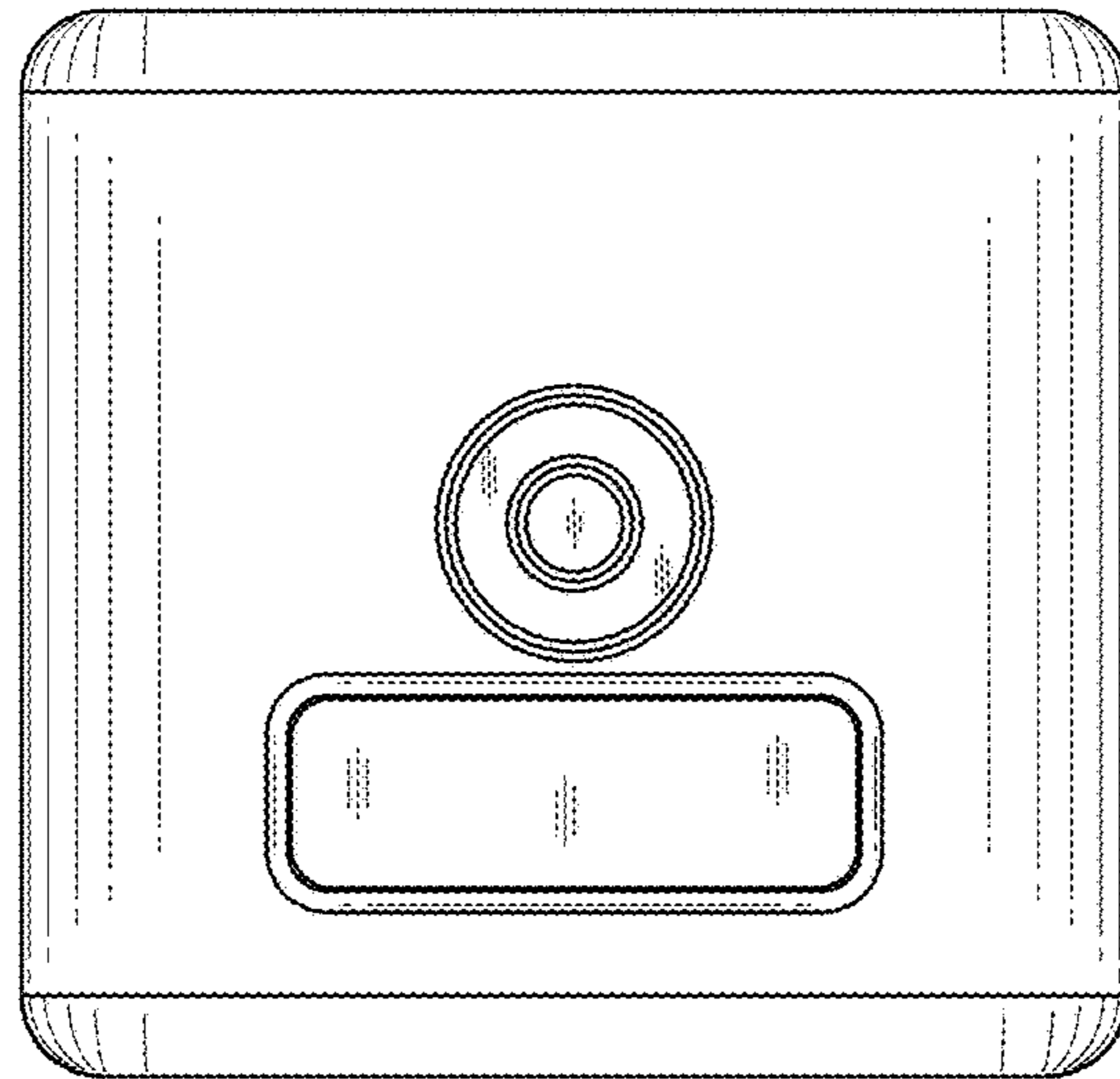


FIG. 3

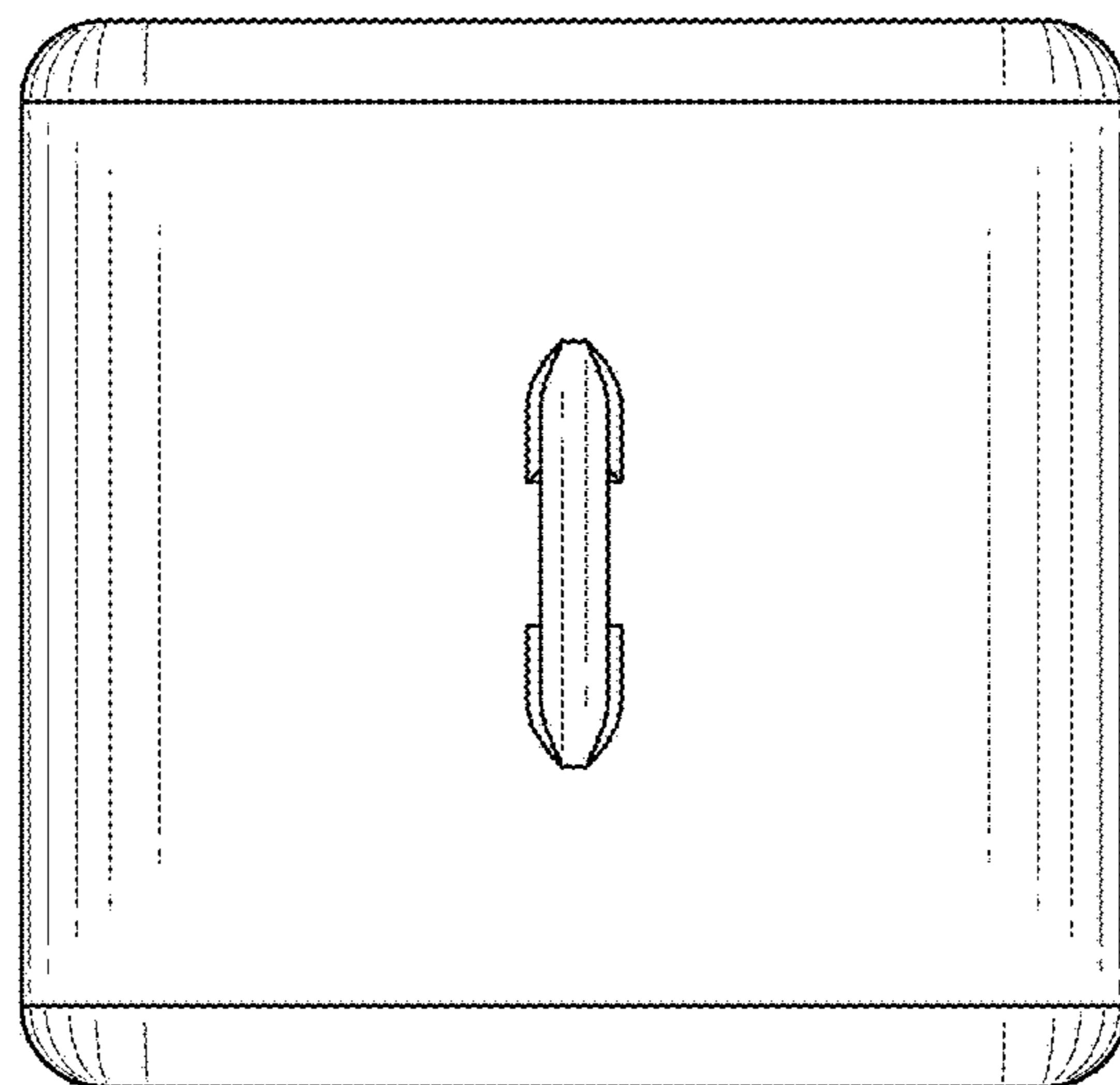


FIG. 4

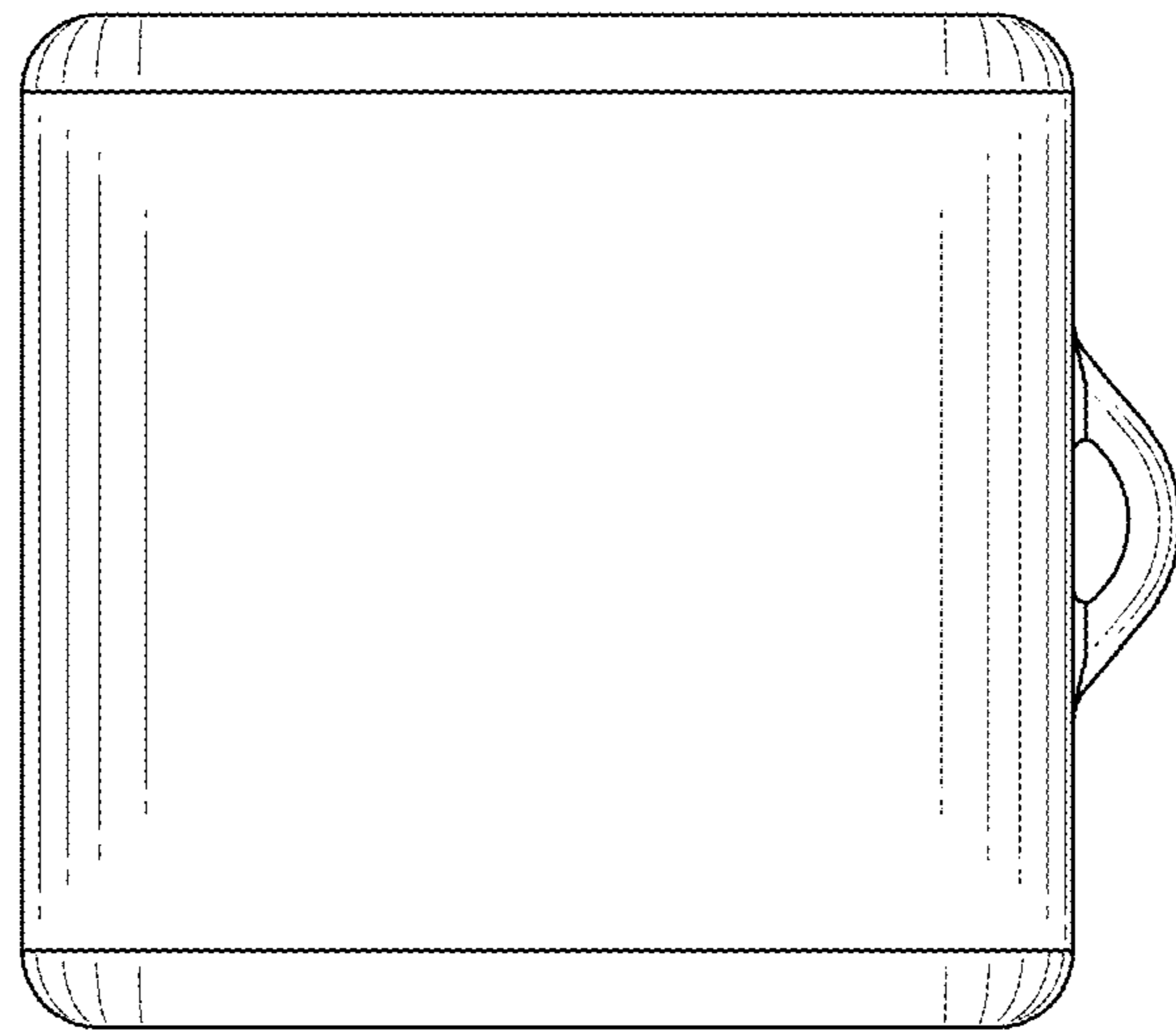


FIG. 5

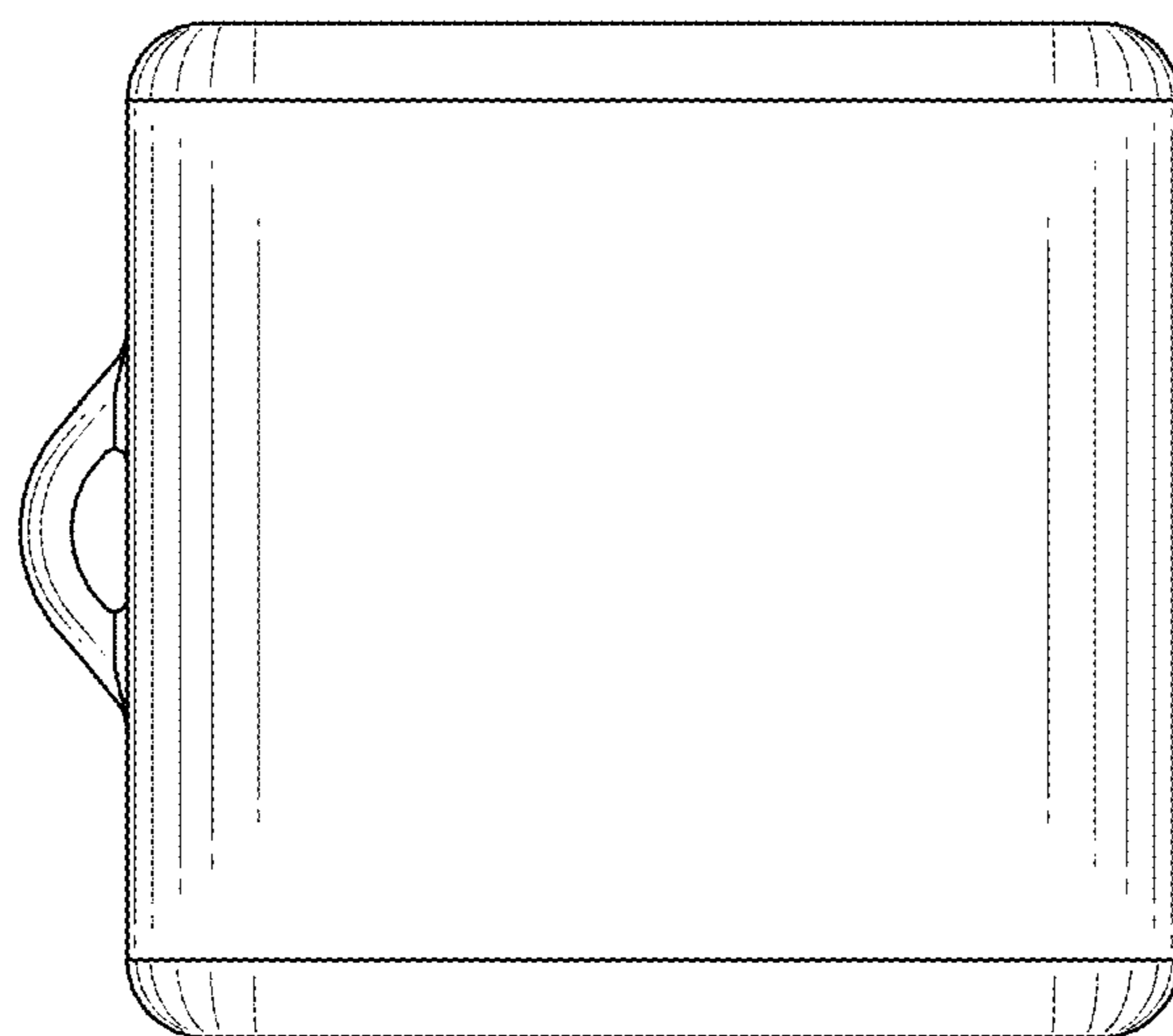


FIG. 6

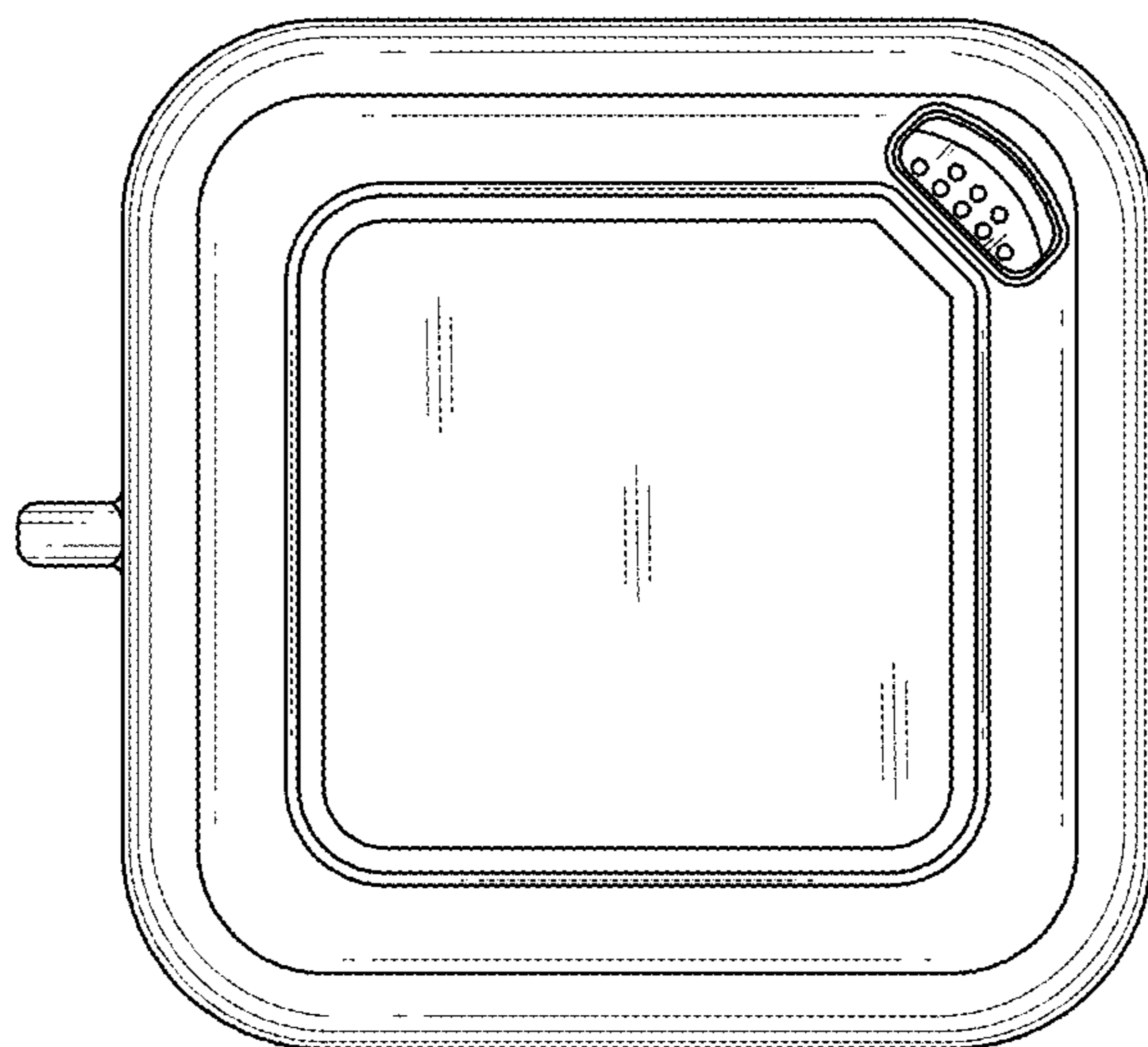


FIG. 7

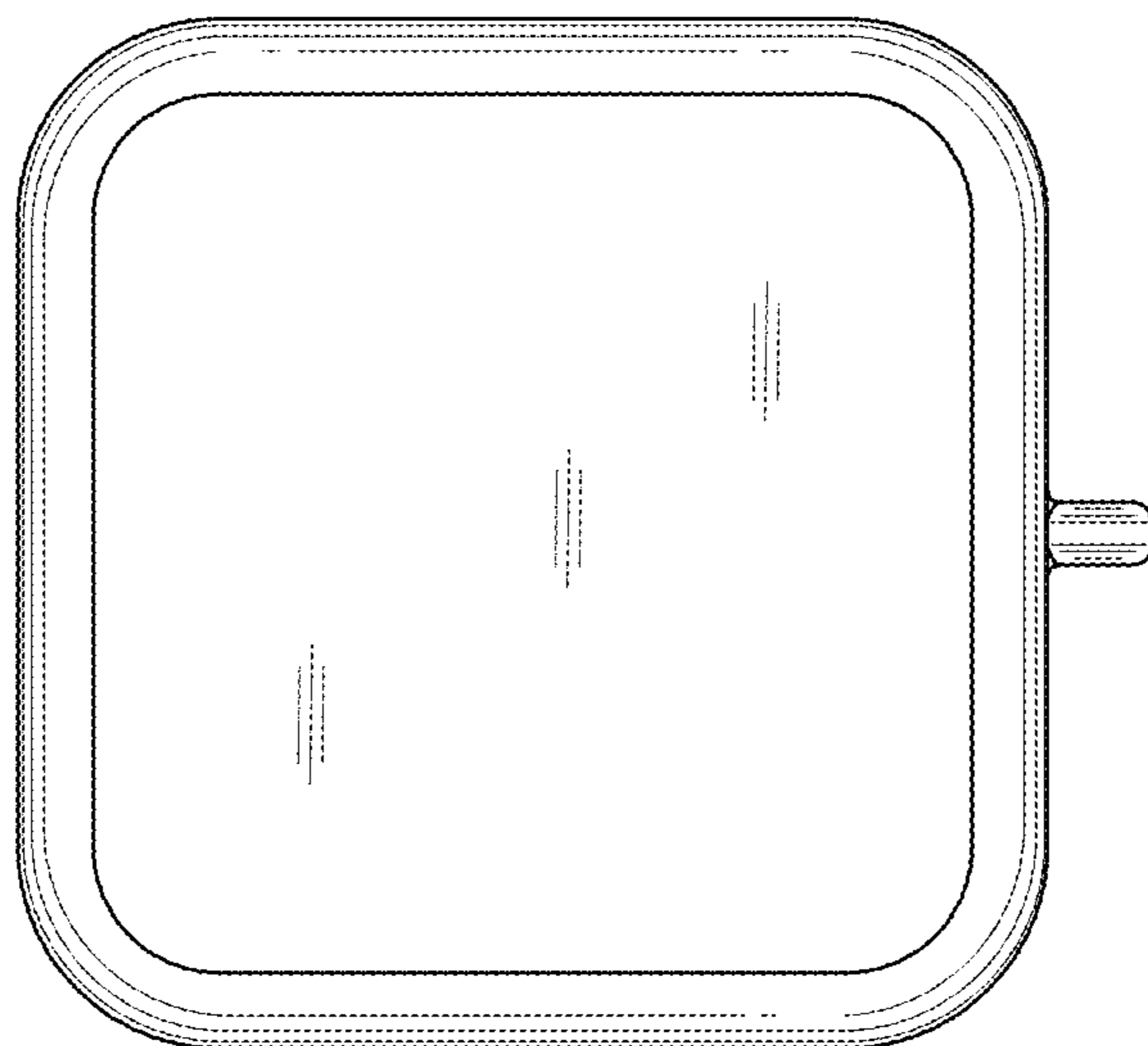


FIG. 8