



US00D785066S

(12) **United States Design Patent**  
**Liu et al.**

(10) **Patent No.:** **US D785,066 S**

(45) **Date of Patent:** **\*\* Apr. 25, 2017**

(54) **CAMERA DEVICE**

(71) Applicant: **Garmin Switzerland GmbH**,  
Schaffhausen (CH)

(72) Inventors: **Kevin Liu**, Kansas City, MO (US);  
**Derrick D. Lenz**, Olathe, KS (US);  
**Sean F. Engineer**, Kansas City, MO  
(US); **Brian F. Ruff**, Olathe, KS (US)

(73) Assignee: **Garmin Switzerland GmbH** (CH)

(\*\*) Term: **15 Years**

(21) Appl. No.: **29/540,650**

(22) Filed: **Sep. 25, 2015**

(51) **LOC (10) Cl.** ..... **16-01**

(52) **U.S. Cl.**  
USPC ..... **D16/202**

(58) **Field of Classification Search**  
USPC ..... D16/200, 202-208, 210, 218, 219;  
D14/125, 317, 138 C, 496; D21/514;  
348/143, 148, 151, 373-376; 396/419,  
396/427, 535-541

CPC ..... G03B 15/03; G03B 17/02; G03B 17/04;  
G03B 17/56; G03B 19/04; H04N 5/2251;  
H04N 5/2252; H04N 5/2253; H04N  
5/2254; H04N 2101/00

See application file for complete search history.

(56) **References Cited**

**U.S. PATENT DOCUMENTS**

D444,489 S \* 7/2001 Suto ..... D16/212  
D581,960 S \* 12/2008 Kim ..... D16/218  
7,500,794 B1 \* 3/2009 Clark ..... G03B 17/00  
348/143  
D632,718 S \* 2/2011 Tzeng ..... D16/202  
D660,338 S \* 5/2012 Chen ..... D16/202  
D687,875 S \* 8/2013 Sasaki ..... D16/202  
8,593,567 B2 \* 11/2013 Xiao ..... H04N 5/2251  
348/373  
D705,337 S \* 5/2014 Tani ..... D16/219

D721,114 S \* 1/2015 Nuk ..... D16/202  
D747,386 S \* 1/2016 Li ..... D16/208  
D754,231 S \* 4/2016 Murray ..... D16/202  
D755,270 S \* 5/2016 Vehlewald ..... D16/202  
2013/0107110 A1 \* 5/2013 Park ..... H04N 5/2252  
348/373

**OTHER PUBLICATIONS**

Garmin nüviCam™ Owner's manual, published Mar. 2015.  
Garmin Dash Cam™ 10/20 Owner's manual, published Nov. 2013.  
Garmin Dash Cam™ 30/35 Owner's manual, published Oct. 2015.  
Printout from <http://www.cnet.com/products/logitech.bemo/> pub-  
lished prior to Sep. 25, 2015.

\* cited by examiner

*Primary Examiner* — Susan E Krakower

*Assistant Examiner* — Ramzi Almatrahi

(74) *Attorney, Agent, or Firm* — Samuel M. Korte; Max  
M. Ali

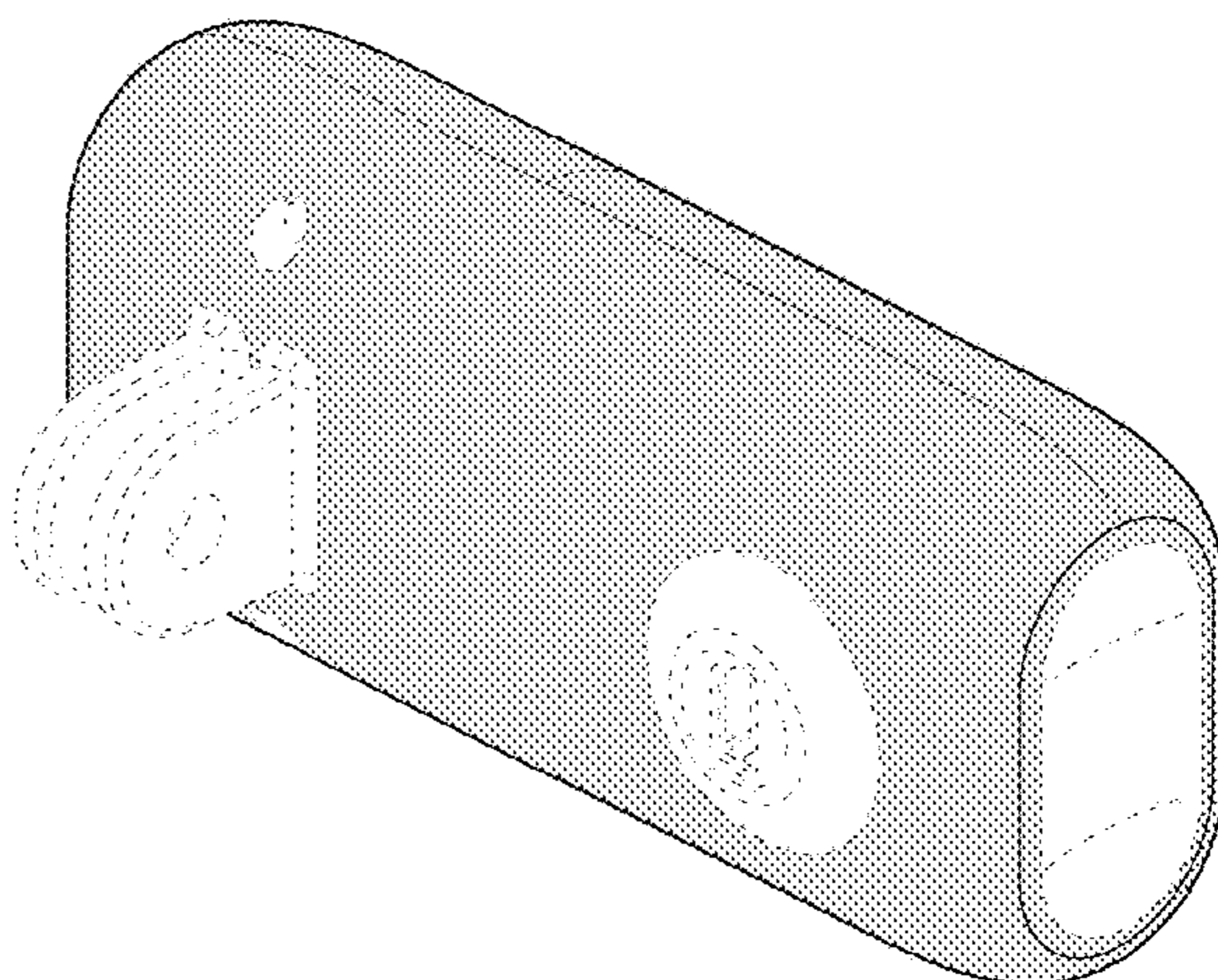
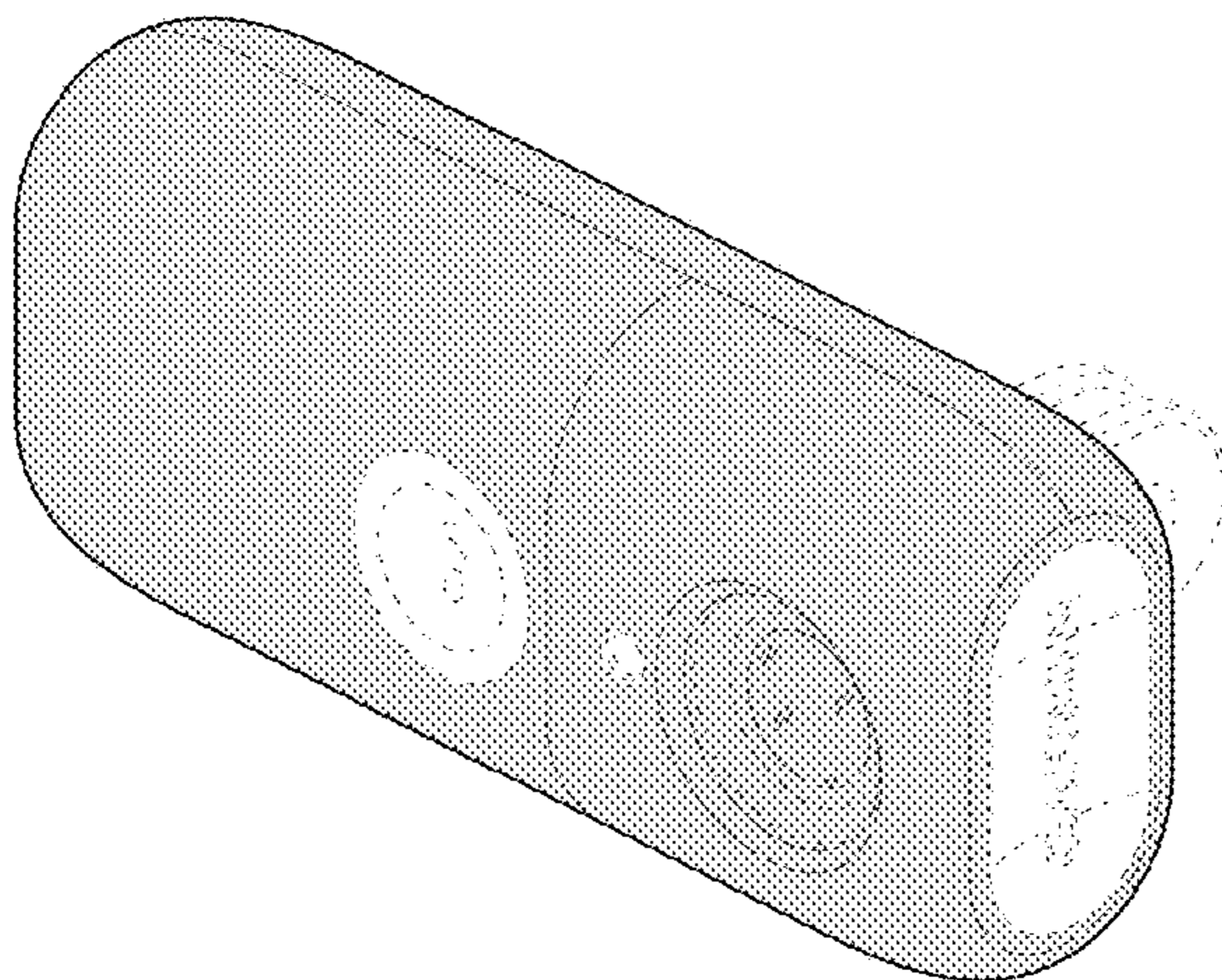
(57) **CLAIM**

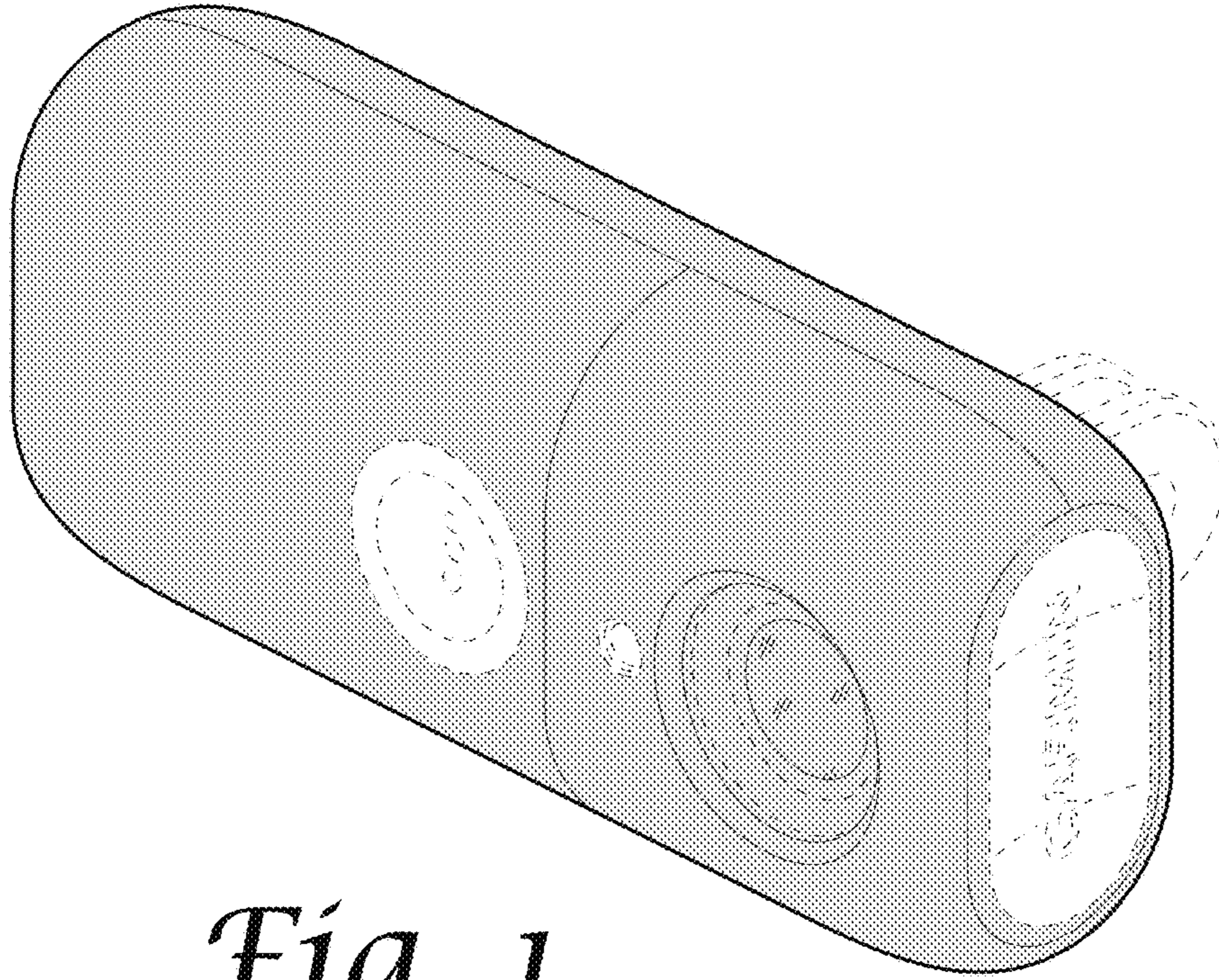
The ornamental design for a camera device, as shown and  
described.

**DESCRIPTION**

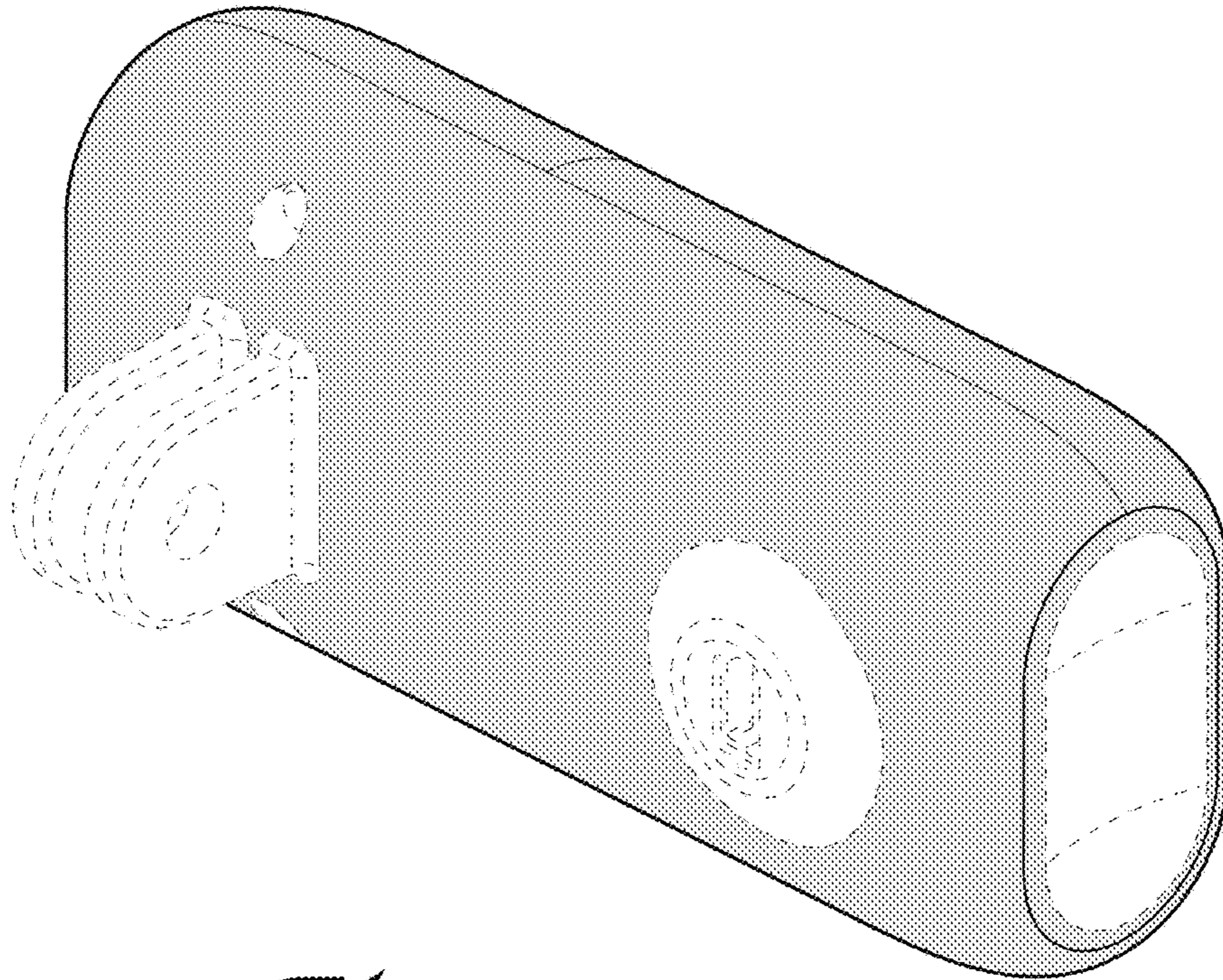
FIG. 1 is a front perspective view of a camera device  
according to the present invention;  
FIG. 2 is a rear perspective view of the camera device;  
FIG. 3 is a top view of the camera device;  
FIG. 4 is a front view of the camera device;  
FIG. 5 is a bottom view of the camera device;  
FIG. 6 is a rear view of the camera device;  
FIG. 7 is a left side view of the camera device; and,  
FIG. 8 is a right side view of the camera device.  
The broken lines shown in FIGS. 1 through 8 represent  
portions of the camera device that form no part of the  
claimed design. The "GARMIN" trademark depicted in the  
drawing figures is a trademark of Garmin Ltd. or its sub-  
sidiaries and it forms no part of the claimed design.

**1 Claim, 3 Drawing Sheets**

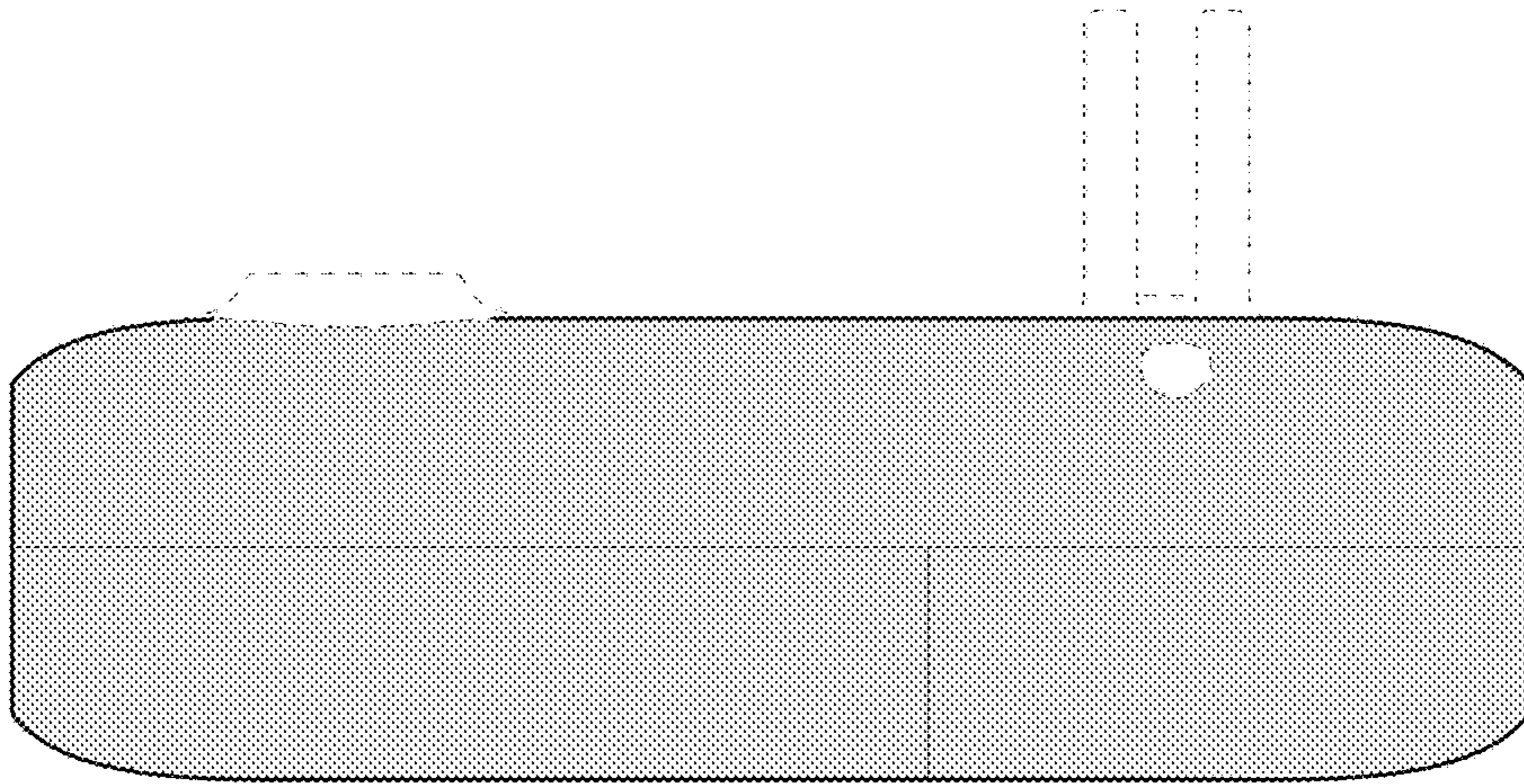




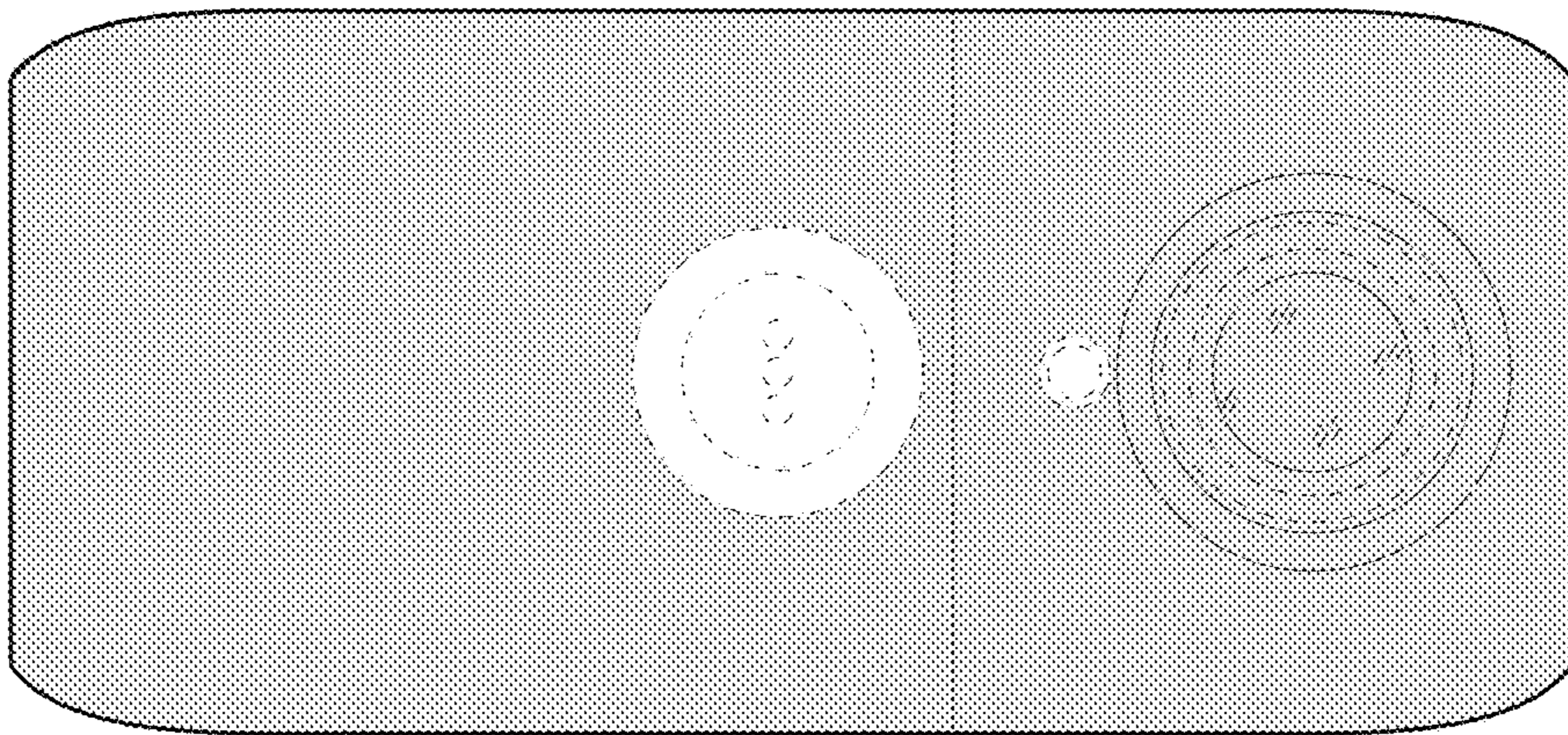
*Fig. 1*



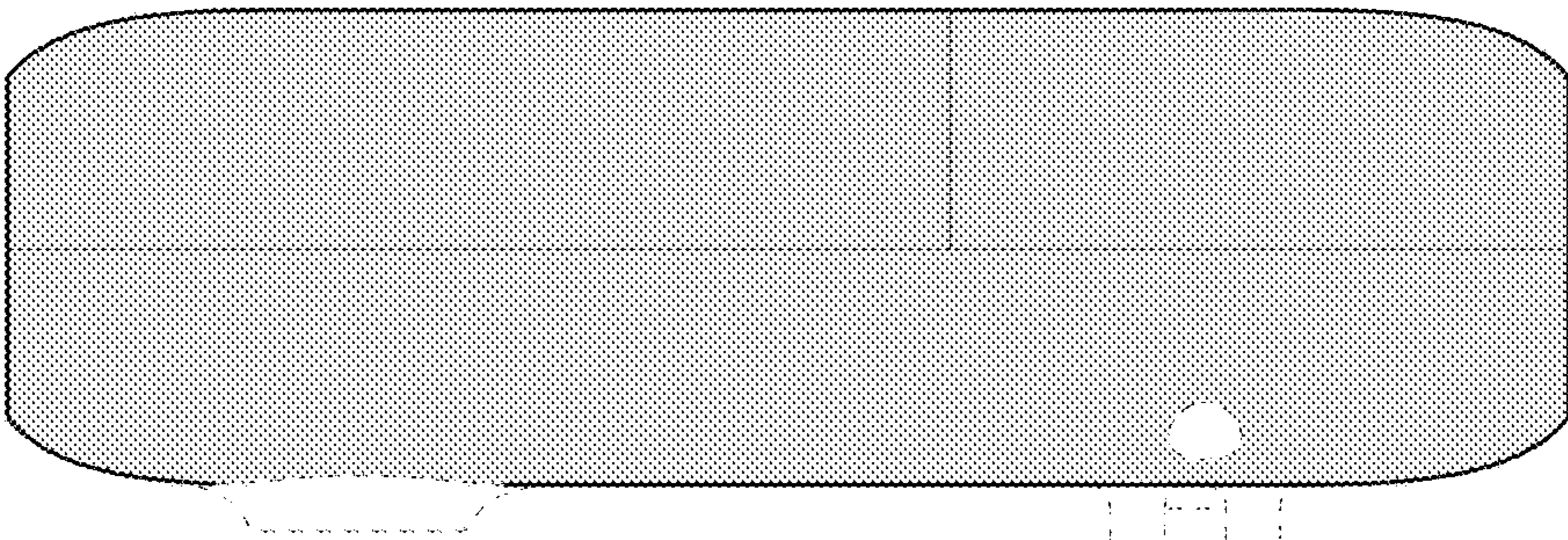
*Fig. 2*



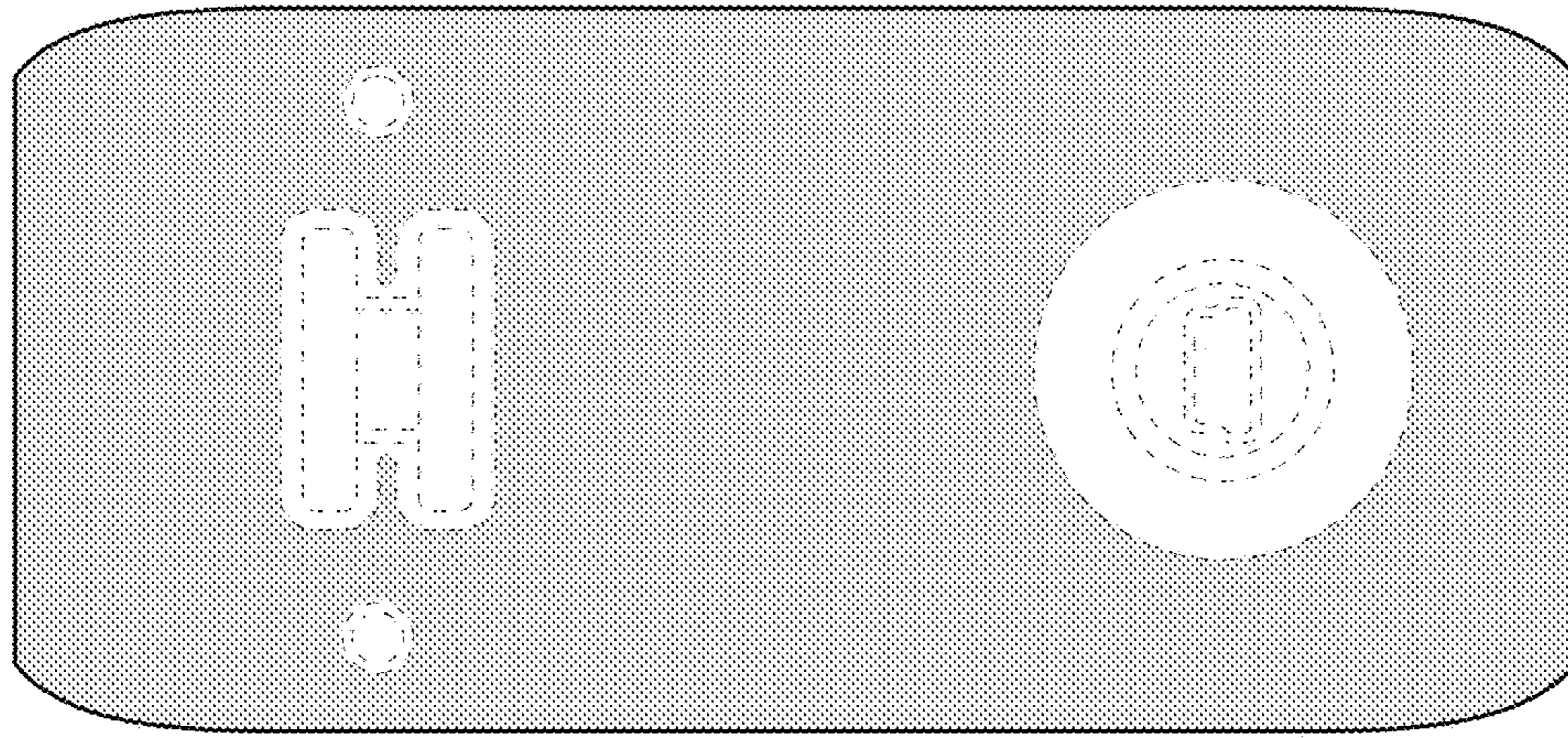
*Fig. 3*



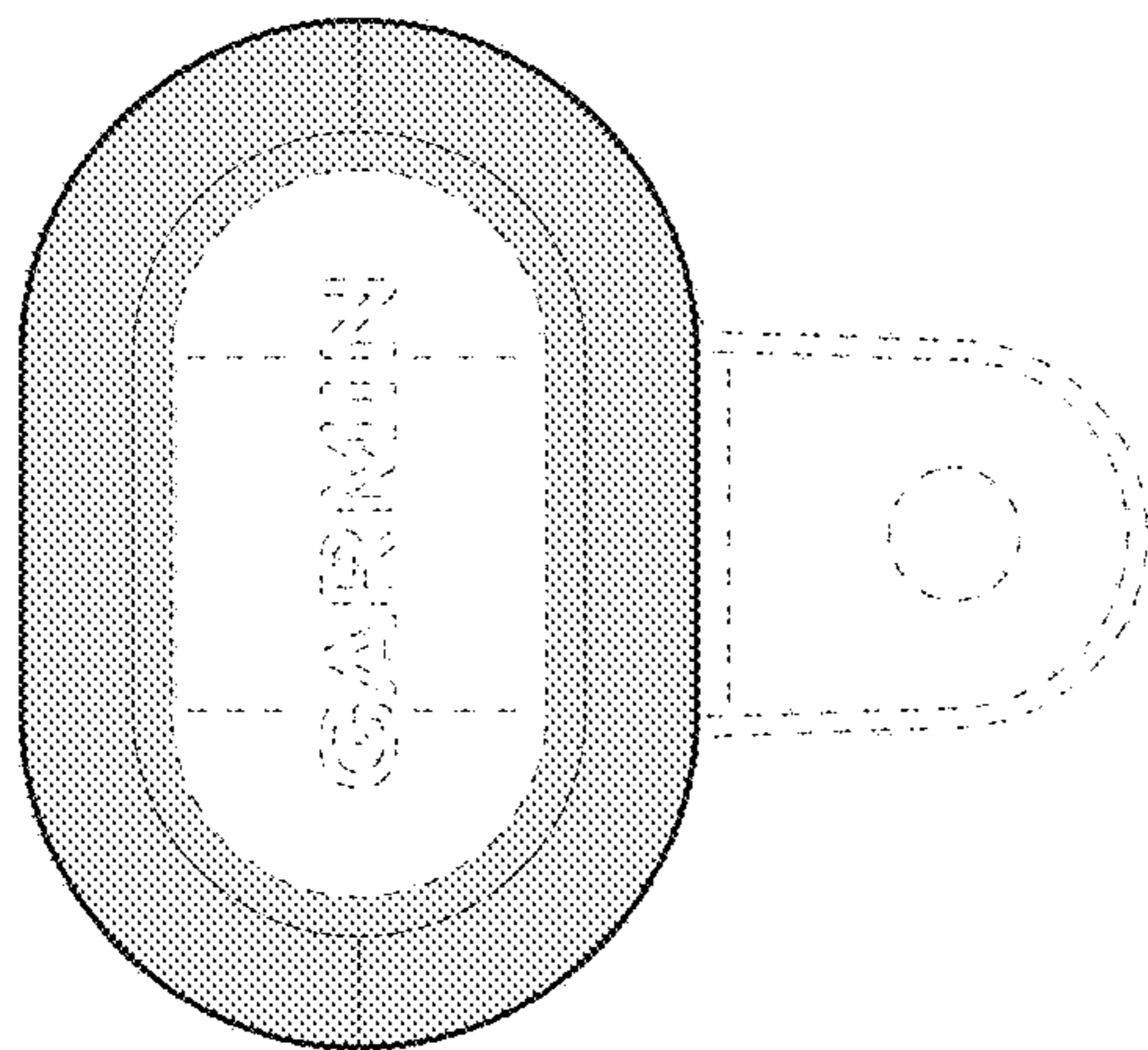
*Fig. 4*



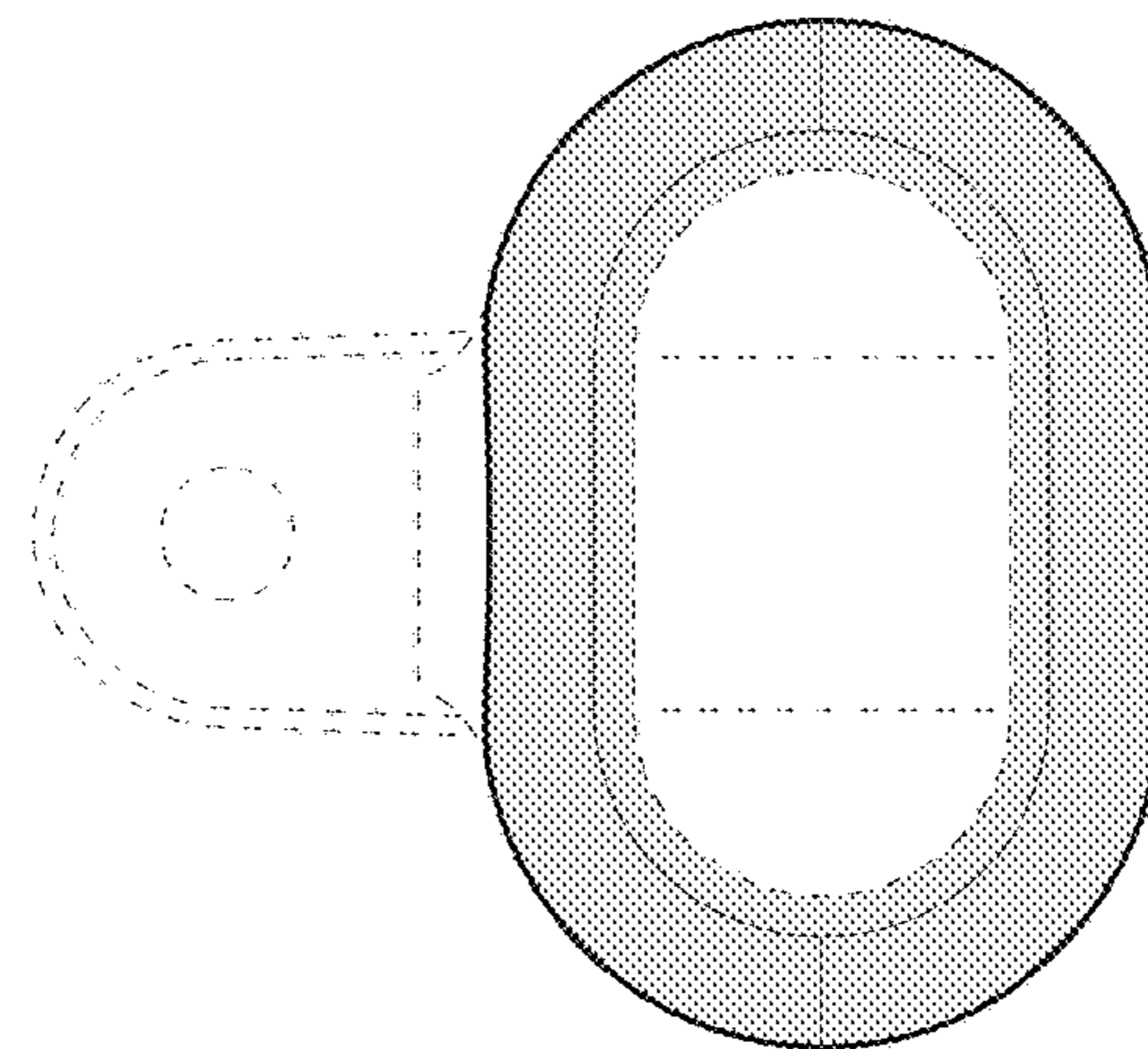
*Fig. 5*



*Fig. 6*



*Fig. 7*



*Fig. 8*