



US00D785065S

(12) **United States Design Patent** (10) **Patent No.:** **US D785,065 S**
Huang (45) **Date of Patent:** **** Apr. 25, 2017**

- (54) **MAGNIFIER**
- (71) Applicant: **GEM Optical Co., Ltd.**, Taichung (TW)
- (72) Inventor: **Yen-Hung Huang**, Taichung (TW)
- (73) Assignee: **GEM OPTICAL CO., LTD.**, Taichung (TW)
- (**) Term: **15 Years**
- (21) Appl. No.: **29/537,152**
- (22) Filed: **Aug. 23, 2015**
- (51) **LOC (10) Cl.** **16-06**
- (52) **U.S. Cl.**
USPC **D16/135**
- (58) **Field of Classification Search**
USPC D26/37; 259/798, 802, 803, 805, 808, 259/809, 810, 811, 812, 816, 817, 818, 259/819, 821; D24/137; D16/130-136, D16/200, 225, 229
See application file for complete search history.

D445,925 S *	7/2001	Parker	D26/37
D509,840 S *	9/2005	Lewis	D16/135
D532,514 S *	11/2006	Schmal	D24/133
D574,867 S *	8/2008	Lewis	D16/135
D581,572 S *	11/2008	Levine	D26/63
D586,491 S *	2/2009	Levine	D26/63
D594,555 S *	6/2009	Hsu	D24/137
D634,462 S *	3/2011	Baker	D26/37
D712,080 S *	8/2014	Trude	D26/37
D745,917 S *	12/2015	Oh	D16/136
D750,301 S *	2/2016	Marzynski	D26/37
D755,428 S *	5/2016	Green	D26/37
D757,964 S *	5/2016	Eagleman	D26/28
D758,466 S *	6/2016	Liu	D16/135
D760,895 S *	7/2016	McMahon	D24/137

* cited by examiner

Primary Examiner — Susan Bennett Hattan
Assistant Examiner — Jennifer Wright

(57) **CLAIM**

The ornamental design for a magnifier, as shown and described.

DESCRIPTION

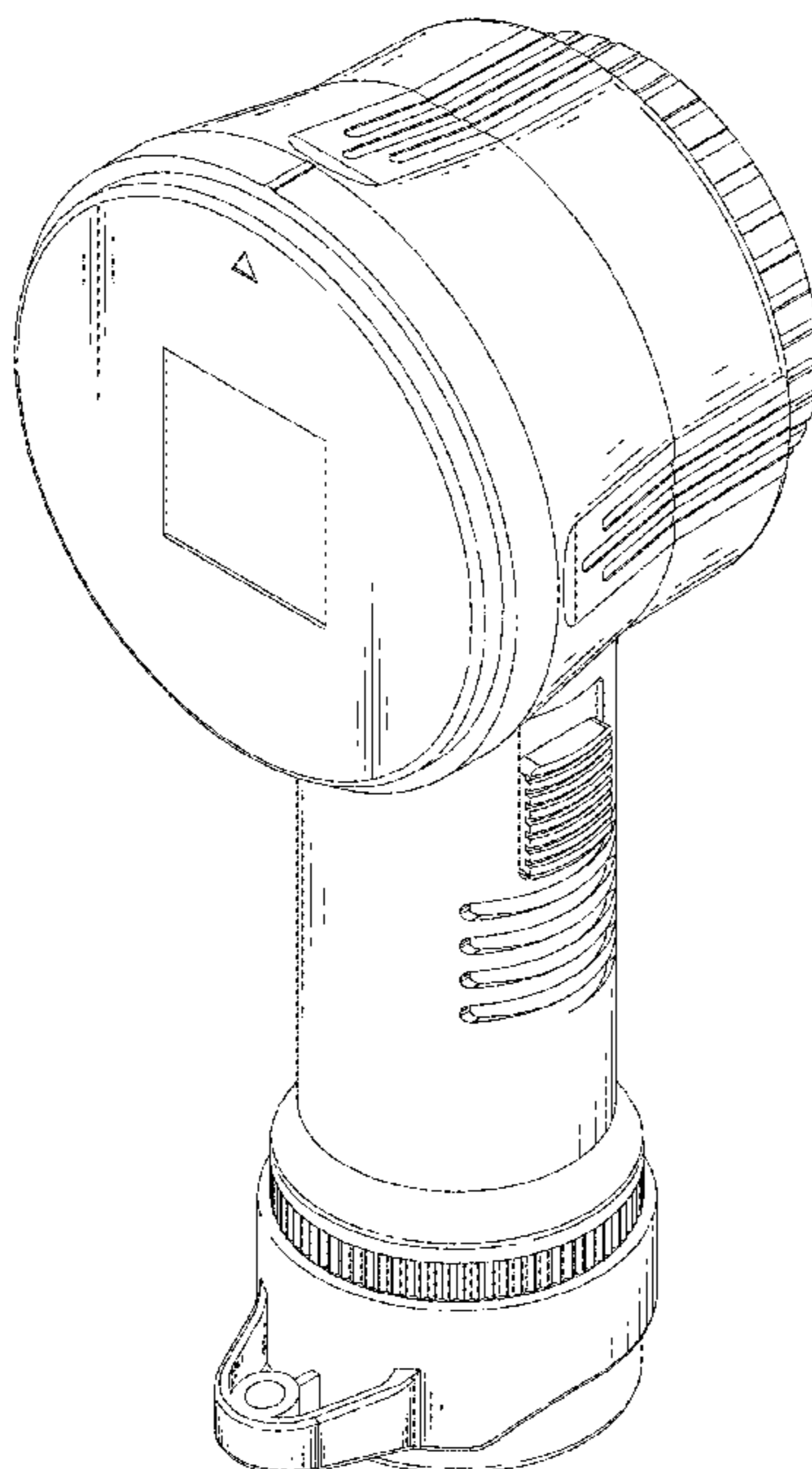
FIG. 1 is a perspective view of a magnifier showing my new design;
FIG. 2 is a front elevational view thereof;
FIG. 3 is a rear elevational view thereof;
FIG. 4 is a left side elevational view thereof;
FIG. 5 is a right side elevational view thereof;
FIG. 6 is a top plan view thereof; and,
FIG. 7 is a bottom plan view thereof.
The broken lines in the figures depict portions of the magnifier that form no part of the claimed design.

1 Claim, 7 Drawing Sheets

(56) **References Cited**

U.S. PATENT DOCUMENTS

D135,422 S *	4/1943	Austin	D16/135
D201,908 S *	8/1965	Meyer	D16/135
D286,814 S *	11/1986	Brainard, II	600/200
D297,571 S *	9/1988	Mann	D26/37
4,903,706 A *	2/1990	Vila-Cora	A61B 3/1208 351/209
D336,655 S *	6/1993	Lee	D16/135
D379,514 S *	5/1997	Laun	D24/137
D385,265 S *	10/1997	Knowles	D14/403



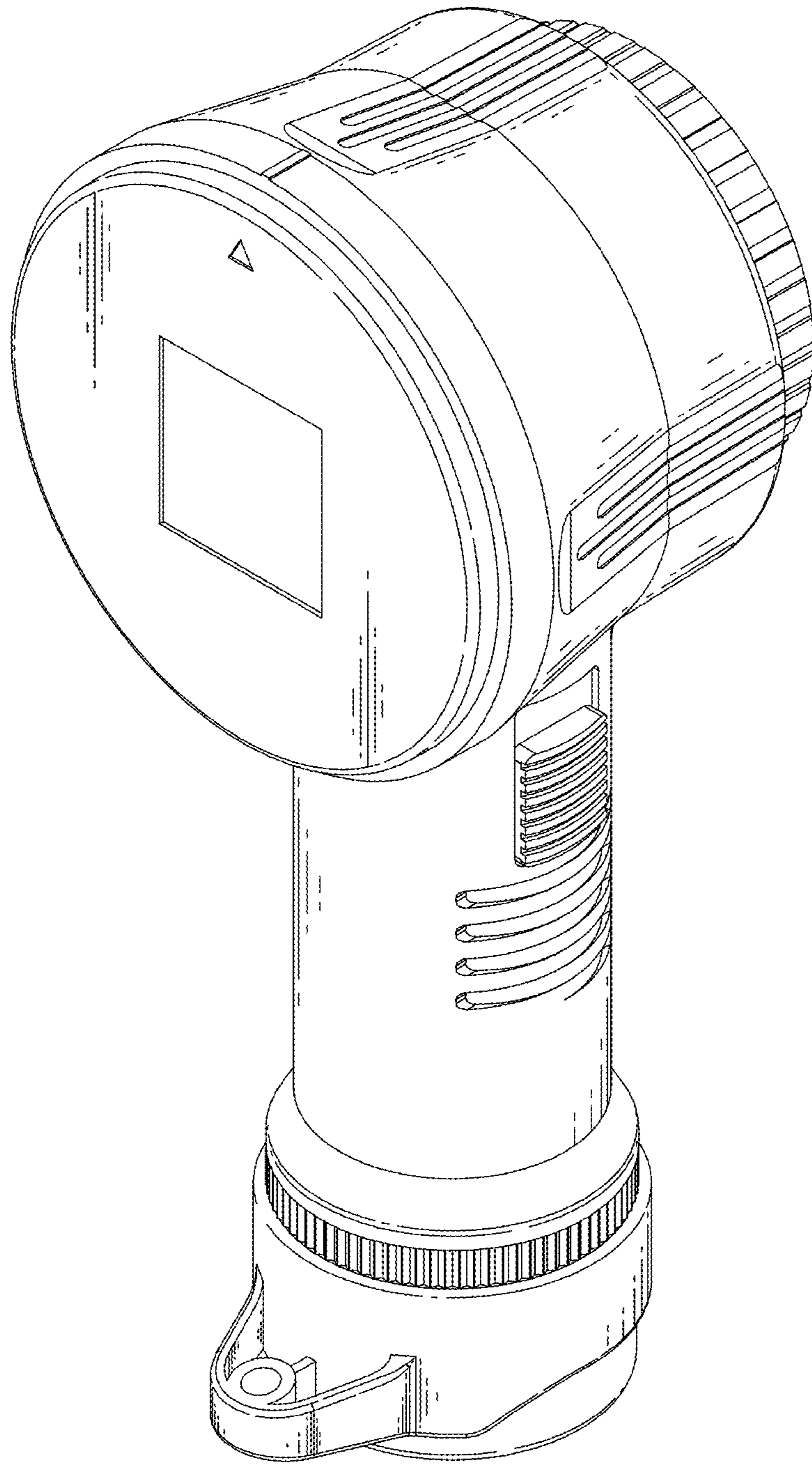


FIG. 1

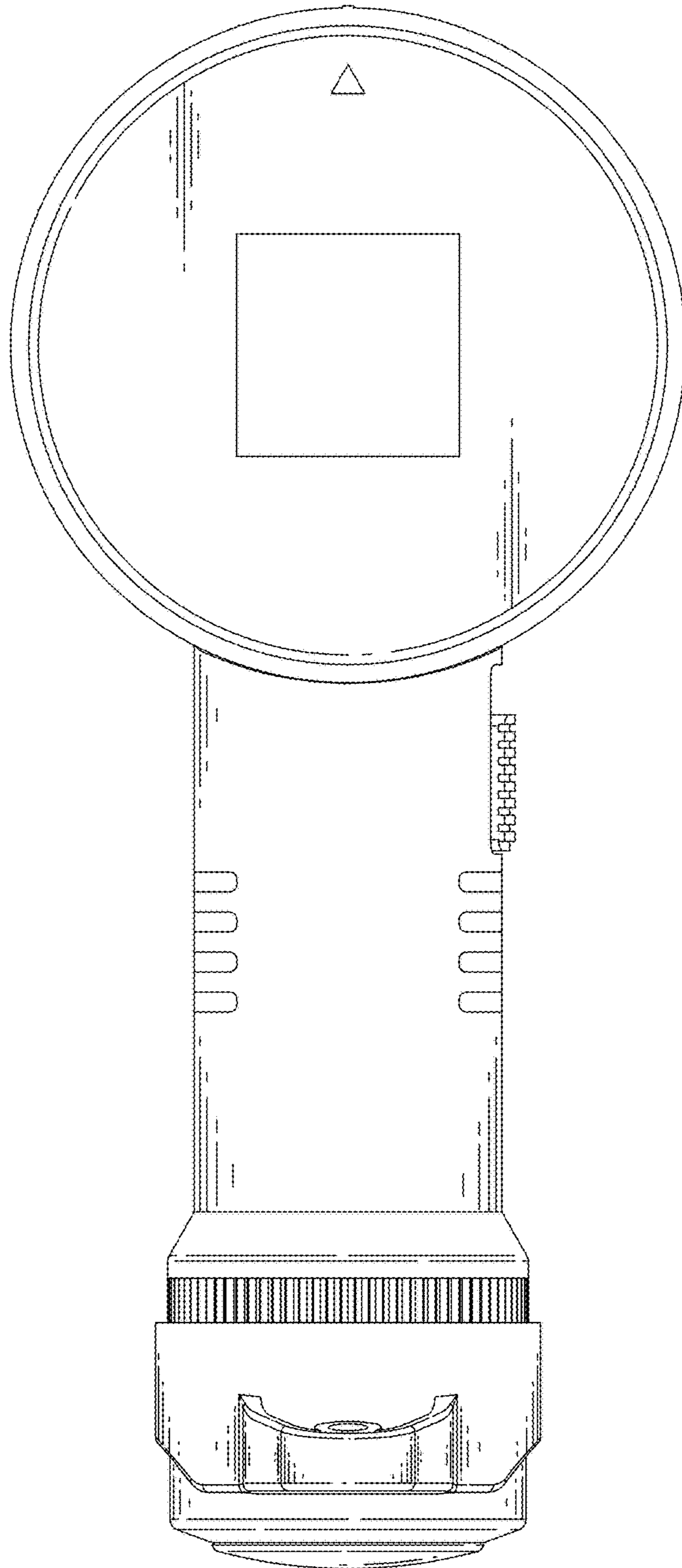


FIG. 2

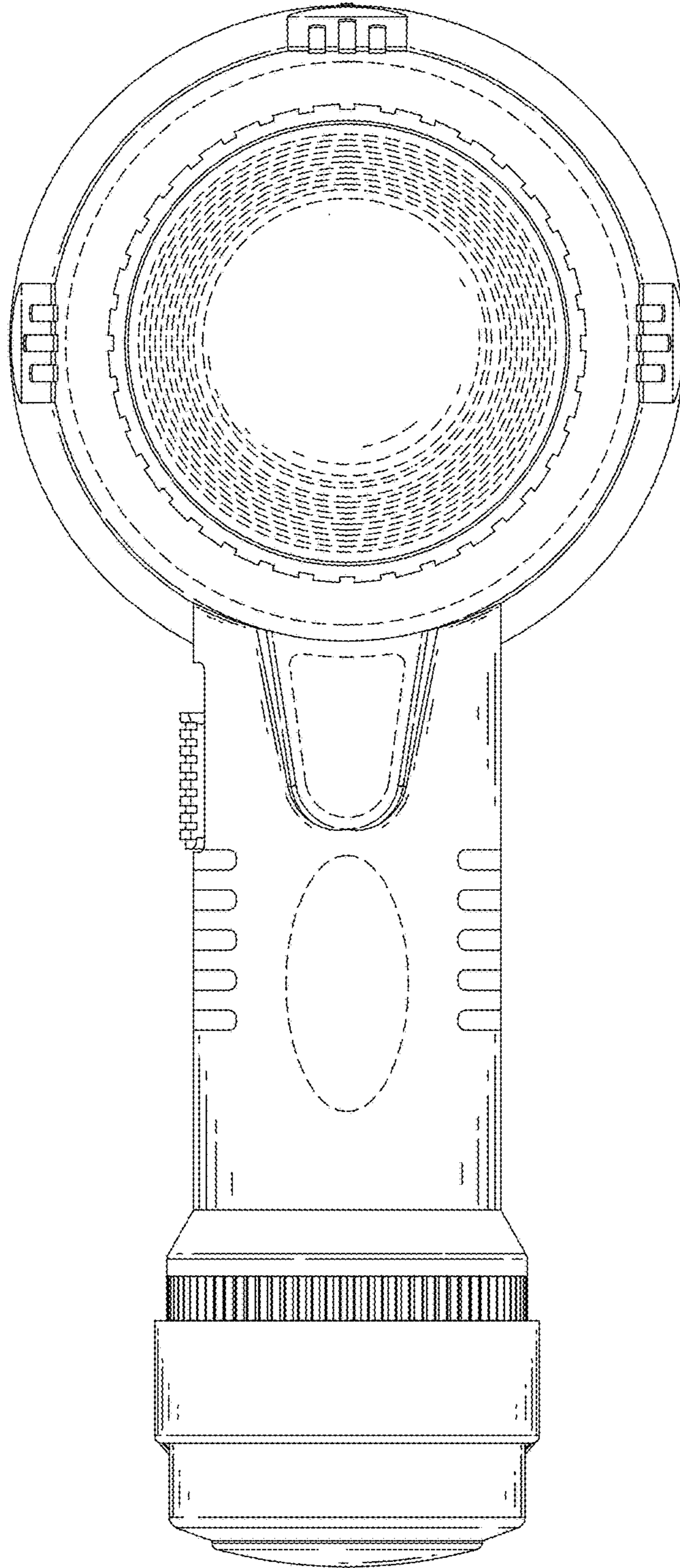


FIG. 3

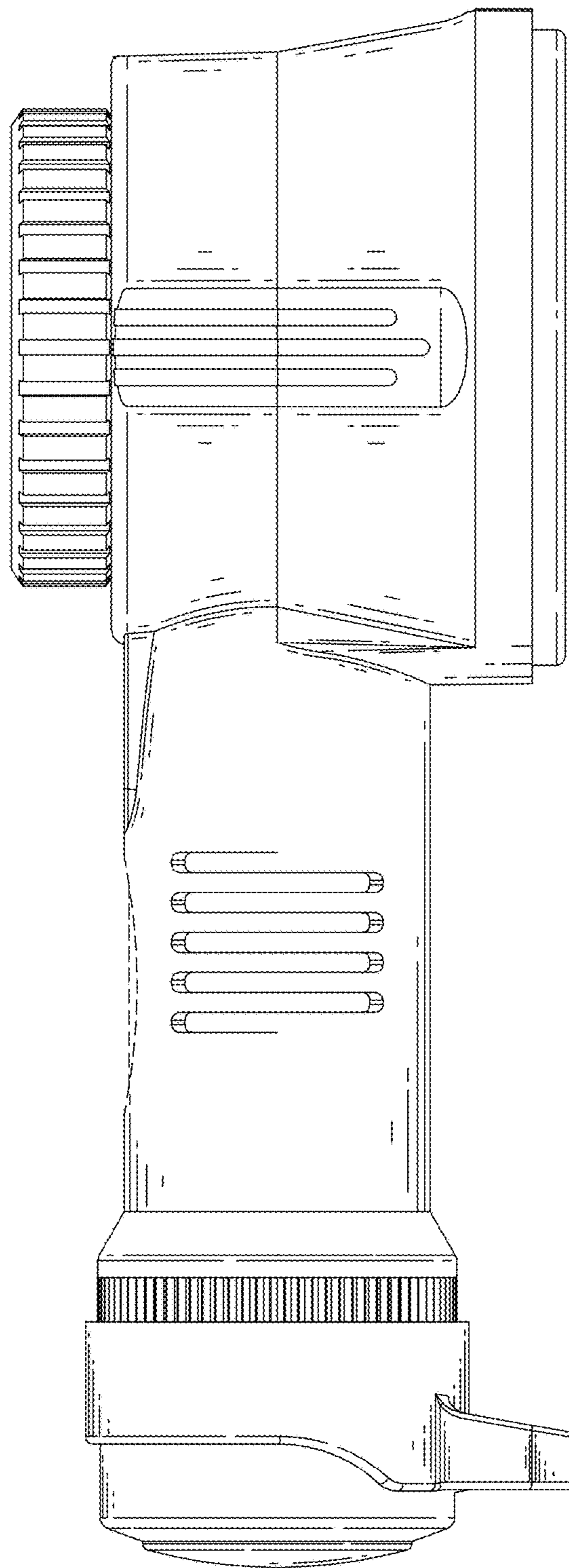


FIG. 4

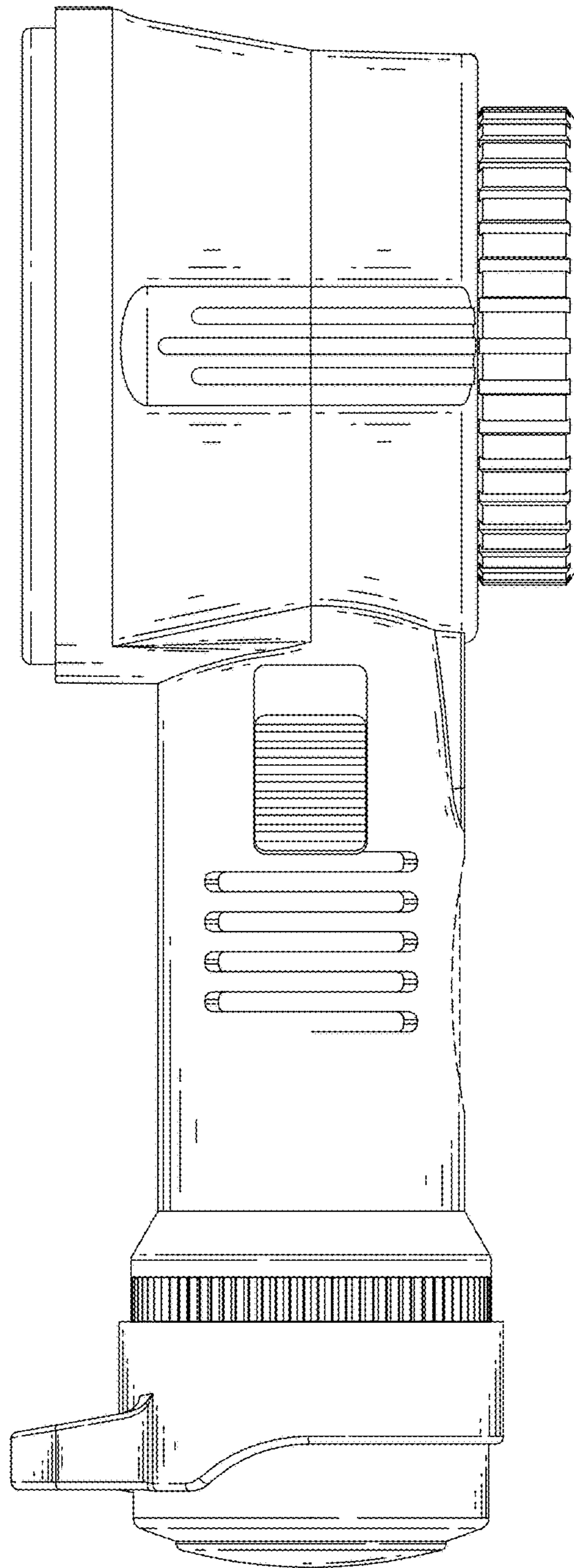


FIG. 5

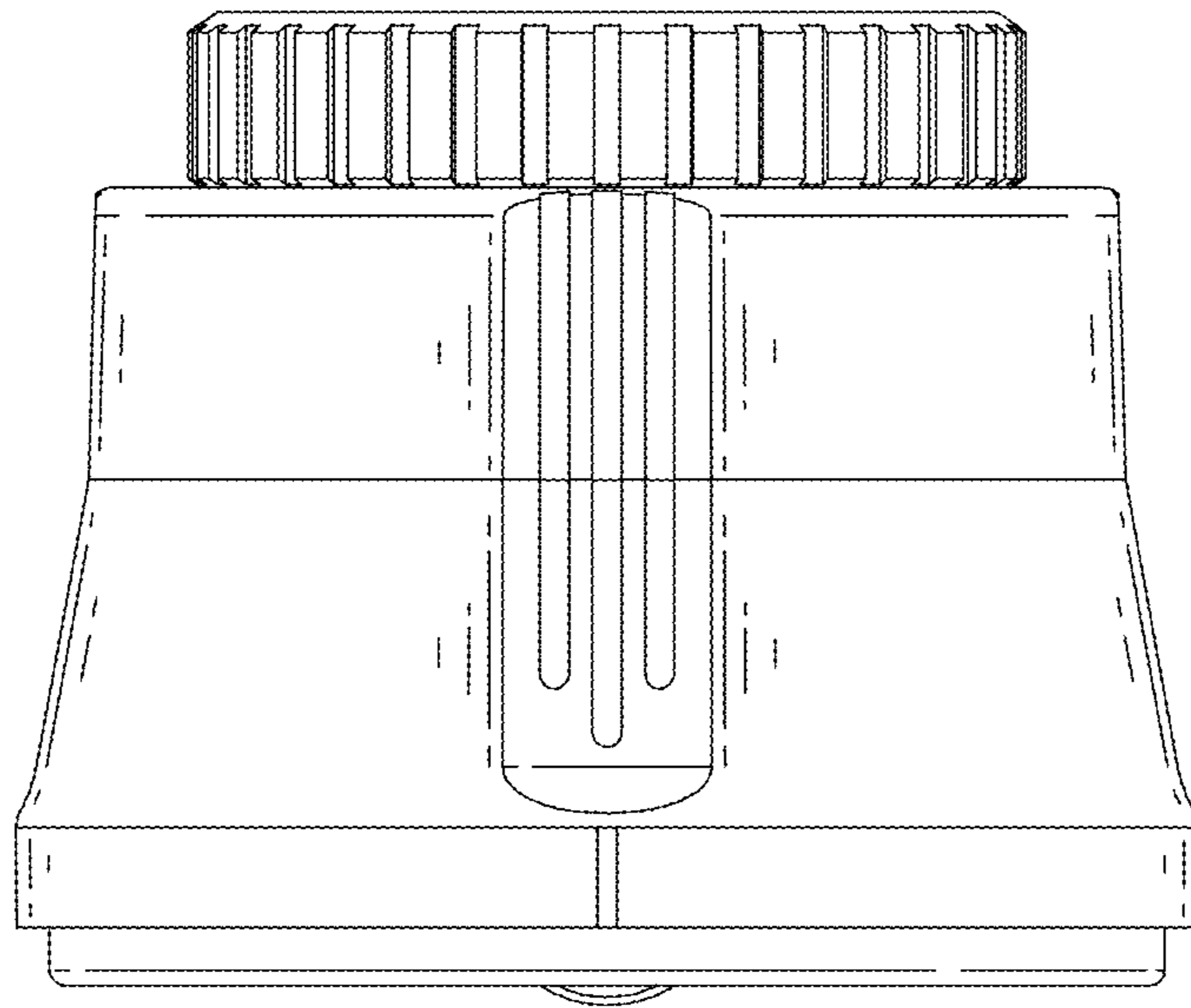


FIG. 6

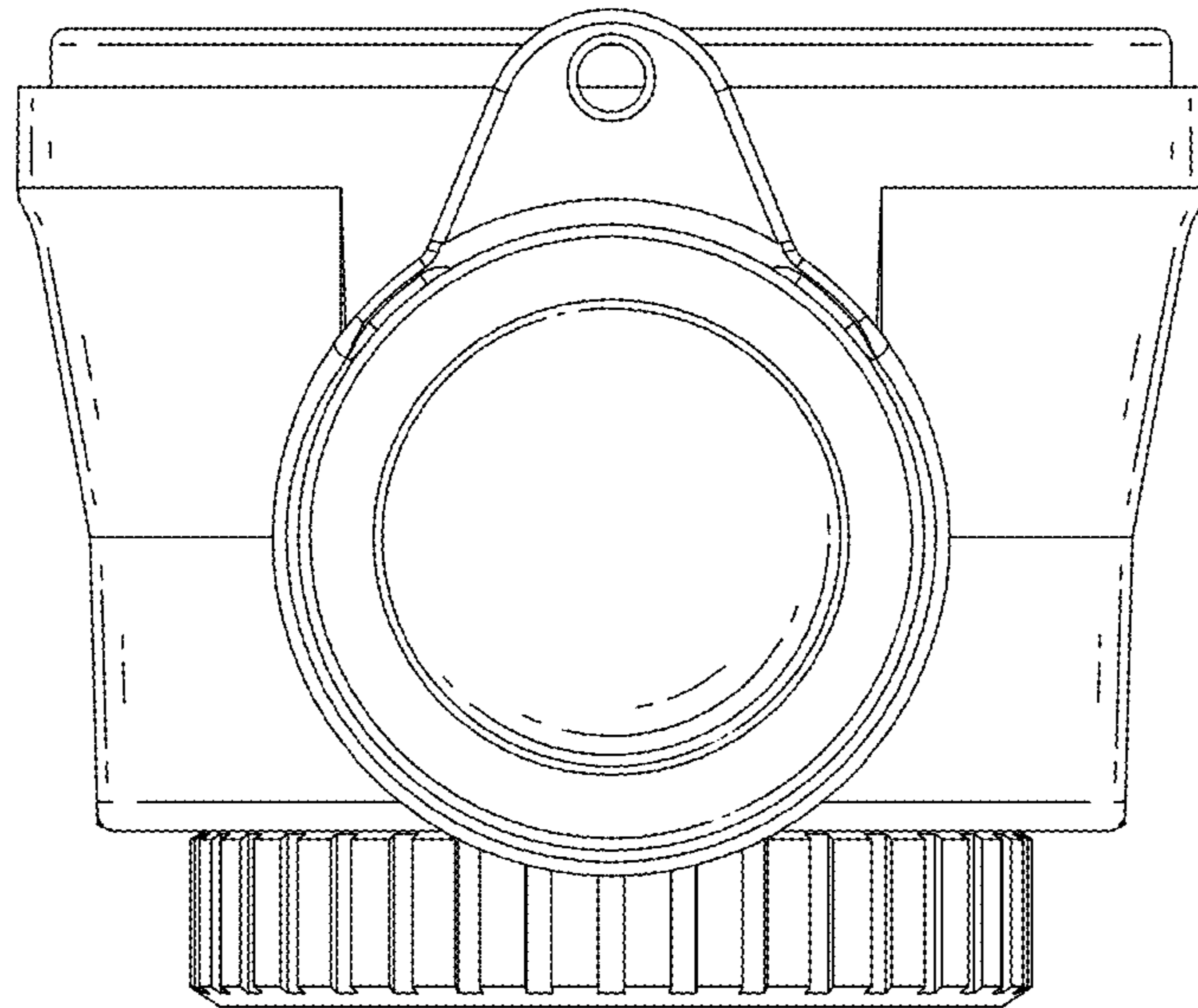


FIG. 7