



US00D785062S

(12) **United States Design Patent**
Gong

(10) **Patent No.:** **US D785,062 S**

(45) **Date of Patent:** **** Apr. 25, 2017**

(54) **LINEAR ACTUATOR**

(71) Applicant: **QINGDAO RICHRIVER ELECTRICS CO., LTD.**, Qingdao (CN)

(72) Inventor: **Zhiqiang Gong**, Qingdao (CN)

(73) Assignee: **QINGDAO RICHRIVER ELECTRICS CO., LTD.**, Shandong Province (CN)

(**) Term: **15 Years**

(21) Appl. No.: **29/535,487**

(22) Filed: **Aug. 6, 2015**

(30) **Foreign Application Priority Data**

Jul. 21, 2015 (CN) 2015 3 0264144

(51) **LOC (10) Cl.** **15-09**

(52) **U.S. Cl.**
USPC **D15/148**

(58) **Field of Classification Search**
USPC D13/118, 158, 162, 184; D15/1-5, 7, 9, D15/143, 148, 149, 199
CPC F16H 25/20; F16H 25/2021; F16H 2025/2065; F16H 2025/2081; F16H 2025/2087; Y10T 74/18752; Y10T 74/18056; Y10T 74/18576; Y10T 74/18688; Y10T 74/18696
See application file for complete search history.

(56) **References Cited**

U.S. PATENT DOCUMENTS

D458,284 S * 6/2002 Landerholm D15/143
6,670,734 B2 * 12/2003 Morishima F16H 25/2015
310/80

D514,146 S * 1/2006 Haneball D15/143
D577,753 S * 9/2008 Lund D15/143
D589,991 S * 4/2009 Chen D15/143
D596,652 S * 7/2009 Roither D15/143
D632,321 S * 2/2011 Wu D15/143
D646,310 S * 10/2011 Lan D15/143
8,040,082 B2 * 10/2011 Bastholm F16H 25/2015
318/135
D654,524 S * 2/2012 Iversen D15/199
D656,975 S * 4/2012 Tseng D15/143
8,806,972 B2 * 8/2014 Wang F16H 25/20
403/60
9,341,248 B2 * 5/2016 Wu F16H 25/20
D765,748 S * 9/2016 Bogelund D15/143
2005/0264109 A1 * 12/2005 Abrahamsen F16H 25/20
310/20

* cited by examiner

Primary Examiner — Patricia Palasik

(74) *Attorney, Agent, or Firm* — J.C. Patents

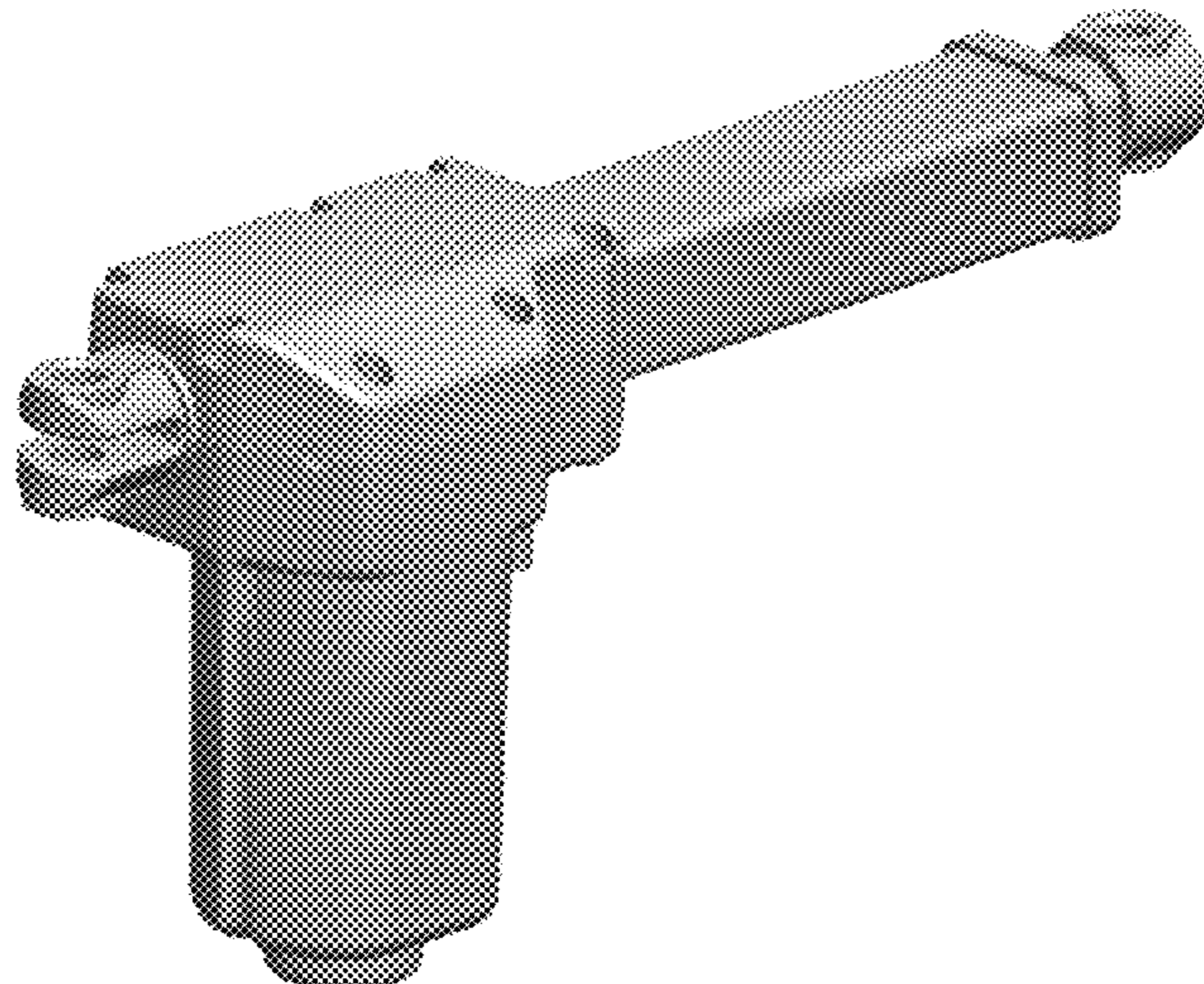
(57) **CLAIM**

The ornamental design for a linear actuator, as shown and described.

DESCRIPTION

FIG. 1 is a perspective view of a linear actuator showing our new design;
FIG. 2 is a front elevational view thereof
FIG. 3 is a rear elevational view thereof;
FIG. 4 is a right side elevational view thereof;
FIG. 5 is a left side elevational view thereof;
FIG. 6 is a top view thereof; and,
FIG. 7 is a bottom view thereof.

1 Claim, 4 Drawing Sheets



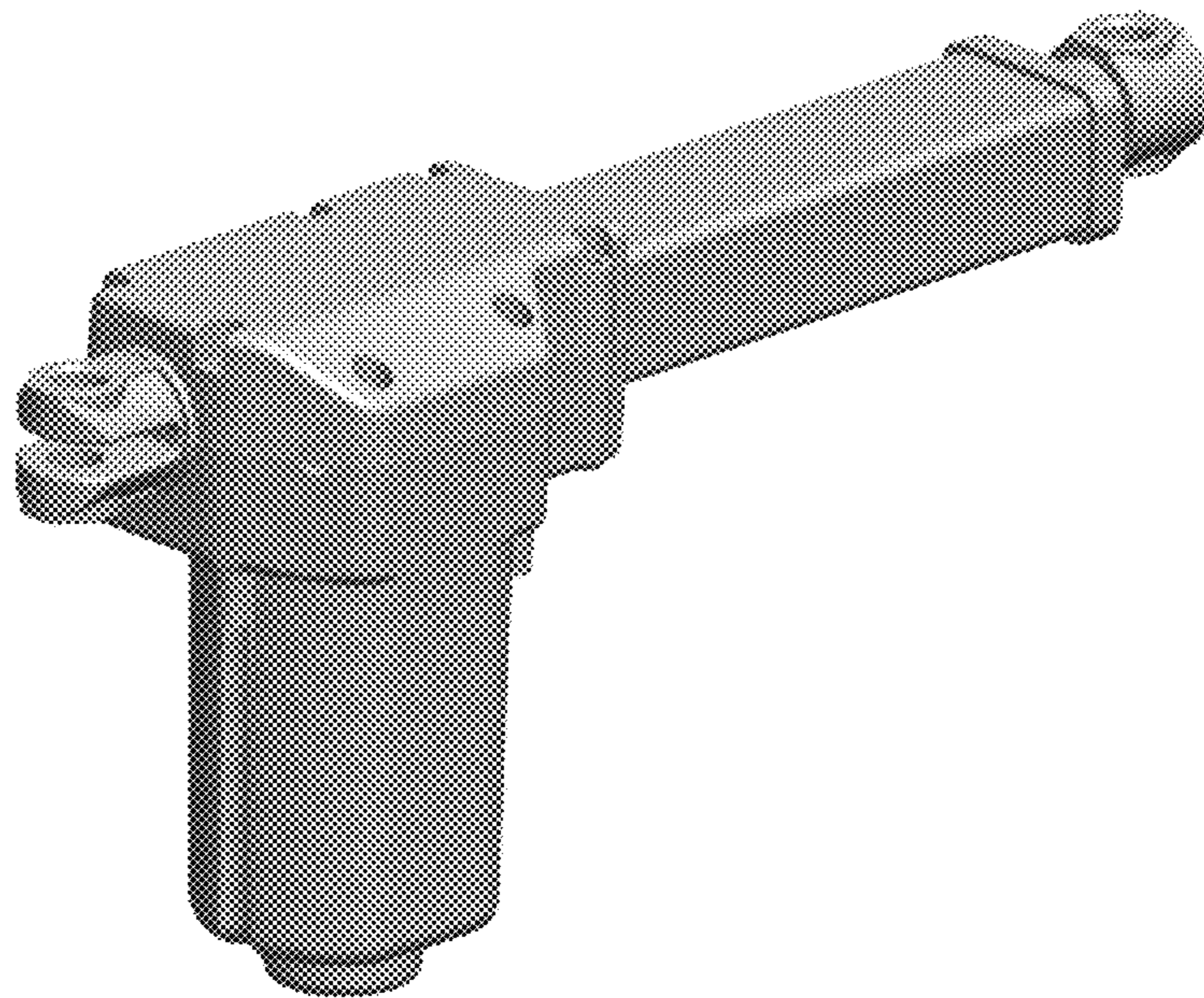


FIG. 1

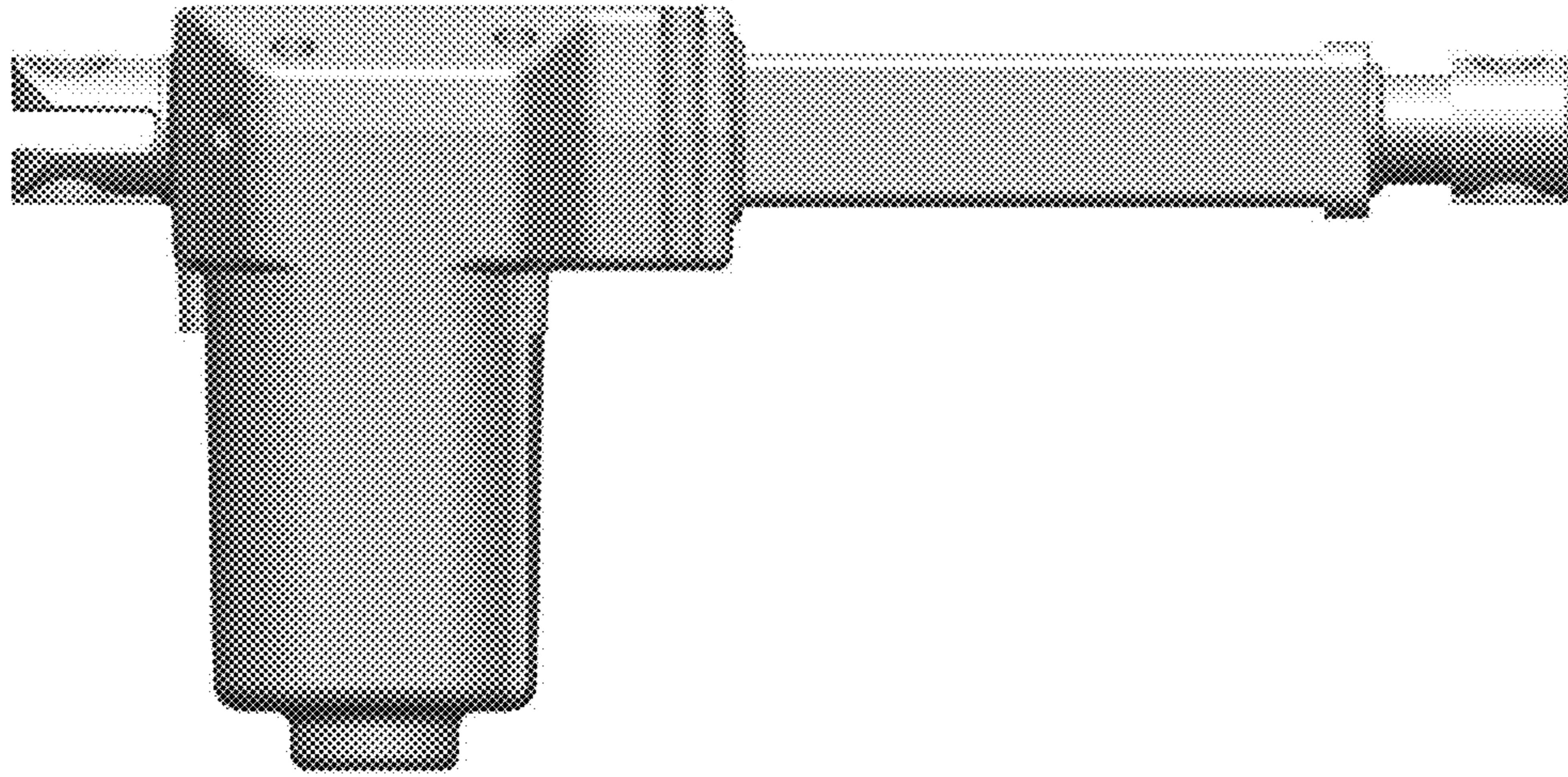


FIG. 2

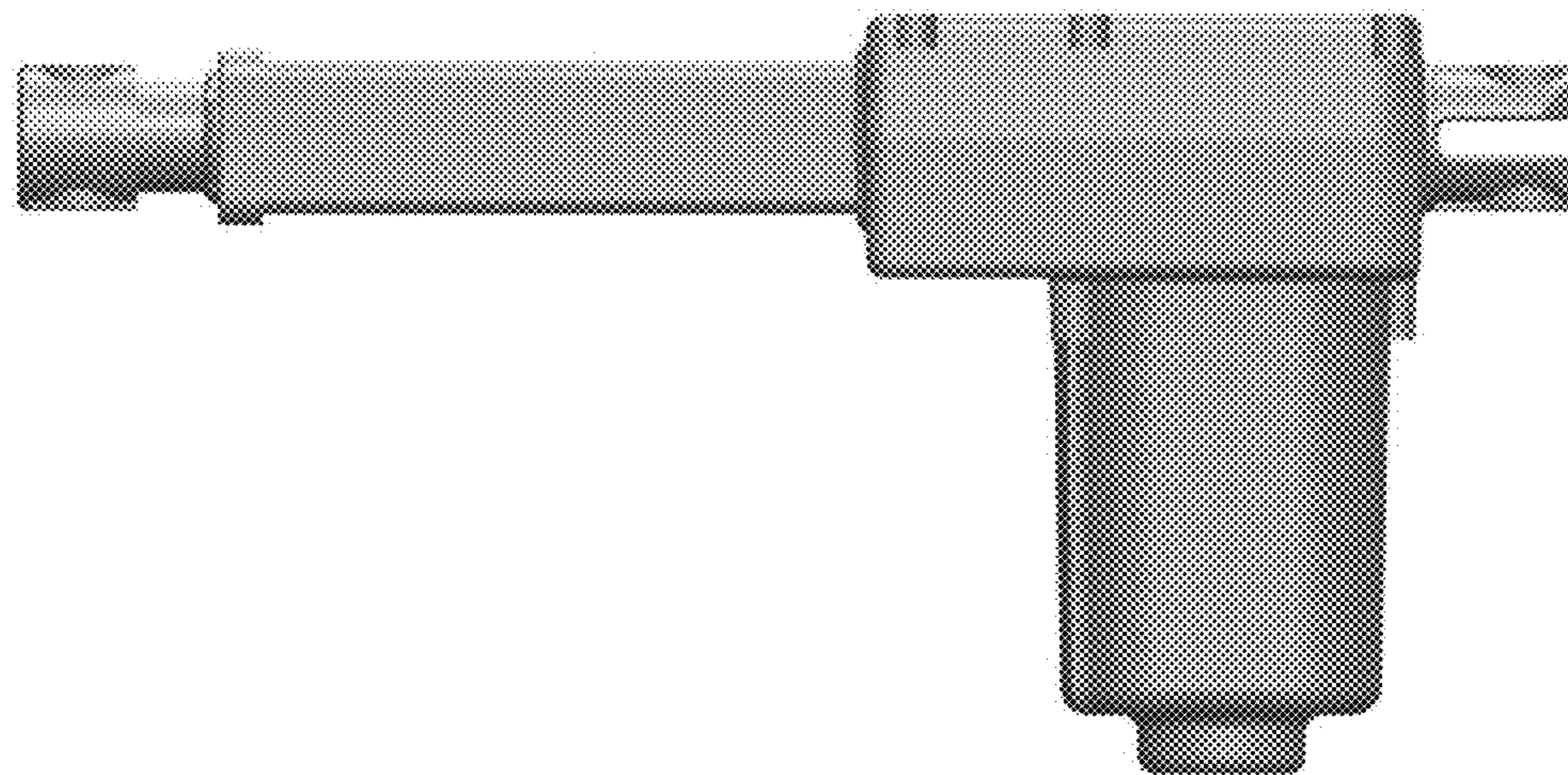


FIG. 3

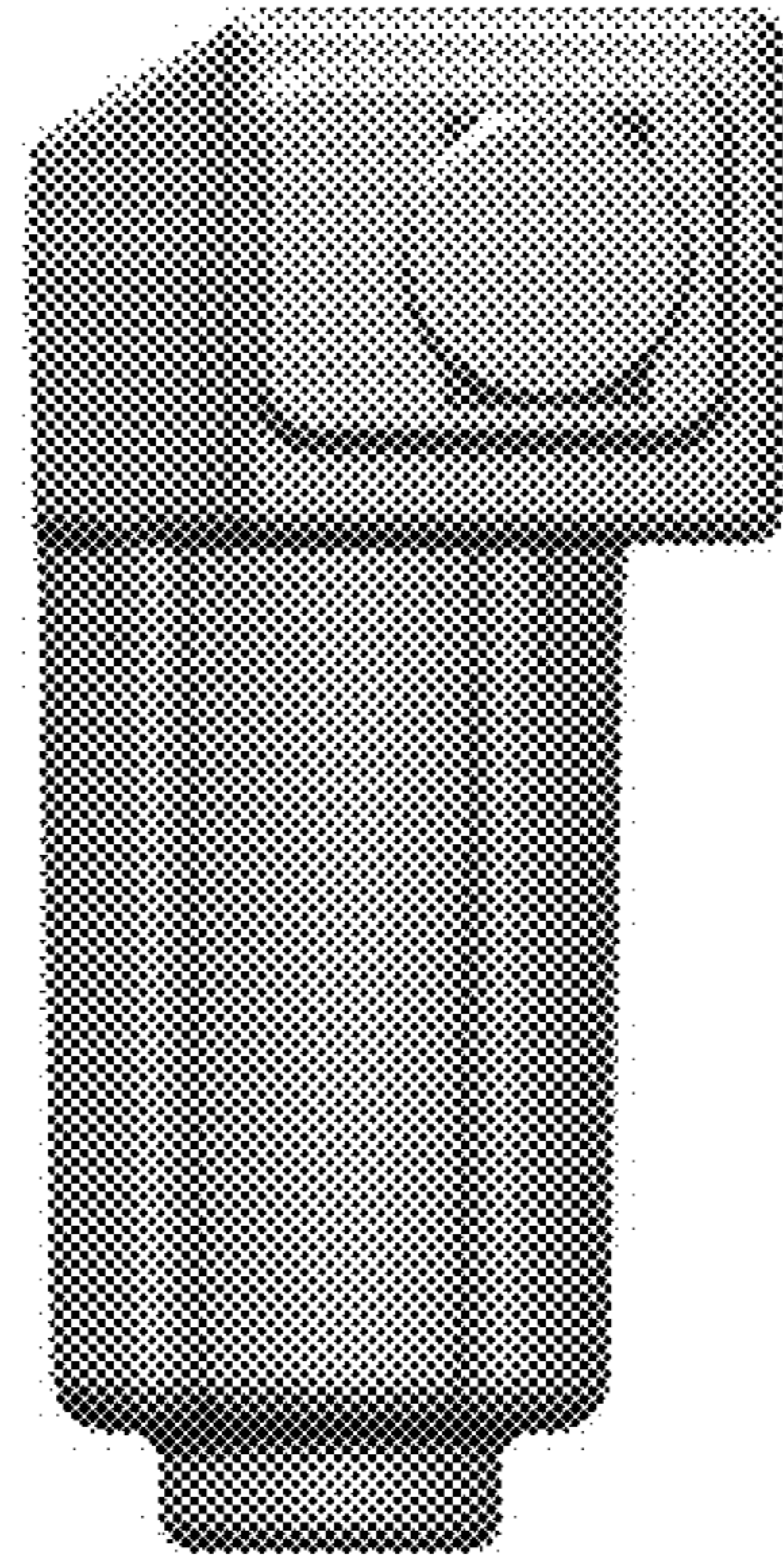


FIG. 4

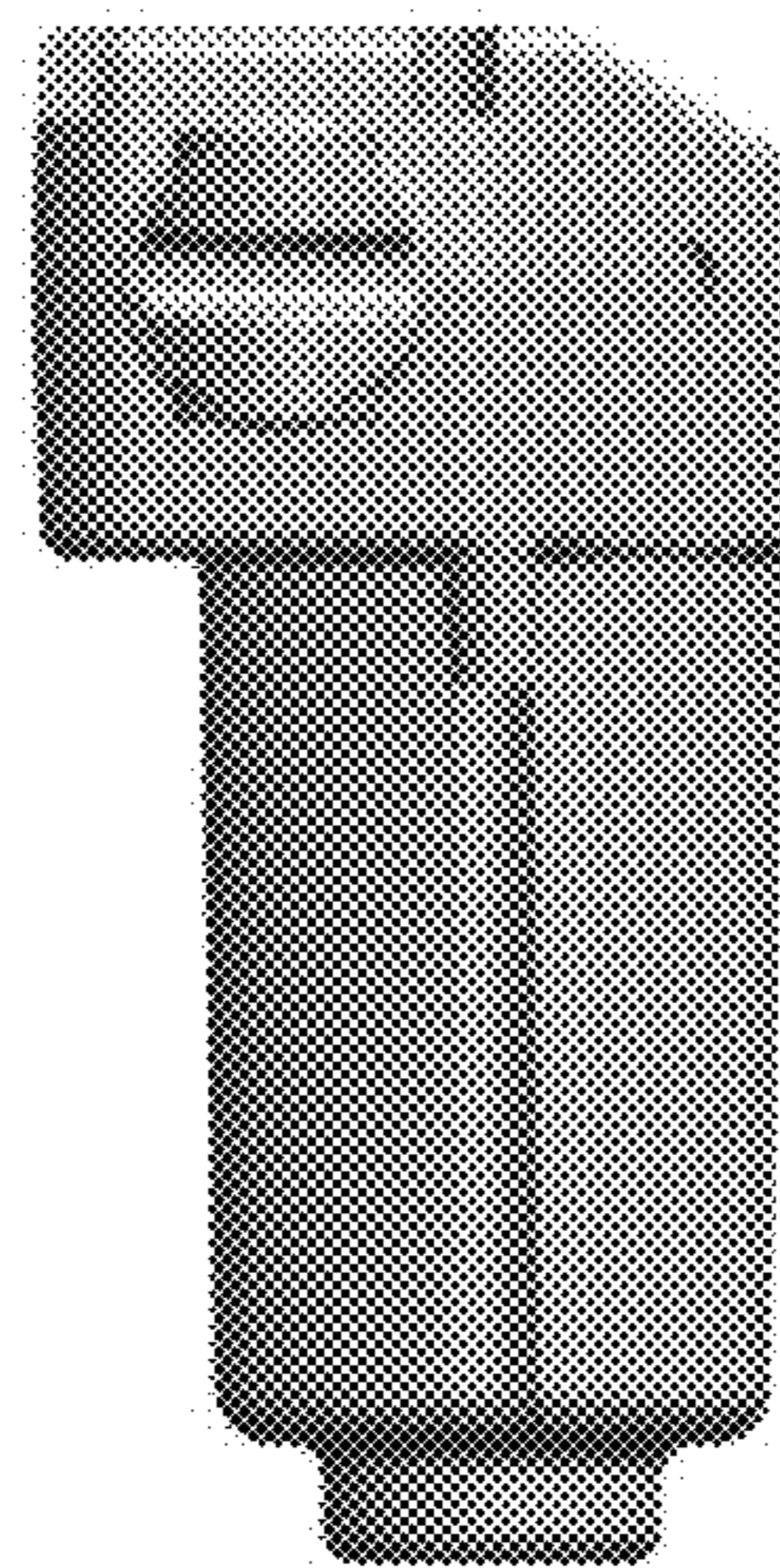


FIG. 5

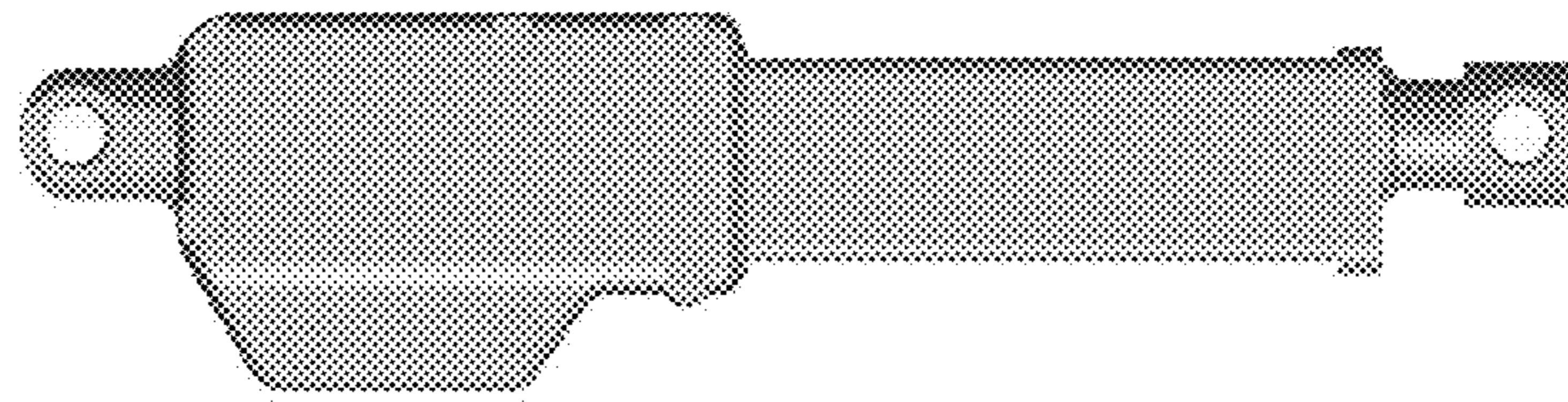


FIG. 6

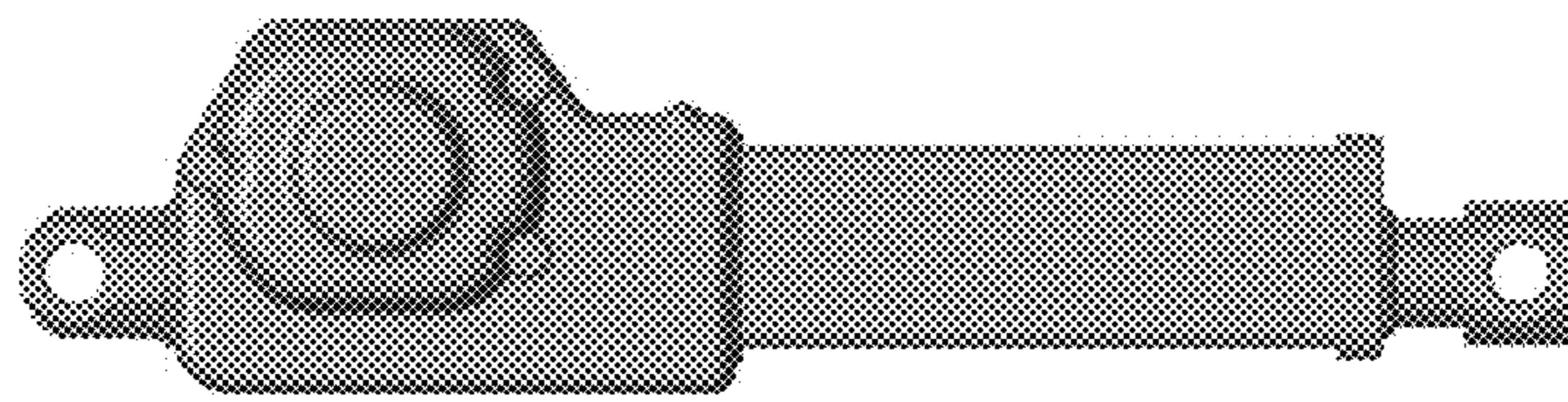


FIG. 7