

US00D785060S

(12) **United States Design Patent** (10) **Patent No.:** **US D785,060 S**  
**Sapp** (45) **Date of Patent:** **\*\* Apr. 25, 2017**

(54) **POTTERY HOLDER**

(71) Applicant: **Willie Leon Sapp**, Lincoln, NE (US)

(72) Inventor: **Willie Leon Sapp**, Lincoln, NE (US)

(\*\*) Term: **14 Years**

(21) Appl. No.: **29/474,172**

(22) Filed: **Jun. 25, 2014**

4,312,292	A *	1/1982	Smith et al.	118/320
4,643,128	A *	2/1987	Bracher et al.	118/503
5,180,174	A *	1/1993	Province	279/6
D372,496	S *	8/1996	York	D19/109
5,556,085	A *	9/1996	Cyr	269/75
6,892,994	B1 *	5/2005	Renshaw	248/346.04
7,641,464	B2 *	1/2010	Griffin et al.	425/267
8,864,487	B2 *	10/2014	Bailey	425/266
2005/0025850	A1 *	2/2005	D'Estais	425/263
2008/0020084	A1 *	1/2008	Piepenburg	425/459
2008/0089973	A1 *	4/2008	Pearl	425/459
2008/0258336	A1 *	10/2008	Lester	264/219

\* cited by examiner

**Related U.S. Application Data**

(63) Continuation of application No. 11/825,772, filed on Jul. 9, 2007, now abandoned.

(51) **LOC (10) Cl.** ..... **15-09**

(52) **U.S. Cl.**  
USPC ..... **D15/140**; D19/109

(58) **Field of Classification Search**  
USPC ..... D6/708.21; D15/130, 140; D19/109  
See application file for complete search history.

*Primary Examiner* — Patricia Palasik

(74) *Attorney, Agent, or Firm* — Turan P. Odabasi

(57) **CLAIM**

I claim the ornamental design for a pottery holder, as shown and described.

**DESCRIPTION**

FIG. 1 is a perspective view of a pottery holder.  
 FIG. 2 is a front view thereof.  
 FIG. 3 is a rear view thereof.  
 FIG. 4 is a right side view thereof.  
 FIG. 5 is a left side view thereof.  
 FIG. 6 is a top view thereof.  
 FIG. 7 is a bottom view thereof; and,  
 FIG. 8 is a front view thereof, show in an environment of use.

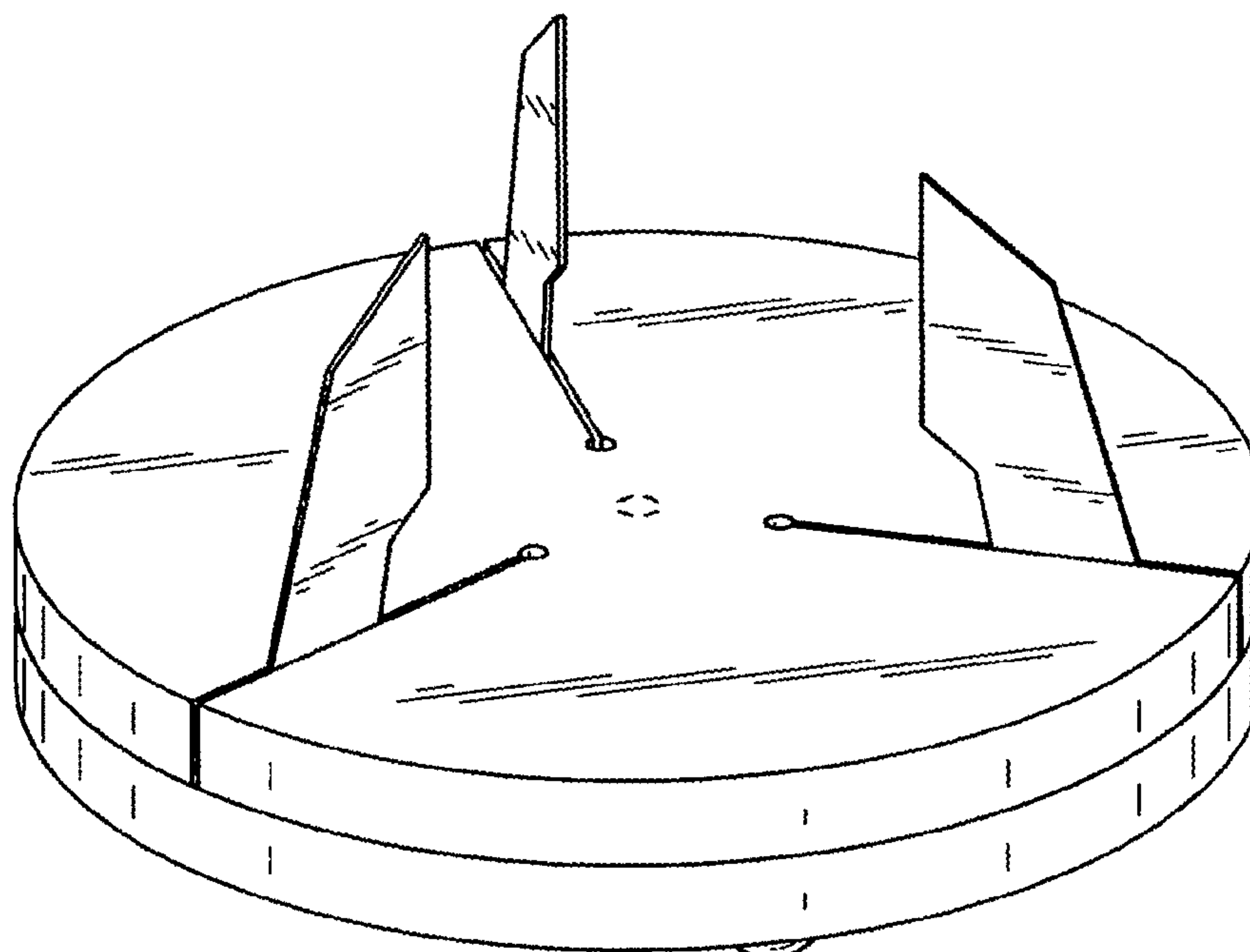
The broken lines in the drawings depict unclaimed environmental subject matter.

**1 Claim, 8 Drawing Sheets**

(56) **References Cited**

**U.S. PATENT DOCUMENTS**

D134,330	S *	11/1942	Brown	D15/122
D228,091	S *	8/1973	Soldner	D15/130
D233,696	S *	11/1974	Piepenburg	D15/130
D243,276	S *	2/1977	Soldner	D15/130
4,028,041	A *	6/1977	Zambrano, Jr.	425/459
D245,009	S *	7/1977	Ebstein	D15/130
D251,378	S *	3/1979	Doyel	D19/109
D253,828	S *	1/1980	Soldner	D15/130
4,222,577	A *	9/1980	Giffin	279/114



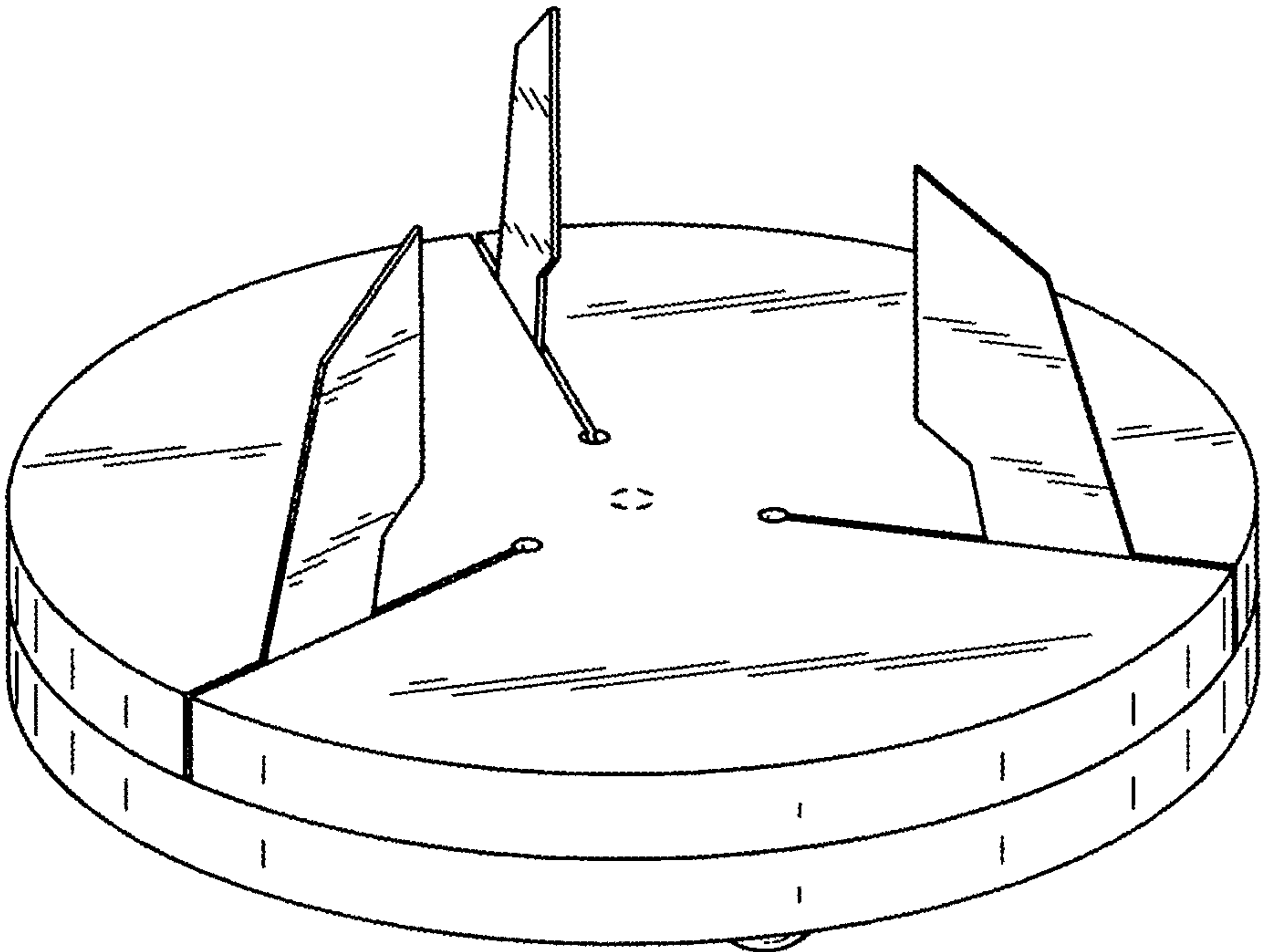


FIG. 1

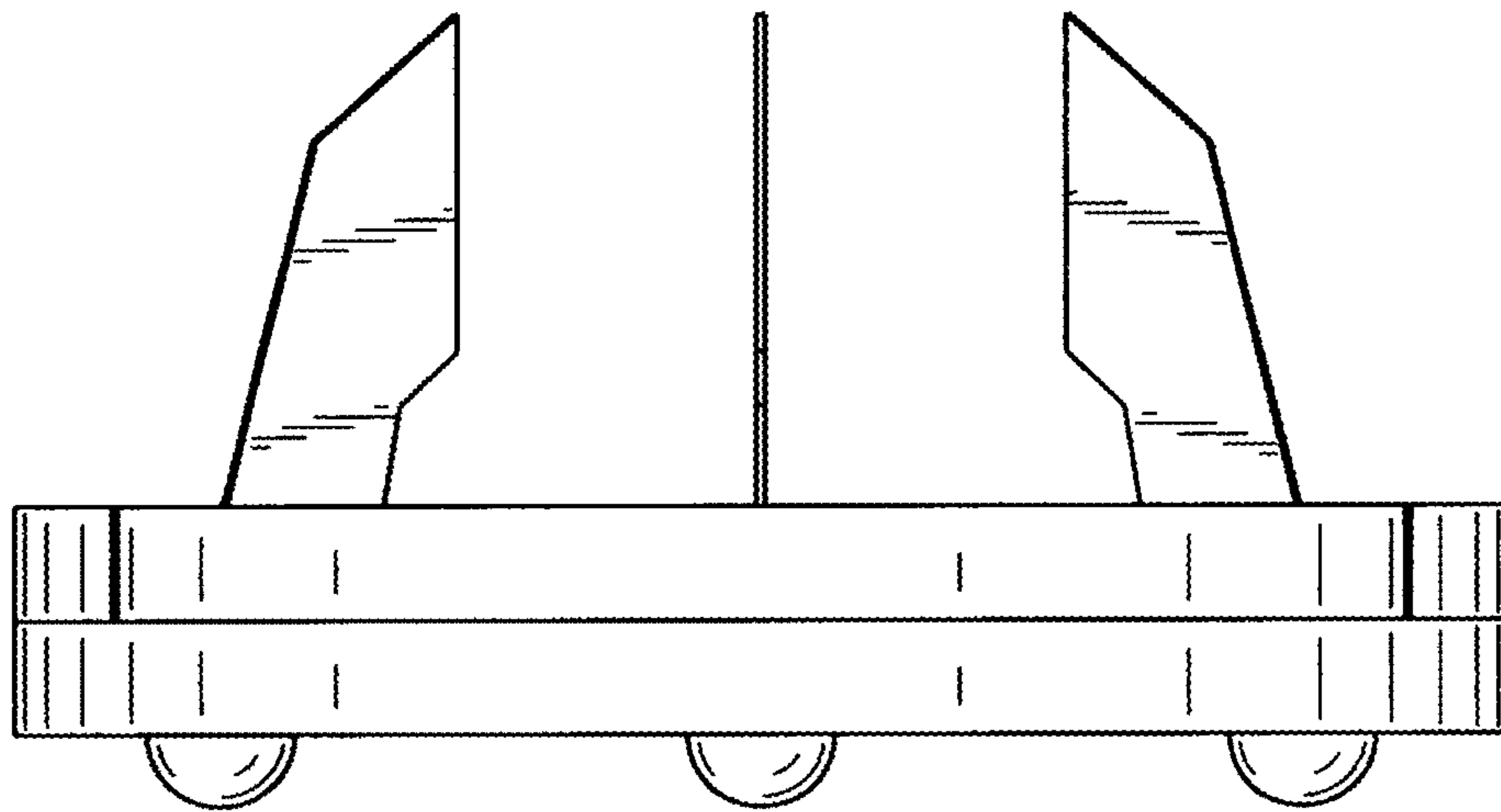


FIG. 2

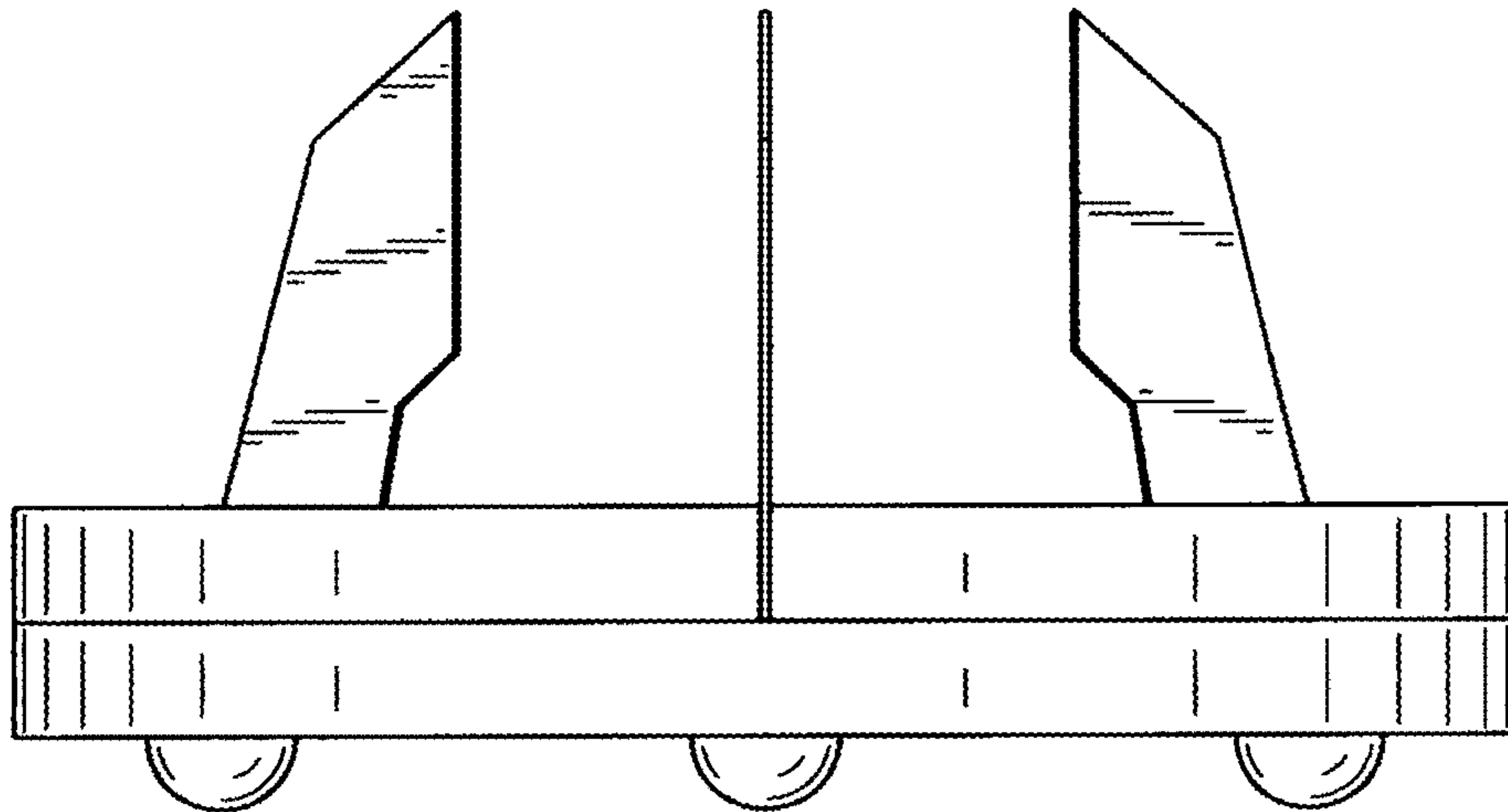


FIG. 3

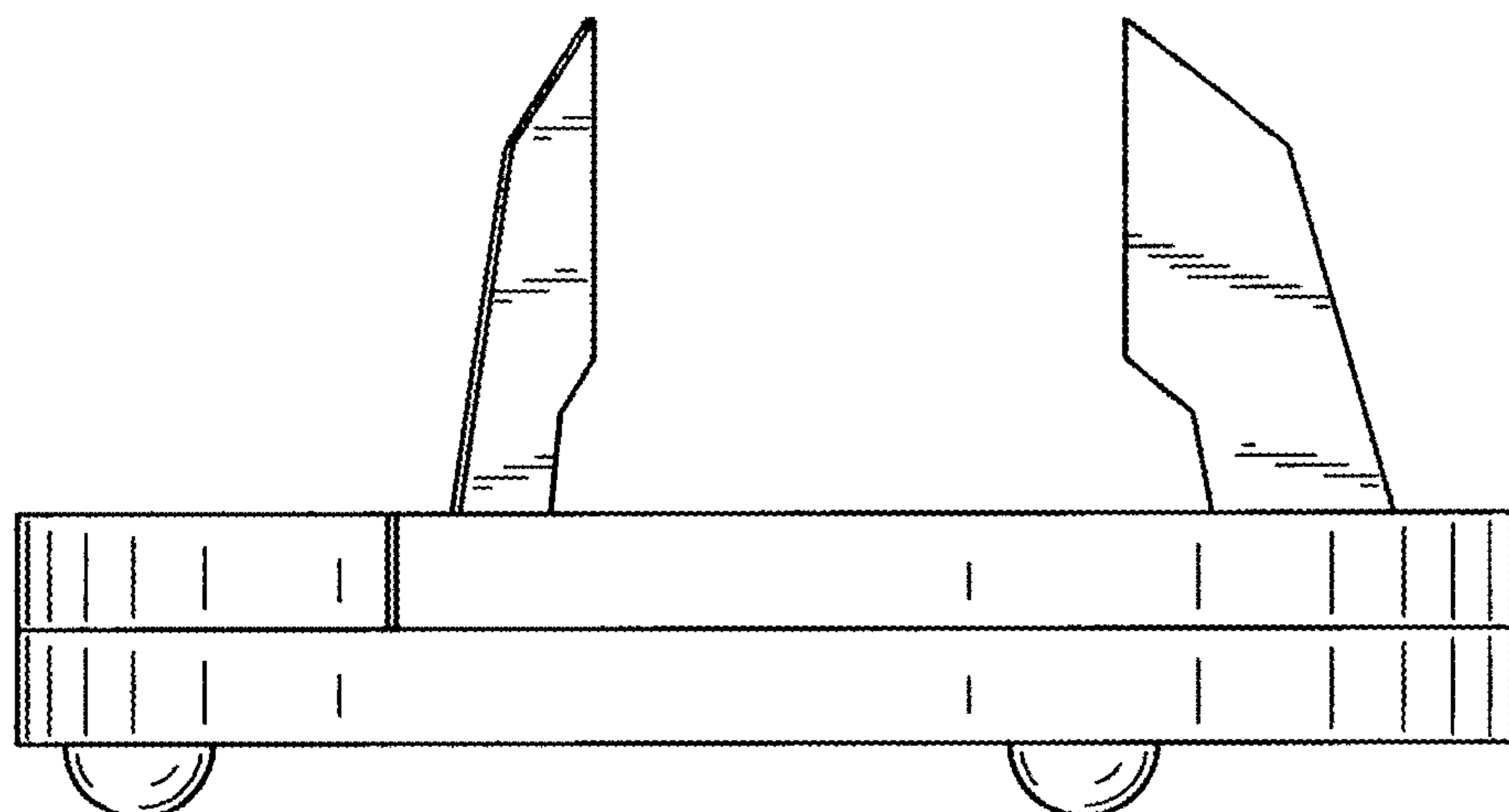


FIG. 4

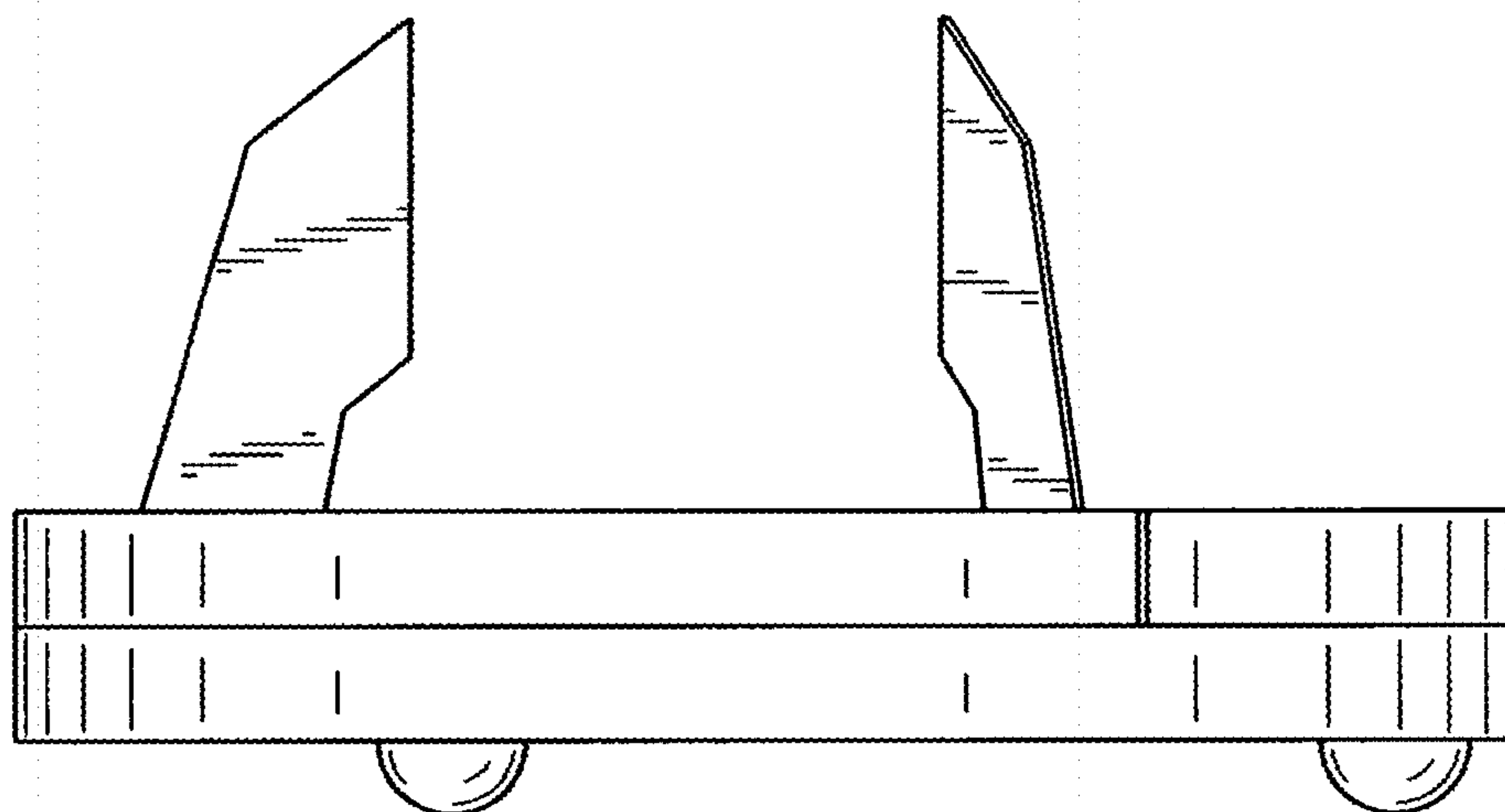


FIG. 5

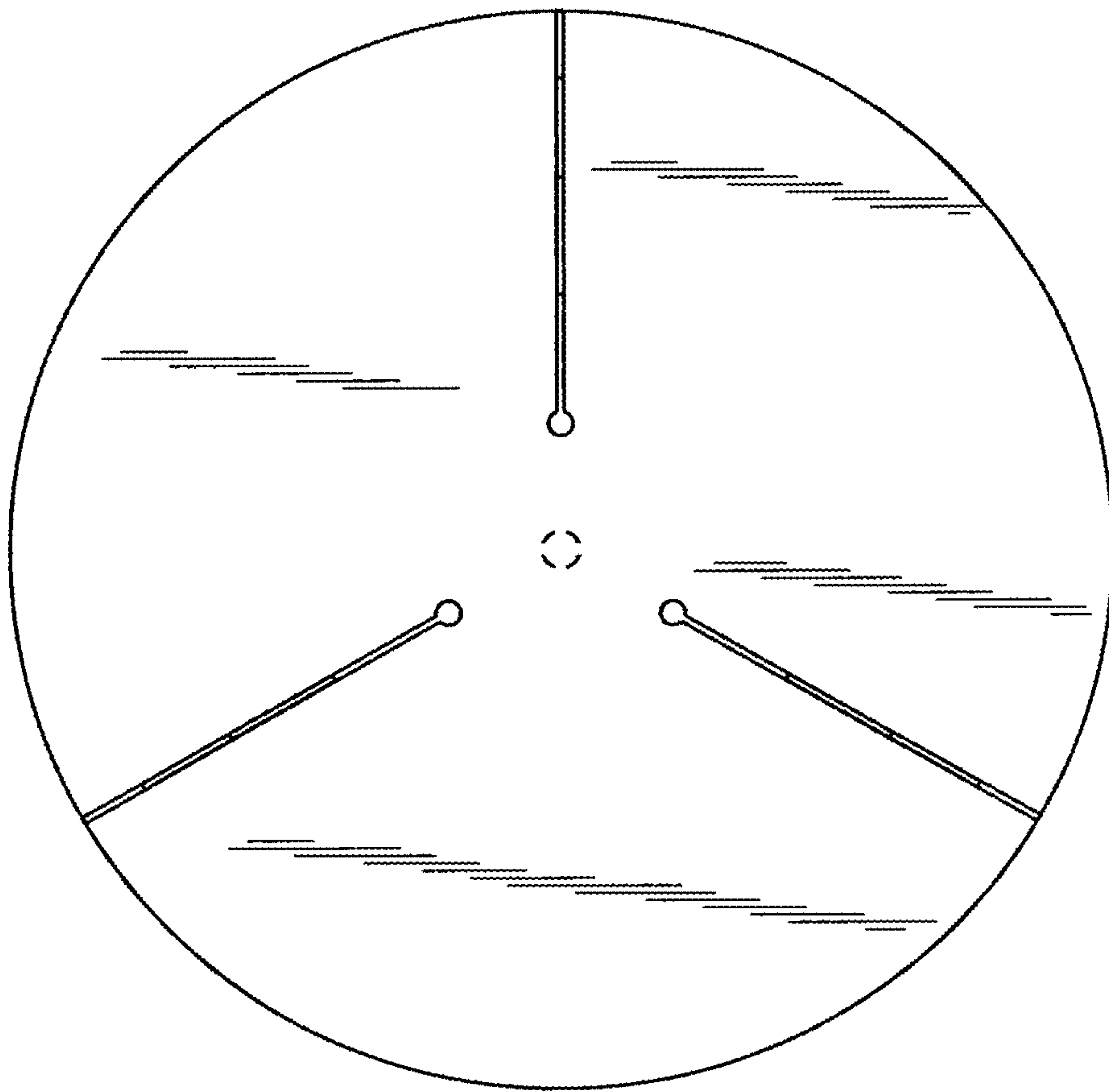


FIG. 6

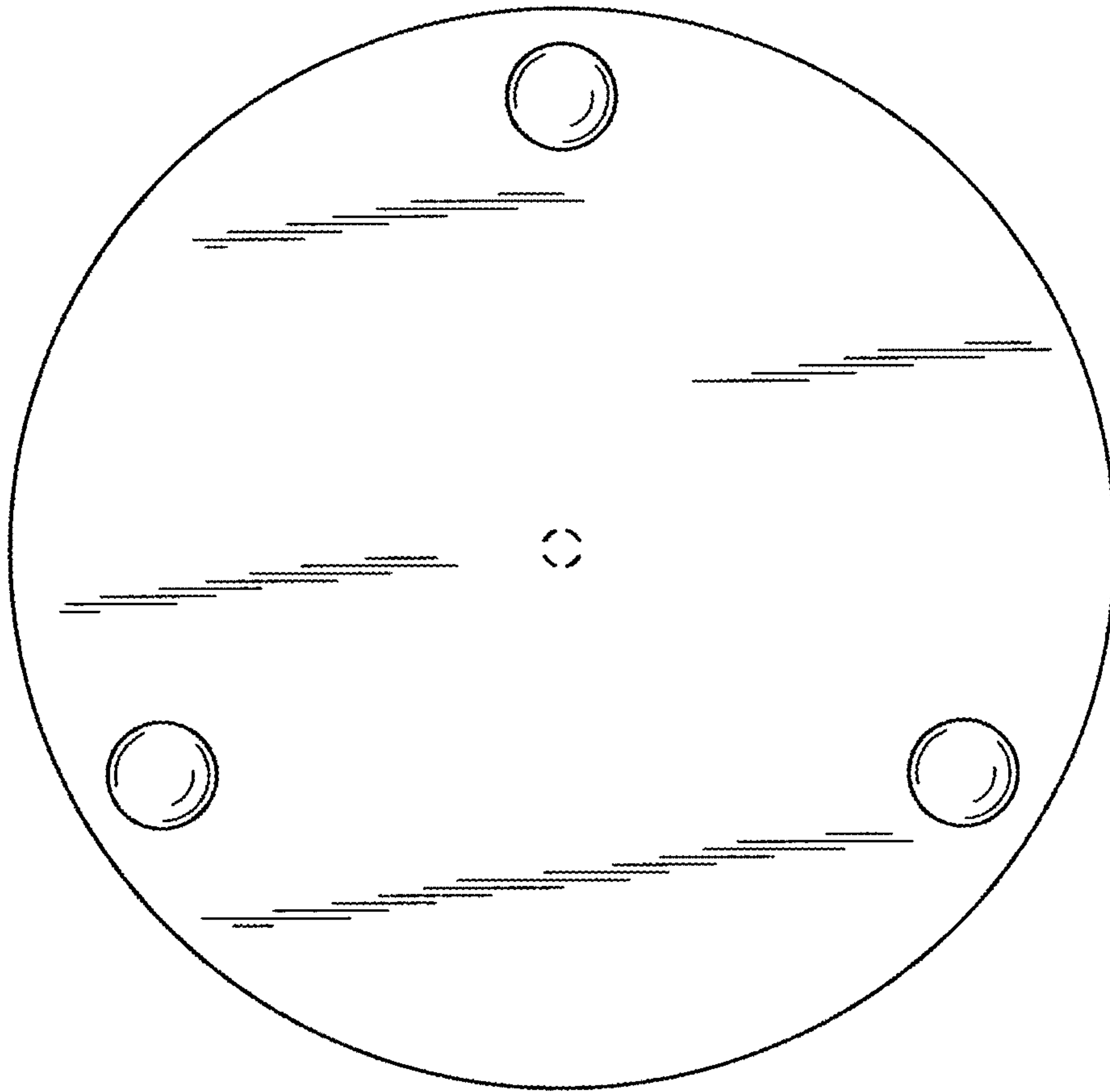


FIG. 7



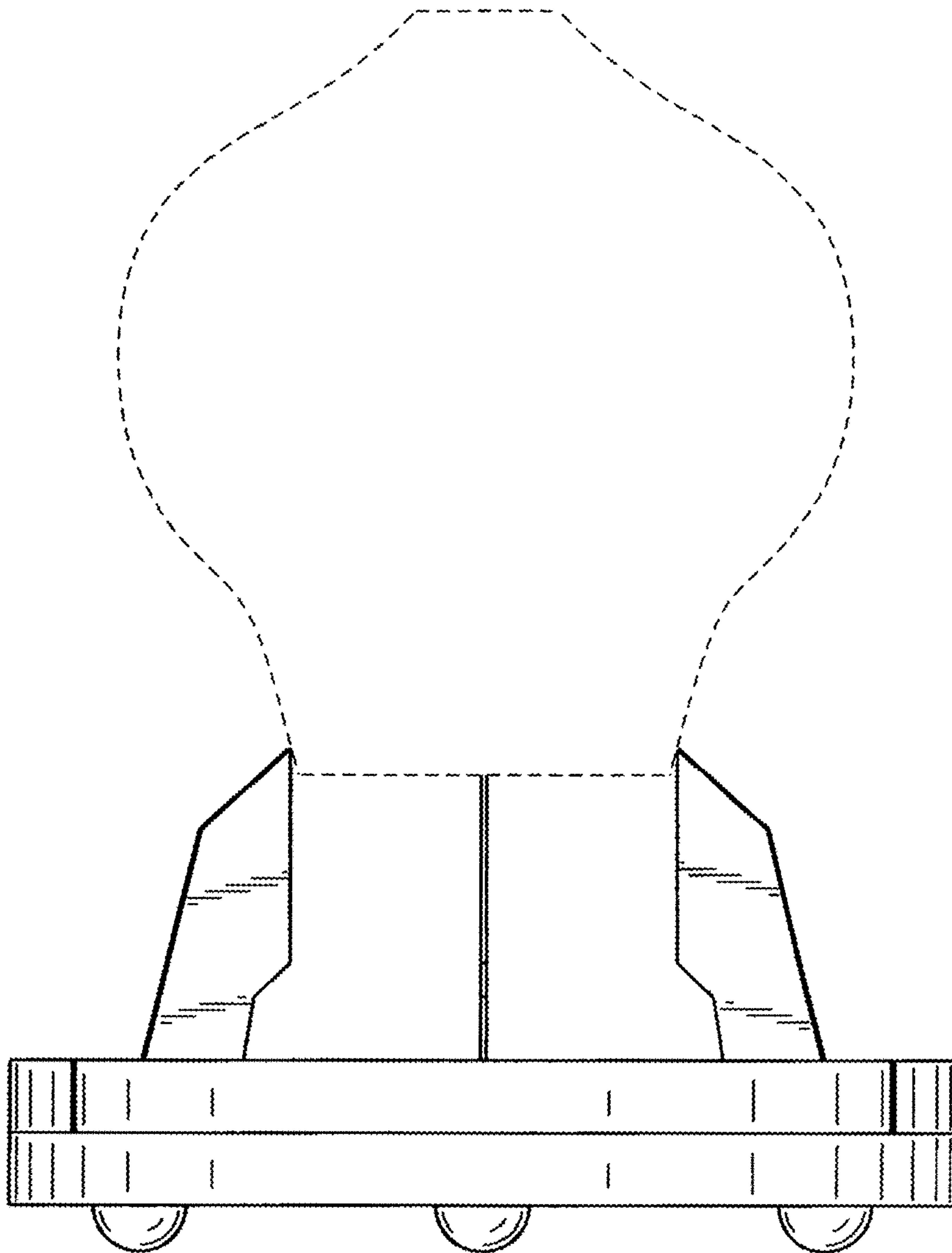


FIG. 8