



US00D785059S

(12) **United States Design Patent** (10) **Patent No.:** **US D785,059 S**  
**Sapp** (45) **Date of Patent:** **\*\* Apr. 25, 2017**

(54) **POTTERY HOLDER** 4,643,128 A \* 2/1987 Bracher et al. .... 118/503  
5,180,174 A \* 1/1993 Province ..... 279/6  
(71) Applicant: **Willie Leon Sapp**, Lincoln, NE (US) D372,496 S \* 8/1996 York ..... D19/109  
5,556,085 A \* 9/1996 Cyr ..... 269/75  
(72) Inventor: **Willie Leon Sapp**, Lincoln, NE (US) 6,892,994 B1 \* 5/2005 Renshaw ..... 248/346.04  
7,641,464 B2 \* 1/2010 Griffin et al. .... 425/267  
8,864,487 B2 \* 10/2014 Bailey ..... 425/266  
(\*\*) Term: **14 Years** 2005/0025850 A1 \* 2/2005 D'Estais ..... 425/263  
2008/0020084 A1 \* 1/2008 Piepenburg ..... 425/459  
(21) Appl. No.: **29/474,171** 2008/0089973 A1 \* 4/2008 Peart ..... 425/459  
2008/0258336 A1 \* 10/2008 Lester ..... 264/219  
(22) Filed: **Jun. 25, 2014** \* cited by examiner

**Related U.S. Application Data**

(62) Division of application No. 11/825,772, filed on Jul. 9, 2007, now abandoned.  
(51) **LOC (10) Cl.** ..... **15-09**  
(52) **U.S. Cl.**  
USPC ..... **D15/140**; D19/109  
(58) **Field of Classification Search**  
USPC ..... D6/708.21; D15/130, 140; D19/109  
CPC ..... B28B 1/02; B28B 1/025  
See application file for complete search history.

*Primary Examiner* — Patricia Palasik  
(74) *Attorney, Agent, or Firm* — Turan P. Odabasi

(57) **CLAIM**

I claim the ornamental design for a pottery holder, as shown and described.

**DESCRIPTION**

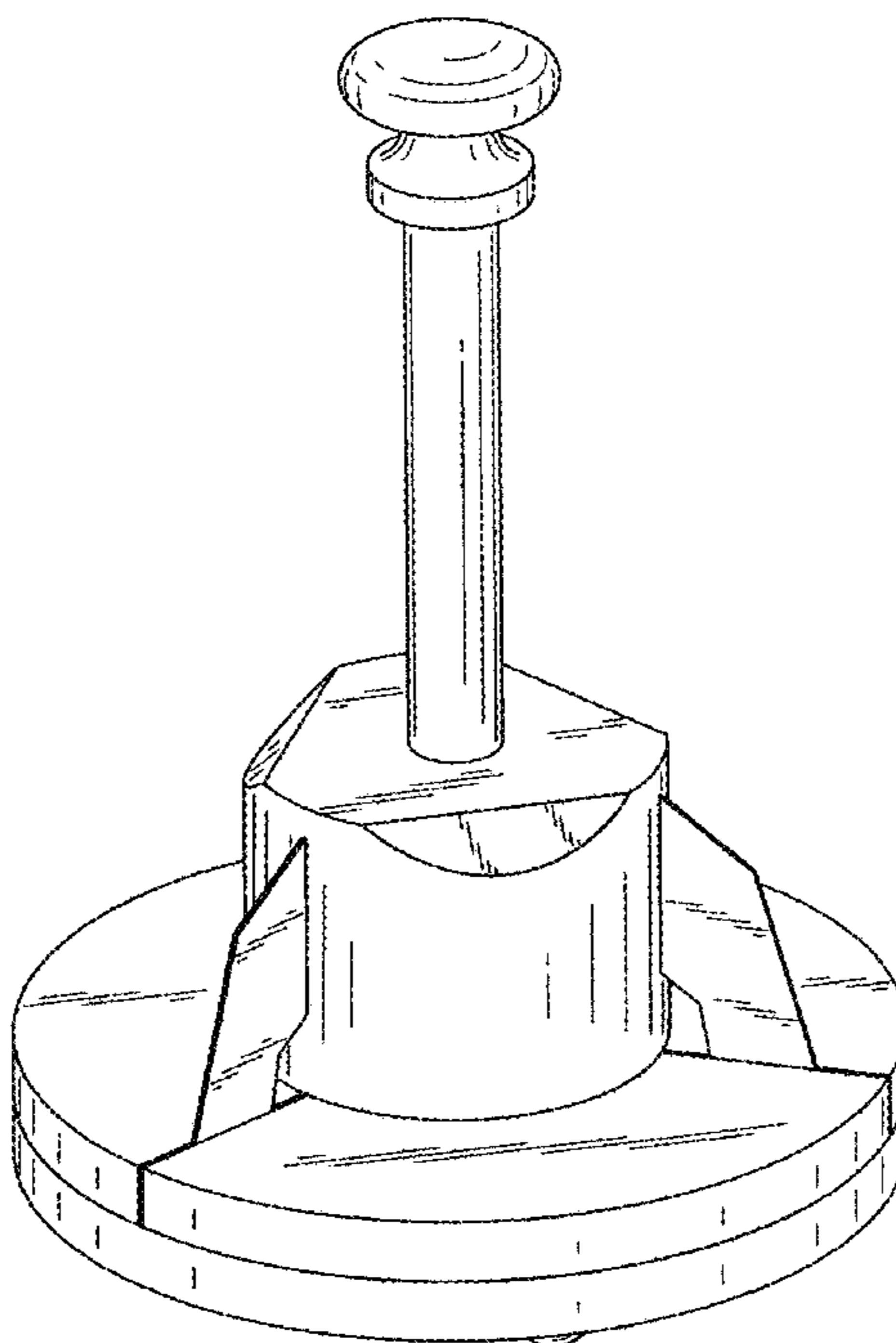
FIG. 1 is a perspective view of a pottery holder.  
FIG. 2 is a front view thereof.  
FIG. 3 is a rear view thereof.  
FIG. 4 is a right side view thereof.  
FIG. 5 is a left side view thereof.  
FIG. 6 is a top view thereof.  
FIG. 7 is a bottom view thereof; and,  
FIG. 8 is a front view thereof, show in an environment of use.  
The broken lines in the drawings depict unclaimed environmental subject matter.

(56) **References Cited**

**U.S. PATENT DOCUMENTS**

D134,330 S \* 11/1942 Brown ..... D15/122  
D228,091 S \* 8/1973 Soldner ..... D15/130  
D233,696 S \* 11/1974 Pipenburg ..... D15/130  
D243,276 S \* 2/1977 Soldner ..... D15/130  
4,028,041 A \* 6/1977 Zambrano, Jr. .... 425/459  
D245,009 S \* 7/1977 Ebstein ..... D15/130  
D251,378 S \* 3/1979 Doyel ..... D19/109  
D253,828 S \* 1/1980 Soldner ..... D15/130  
4,222,577 A \* 9/1980 Giffin ..... 279/114  
4,312,292 A \* 1/1982 Smith et al. .... 118/320

**1 Claim, 8 Drawing Sheets**



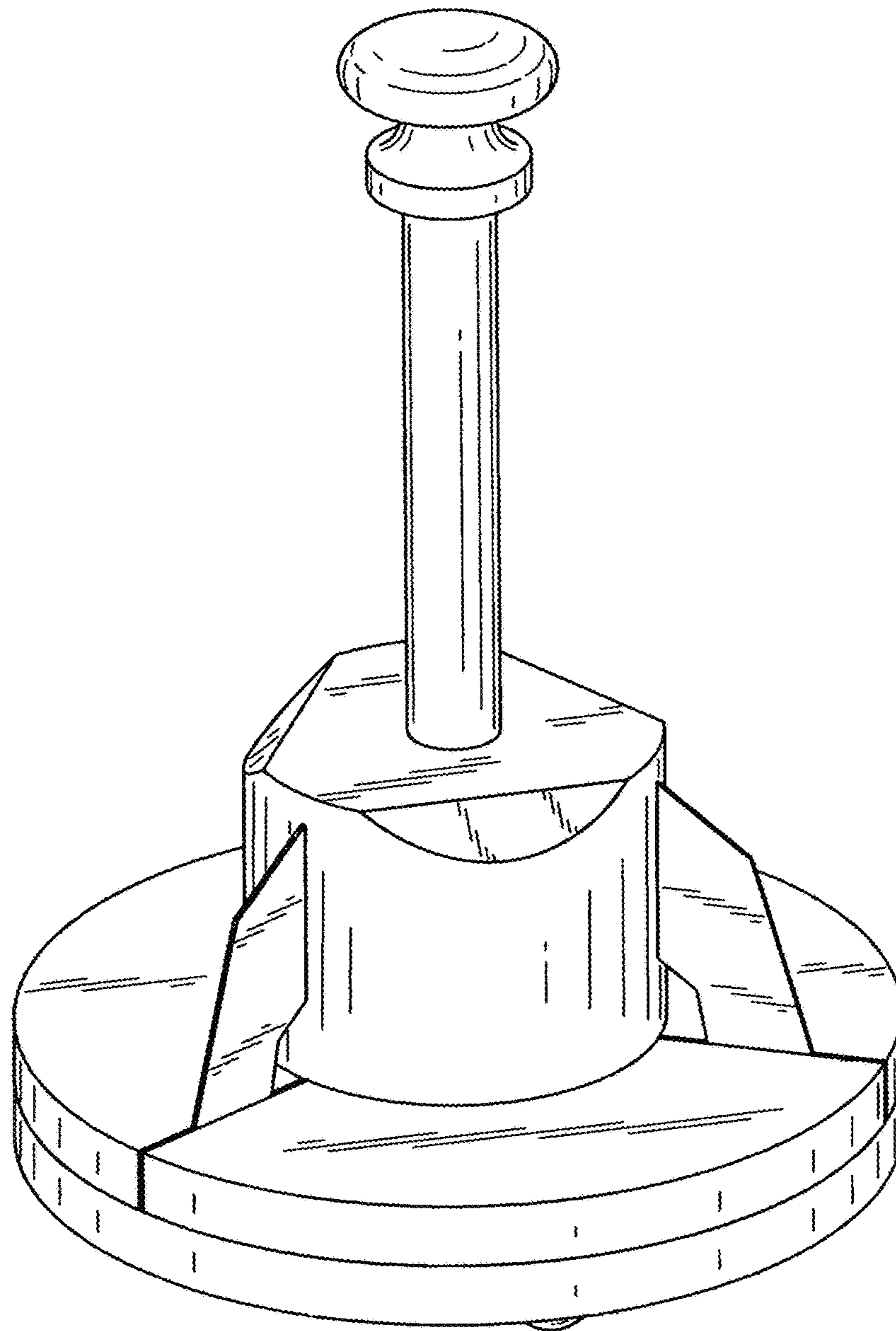


FIG. 1

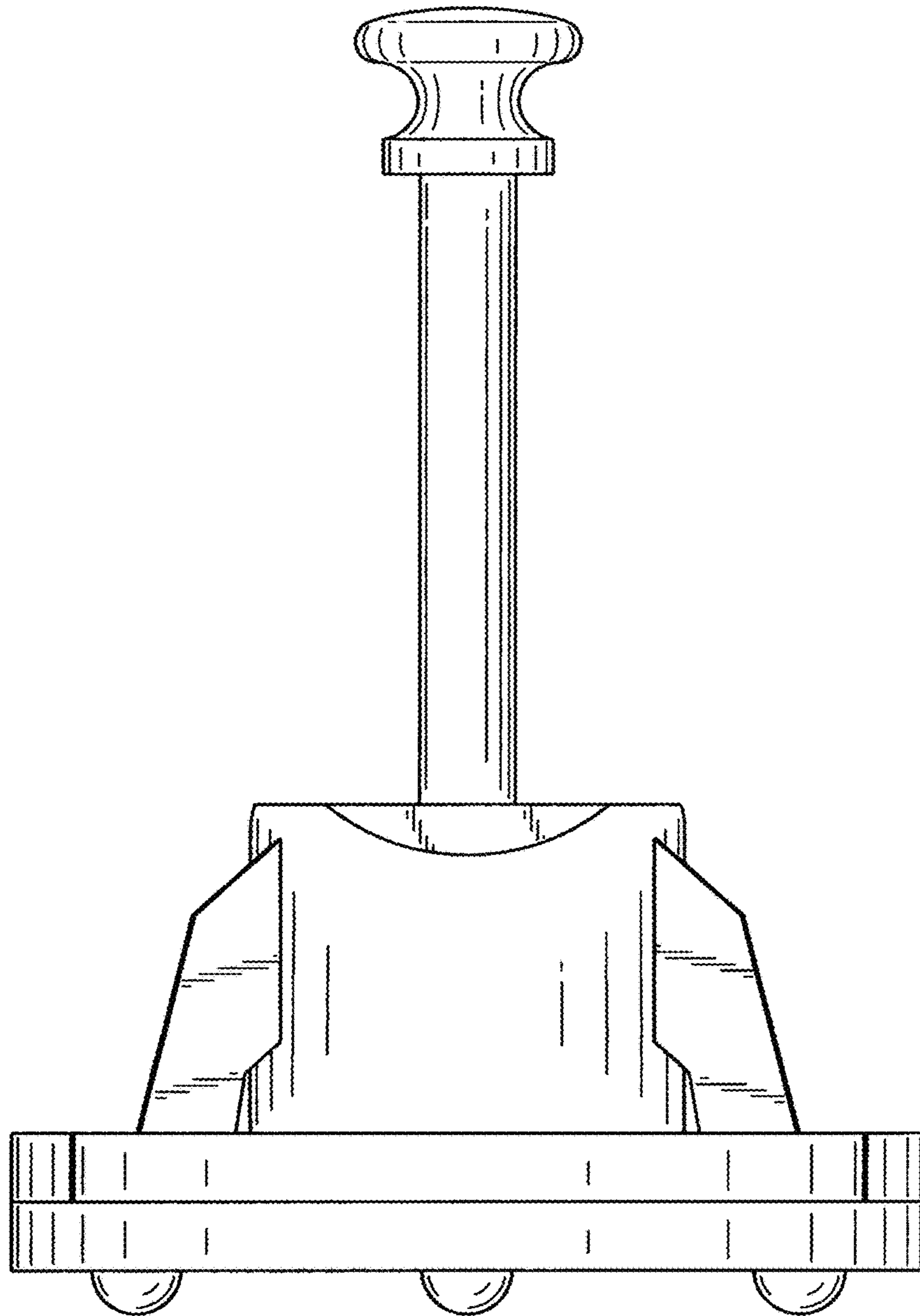


FIG. 2

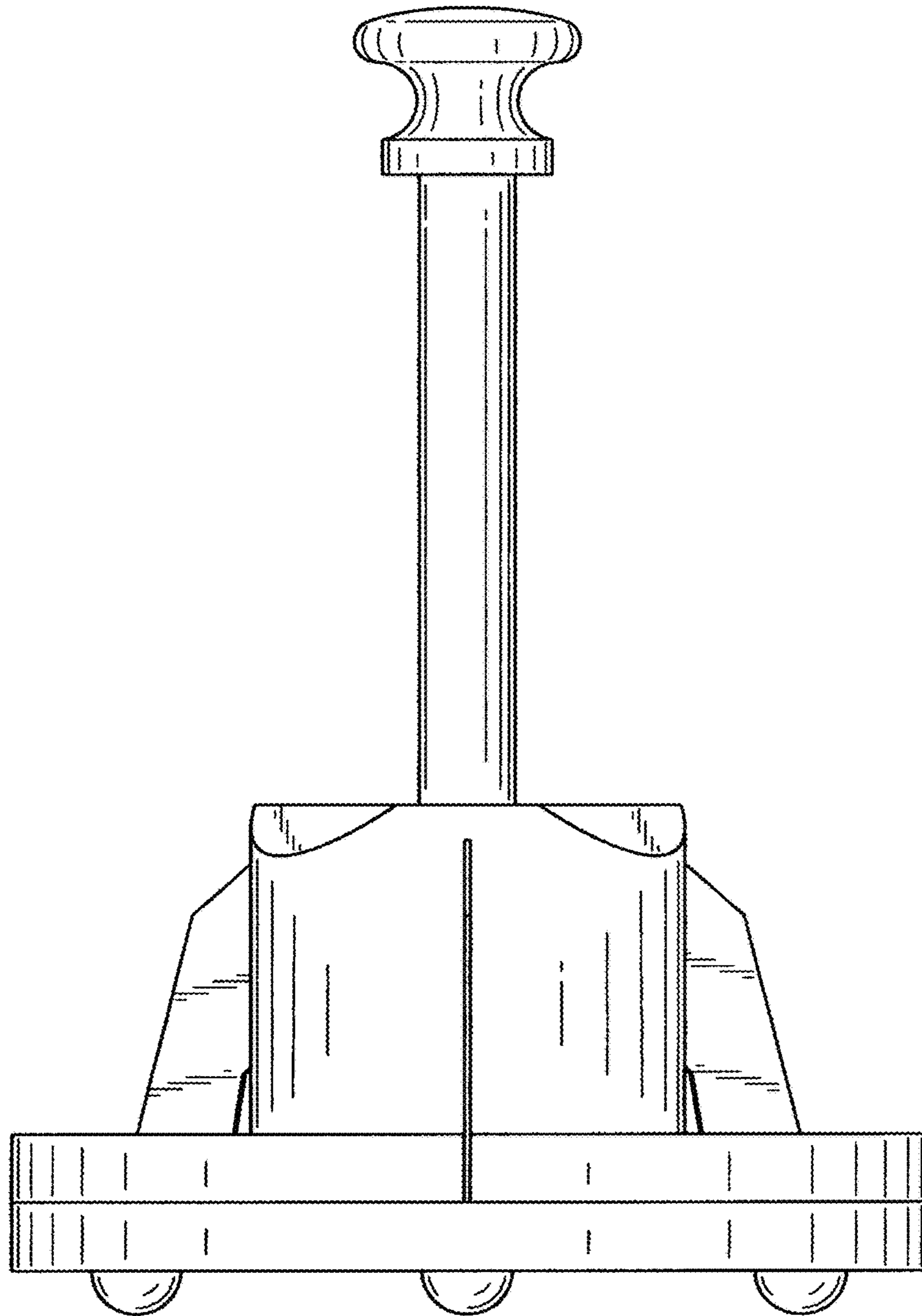


FIG. 3

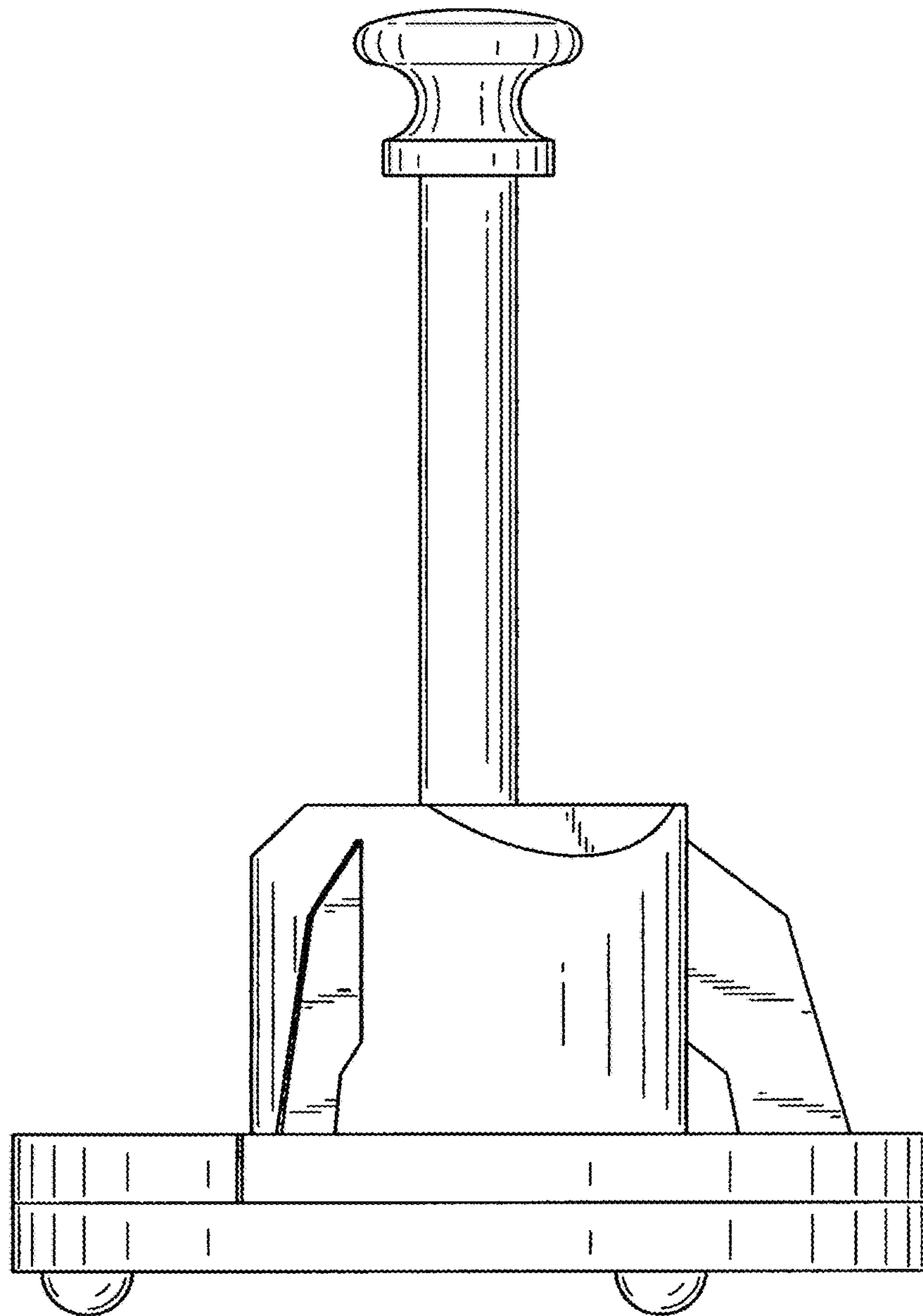


FIG. 4

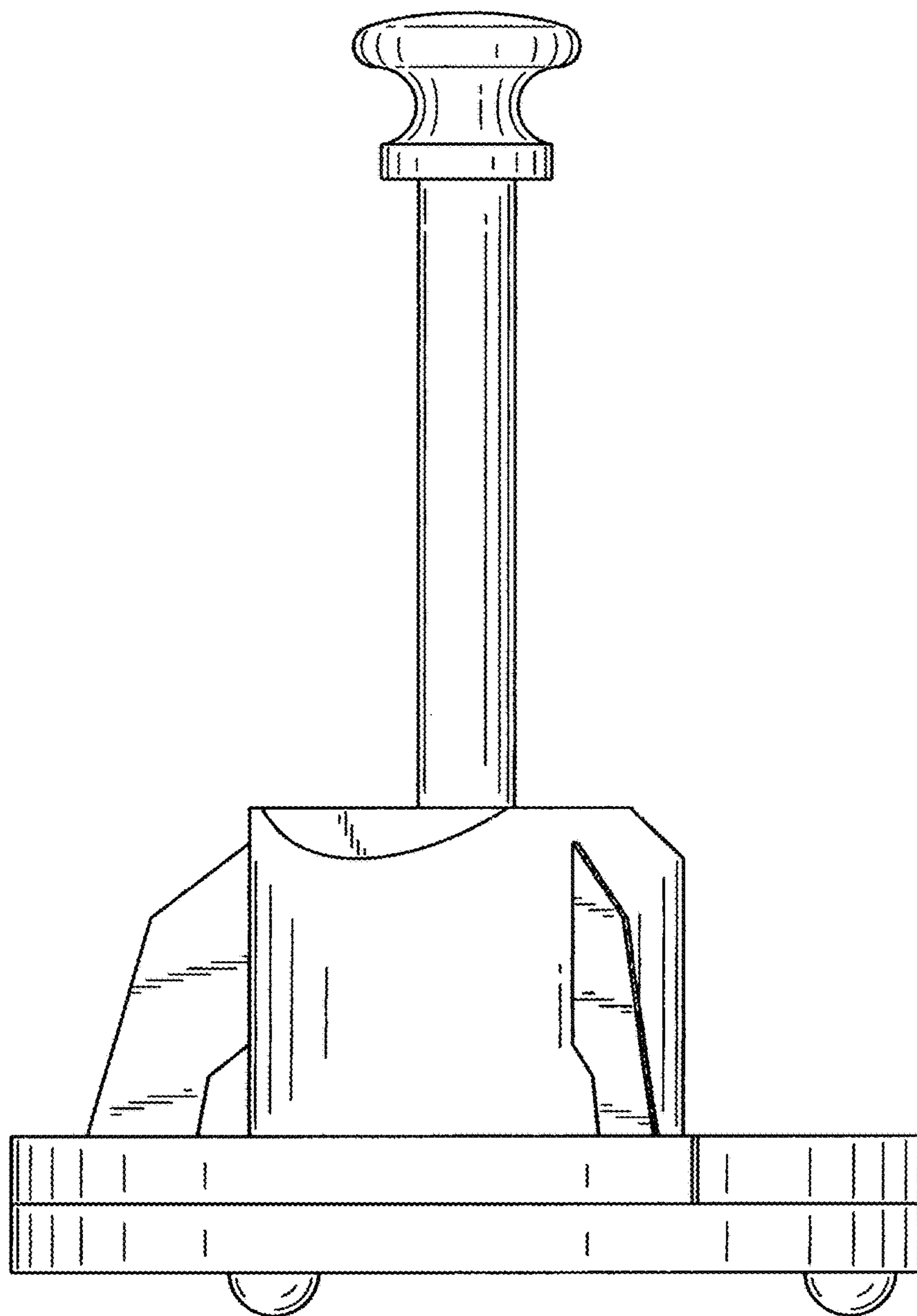


FIG. 5

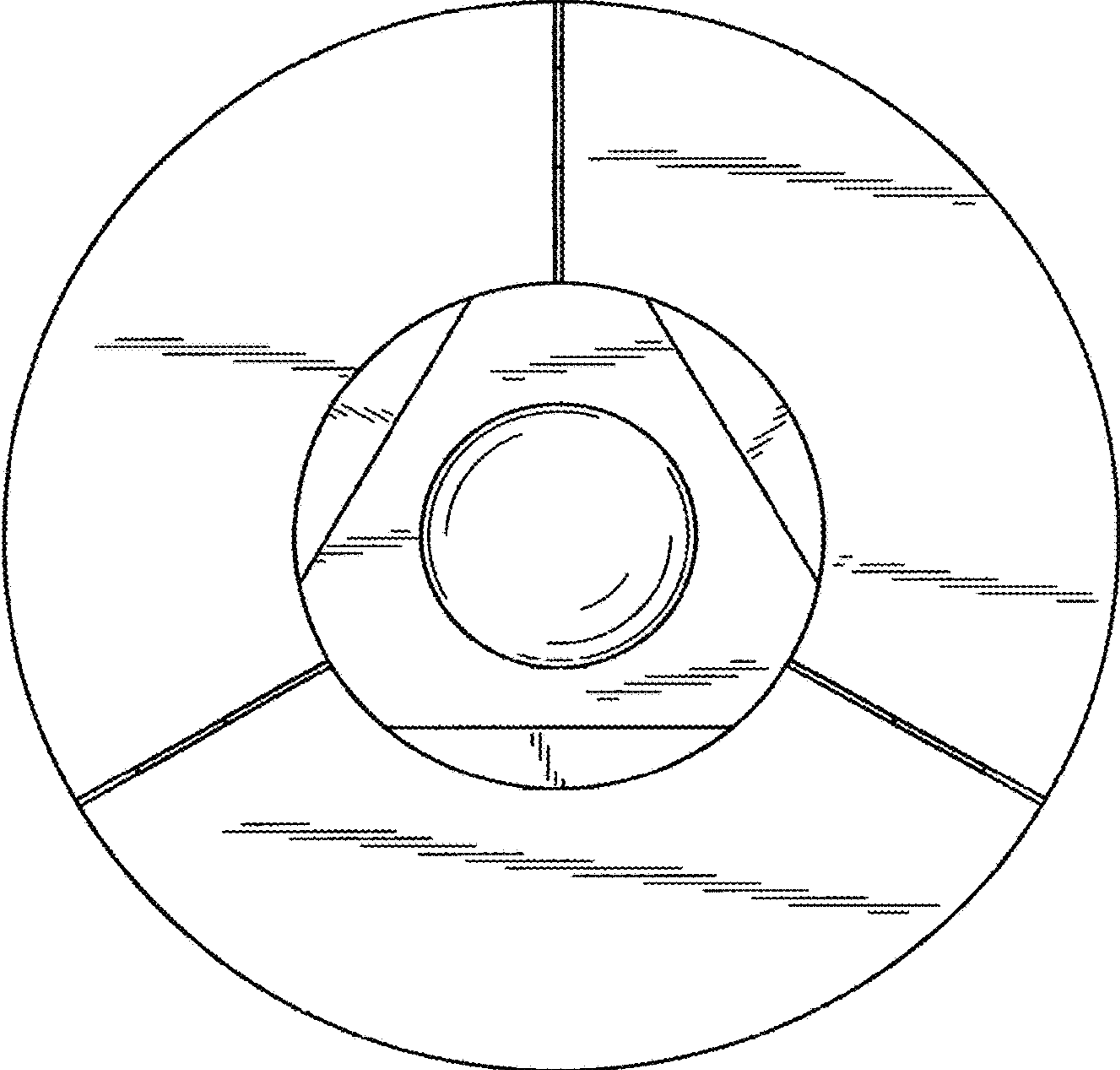


FIG. 6

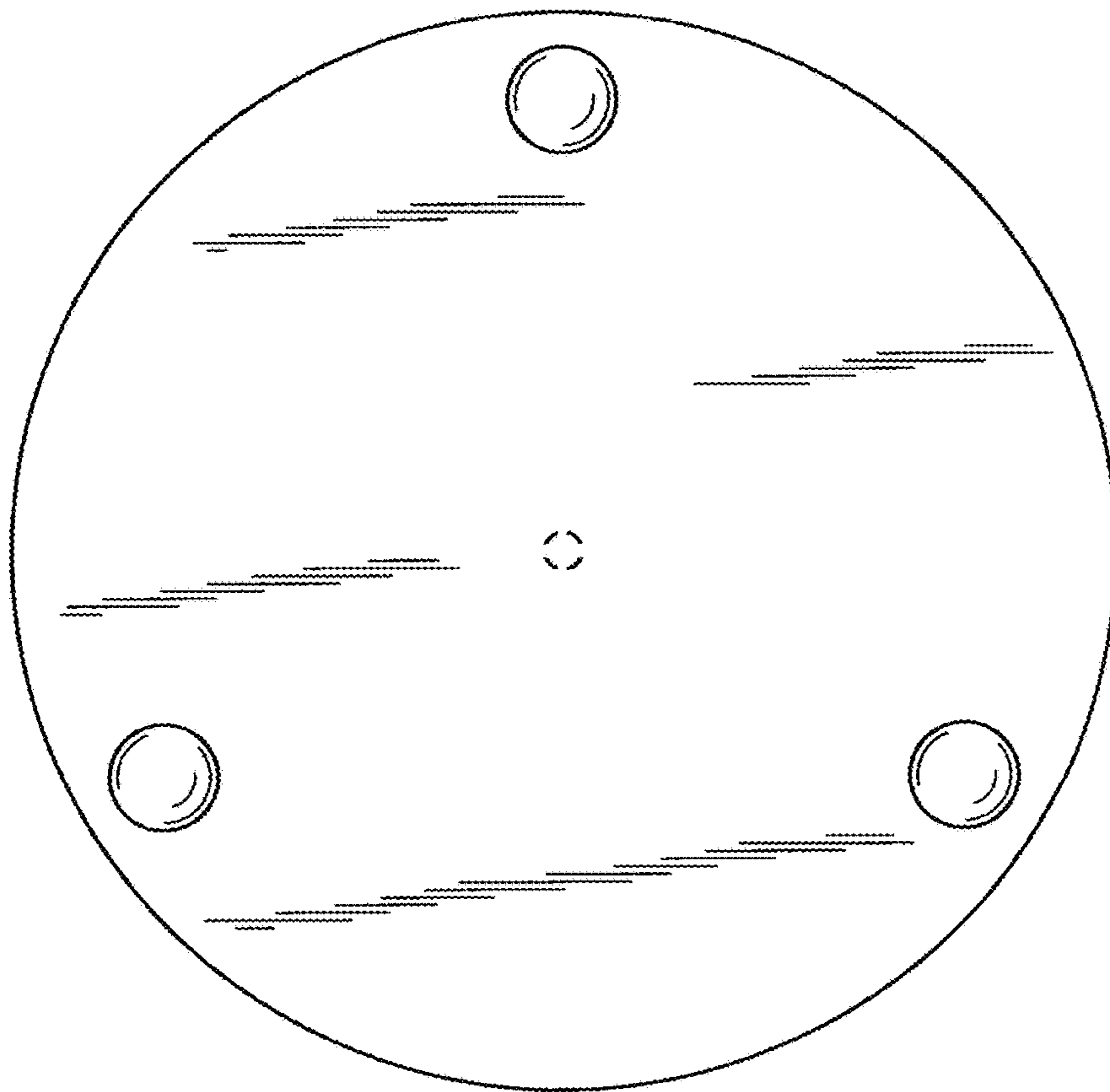


FIG. 7



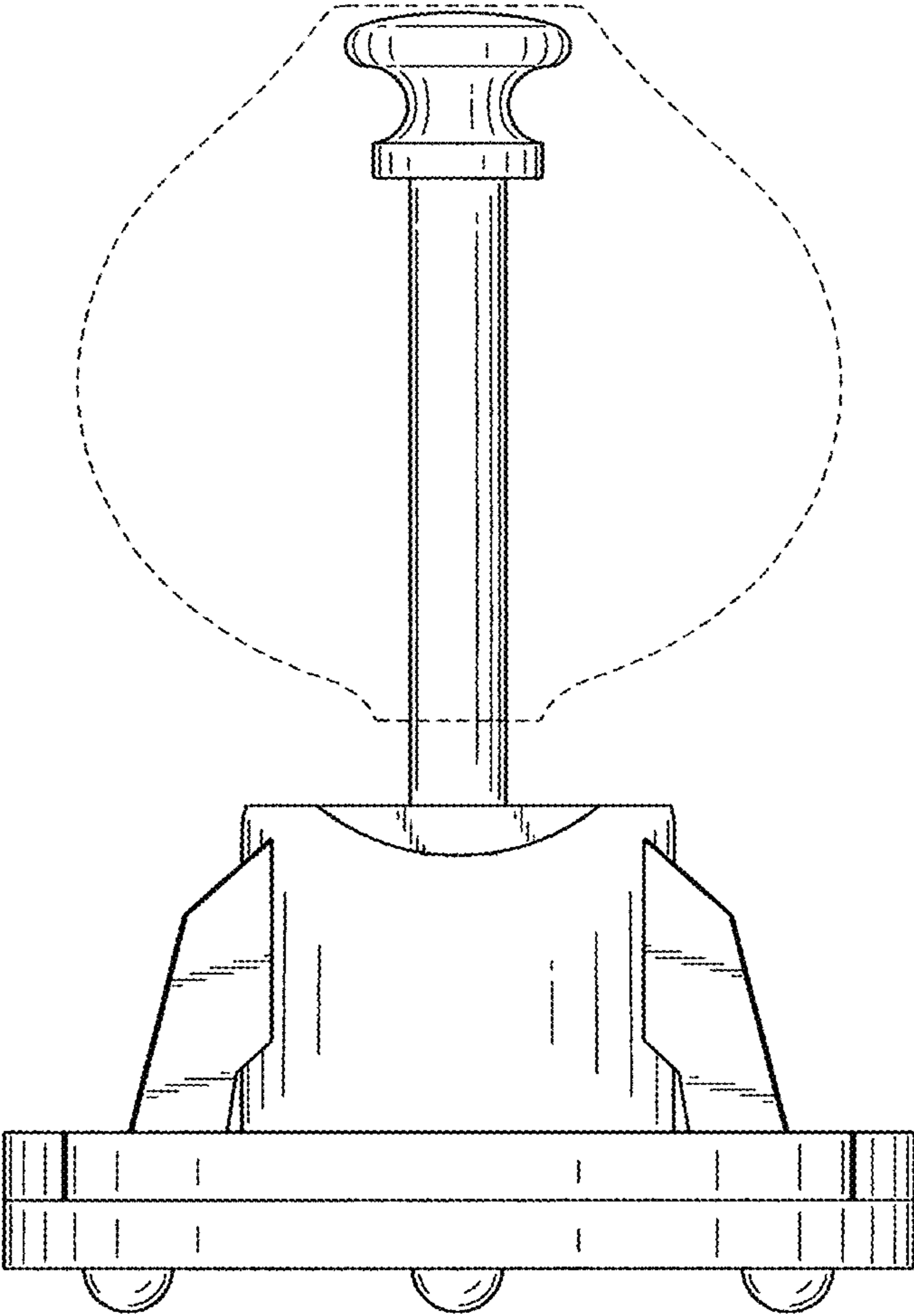


FIG. 8