



US00D785057S

(12) **United States Design Patent**
Strothmann et al.

(10) **Patent No.:** **US D785,057 S**
(45) **Date of Patent:** **** Apr. 25, 2017**

(54) **BAKE PLATE**

(71) Applicant: **Brewer Science Inc.**, Rolla, MO (US)

(72) Inventors: **Jim Strothmann**, Rolla, MO (US);
Roger A. Ruesing, Rolla, MO (US);
Brandon Wilson, Rolla, MO (US);
Kirk Emory, Rolla, MO (US)

(73) Assignee: **Brewer Science Inc.**, Rolla, MO (US)

(**) Term: **14 Years**

(21) Appl. No.: **29/491,482**

(22) Filed: **May 21, 2014**

(51) **LOC (10) Cl.** **15-09**

(52) **U.S. Cl.**
USPC **D15/122**

(58) **Field of Classification Search**
USPC D15/122, 144, 144.1, 144.2
See application file for complete search history.

(56) **References Cited**

U.S. PATENT DOCUMENTS

6,204,551 B1 * 3/2001 Lin 257/650
6,780,571 B1 * 8/2004 Choi 430/322

(Continued)

Primary Examiner — Patricia Palasik

(74) *Attorney, Agent, or Firm* — Hovey Williams LLP

(57) **CLAIM**

The ornamental design for a bake plate, as shown and described.

DESCRIPTION

FIG. 1 is a front perspective view of a bake plate embodying our design;

FIG. 2 is a rear perspective view of the bake plate shown in FIG. 1;

FIG. 3 is a top view of the bake plate shown in FIGS. 1 and 2;

FIG. 4 is a front elevation view of the bake plate depicted in FIGS. 1-3;

FIG. 5 is a side elevation view of the bake plate depicted in FIGS. 1-4;

FIG. 6 is a rear elevation view of the bake plate depicted in FIGS. 1-5;

FIG. 7 is a side elevation view of the bake plate opposite that shown in FIG. 5;

FIG. 8 is a front perspective view of a bake plate embodying our design, with the lid, display, rearmost portion of the cabinet, and a number of other features of the cabinet being shown in broken lines for illustrative purposes only and forming no part of the claimed design;

FIG. 9 is a rear perspective view of the bake plate shown in FIG. 8;

FIG. 10 is a top view of the bake plate shown in FIGS. 8 and 9;

FIG. 11 is a front elevation view of the bake plate depicted in FIGS. 8-10;

FIG. 12 is a side elevation view of the bake plate depicted in FIGS. 8-11;

FIG. 13 is a side elevation view of the bake plate opposite that shown in FIG. 12;

FIG. 14 is a front perspective view of a bake plate embodying our design, with all but the front portion of the cabinet being shown in broken lines, such that the remaining portion of the cabinet and a number of other features of the cabinet are shown for illustrative purposes only and form no part of the claimed design;

FIG. 15 is a rear perspective view of the bake plate shown in FIG. 14;

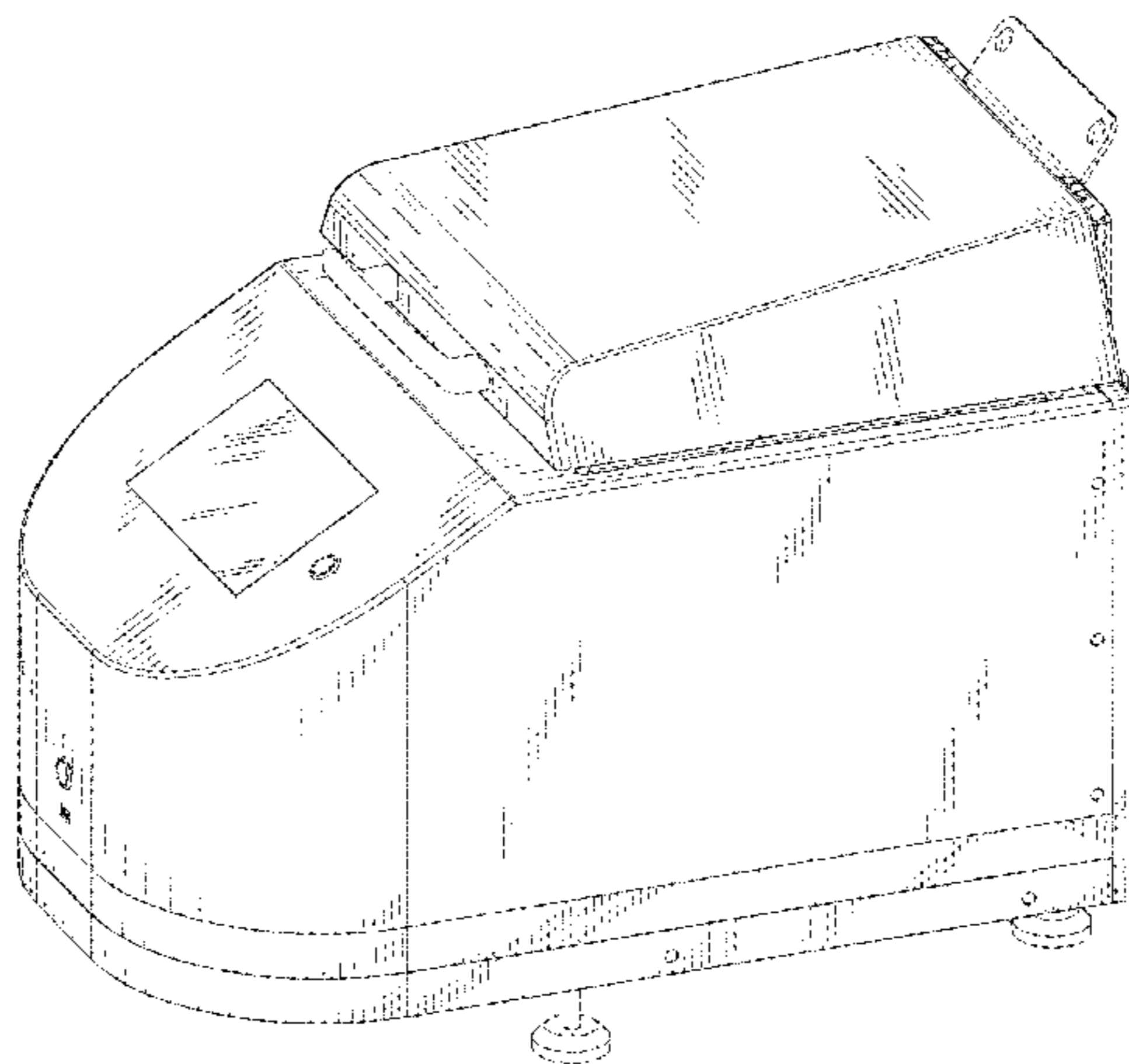
FIG. 16 is a top view of the bake plate shown in FIGS. 14 and 15;

FIG. 17 is a front elevation view of the bake plate depicted in FIGS. 14-16;

FIG. 18 is a side elevation view of the bake plate depicted in FIGS. 14-17; and,

FIG. 19 is a side elevation view of the bake plate opposite that shown in FIG. 18.

(Continued)



The broken lines are directed to environment and/or are for illustrative purposes only. None of the broken lines form part of the claimed design.

1 Claim, 19 Drawing Sheets

(56) **References Cited**

U.S. PATENT DOCUMENTS

6,891,134	B2 *	5/2005	Mandal	219/465.1
7,274,005	B2 *	9/2007	Quach et al.	219/444.1
7,741,583	B2 *	6/2010	Winkler et al.	219/390
D621,426	S *	8/2010	Fusejima et al.	D15/122
D654,935	S *	2/2012	Kishimura et al.	D15/122
D655,323	S *	3/2012	Brockhage	D15/145
8,211,234	B2 *	7/2012	Rosenblatt	118/730
8,387,674	B2 *	3/2013	Yu et al.	156/535
D685,825	S *	7/2013	Hoelbl	D15/122
D694,298	S *	11/2013	Hoelbl	D15/122
8,578,877	B2 *	11/2013	Tajima	118/666
8,640,755	B2 *	2/2014	Canale et al.	156/382
8,758,553	B2 *	6/2014	Riege et al.	156/718
8,888,085	B2 *	11/2014	Canale et al.	269/289 R
9,224,631	B2 *	12/2015	Puligadda et al.	

* cited by examiner

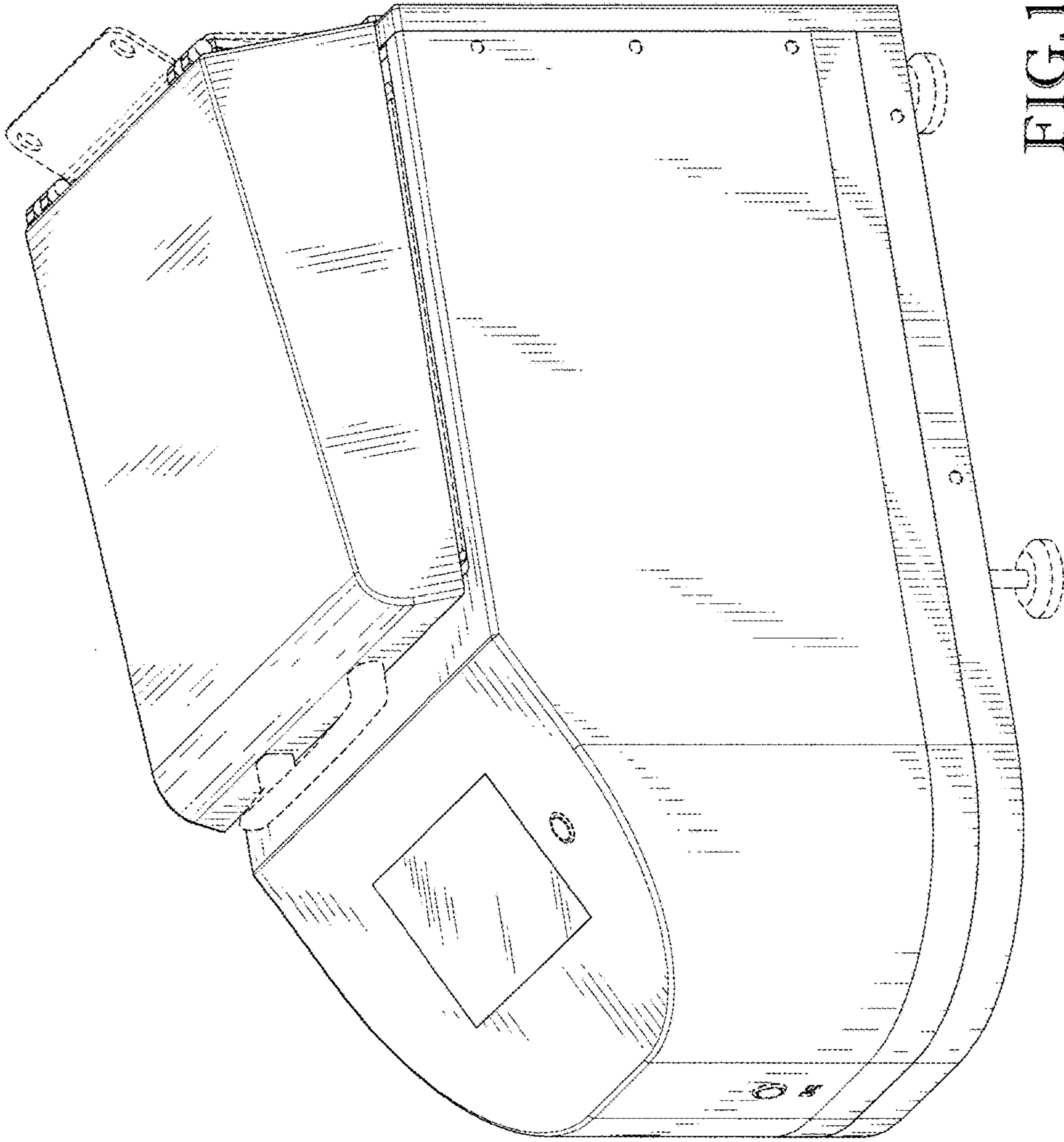


FIG. 1

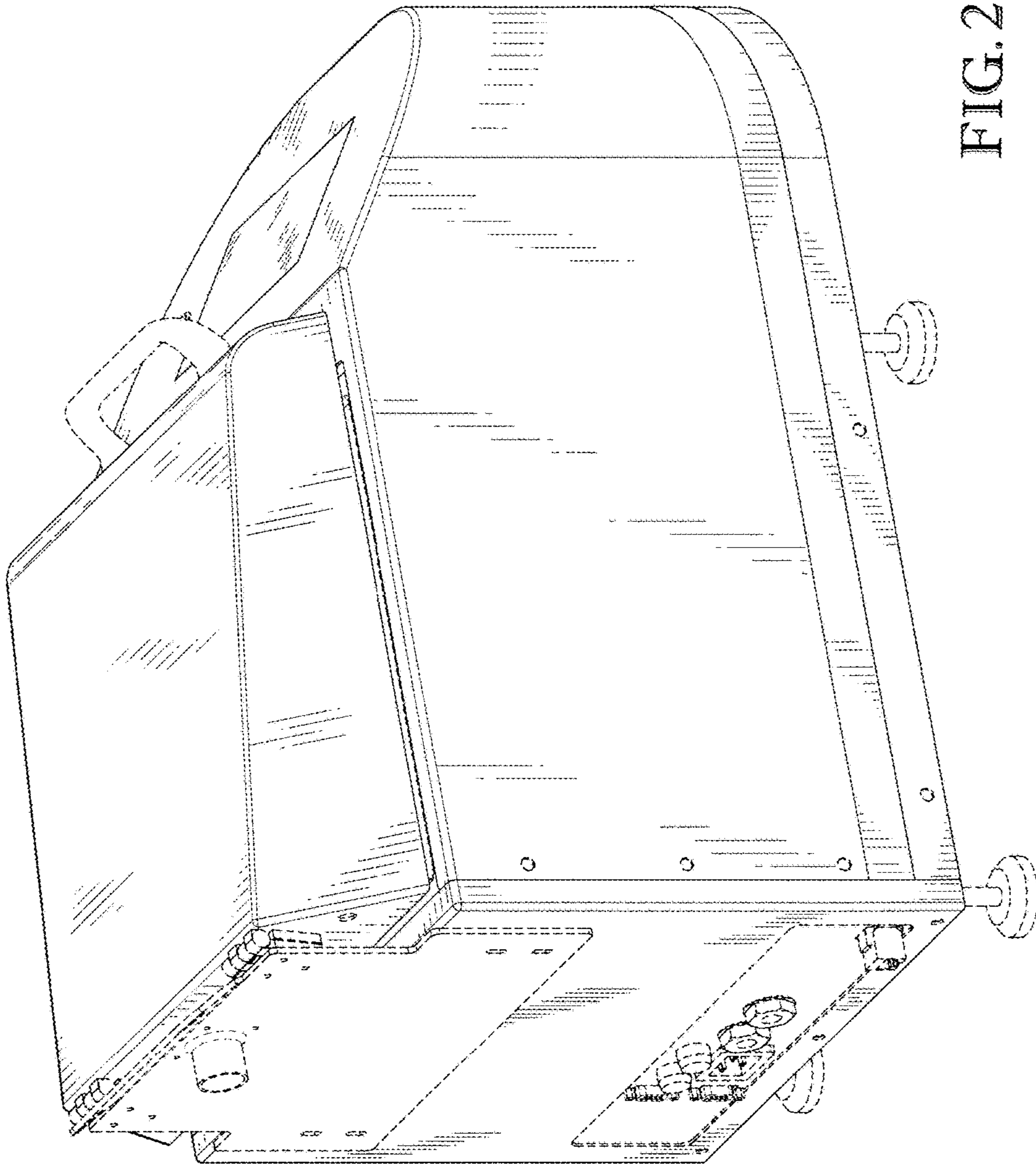


FIG. 2

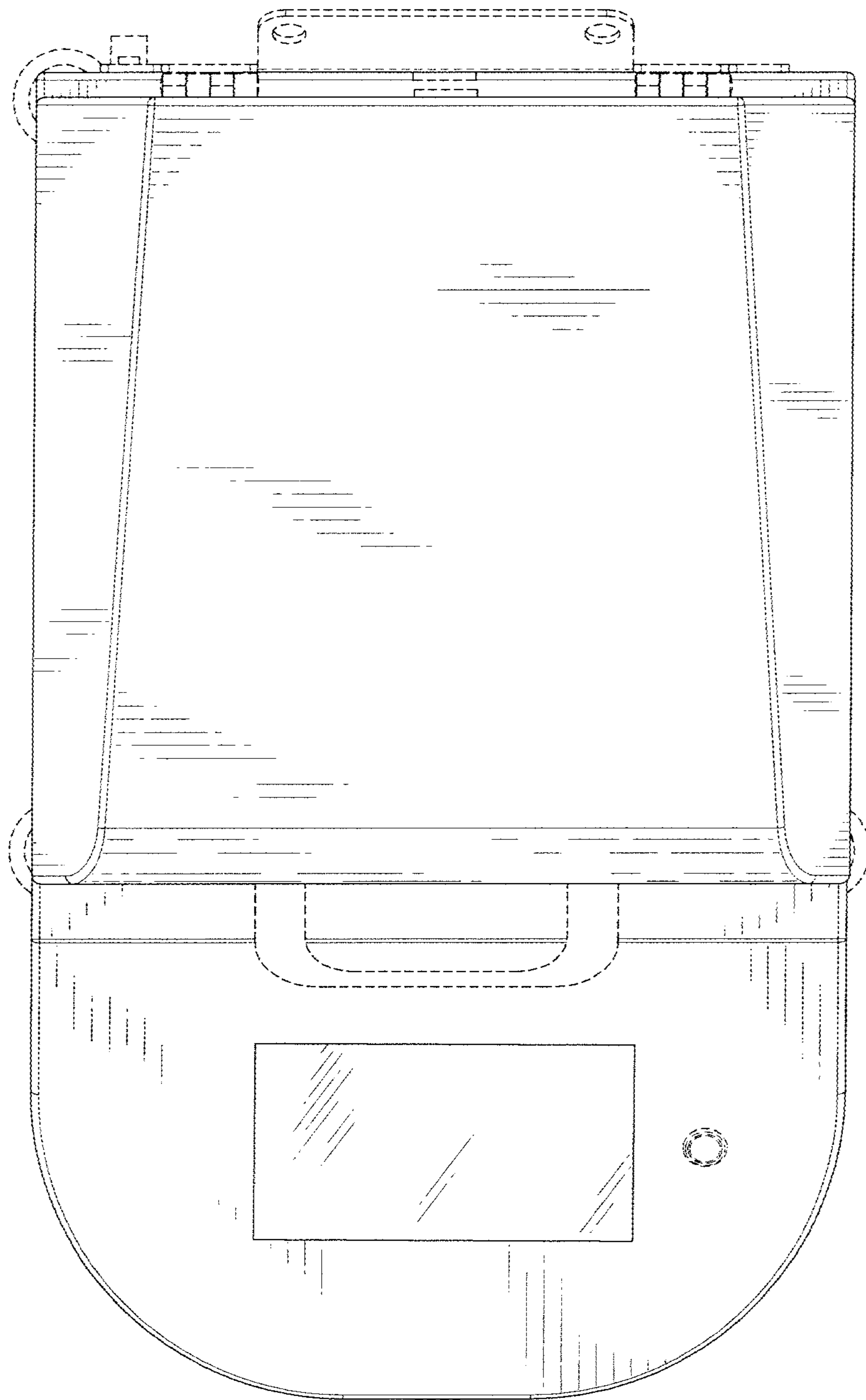


FIG. 3

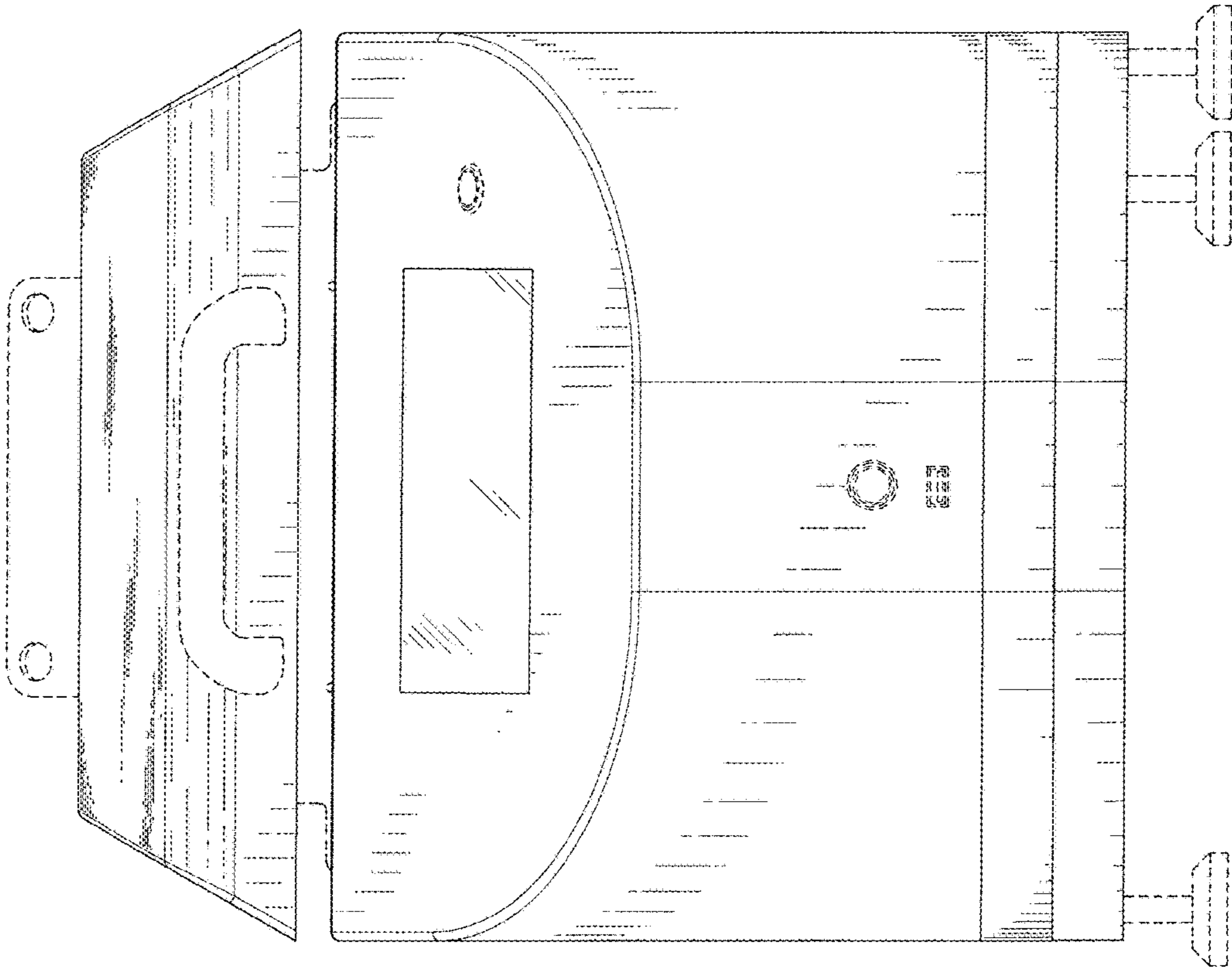


FIG. 4

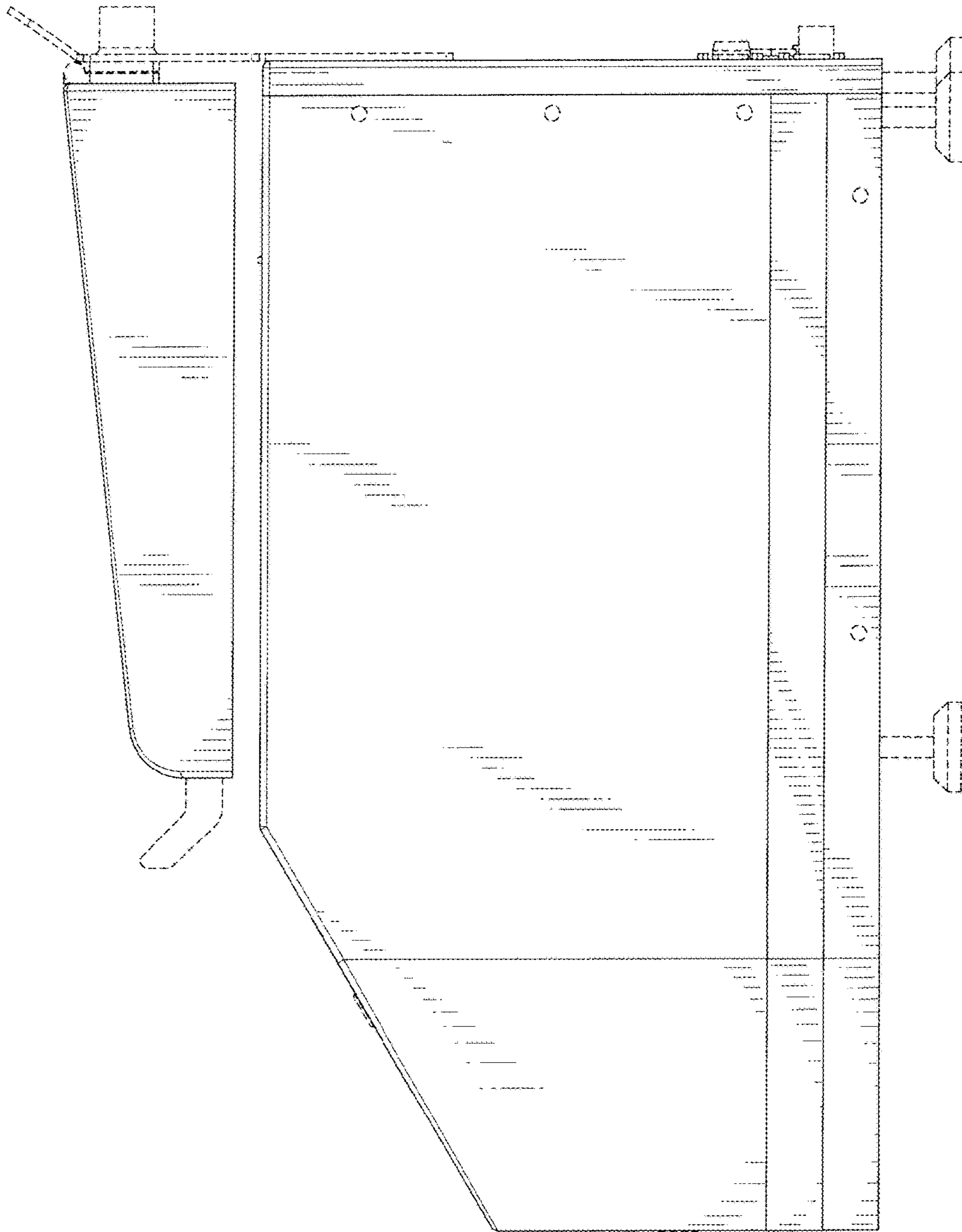


FIG. 5

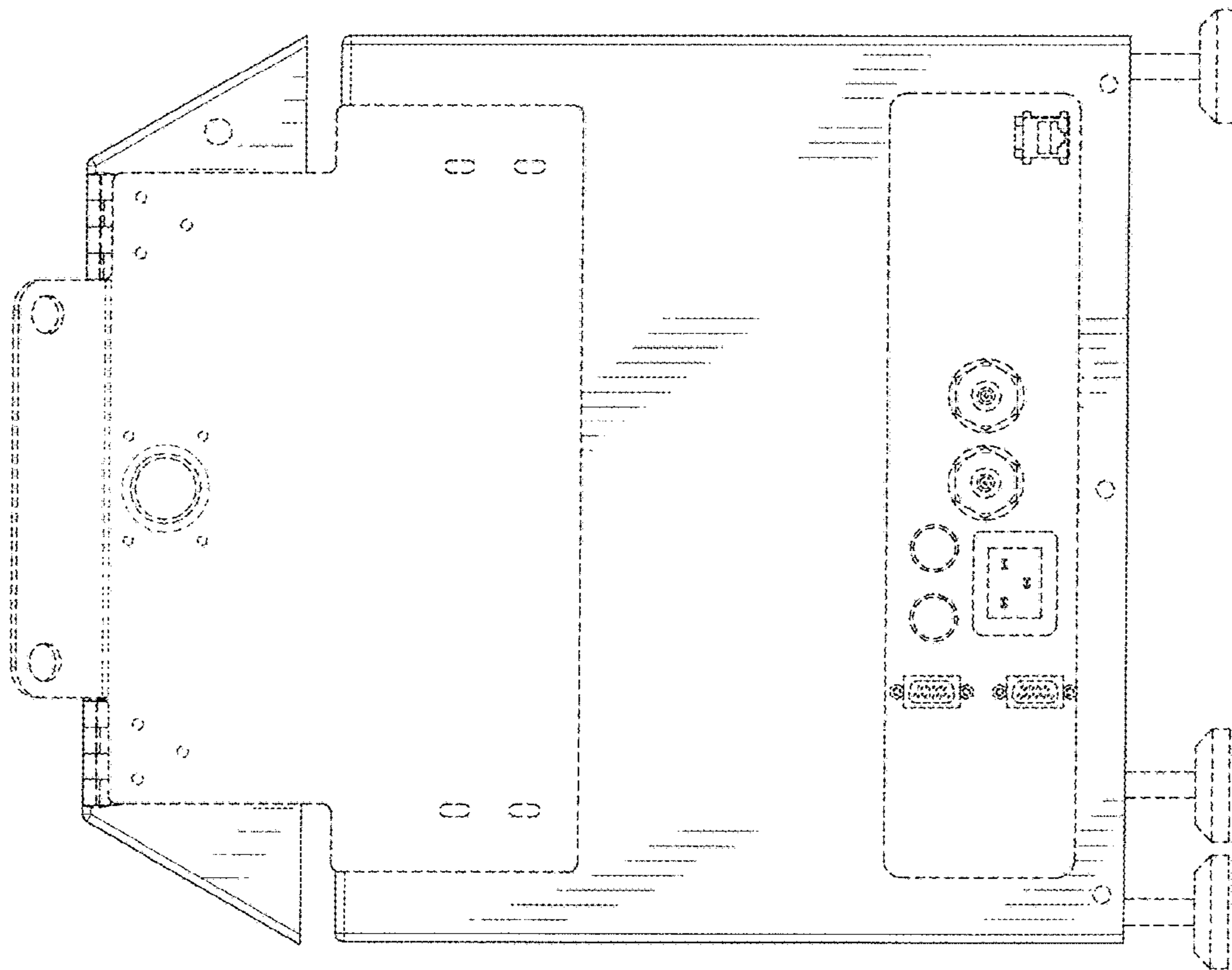


FIG. 6

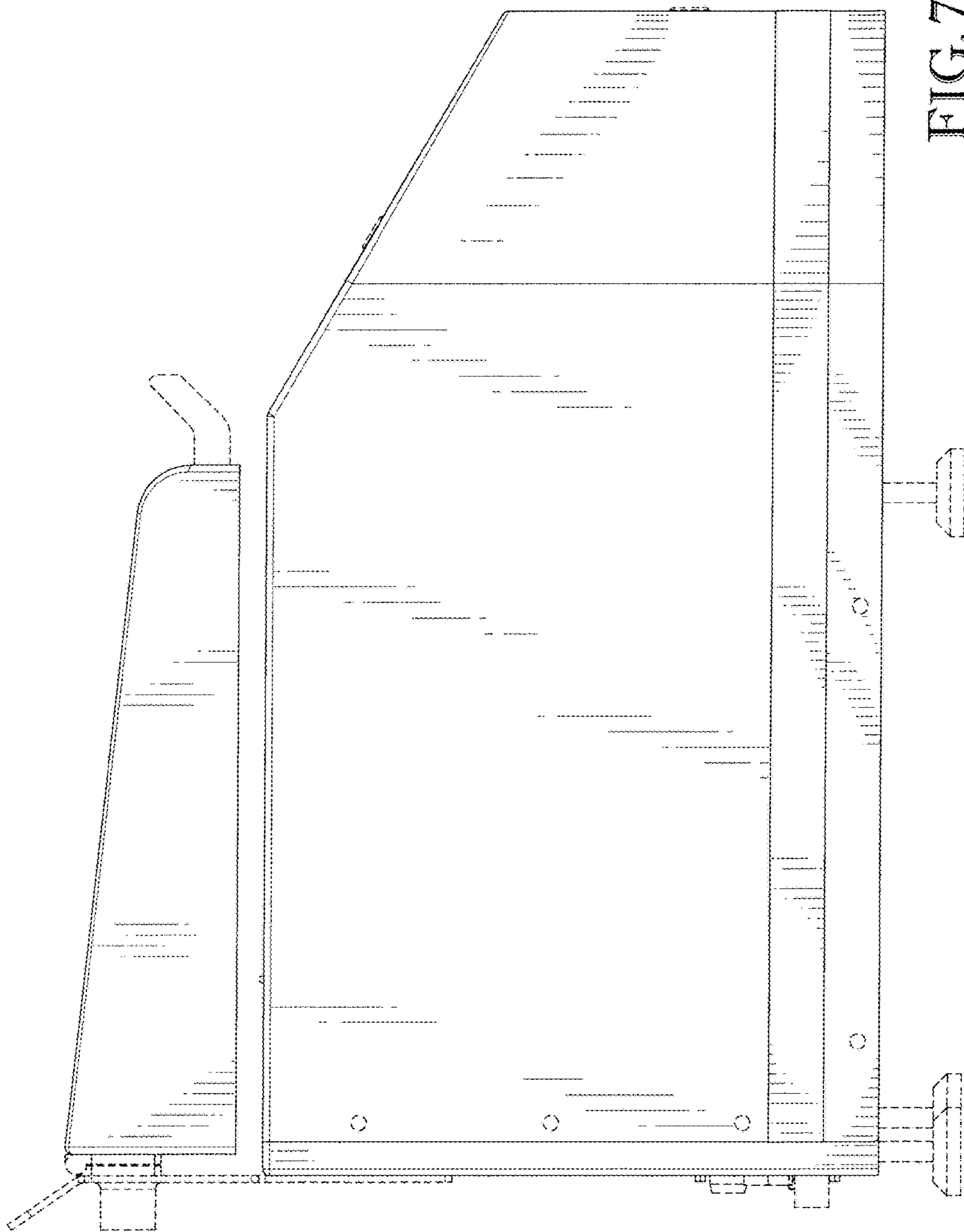


FIG. 7

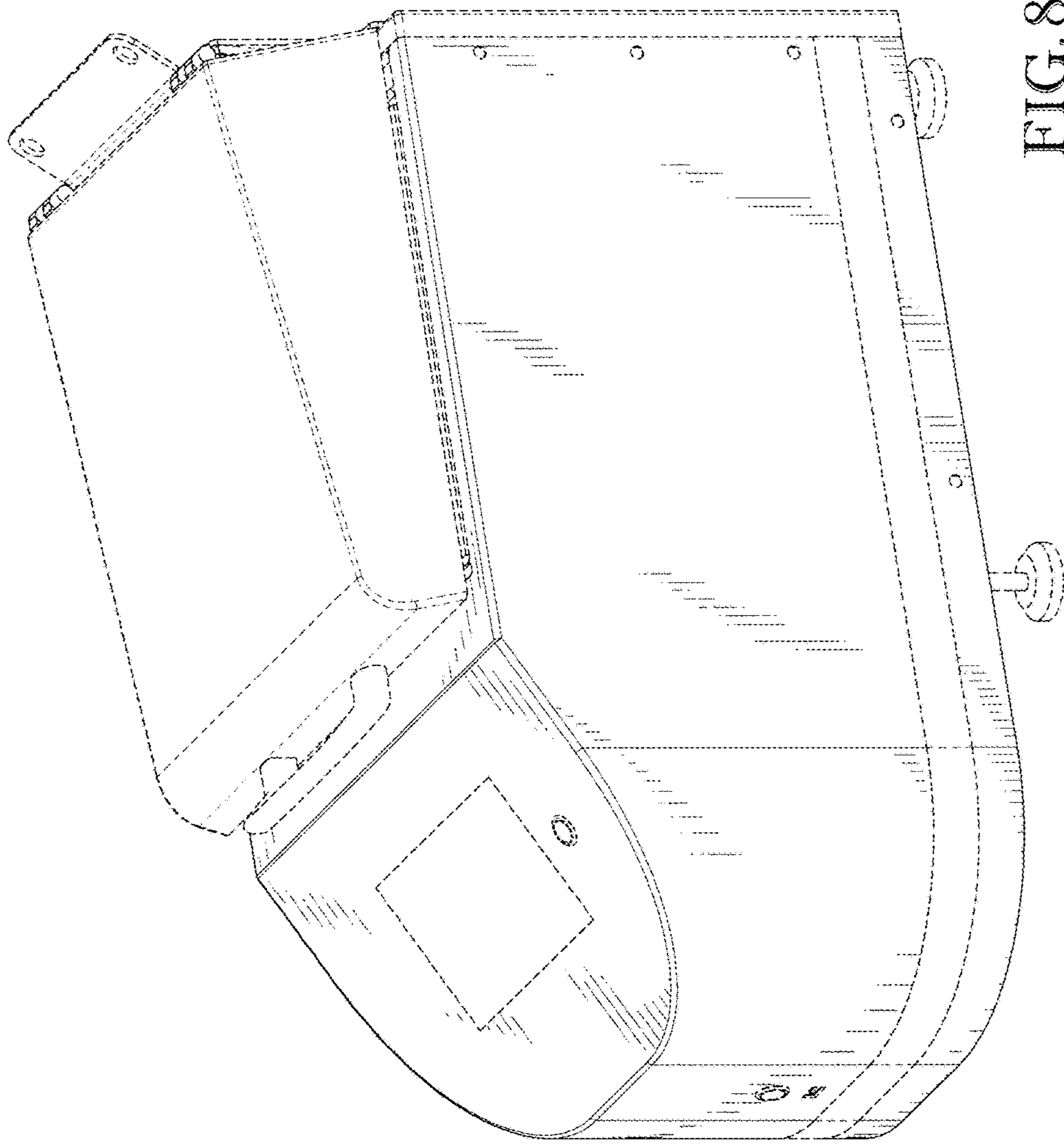


FIG. 8

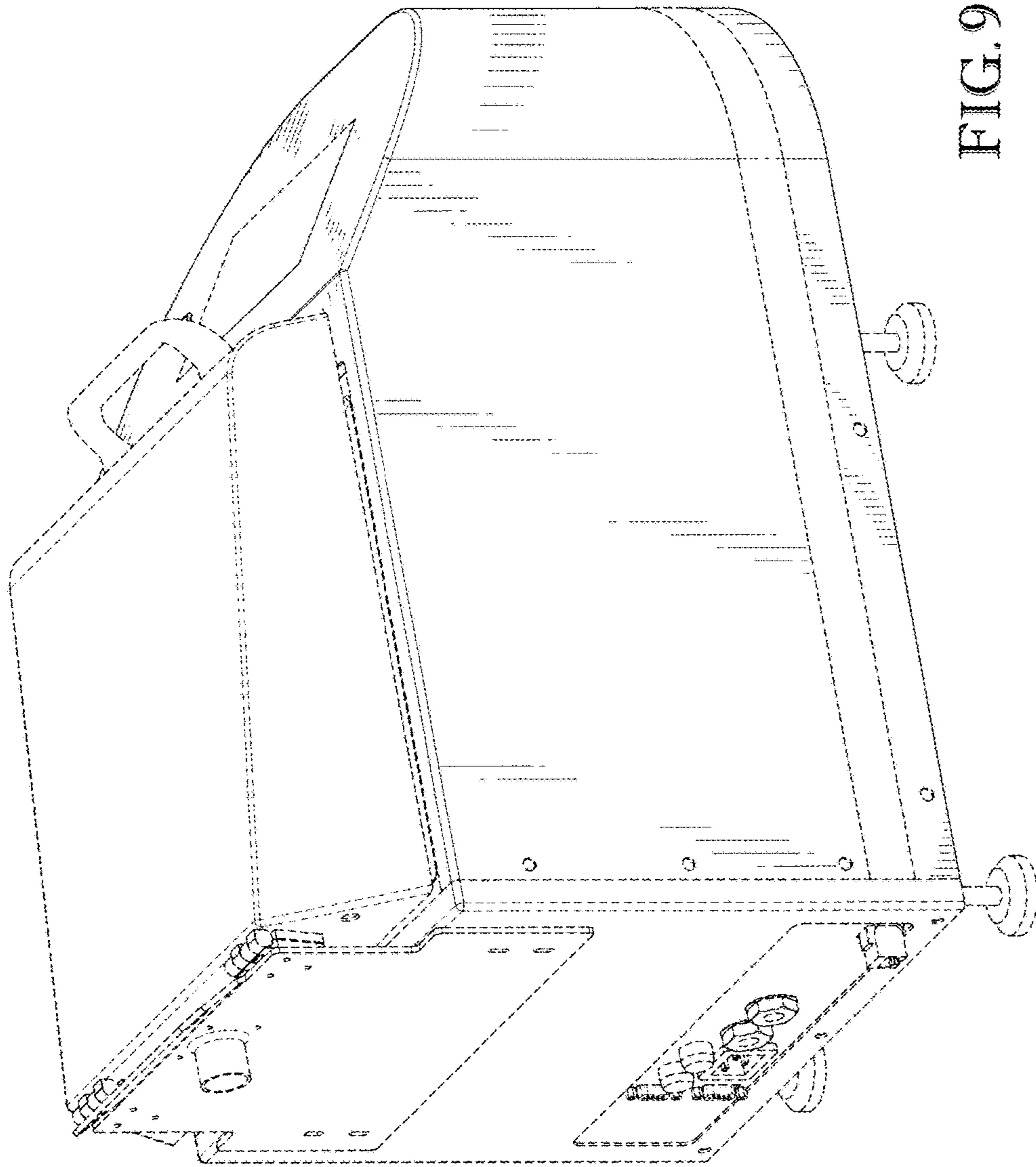


FIG. 9

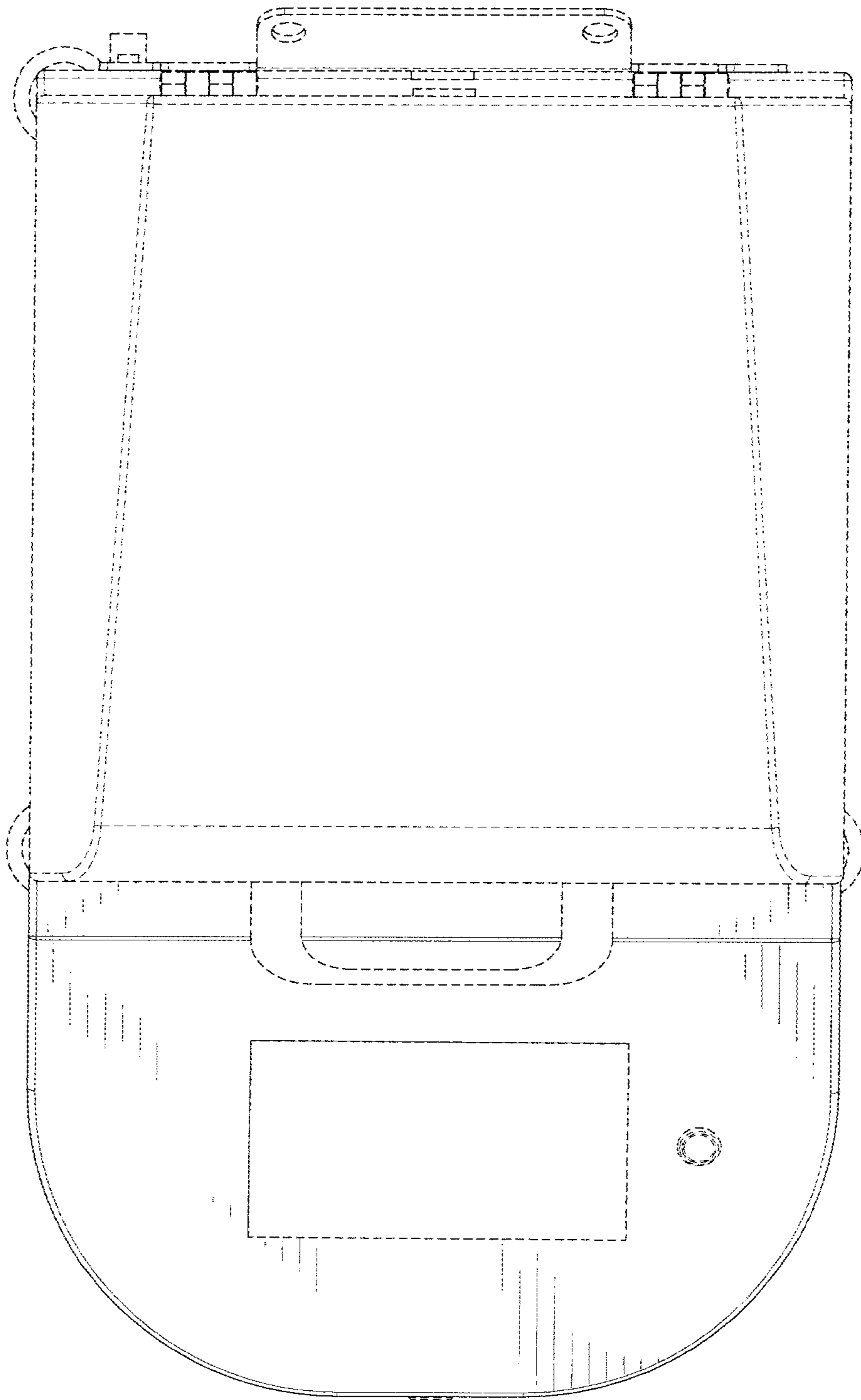


FIG. 10

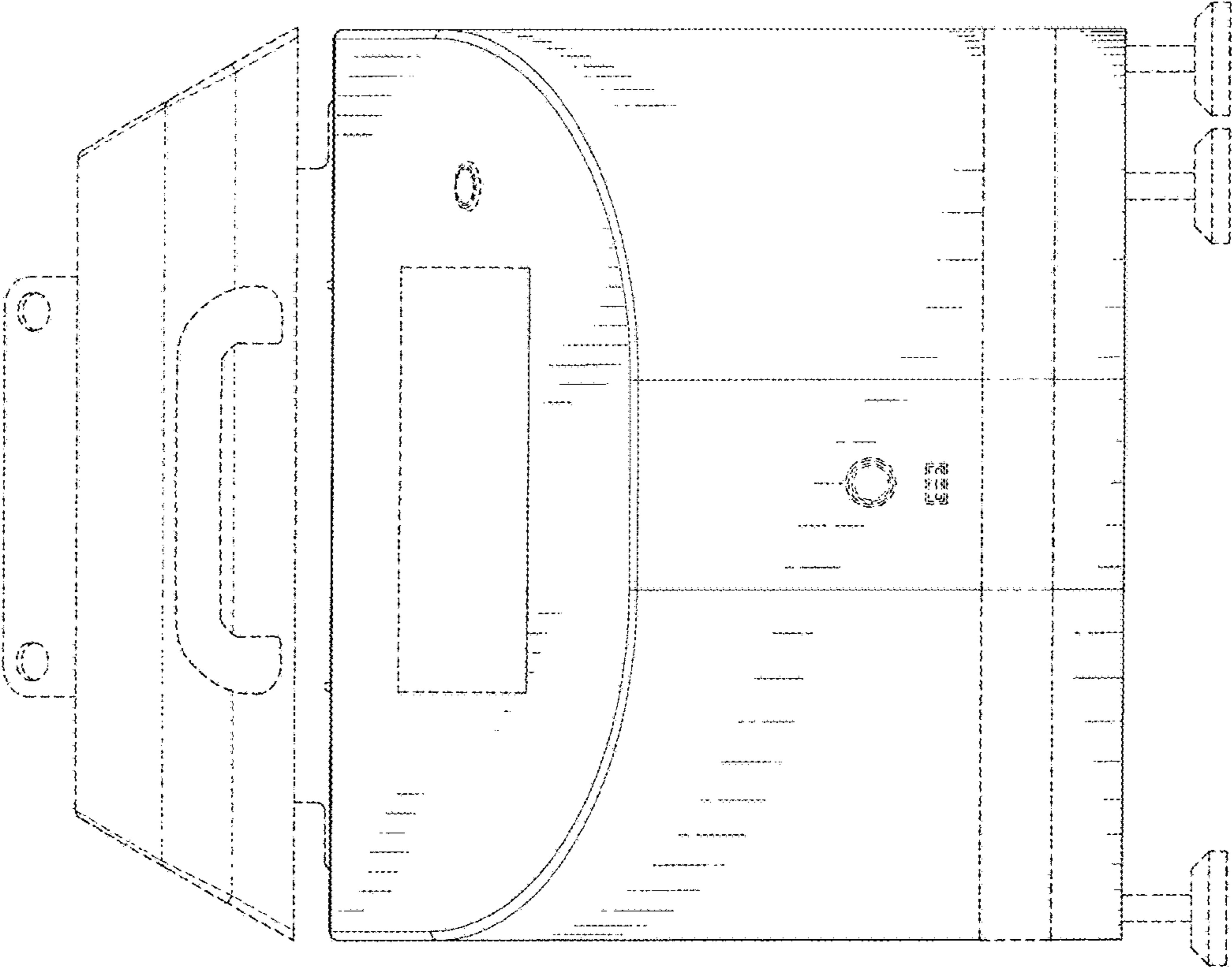


FIG. 11

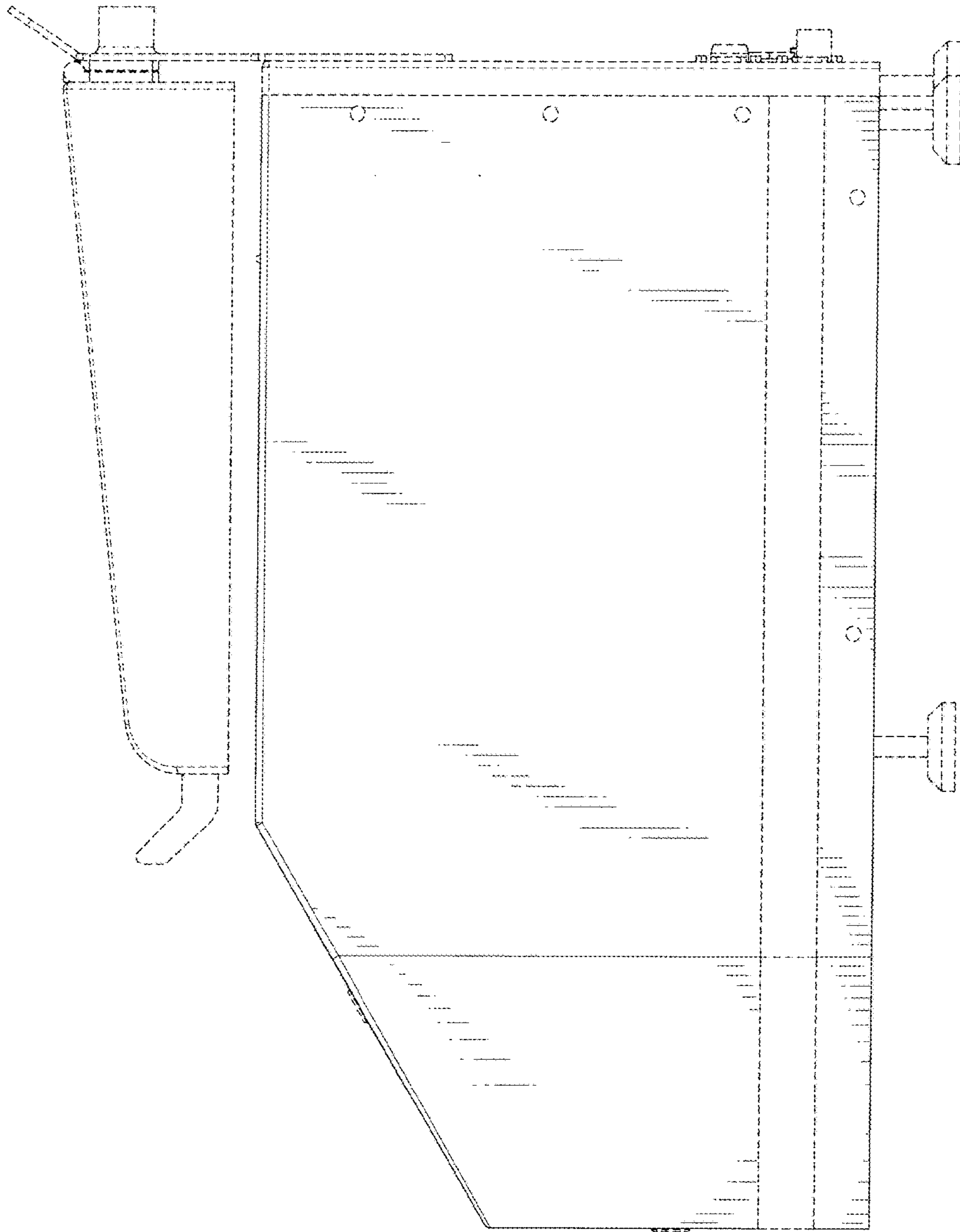


FIG. 12

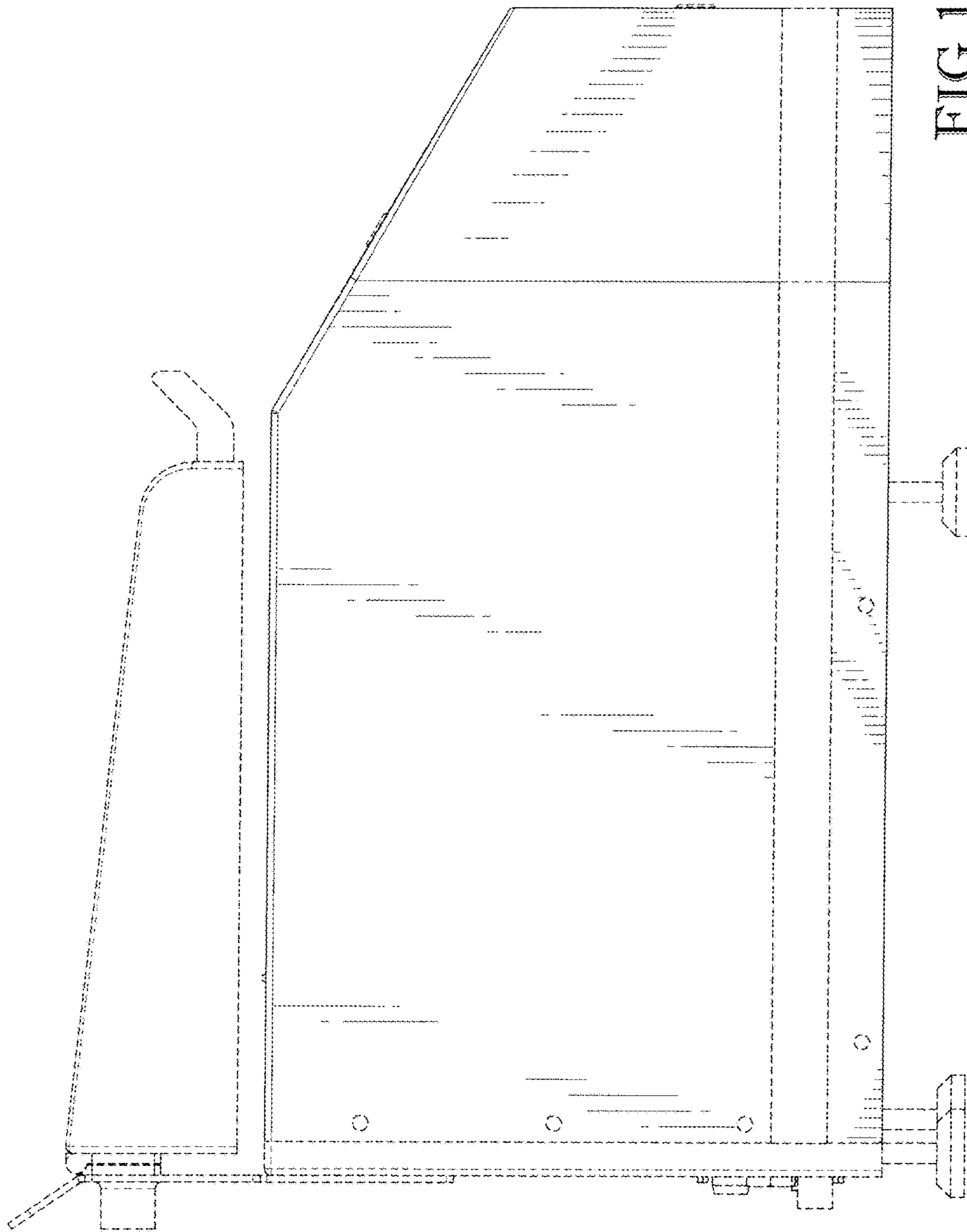


FIG. 13

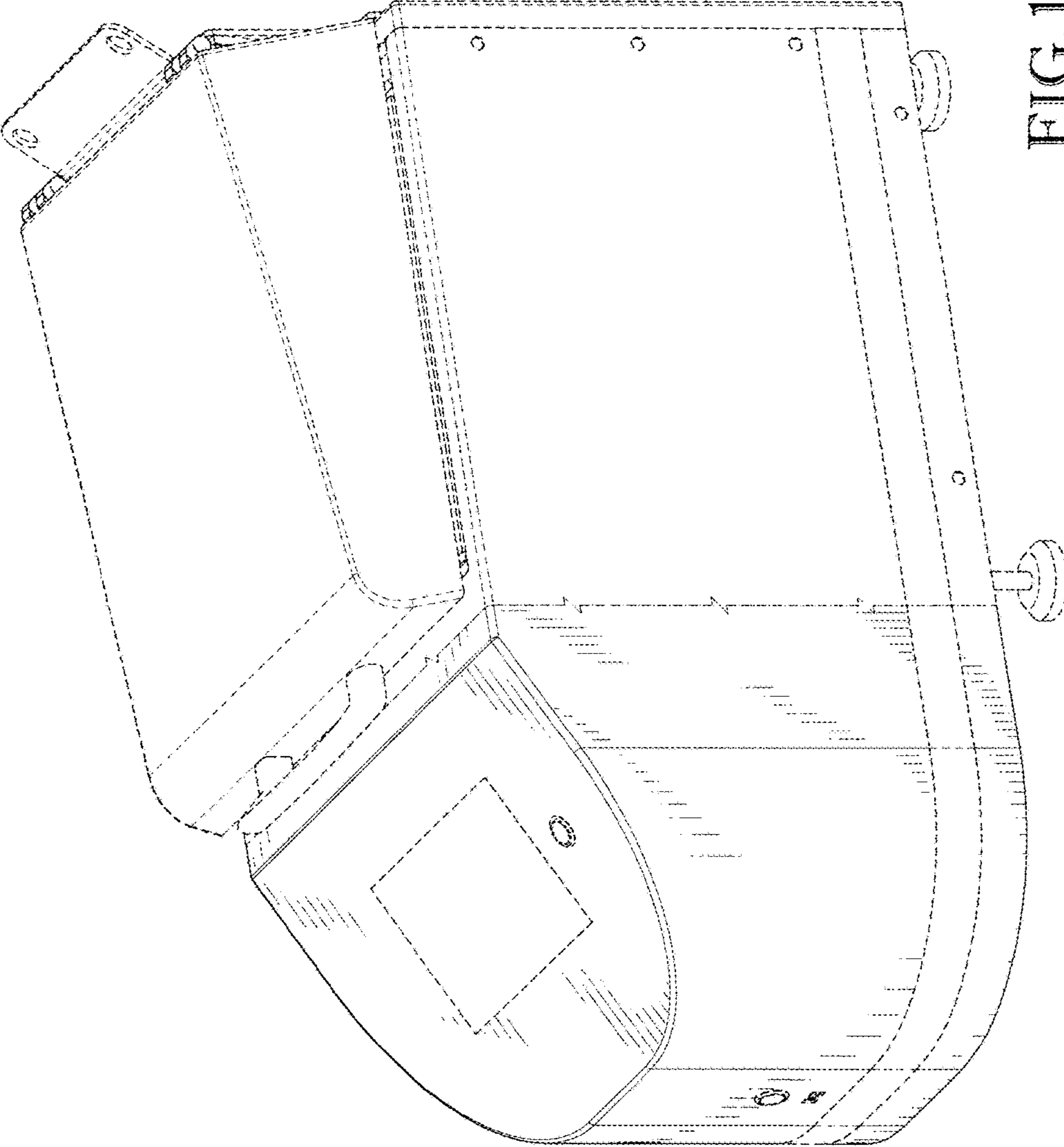


FIG. 14

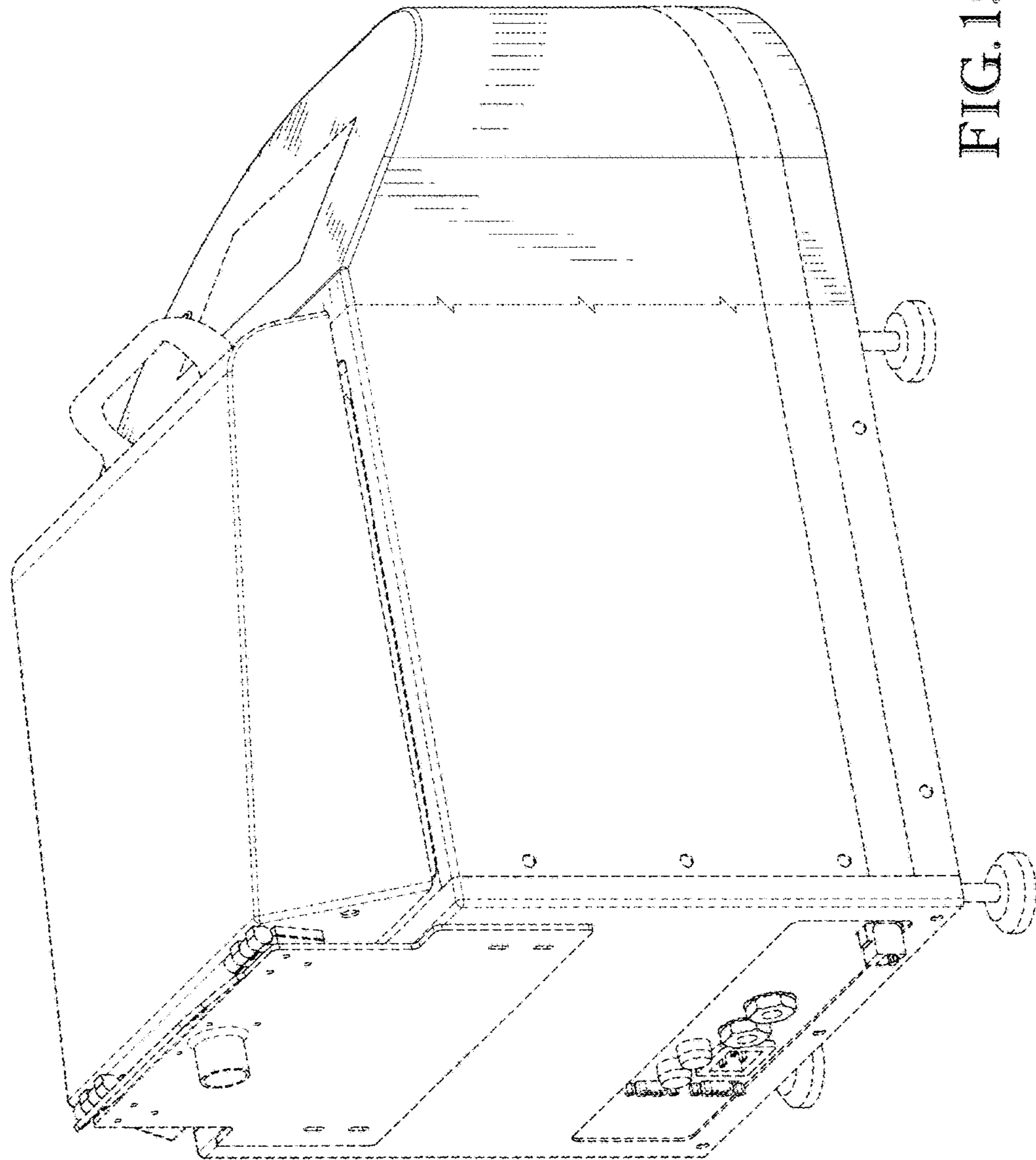


FIG. 15

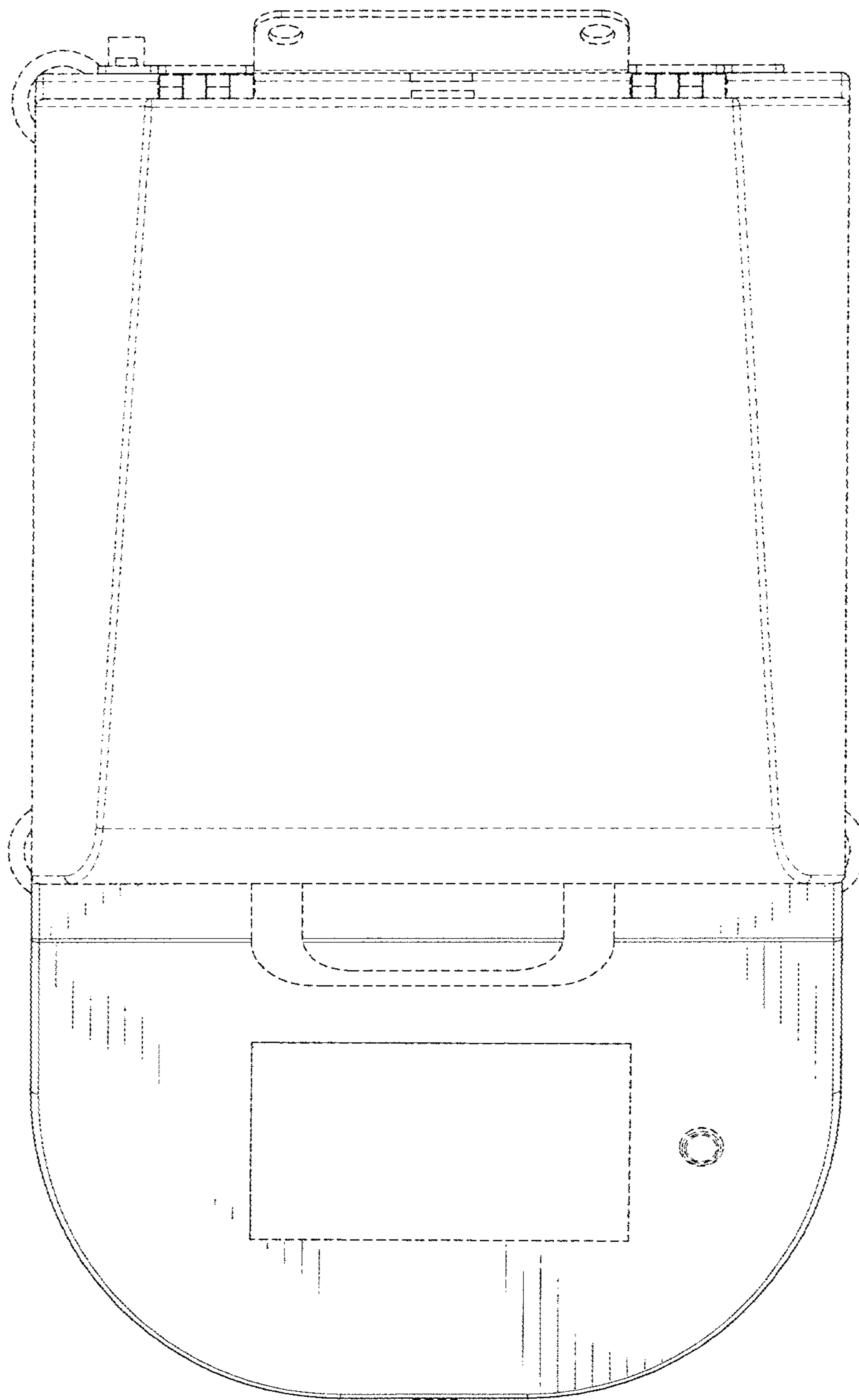


FIG. 16

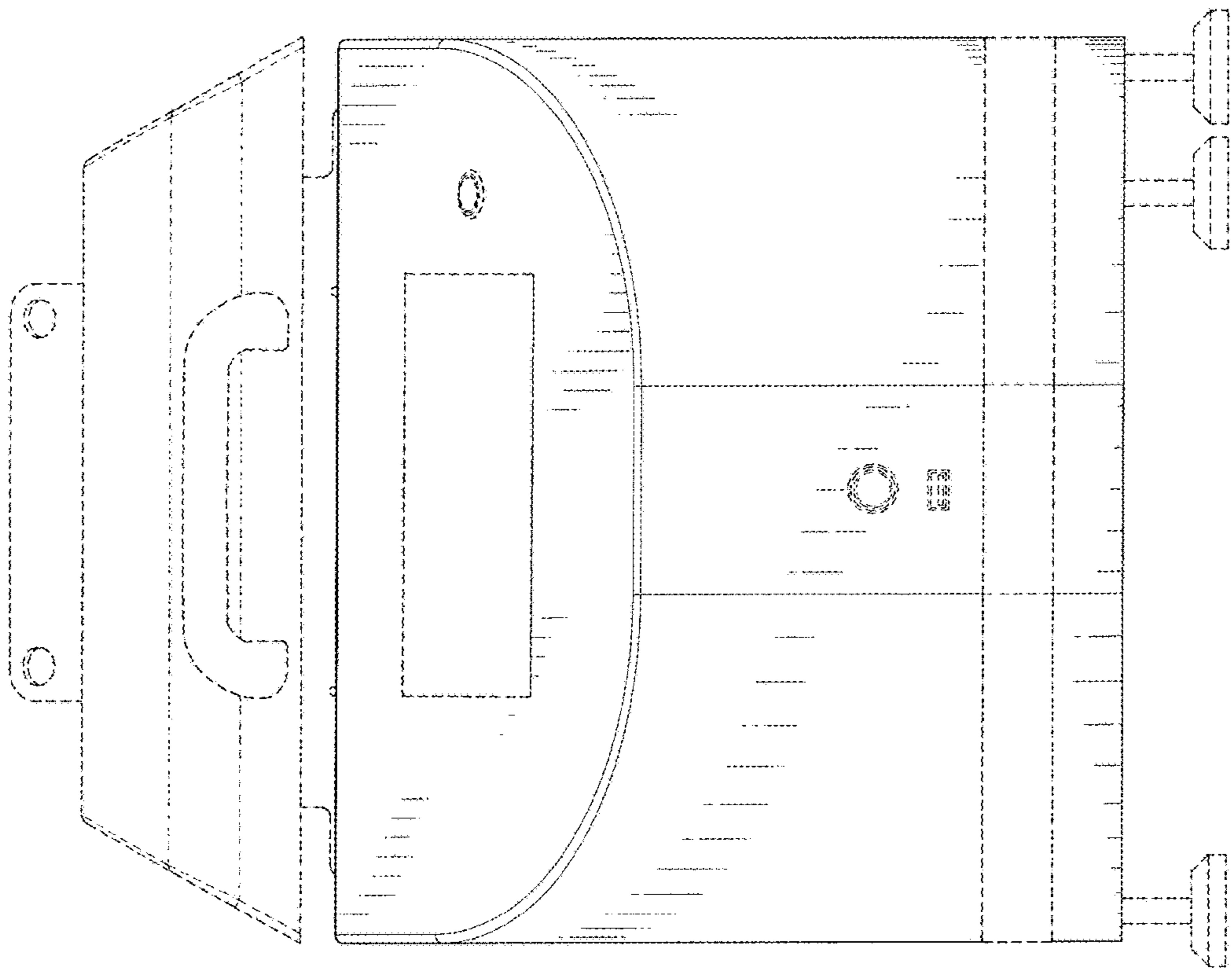


FIG. 17

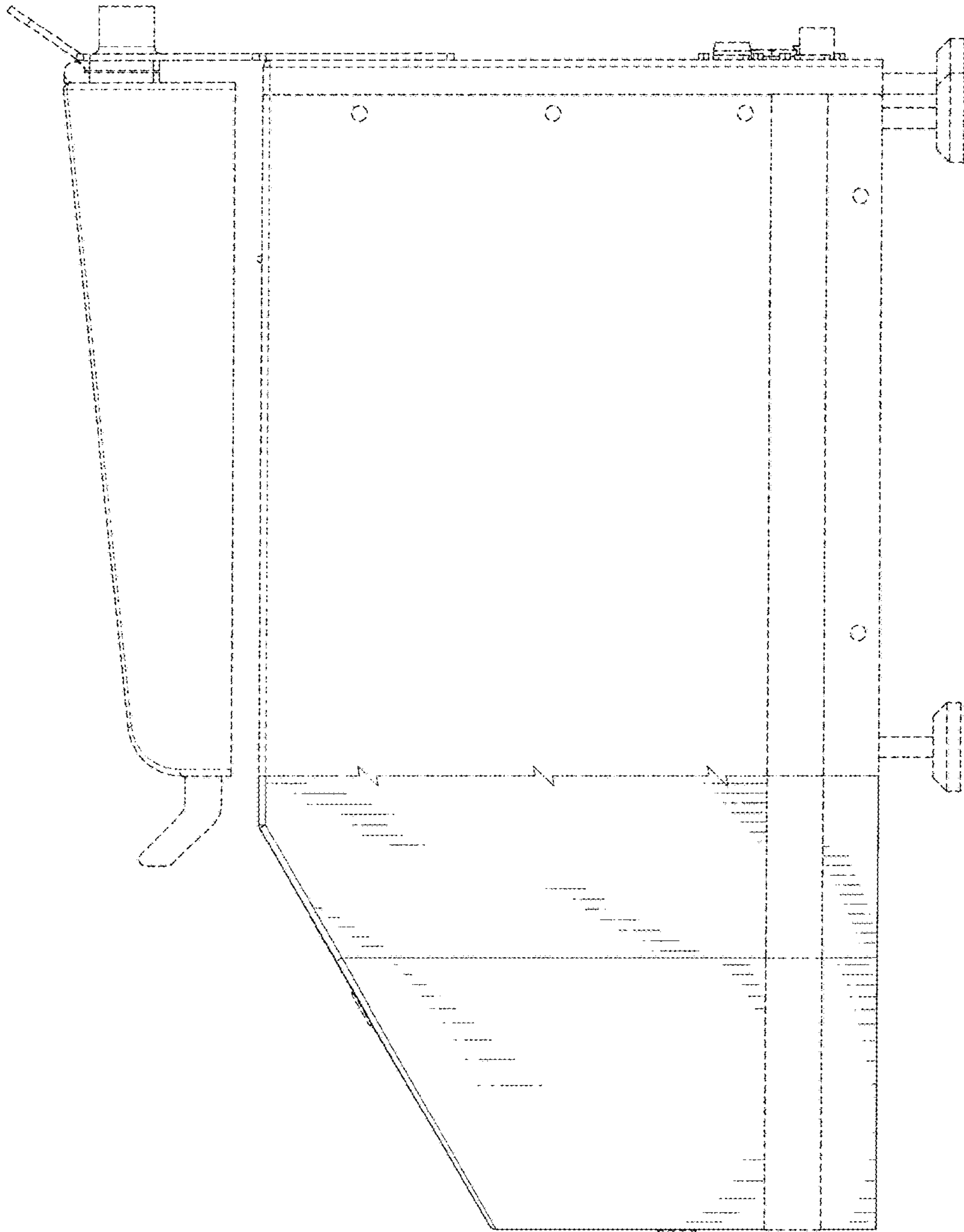


FIG. 18

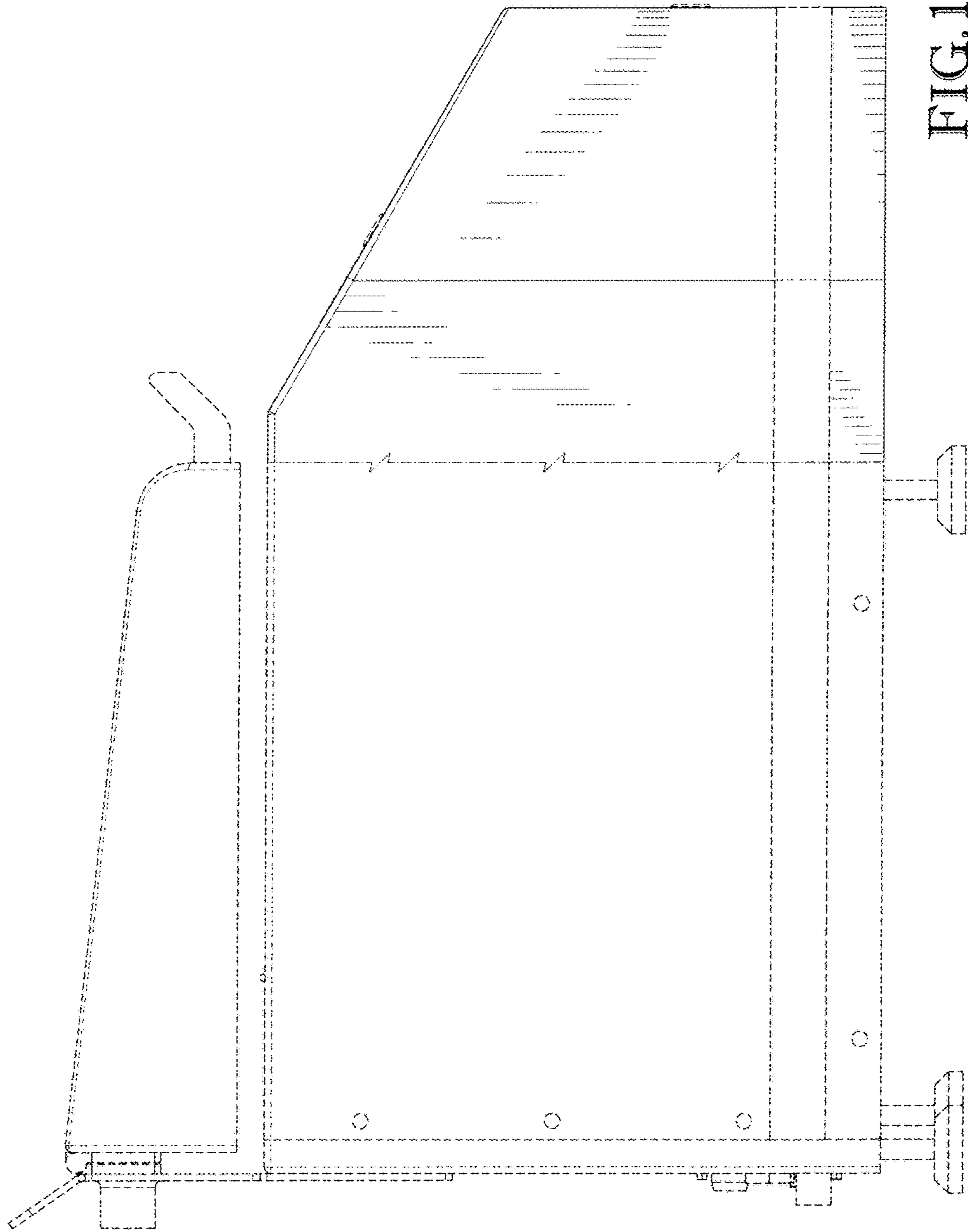


FIG. 19