



US00D785056S

(12) **United States Design Patent** (10) **Patent No.:** **US D785,056 S**  
**Lee et al.** (45) **Date of Patent:** **\*\* Apr. 25, 2017**

(54) **CAN DISPENSER FOR REFRIGERATOR**

FOREIGN PATENT DOCUMENTS

(71) Applicant: **SAMSUNG ELECTRONICS CO., LTD.**, Suwon-si (KR)

JP 1357617 4/2009  
KR 300291026 1/2002

(72) Inventors: **Choongeun Lee**, Seoul (KR); **Jangwon Kim**, Seoul (KR); **Junkyo Lee**, Seongnam-si (KR)

OTHER PUBLICATIONS

Dial Beverage Can Dispenser 7.3" X 6.5" X 16.7" White Bulk, (Copyright 1996-2016), pp. 1-6, Retrieved from the Internet Feb. 19, 2016, <URL:http://www.amazon.com/Dial-Beverage-Dispenser-16-7-White/dp/B000IF6SQM>.

(73) Assignee: **SAMSUNG ELECTRONICS CO., LTD.**, Gyeonggi-Do (KR)

(Continued)

(\*\*) Term: **15 Years**

*Primary Examiner* — Ian Simmons

(21) Appl. No.: **29/555,364**

*Assistant Examiner* — Khawaja Anwar

(22) Filed: **Feb. 21, 2016**

(74) *Attorney, Agent, or Firm* — Cantor Colburn, LLP

(30) **Foreign Application Priority Data**

Aug. 21, 2015 (KR) ..... 30-2015-0042236

(51) **LOC (10) Cl.** ..... **15-07**

(52) **U.S. Cl.**  
USPC ..... **D15/89**

(58) **Field of Classification Search**  
USPC ..... D15/79-91  
CPC ..... F25D 11/00; F25D 11/02; F25D 13/00;  
F25D 19/00; F25D 21/00; F25D 23/00;  
F25D 2321/1441; F25D 2325/021; F25D  
2325/022; F25D 2325/023  
See application file for complete search history.

(57) **CLAIM**

The ornamental design for a can dispenser for refrigerator, as shown and described.

(56) **References Cited**

U.S. PATENT DOCUMENTS

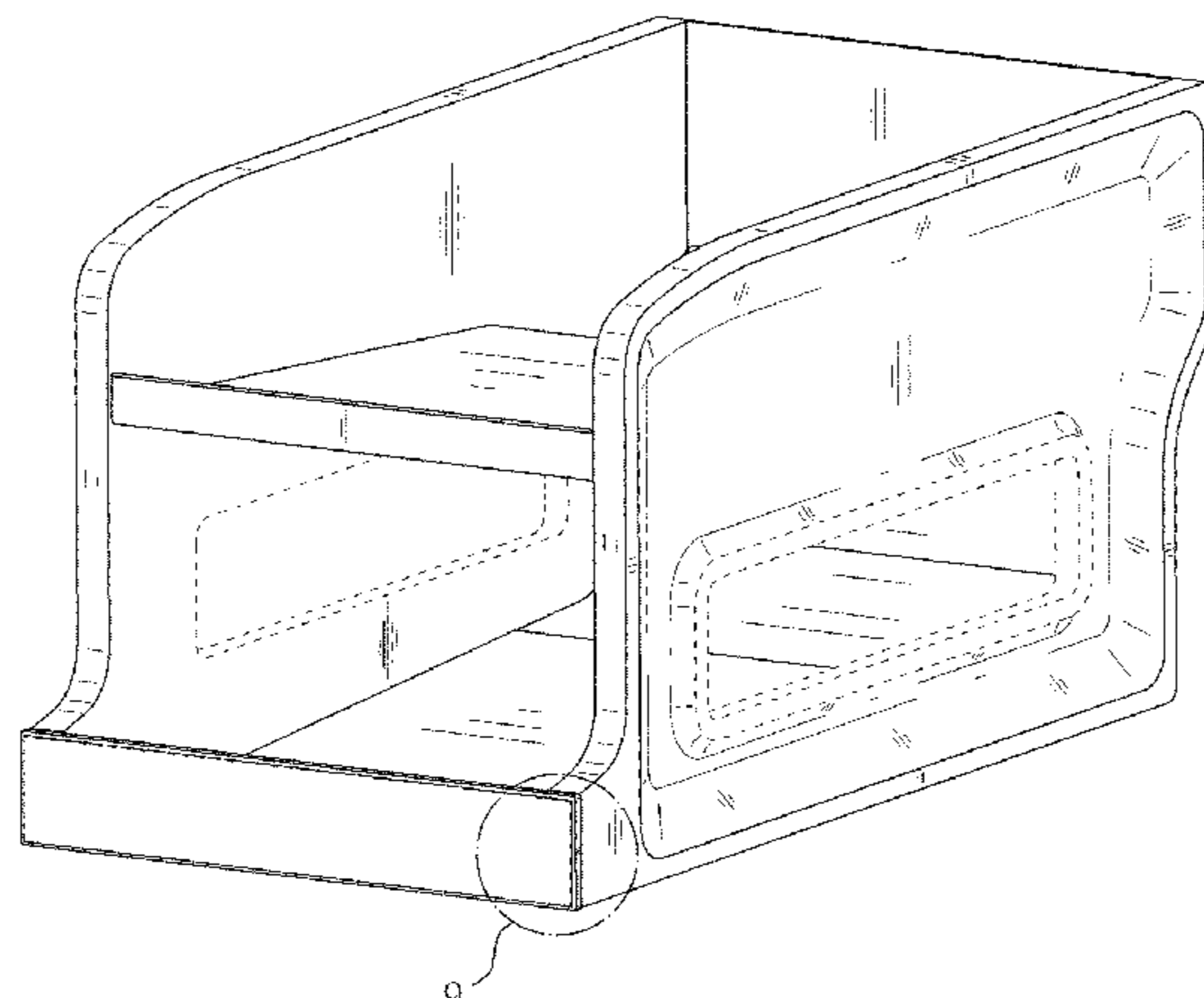
D513,757 S \* 1/2006 Grobleben ..... D15/89  
D515,114 S \* 2/2006 Grobleben ..... D15/89  
D649,985 S \* 12/2011 Jeon ..... D15/89  
D676,468 S \* 2/2013 Lee ..... D15/89  
D695,796 S \* 12/2013 Lee ..... D15/89  
D710,404 S \* 8/2014 Park ..... D15/89  
D716,850 S \* 11/2014 Seo ..... D15/89  
D724,118 S \* 3/2015 Kim ..... D15/89  
D745,068 S \* 12/2015 Jeon ..... D15/89

(Continued)

**DESCRIPTION**

FIG. 1 is a perspective view of a can dispenser for refrigerator, showing our new design;  
FIG. 2 is a front view thereof;  
FIG. 3 is a rear view thereof;  
FIG. 4 is a side view thereof;  
FIG. 5 is another side view thereof;  
FIG. 6 is a top view thereof;  
FIG. 7 is a bottom view thereof;  
FIG. 8 is a cross-sectional view taken along line 8-8 of FIG. 6; and,  
FIG. 9 is an enlarged view of the encircled portion 9 of FIG. 1.  
The broken lines illustrating portions of the can dispenser for refrigerator form no part of the claimed design.  
The dot-dash broken lines encircling enlargement portions of the design form no part of the claimed design.

**1 Claim, 9 Drawing Sheets**



(56)

**References Cited**

U.S. PATENT DOCUMENTS

D745,581 S \* 12/2015 Jeon ..... D15/89  
D747,373 S \* 1/2016 Lee ..... D15/89  
D754,218 S \* 4/2016 Jeon ..... D15/89

OTHER PUBLICATIONS

PRK Products Inc. Bottle Organizer, White, (Copyright 1996-2016),  
pp. 1-4, Retrieved from the Internet Feb. 19, 2016, <URL:[http://www.amazon.com/Bottle-Organizer-White-PRK-Products/dp/B00FDWGT5U/ref=pd\\_sim\\_75\\_5?ie=UTF8&refRID=1M17D3260C63H04NXP1W](http://www.amazon.com/Bottle-Organizer-White-PRK-Products/dp/B00FDWGT5U/ref=pd_sim_75_5?ie=UTF8&refRID=1M17D3260C63H04NXP1W)>.

\* cited by examiner

FIG. 1

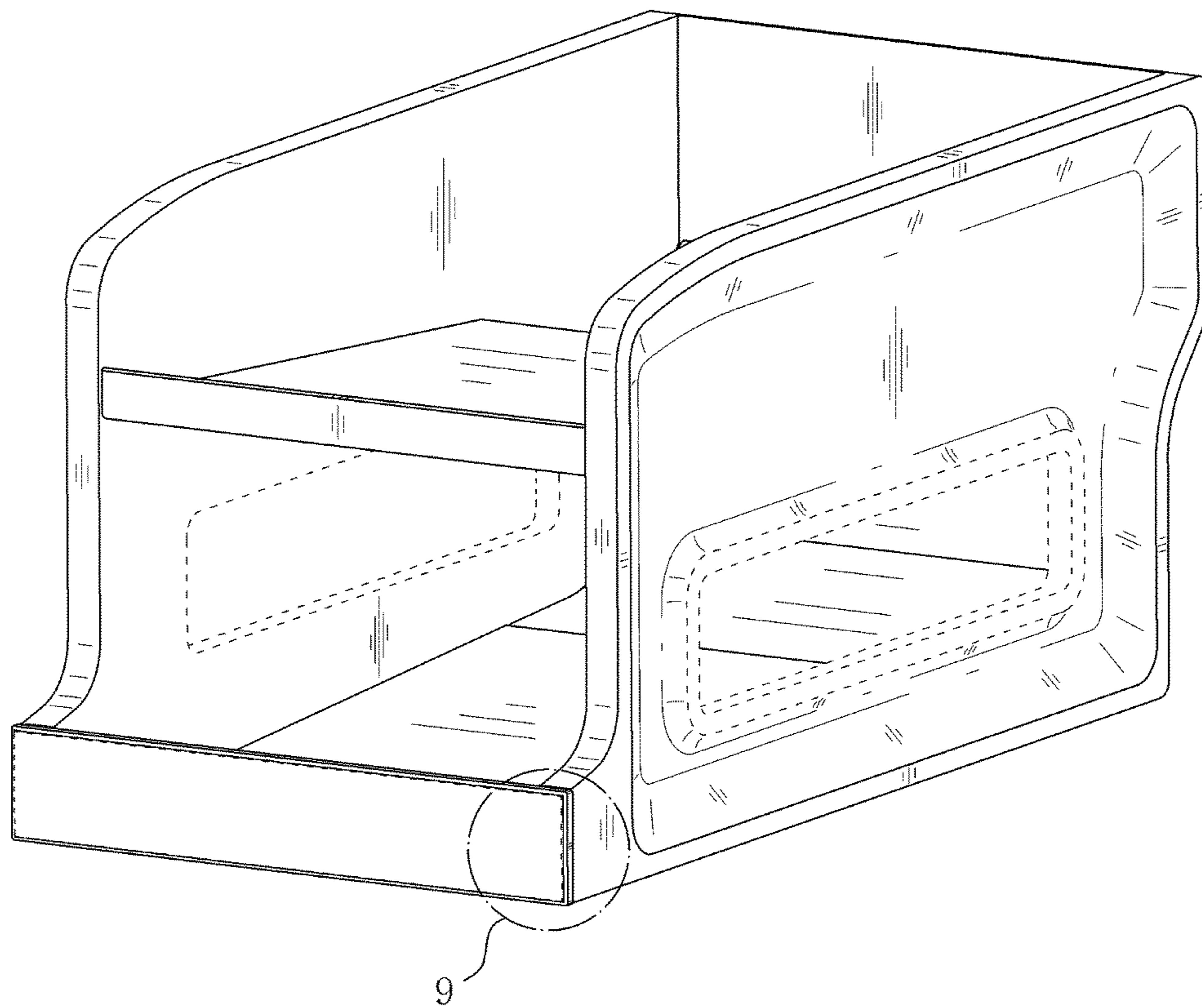


FIG. 2

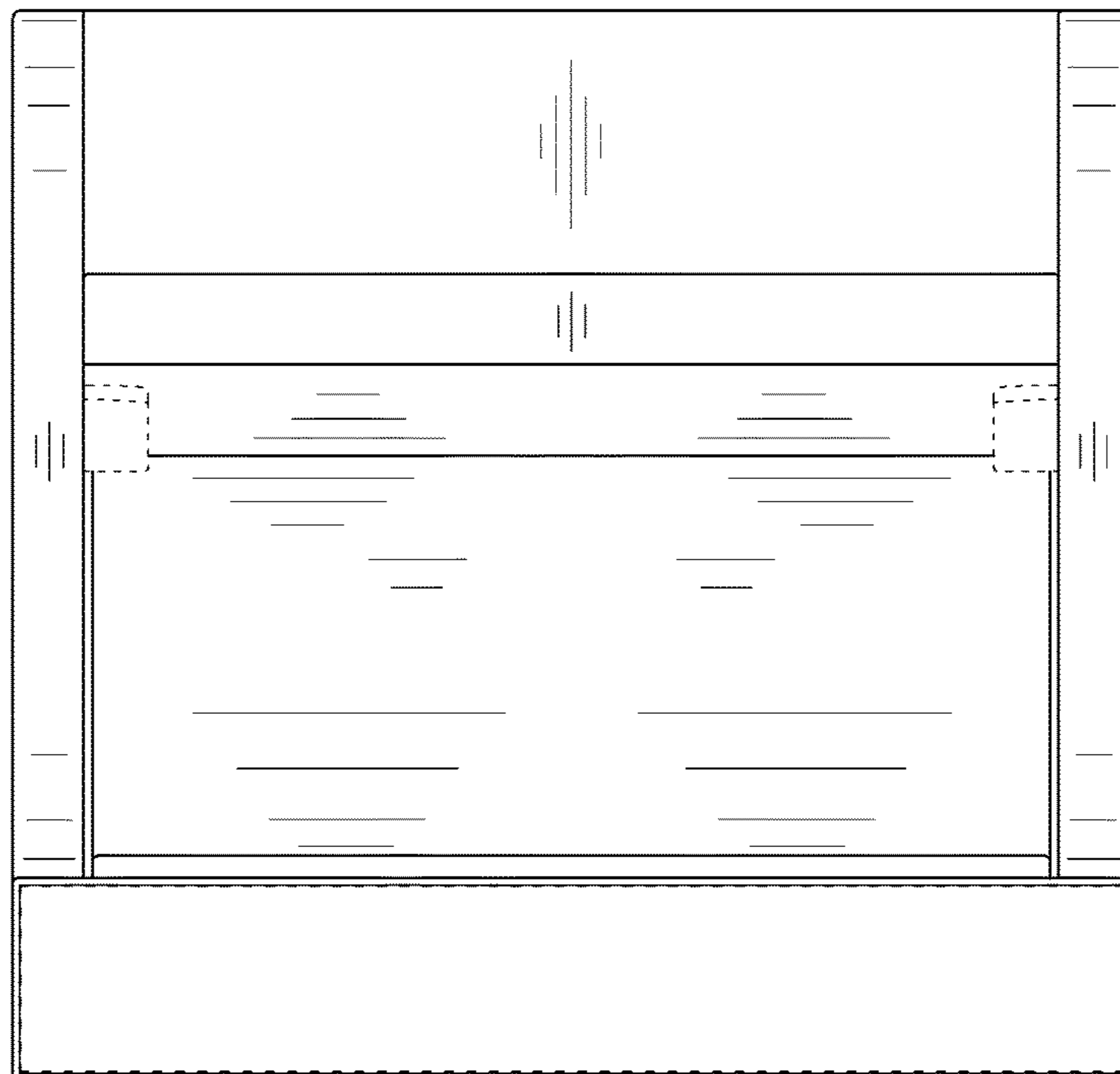


FIG. 3

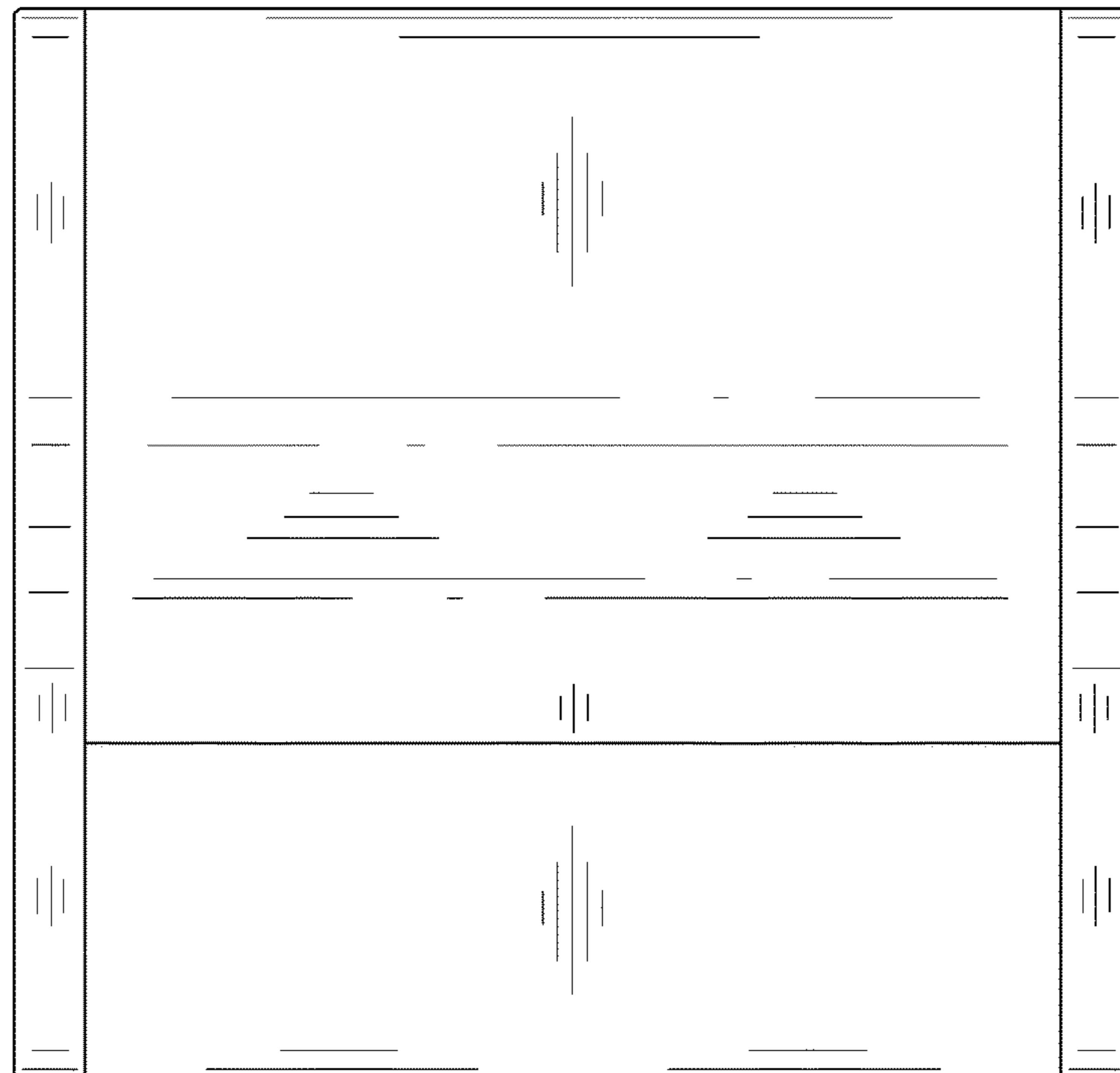


FIG. 4

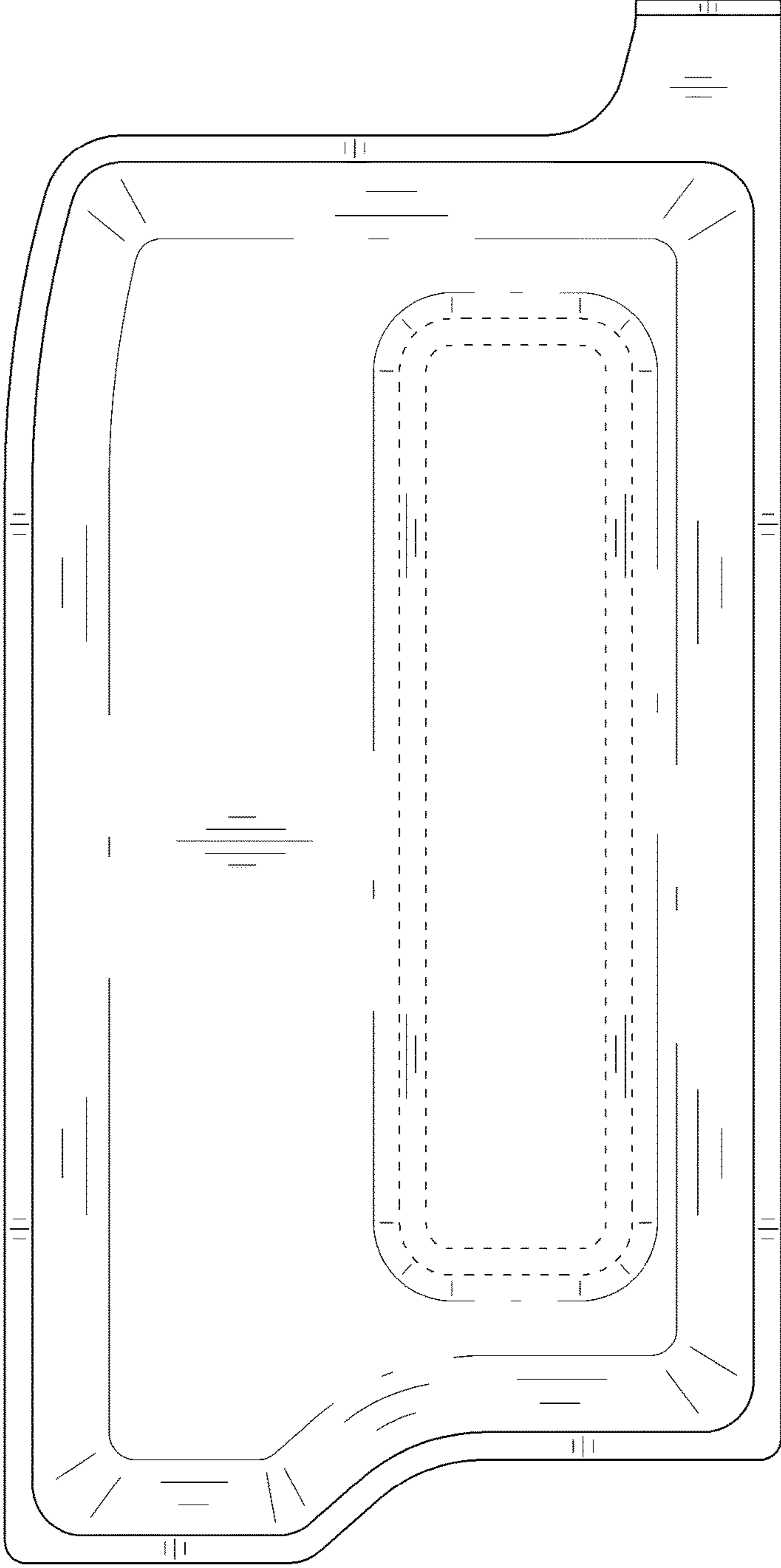


FIG. 5

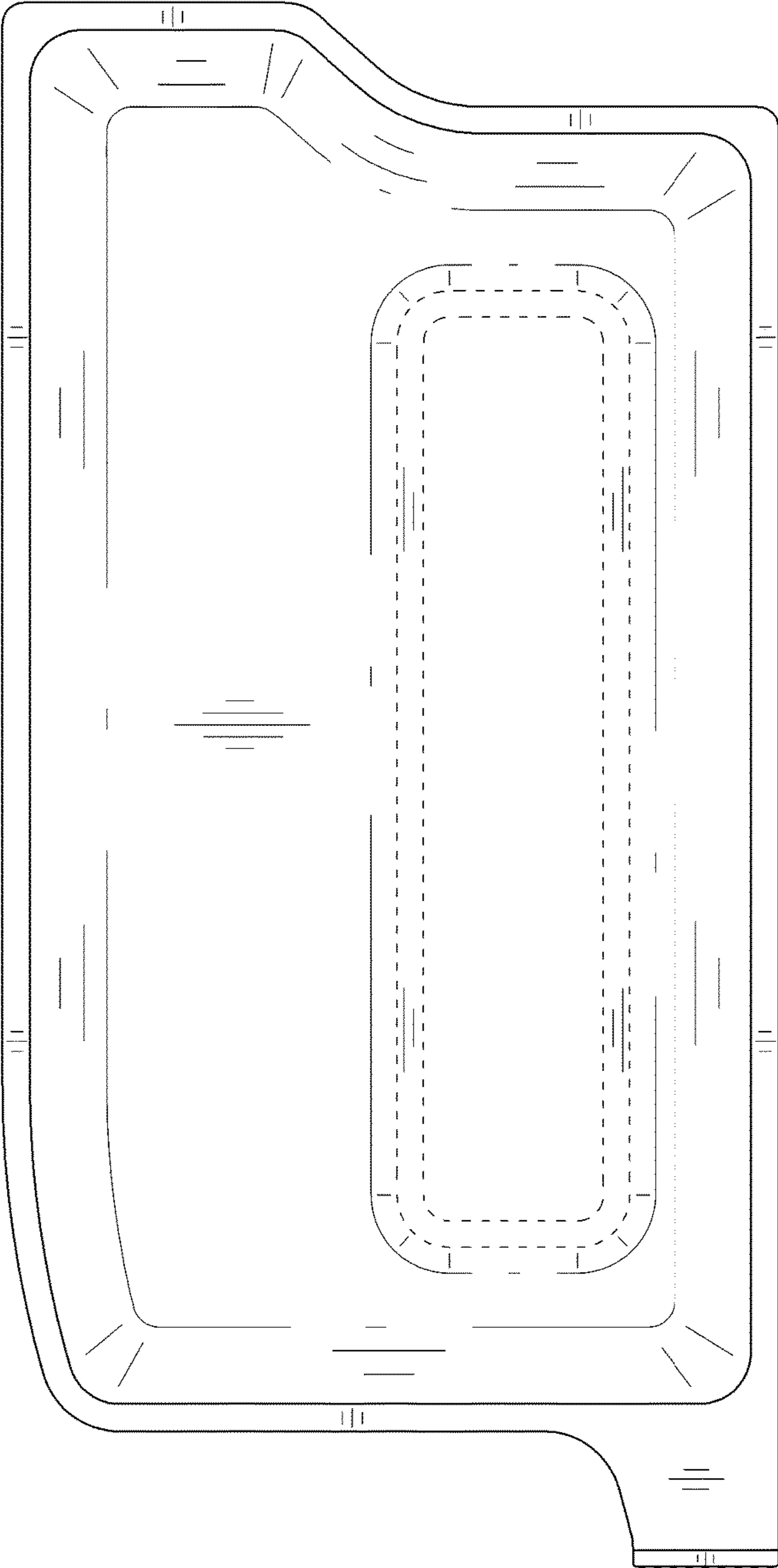


FIG. 6

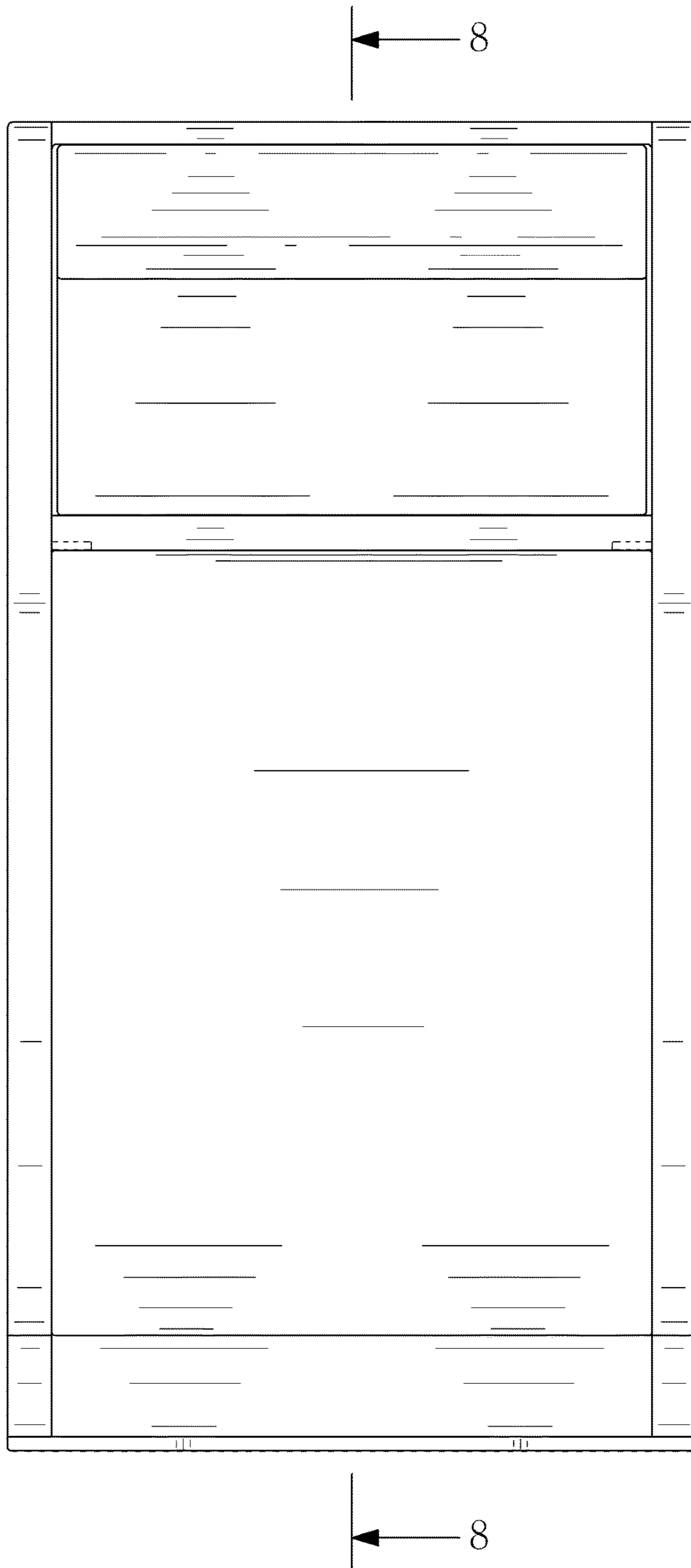




FIG. 7

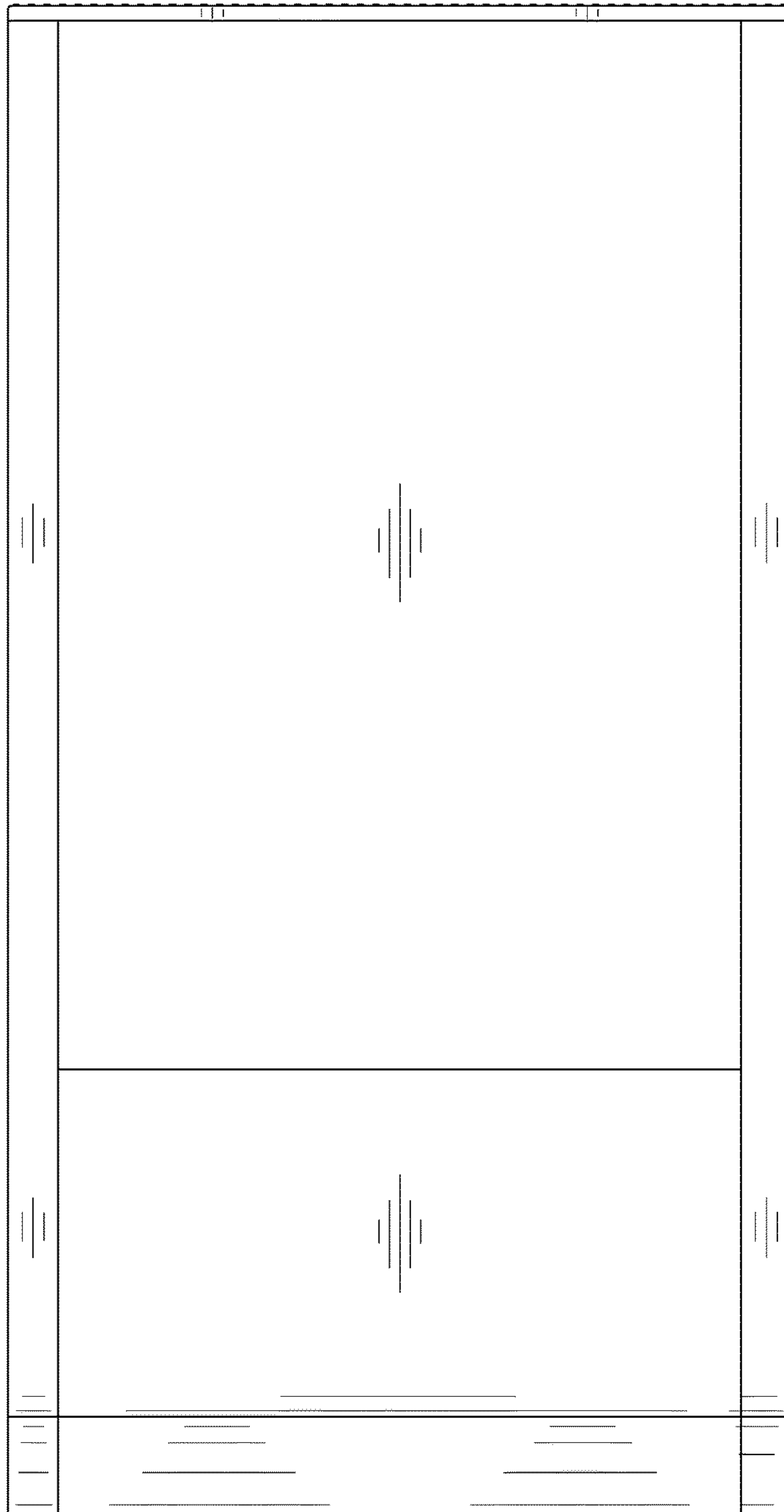


FIG. 8

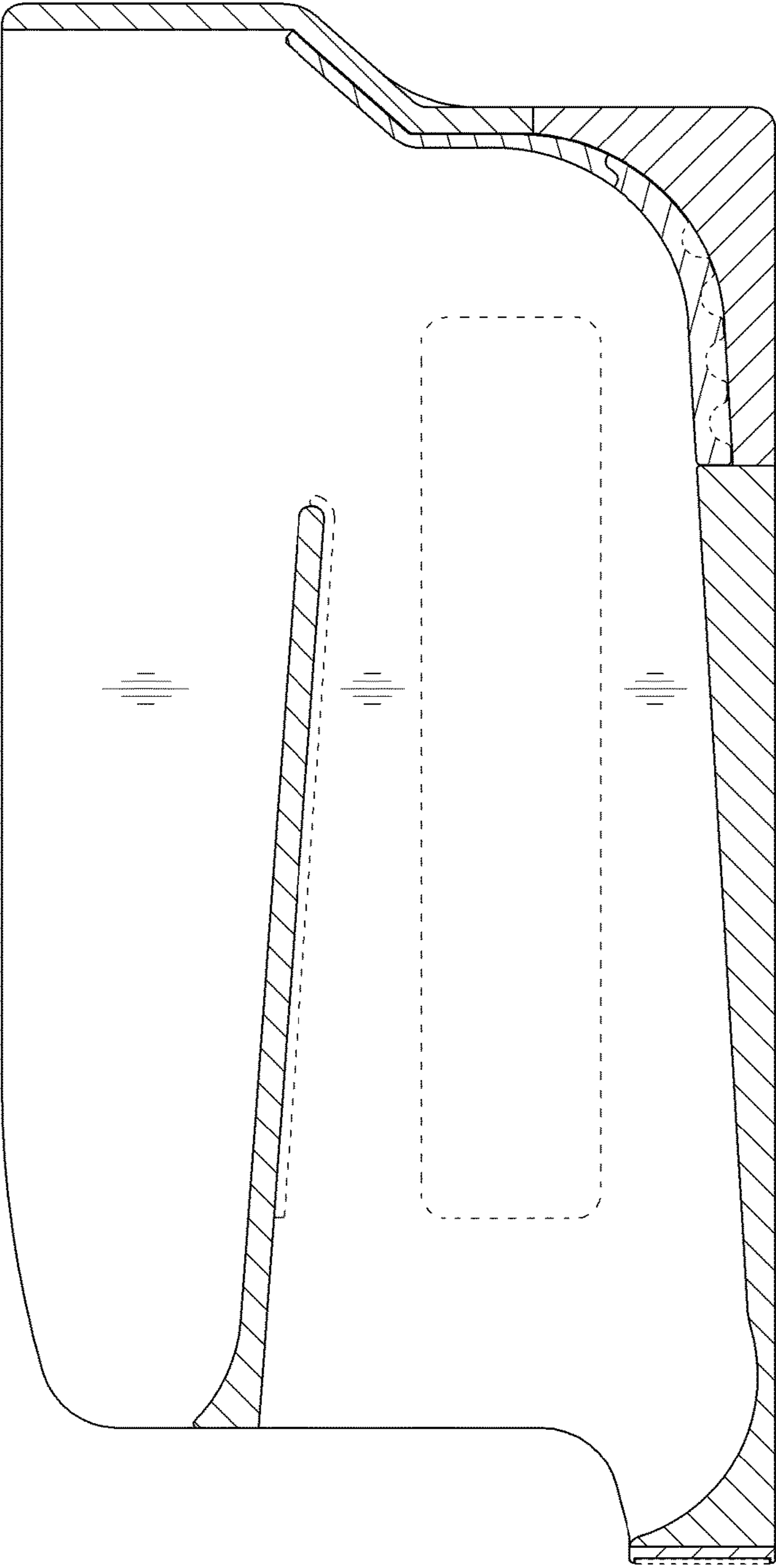


FIG. 9

