



US00D785055S

(12) **United States Design Patent**  
**Kim et al.**

(10) **Patent No.:** **US D785,055 S**

(45) **Date of Patent:** **\*\* Apr. 25, 2017**

(54) **REFRIGERATOR**

2317/0664; F25D 2321/147; F25D  
2323/02; F25D 2323/023

See application file for complete search history.

(71) Applicant: **Samsung Electronics Co., Ltd.**,  
Suwon-si (KR)

(56) **References Cited**

(72) Inventors: **Aeryun Kim**, Ansan-si (KR); **Seon-Ju Lee**, Seoul (KR); **Jaemin Lee**, Incheon (KR); **Junhyeok Choi**, Seongnam-si (KR)

U.S. PATENT DOCUMENTS

D418,845	S	*	1/2000	Jackovin	.....	D15/85
6,019,447	A	*	2/2000	Jackovin	.....	A47B 67/04 312/401
D575,806	S	*	8/2008	Im	.....	D15/85
D700,222	S	*	2/2014	Sin	.....	D15/89
D709,930	S	*	7/2014	Park	.....	D15/91
D709,931	S	*	7/2014	Park	.....	D15/91
D714,848	S	*	10/2014	Park	.....	D15/91

(Continued)

(73) Assignee: **Samsung Electronics Co., Ltd.**,  
Suwon-si (KR)

(\*\*) Term: **15 Years**

FOREIGN PATENT DOCUMENTS

(21) Appl. No.: **29/557,732**

EM	001967050-0005	1/2012
JP	D1090248	11/2000
JP	D1398255	10/2010

(22) Filed: **Mar. 11, 2016**

*Primary Examiner* — Ian Simmons  
*Assistant Examiner* — Khawaja Anwar  
(74) *Attorney, Agent, or Firm* — NSIP Law

(30) **Foreign Application Priority Data**

Sep. 24, 2015 (KR) ..... 30-2015-0048758

(51) **LOC (10) Cl.** ..... **15-07**

(57) **CLAIM**

(52) **U.S. Cl.**

We claim the ornamental design for a refrigerator, as shown and described.

USPC ..... **D15/85**

**DESCRIPTION**

(58) **Field of Classification Search**

USPC ..... D15/79-91

CPC ..... F25D 25/025; F25D 23/028; F25D

2323/024; F25D 23/00; F25D 23/02;

F25D 2323/021; F25D 23/065; F25D

11/00; F25D 2201/14; F25D 23/021;

F25D 23/025; F25D 23/04; F25D 27/00;

F25D 23/062; F25D 23/067; F25D

2400/18; F25D 23/08; F25D 23/085;

F25D 2500/02; F25D 25/00; F25D

25/005; F25D 25/022; F25D 25/024;

F25D 17/047; F25D 2317/041; F25D

2317/04131; F25D 2317/043; F25D

FIG. 1 is a front perspective view of a refrigerator showing our new design;

FIG. 2 is a front view thereof;

FIG. 3 is a rear view thereof;

FIG. 4 is a left-side view thereof;

FIG. 5 is a right-side view thereof;

FIG. 6 is a top view thereof;

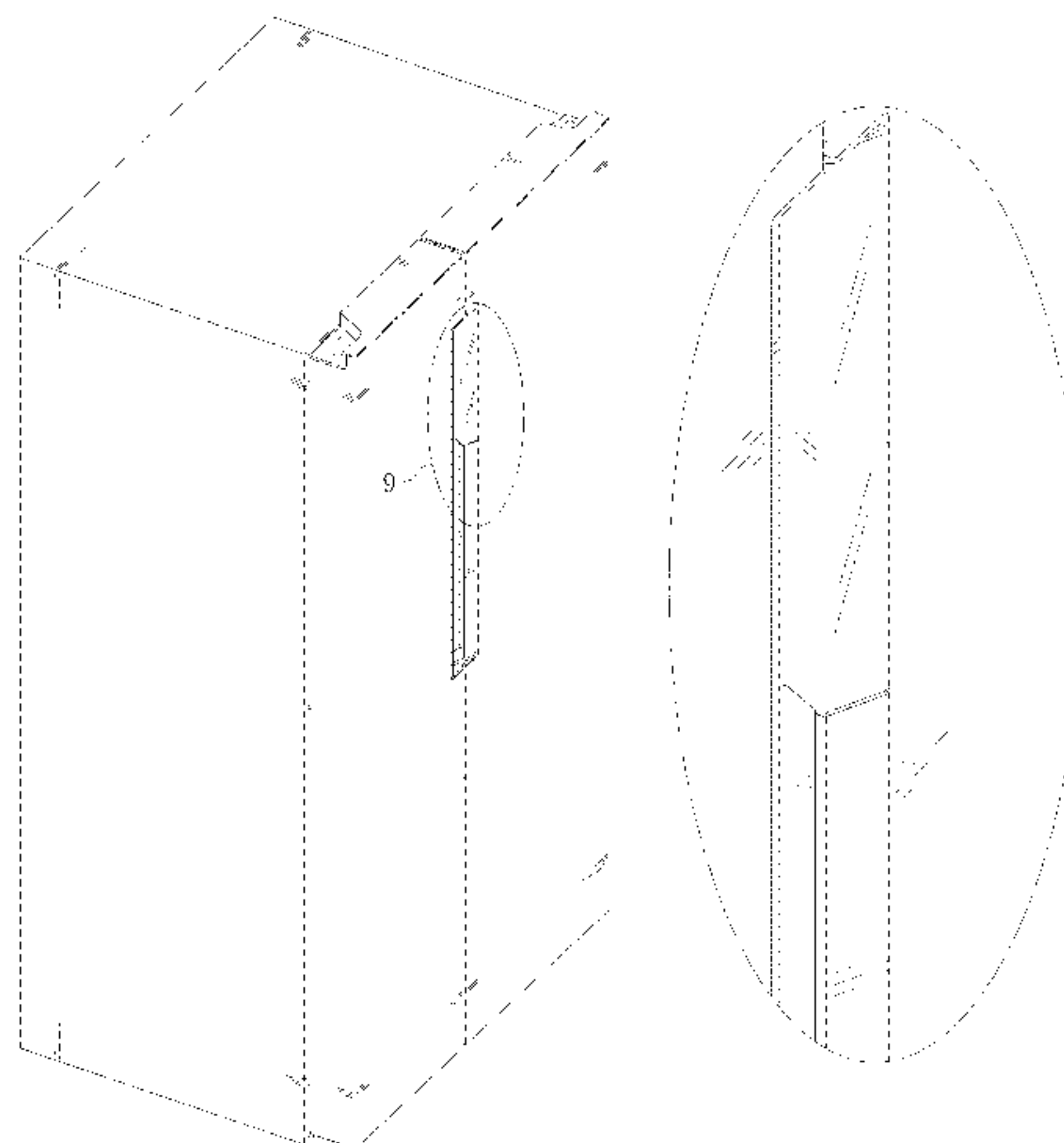
FIG. 7 is a bottom view thereof;

FIG. 8 is another front perspective view thereof; and,

FIG. 9 is an enlarged view of the encircled portion in FIG. 1.

The broken lines in the figures depict environmental subject matter and form no part of the claimed design.

(Continued)



The dot-dash broken lines encircling portions of the claimed design that are illustrated in enlargements form no part of the claimed design.

**1 Claim, 9 Drawing Sheets**

(56) **References Cited**

U.S. PATENT DOCUMENTS

D732,090 S \* 6/2015 Sin ..... D15/89  
D771,163 S \* 11/2016 Park ..... D15/91

\* cited by examiner

FIG. 1

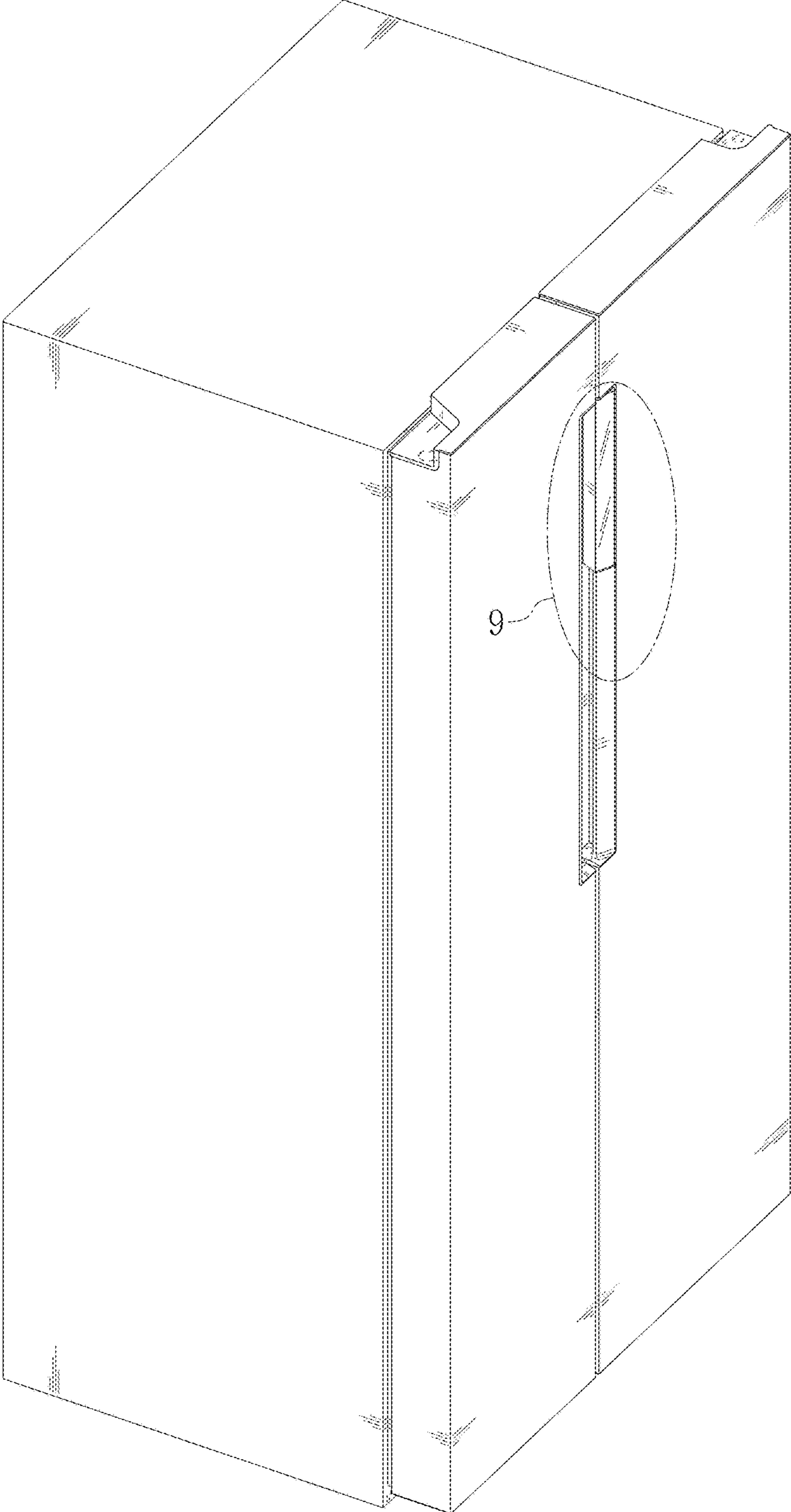


FIG. 2

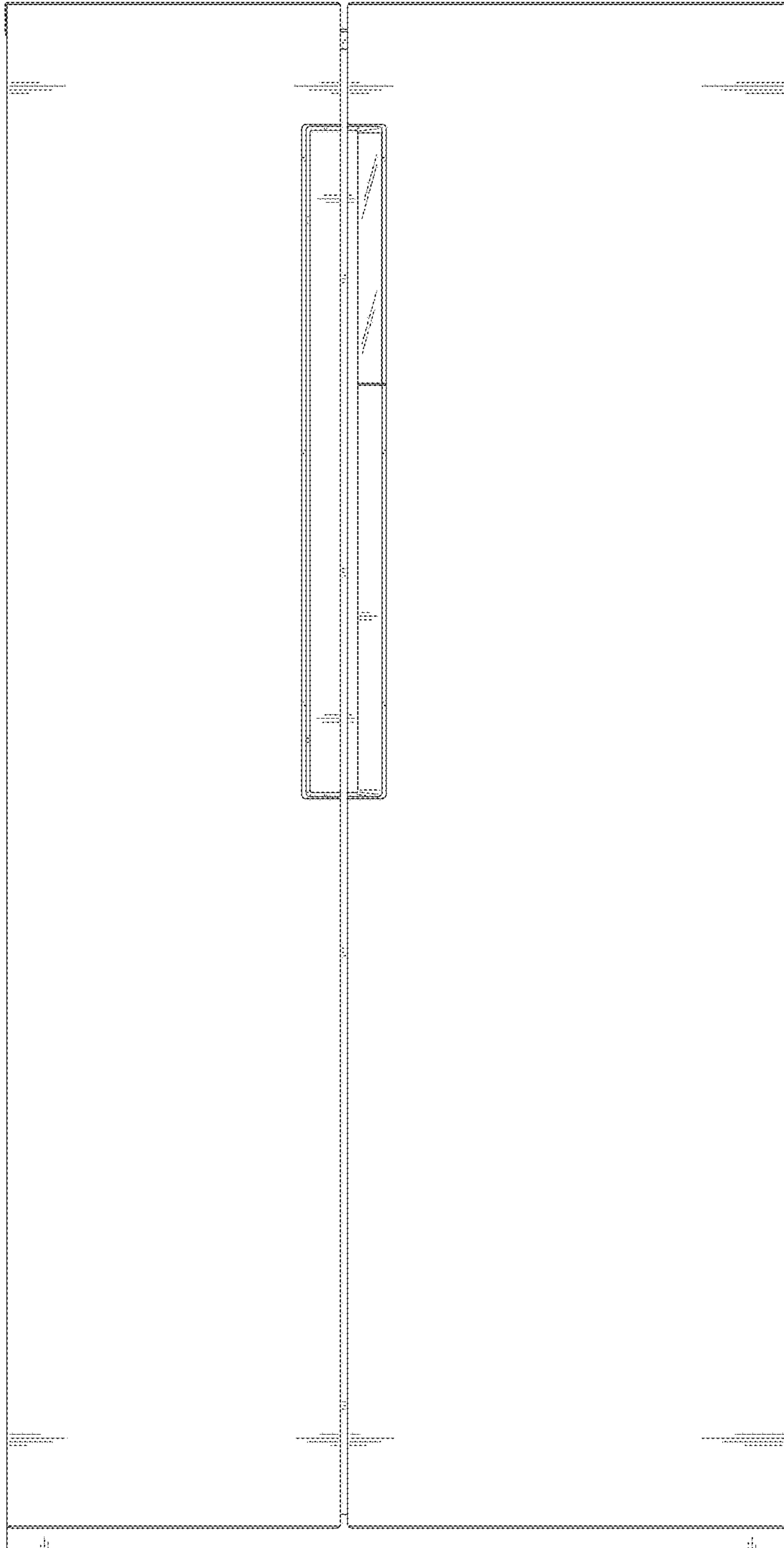


FIG. 3

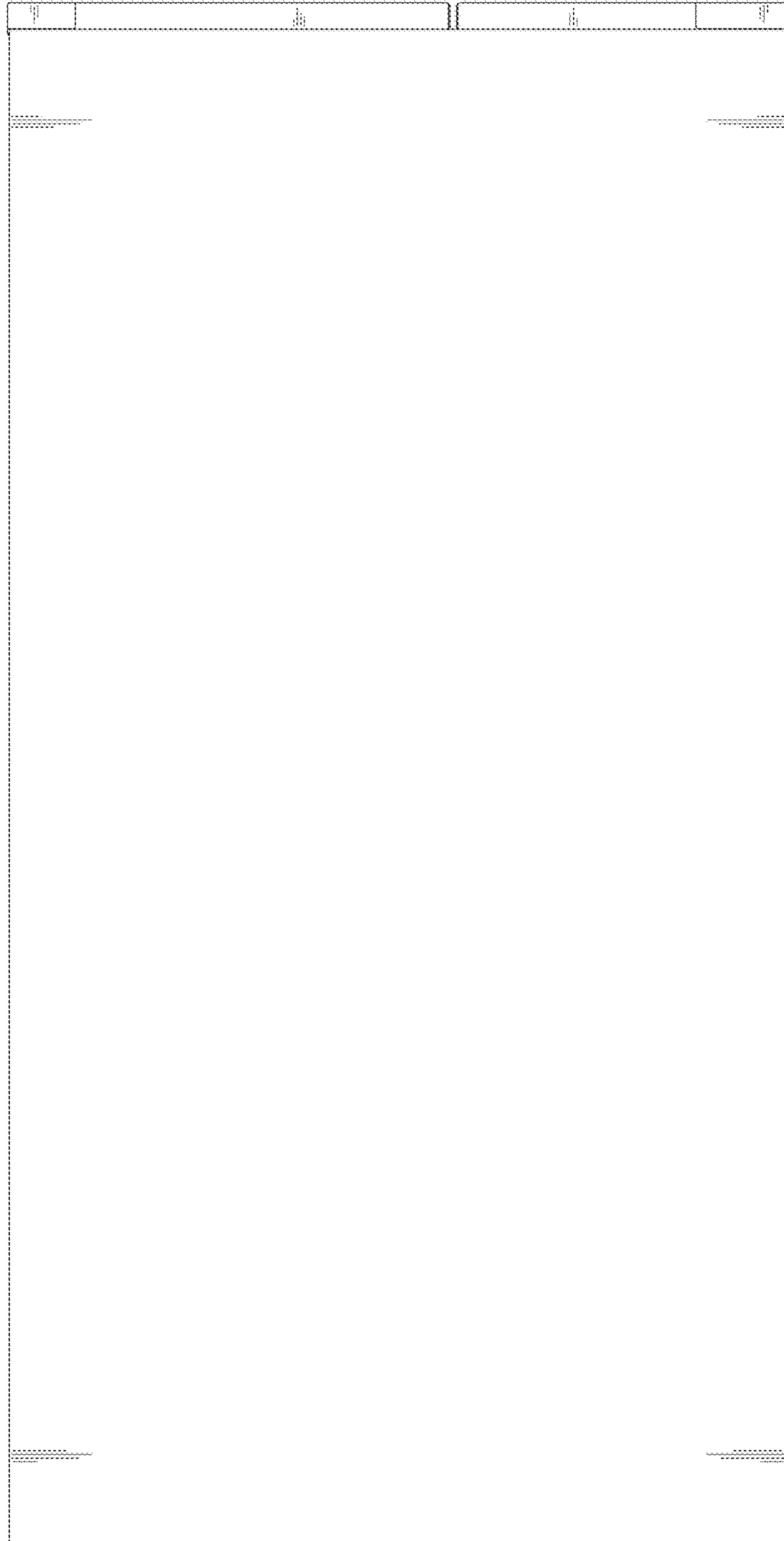


FIG. 4

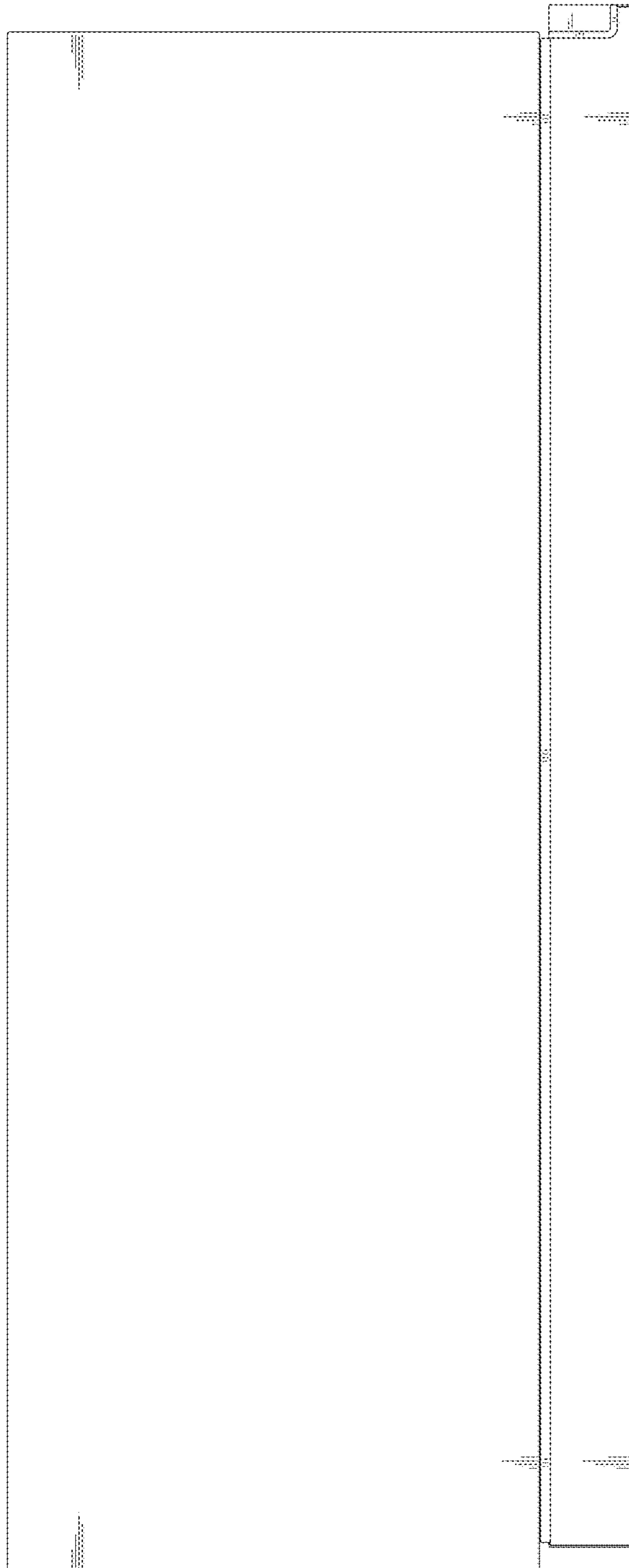


FIG. 5

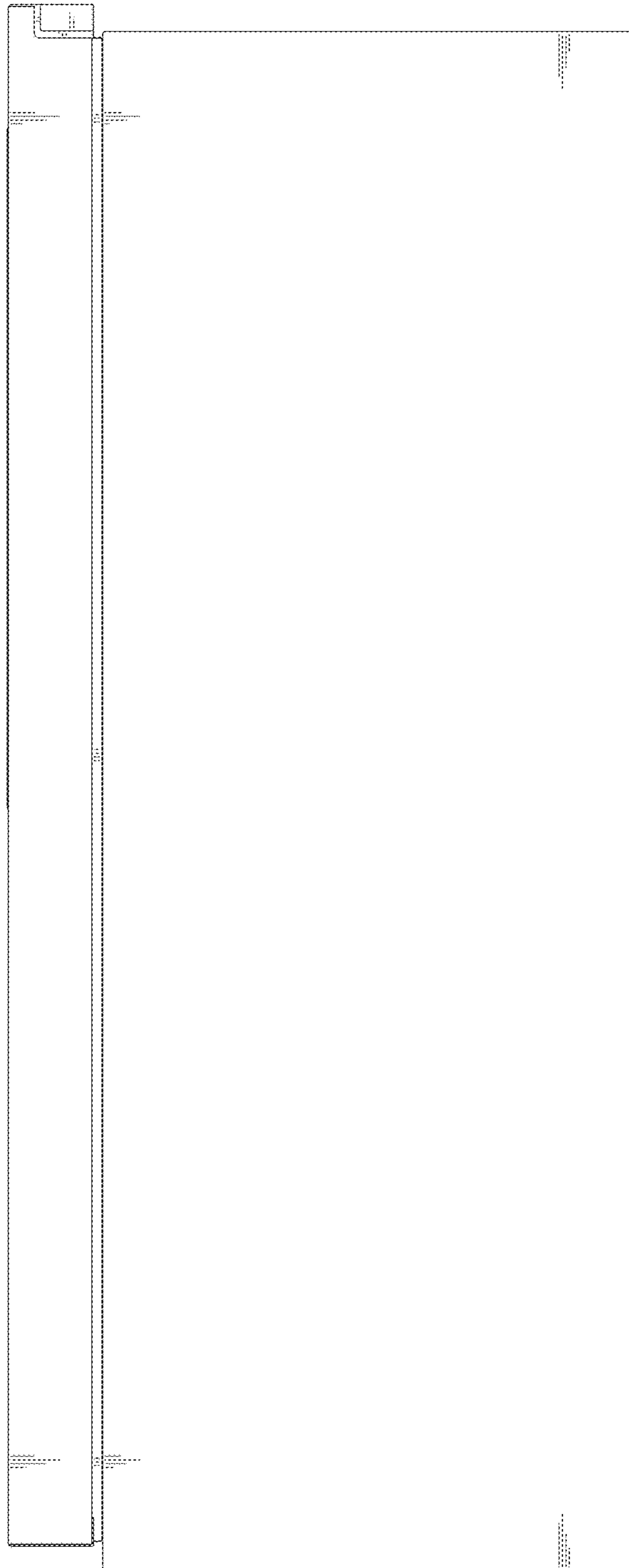


FIG. 6

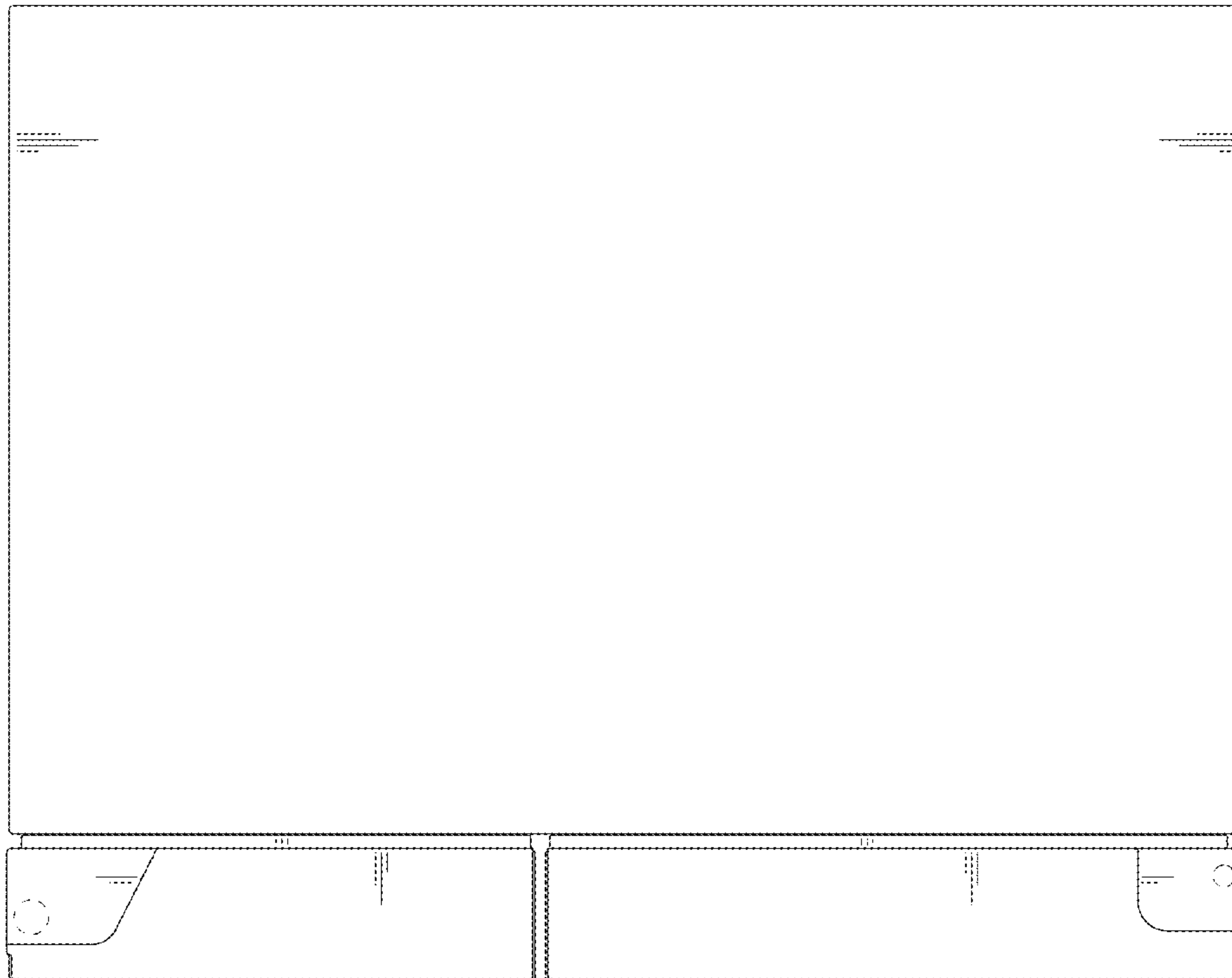




FIG. 7

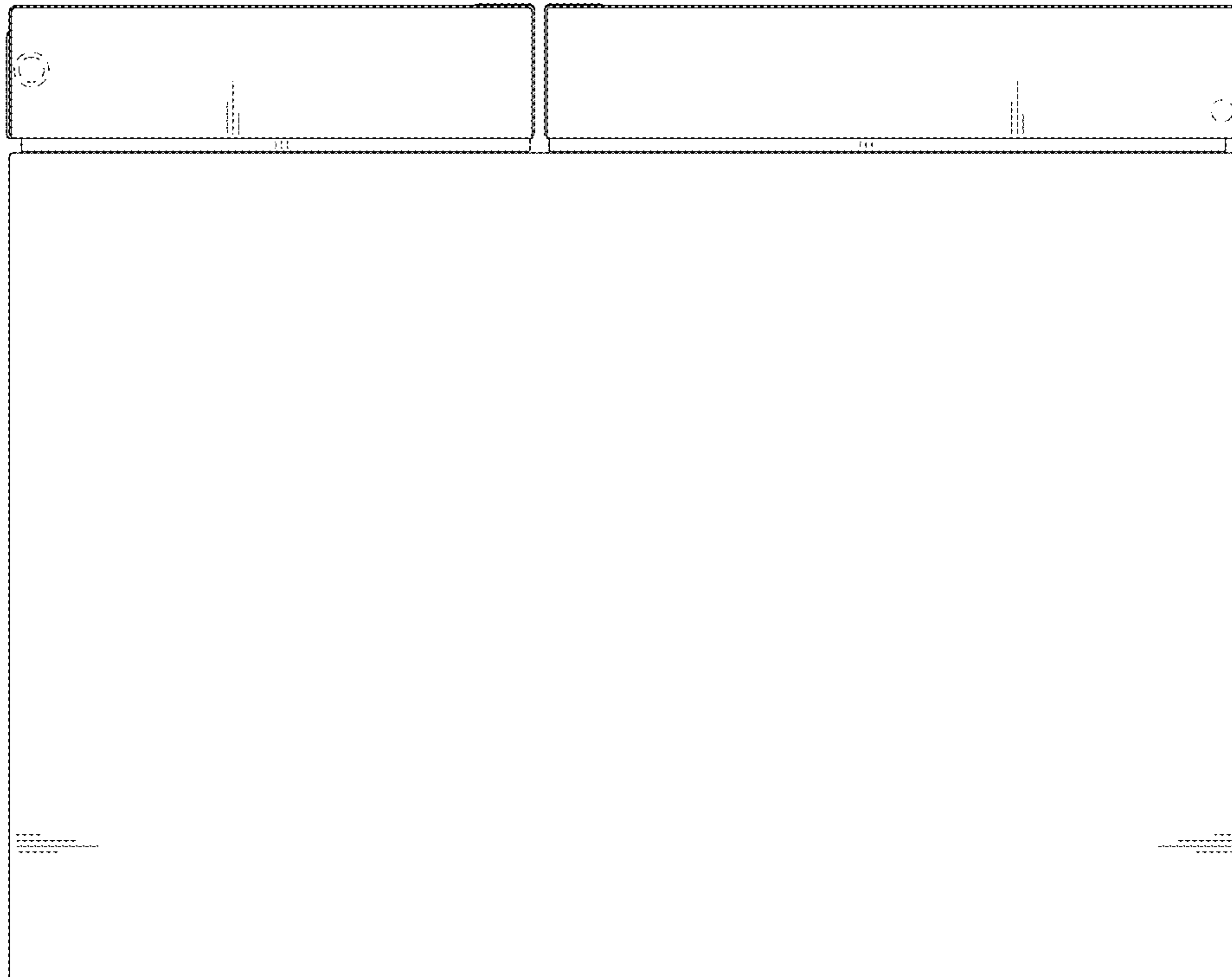


FIG. 8

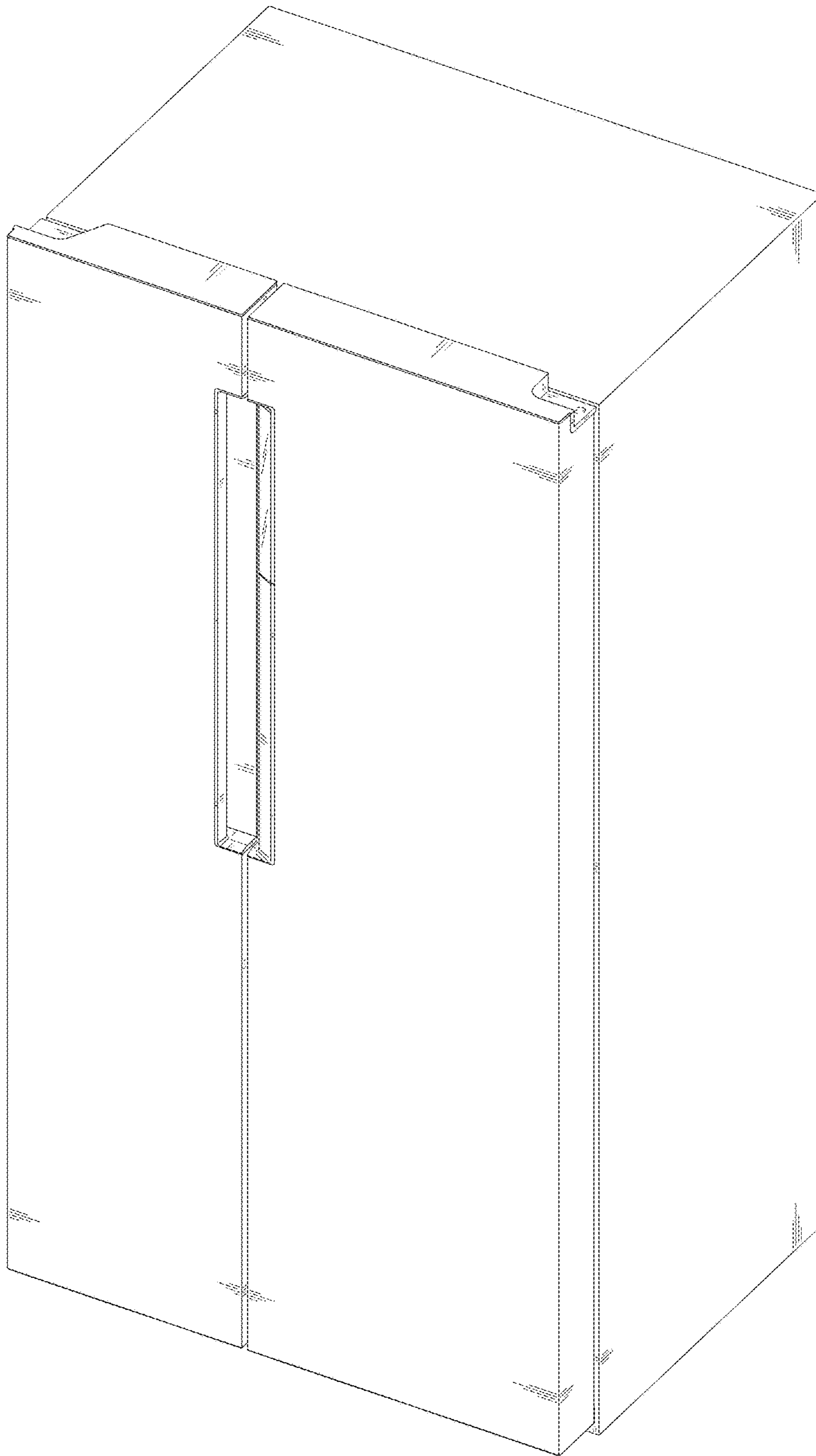


FIG. 9

