



US00D785054S

(12) **United States Design Patent**
Hosozawa et al.

(10) **Patent No.:** **US D785,054 S**
(45) **Date of Patent:** **** Apr. 25, 2017**

- (54) **RIDING LAWN MOWER**
- (71) Applicant: **Kubota Corporation**, Osaka-shi (JP)
- (72) Inventors: **Akari Hosozawa**, Sakai (JP); **Takeshi Komorida**, Sakai (JP); **Yoshihiro Kushita**, Sakai (JP); **Wataru Sasaki**, Sakai (JP)
- (73) Assignee: **KUBOTA CORPORATION**, Osaka (JP)
- (**) Term: **15 Years**
- (21) Appl. No.: **29/561,377**
- (22) Filed: **Apr. 15, 2016**

- D537,455 S * 2/2007 Kuwae D15/31
- D546,351 S * 7/2007 Arthur D15/31
- D586,828 S * 2/2009 Staines D15/31
- D591,777 S * 5/2009 Kokitkar D15/31
- D596,205 S * 7/2009 Kawashiri D15/31
- D602,507 S * 10/2009 Kushita D15/31
- D605,669 S * 12/2009 Matsumoto D15/31
- D620,955 S * 8/2010 Krogh D15/31
- D624,944 S * 10/2010 Major D15/31
- D631,489 S * 1/2011 Booth D15/31
- D632,312 S * 2/2011 Booth D15/31
- D642,598 S * 8/2011 Wikner D15/31
- D655,318 S * 3/2012 Hagele D15/31
- D668,695 S * 10/2012 Ringer D15/31
- D675,233 S * 1/2013 Kushita D15/31
- D676,466 S * 2/2013 Ewringmann D15/20
- D680,562 S * 4/2013 Park D15/31
- D690,327 S 9/2013 Kim et al.

* cited by examiner

(30) **Foreign Application Priority Data**

Oct. 16, 2015 (JP) 2015-022919

(51) **LOC (10) Cl.** **15-03**

(52) **U.S. Cl.**
USPC **D15/31**

(58) **Field of Classification Search**
USPC D15/10, 11, 13-17, 22-26, 28, 31;
D12/173; 56/13.3, 13.4, 15.8, 15.9,
56/320.1; 180/89.1, 89.12, 900, 69.2,
180/68.1, 69.1
CPC B62D 25/10; B62D 25/00; B62D
49/00-49/085; B60R 19/52; B60R 21/38;
B60K 13/02; B60K 11/08; B60K 11/04;
F01P 11/10; F01P 5/06; F01P 2001/005;
B60Y 2200/221
See application file for complete search history.

(56) **References Cited**

U.S. PATENT DOCUMENTS

- D533,882 S 12/2006 Higashikawa
- D537,454 S 2/2007 Higashikawa et al.

Primary Examiner — Mark Goodwin

(74) *Attorney, Agent, or Firm* — The Webb Law Firm

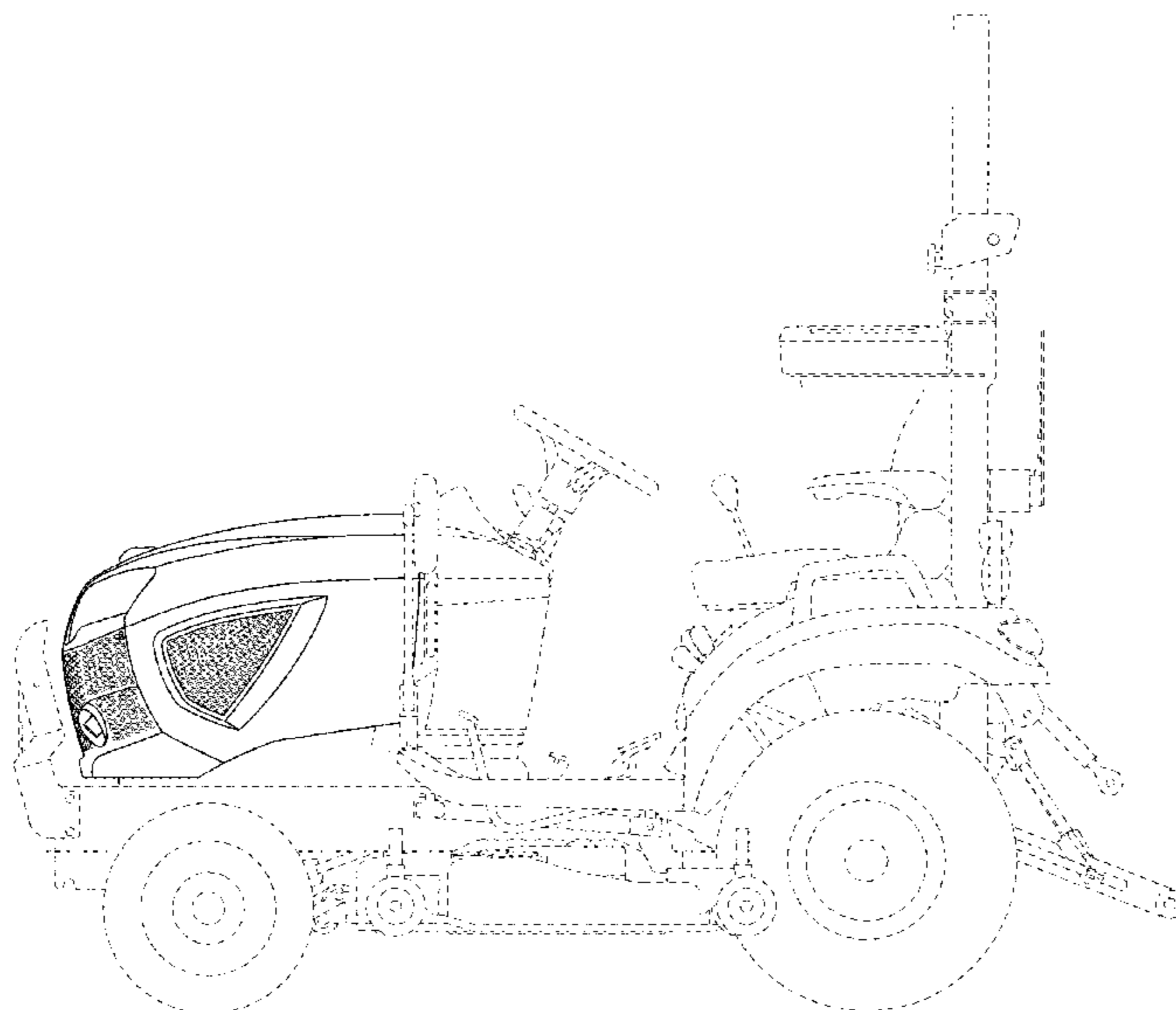
(57) **CLAIM**

The ornamental design for a riding lawn mower, as shown and described.

DESCRIPTION

FIG. 1 is a front view of a riding lawn mower showing our new design;
FIG. 2 is a rear view thereof;
FIG. 3 is a left side view thereof;
FIG. 4 is a top view thereof;
FIG. 5 is a bottom view thereof;
FIG. 6 is an upper left front perspective view thereof; and,
FIG. 7 is an upper right rear perspective view thereof.
The broken lines in the drawings are directed to environment and form no part of the claimed design.

1 Claim, 7 Drawing Sheets



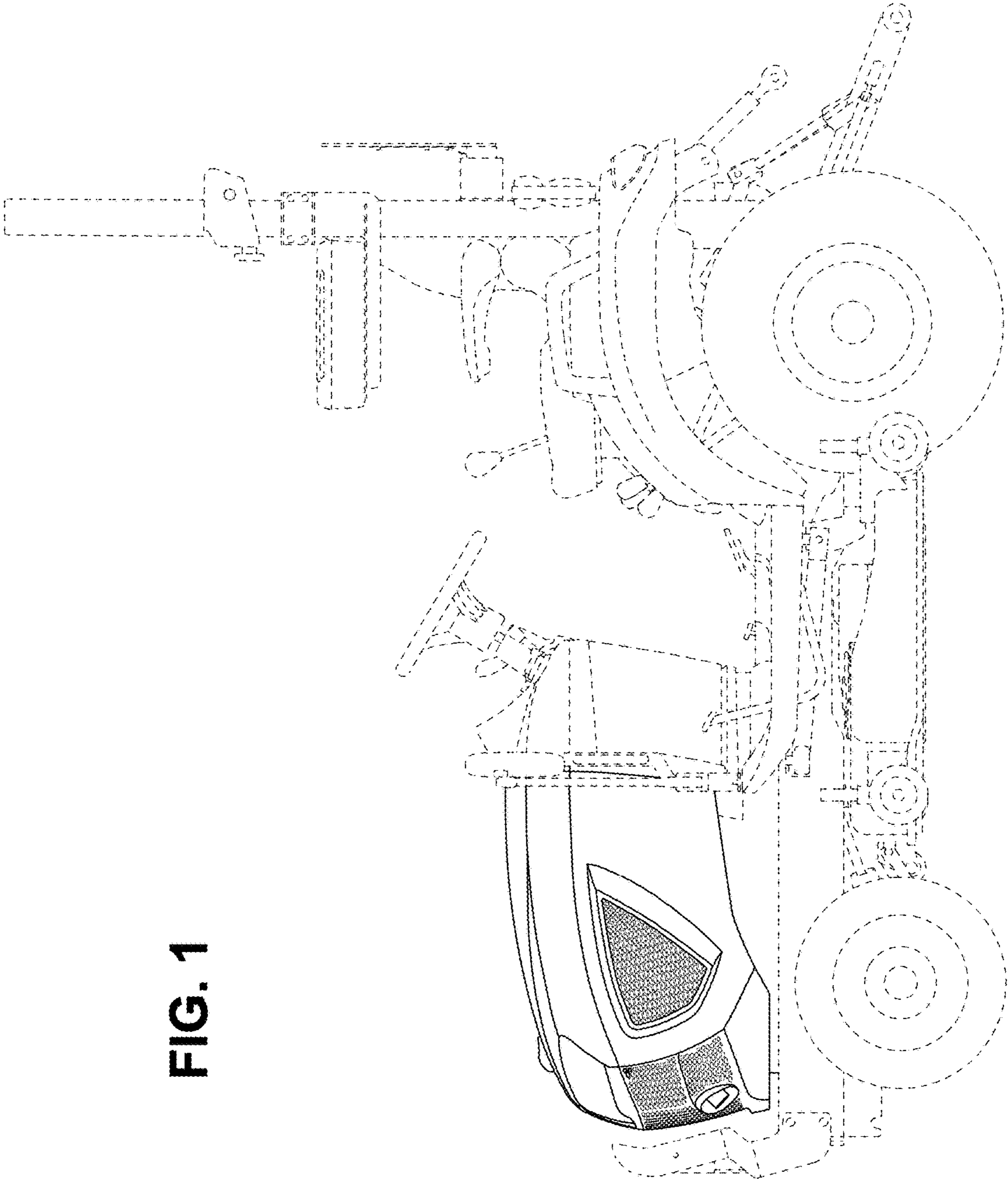


FIG. 1

FIG. 2

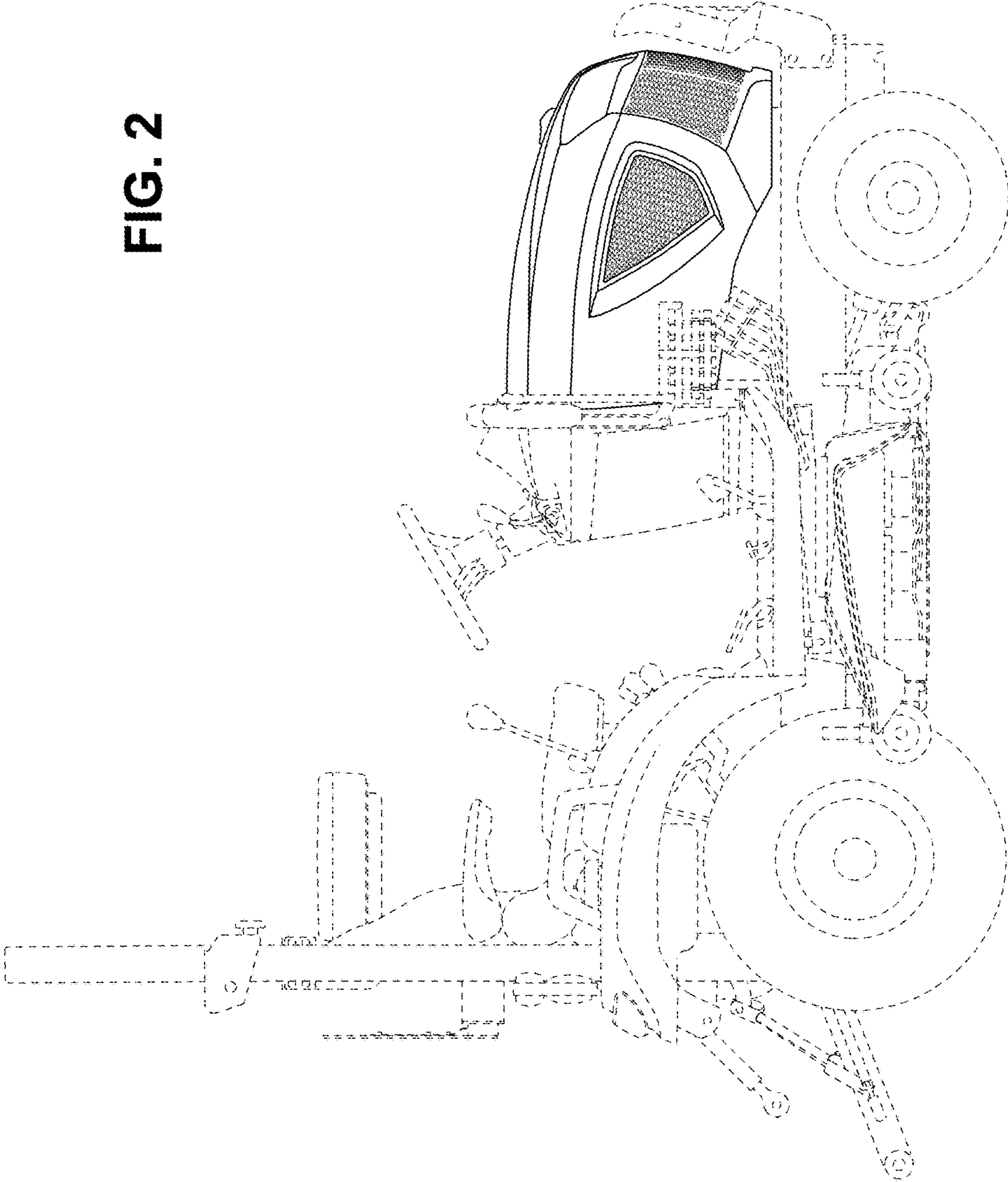
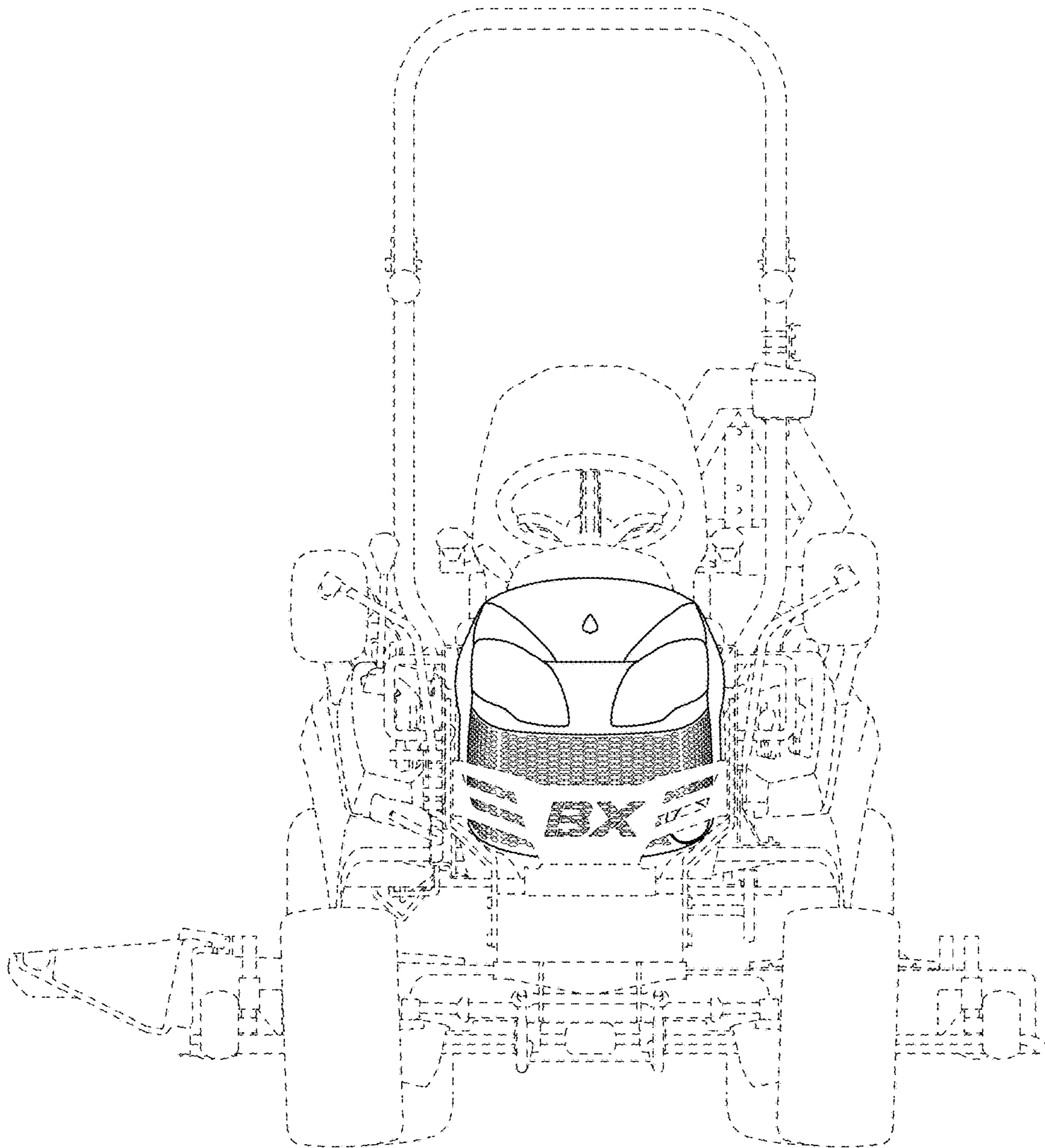
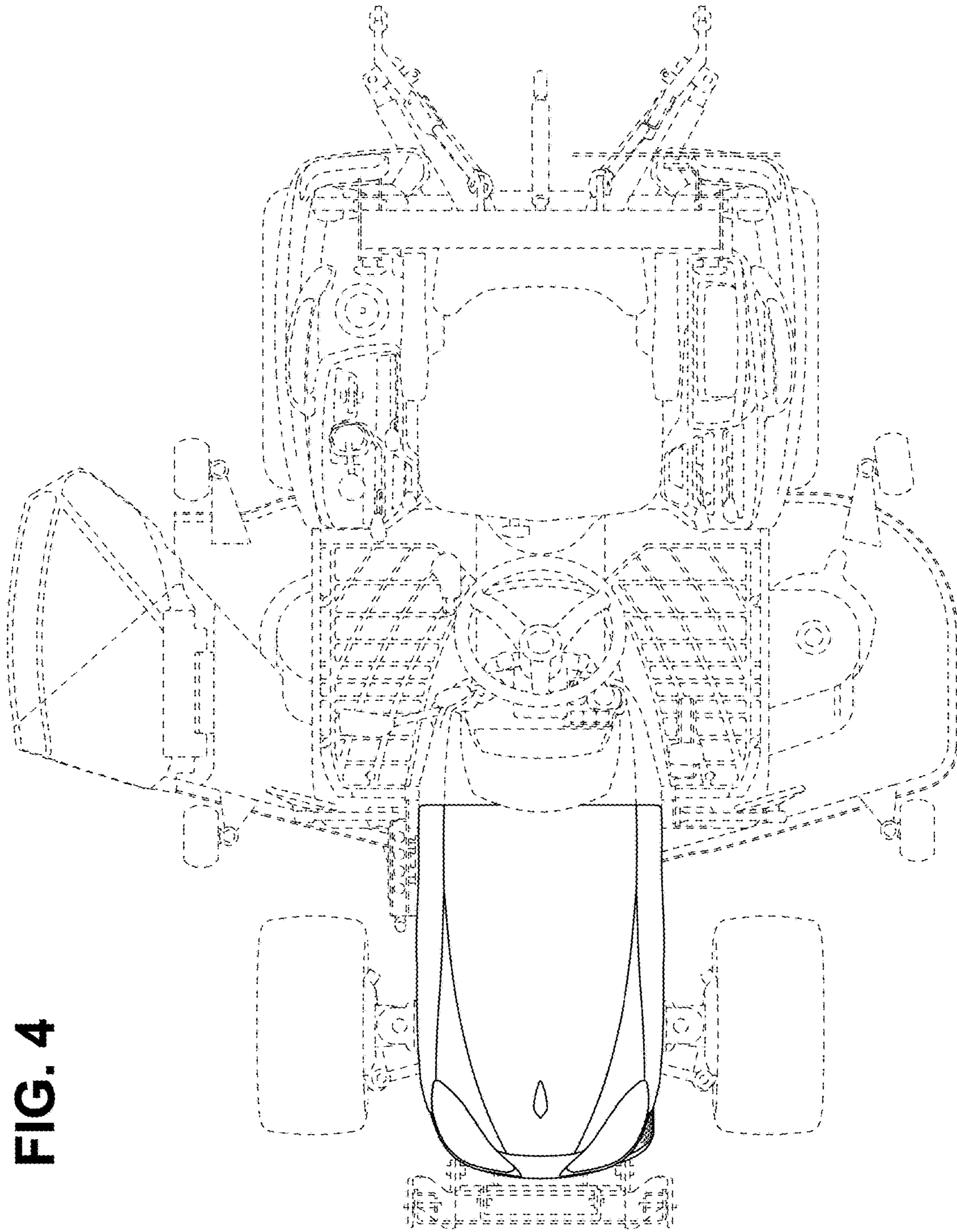


FIG. 3





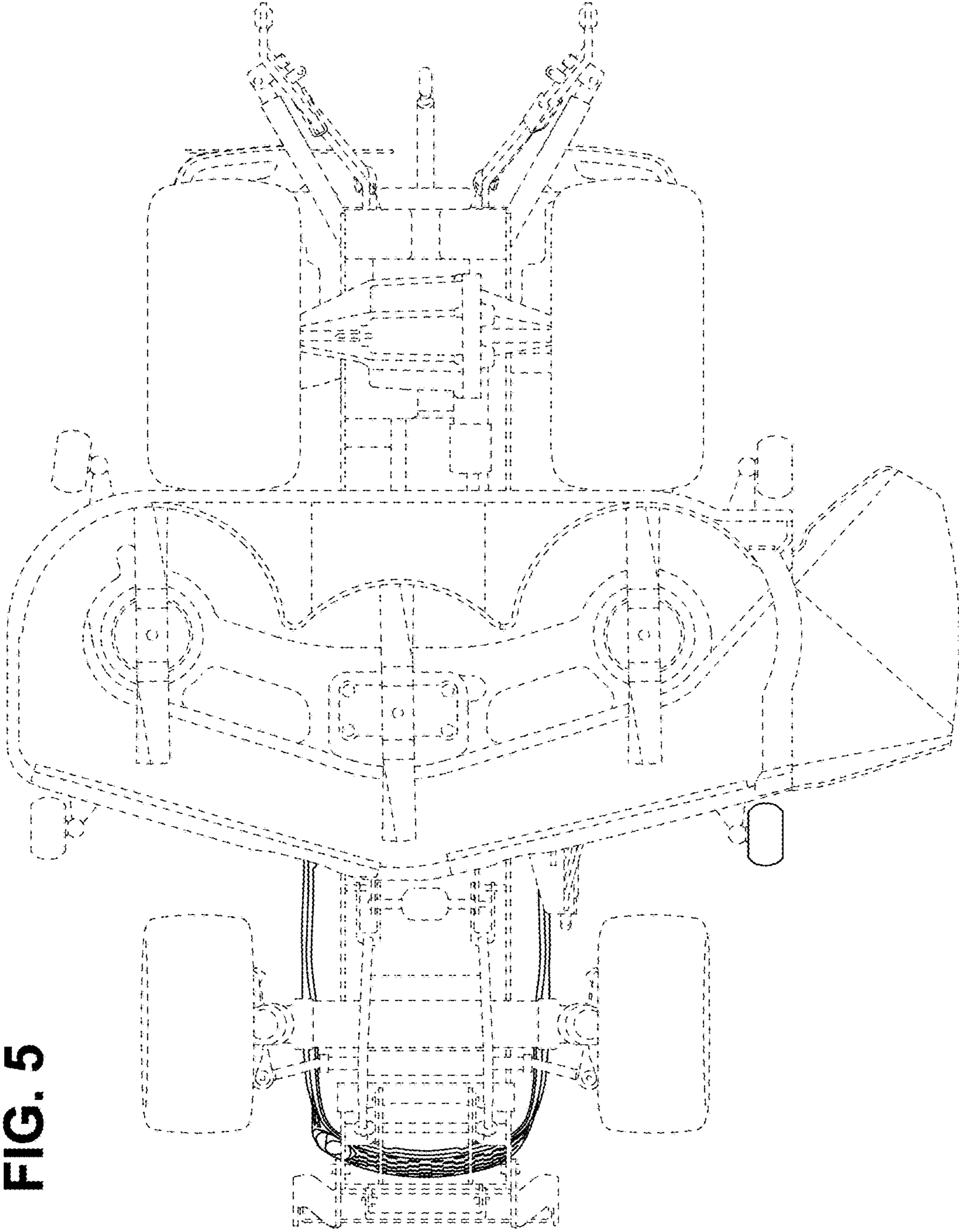


FIG. 5

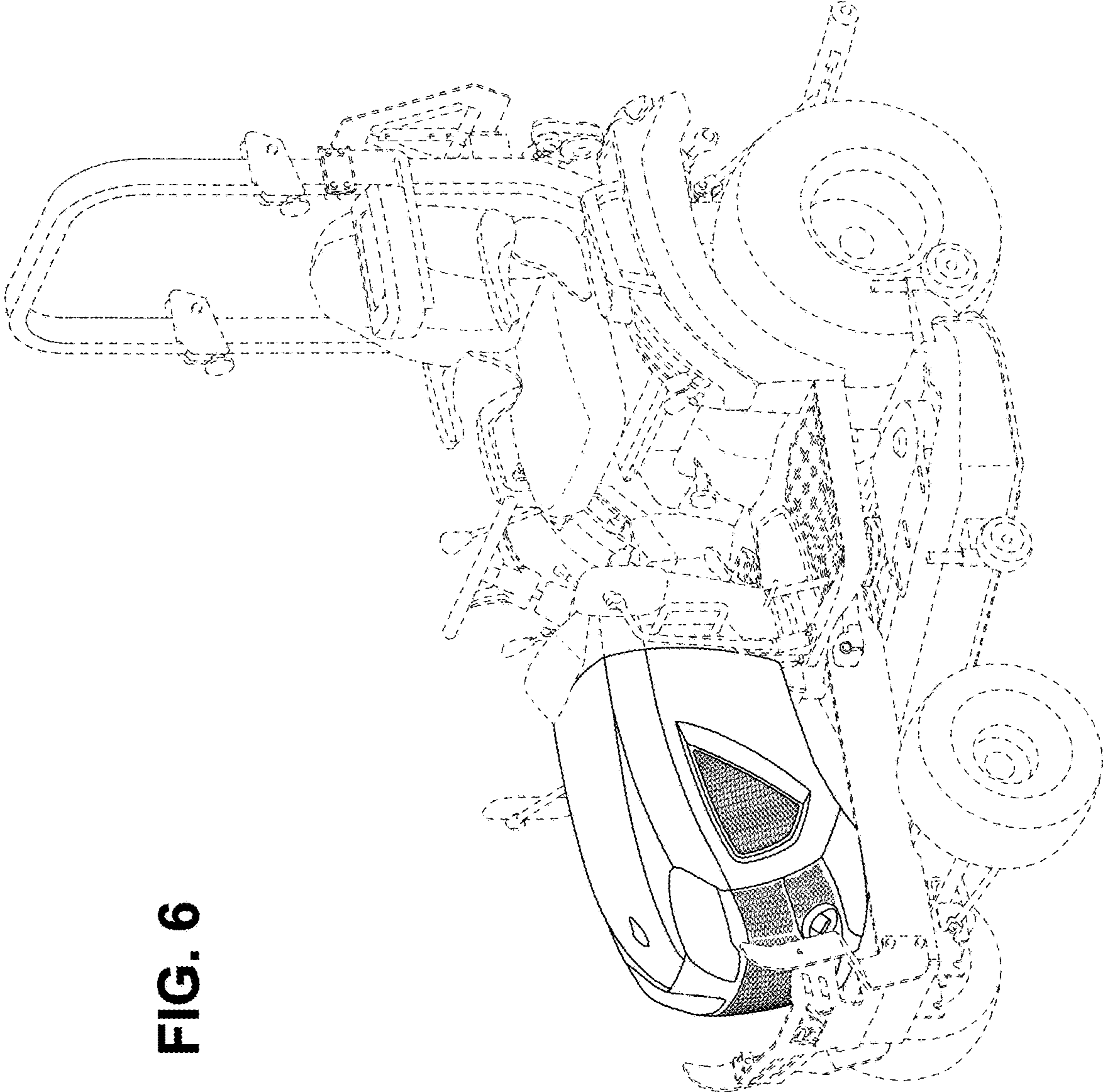


FIG. 6

FIG. 7

