



US00D785052S

(12) **United States Design Patent**  
**Underhill et al.**

(10) **Patent No.:** **US D785,052 S**  
(45) **Date of Patent:** **\*\* Apr. 25, 2017**

(54) **ROOF FOR A BACKHOE LOADER**

(56) **References Cited**

(71) Applicant: **J.C. BAMFORD EXCAVATORS LIMITED**, Rocester, Staffordshire (GB)

U.S. PATENT DOCUMENTS

(72) Inventors: **Thomas Edward Underhill**, Rocester (GB); **Samuel John Jilbert**, Rocester (GB)

D497,872 S	*	11/2004	Bonner	.....	D12/401
D534,188 S	*	12/2006	Shuttleworth	.....	D15/33
D544,889 S	*	6/2007	Milburn, Jr.	.....	D15/30
D549,639 S	*	8/2007	Tuo	.....	D12/401
D720,781 S	*	1/2015	Venth	.....	D15/28
D745,571 S	*	12/2015	Ewringmann	.....	D15/28
D755,254 S	*	5/2016	Ewringmann	.....	D15/28
D755,255 S	*	5/2016	Ewringmann	.....	D15/28

(73) Assignee: **J.C. BAMFORD EXCAVATORS LIMITED**, Utttoxeter (GB)

\* cited by examiner

(\*\*) Term: **15 Years**

*Primary Examiner* — Ian Simmons

(21) Appl. No.: **29/539,087**

*Assistant Examiner* — Khawaja Anwar

(22) Filed: **Sep. 10, 2015**

(74) *Attorney, Agent, or Firm* — Marshall, Gerstein & Borun LLP

(30) **Foreign Application Priority Data**

(57) **CLAIM**

Mar. 10, 2015 (EM) ..... 001431910

The ornamental design for a roof for a backhoe loader, as shown and described.

(51) **LOC (10) Cl.** ..... **12-09**

**DESCRIPTION**

(52) **U.S. Cl.**

USPC ..... **D15/30**

FIG. 1 is a top plan view of a roof for a backhoe loader showing the new design.

(58) **Field of Classification Search**

USPC ..... D15/10, 11, 15, 17, 22, 23, 25, 26, 28, D15/30; D12/16, 401, 403, 404

FIG. 2 is a front elevation view of the roof for a backhoe loader.

CPC ..... E02F 9/0841; E02F 3/3411; E02F 3/76; E02F 3/34; E02F 3/00; E02F 7/00; E02F 9/16; E02F 9/163; B66C 13/54; B60J 7/00; B60J 1/004; B62D 33/0617; B62D 49/00; B62D 49/0815; B62D 21/186; B62D 53/028

FIG. 3 is a right-side elevation view of the roof for a backhoe loader.

FIG. 4 is a rear elevation view; and,

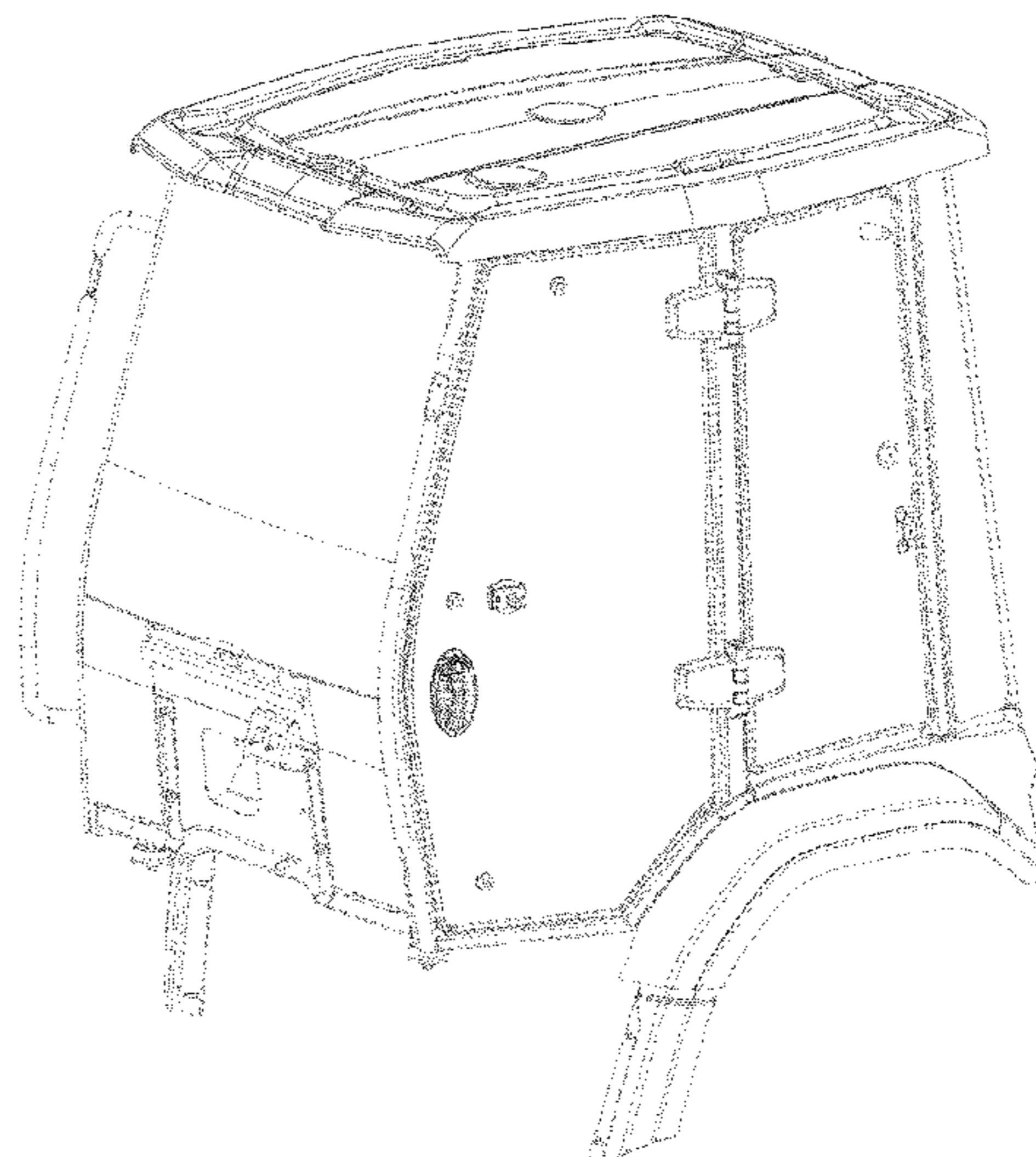
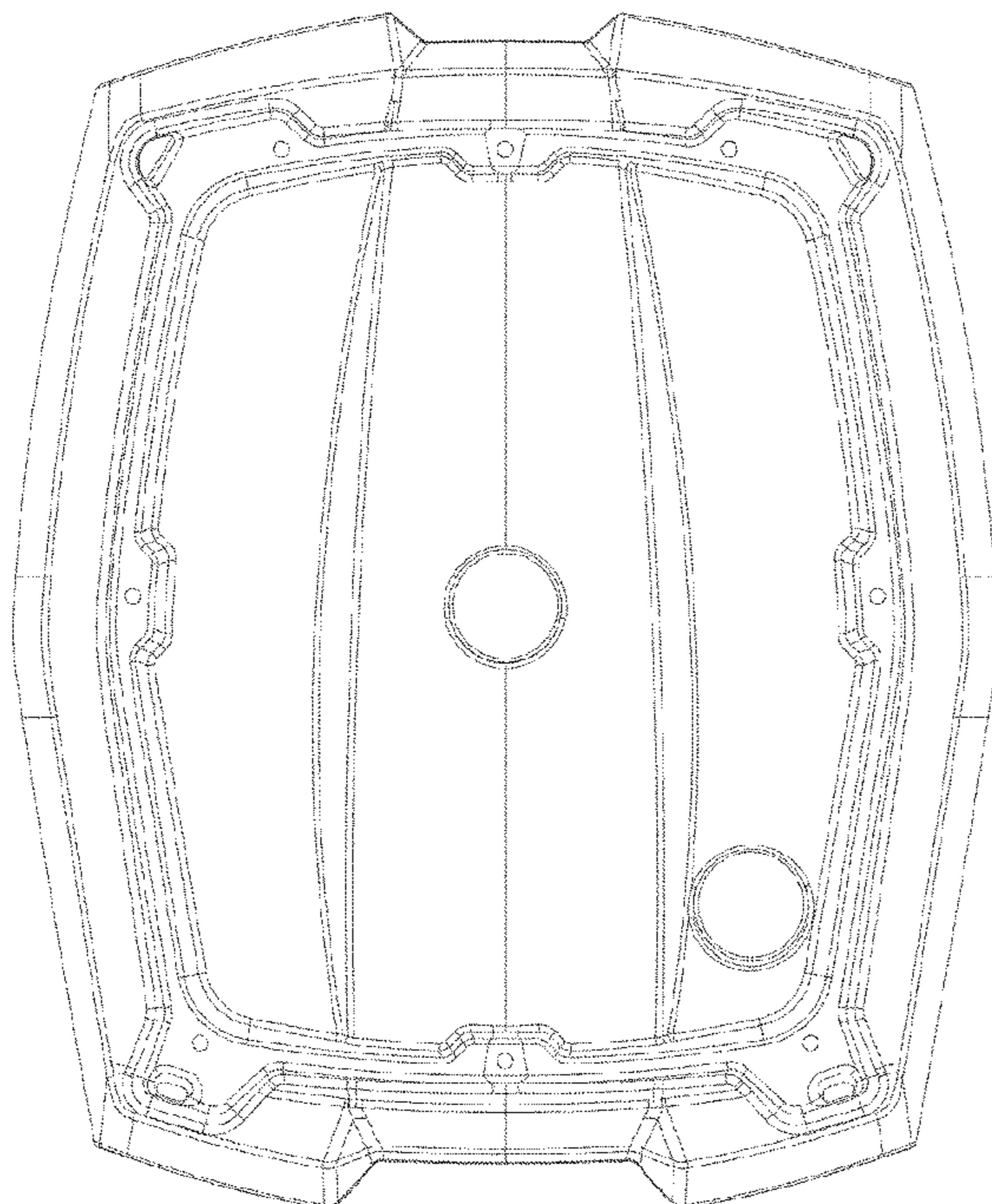
FIG. 5 is a front, right-side, and top view, shown in use.

The broken lines show environmental structure and form no part of the claimed design.

Any elements that are not clearly disclosed are not part of the claimed design.

See application file for complete search history.

**1 Claim, 3 Drawing Sheets**



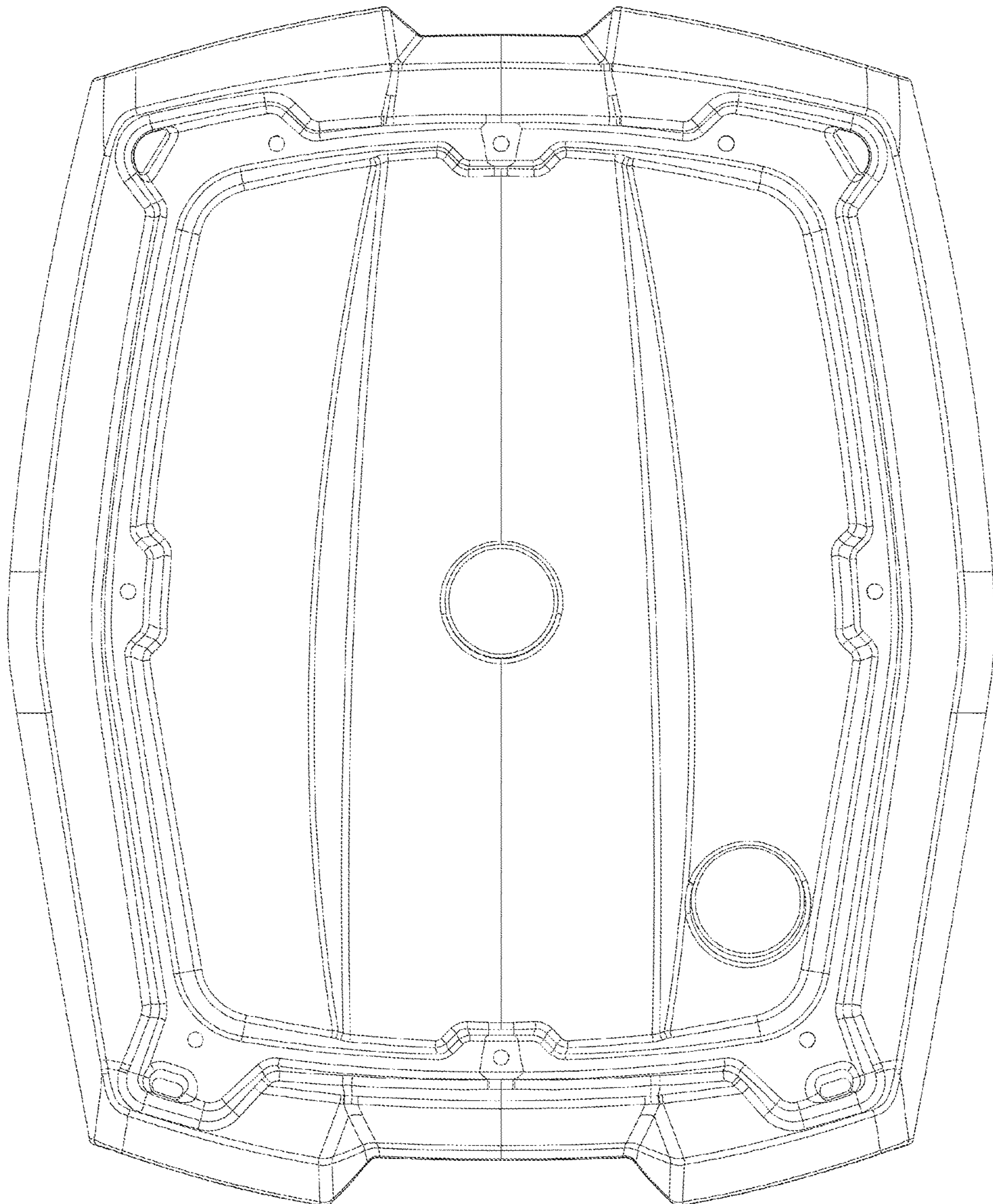


Fig. 1

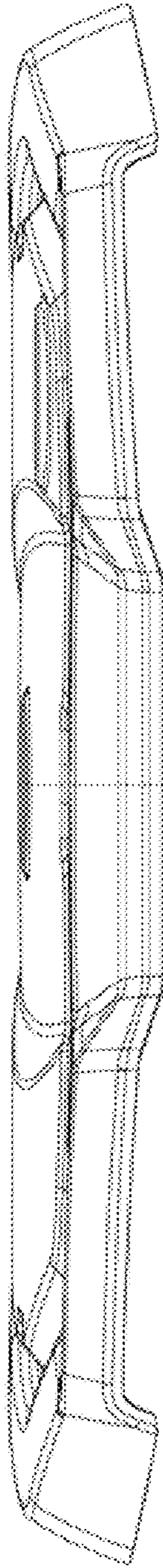


Fig. 2

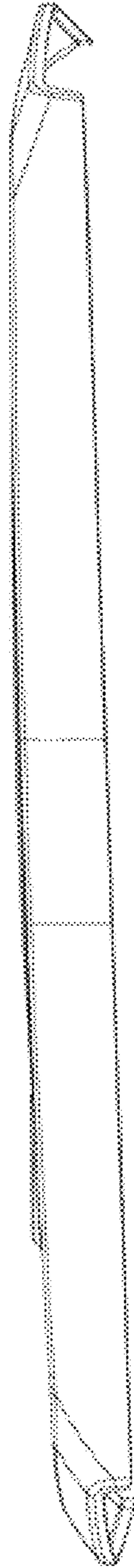


Fig. 3

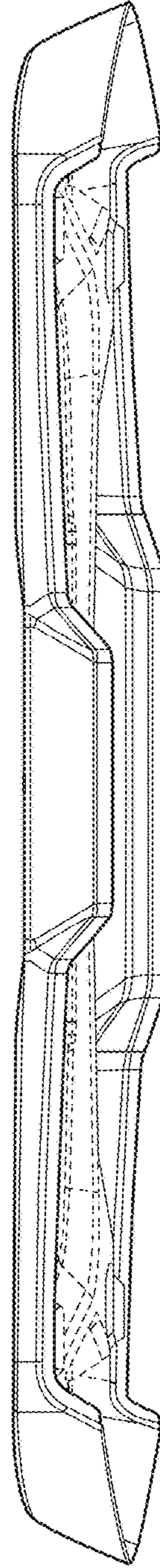


Fig. 4

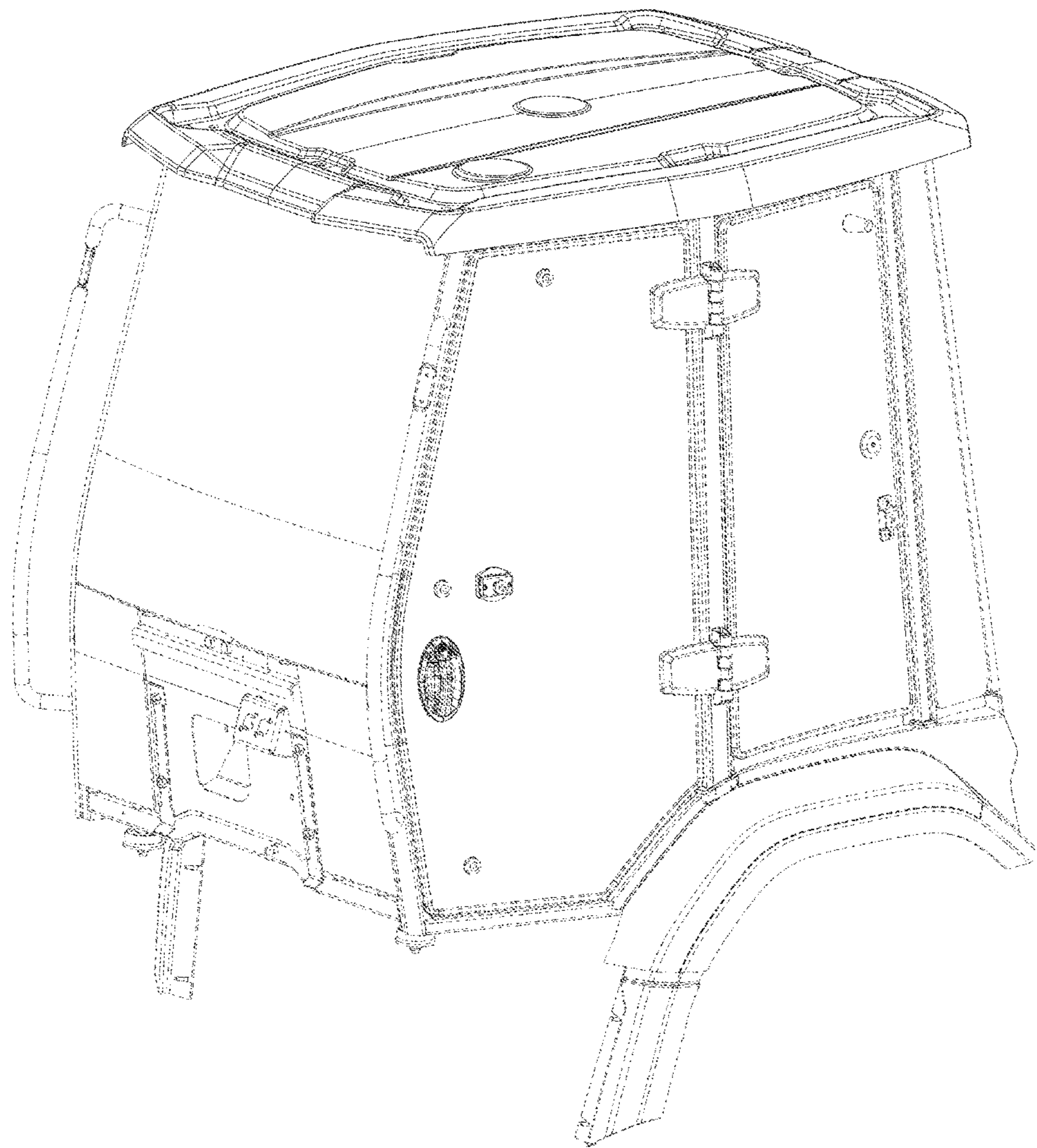


Fig. 5