



US00D785051S

(12) **United States Design Patent**  
**Okuyama et al.**

(10) **Patent No.:** **US D785,051 S**  
(45) **Date of Patent:** **\*\* Apr. 25, 2017**

(54) **TRACTOR**

(71) Applicant: **YANMAR CO., LTD.**, Osaka-shi,  
Osaka (JP)

(72) Inventors: **Kiyoyuki Okuyama**, Yamagata (JP);  
**Kunihiko Matsumoto**, Osaka (JP);  
**Kenji Watabe**, Osaka (JP)

(73) Assignee: **YANMAR CO., LTD.**, Osaka-Shi,  
Osaka (JP)

(\*\*) Term: **15 Years**

(21) Appl. No.: **29/559,363**

(22) Filed: **Mar. 28, 2016**

(30) **Foreign Application Priority Data**

Oct. 16, 2015 (JP) ..... 2015-022982

(51) **LOC (10) Cl.** ..... **15-03**

(52) **U.S. Cl.**  
USPC ..... **D15/23; D15/26**

(58) **Field of Classification Search**  
USPC ..... D15/10, 14, 15, 22-26, 33; 180/69.2,  
180/89.1, 89.12, 900; 56/12.7, 15.8, 16.7,  
56/13.3, 10.1, 202, 320.1  
CPC ..... A01B 51/026; B62D 49/02; B62D 33/06;  
B62D 33/0604; B62D 33/0617; B62D  
25/10; B60K 15/063; B60K 15/073;  
B60K 2015/0637

See application file for complete search history.

(56) **References Cited**

**U.S. PATENT DOCUMENTS**

D498,245 S \* 11/2004 Kuwae ..... D15/23  
D501,487 S \* 2/2005 Katoh ..... D15/23  
D513,268 S \* 12/2005 Wang ..... D15/23  
D553,159 S \* 10/2007 Higashikawa ..... D15/15  
D555,674 S \* 11/2007 Kuwae ..... D15/23

D558,797 S \* 1/2008 Yamamoto ..... D15/23  
D564,544 S \* 3/2008 Higashikawa ..... D15/23  
D581,953 S \* 12/2008 Matsumoto ..... D15/15  
D599,826 S \* 9/2009 Kuwae ..... D15/23  
D600,255 S \* 9/2009 Kushita ..... D15/23  
D602,047 S \* 10/2009 Kushita ..... D15/23  
D605,668 S \* 12/2009 Matsumoto ..... D15/23  
D641,027 S \* 7/2011 Kawashiri ..... D15/23  
D668,270 S \* 10/2012 Kushita ..... D15/23  
D674,819 S \* 1/2013 Hagele ..... D15/23  
D678,353 S \* 3/2013 Kakudate ..... D15/23  
D692,463 S \* 10/2013 Matsui ..... D15/23  
D703,699 S \* 4/2014 Shimomura ..... D15/23  
D706,837 S \* 6/2014 Takagi ..... D15/23  
D710,911 S \* 8/2014 Iwata ..... D15/23

(Continued)

**FOREIGN PATENT DOCUMENTS**

JP 1553713 S 7/2016

**OTHER PUBLICATIONS**

Japanese Office Action corresponding to Application No. 2015-022982; Shipping Date: Apr. 5, 2016, with partial English translation.

*Primary Examiner* — Mark Goodwin

(74) *Attorney, Agent, or Firm* — Cantor Colburn LLP

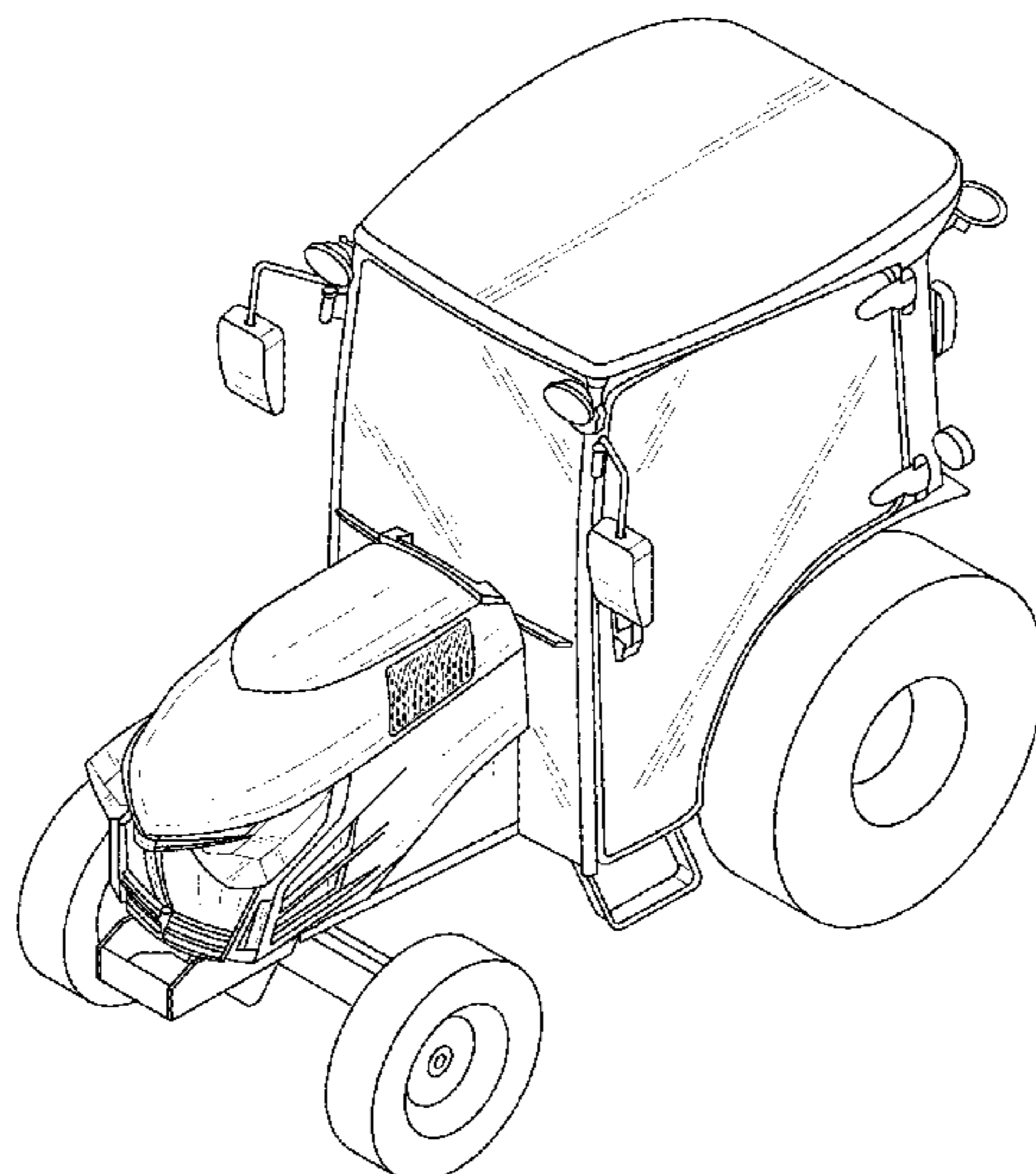
(57) **CLAIM**

The ornamental design for a tractor, as shown and described.

**DESCRIPTION**

FIG. 1 is a perspective view of a tractor showing our new design;  
FIG. 2 is a front view thereof;  
FIG. 3 is a rear view thereof;  
FIG. 4 is a top plan view thereof;  
FIG. 5 is a bottom plan view thereof;  
FIG. 6 right side view thereof; and,  
FIG. 7 is a left side view thereof.

**1 Claim, 7 Drawing Sheets**



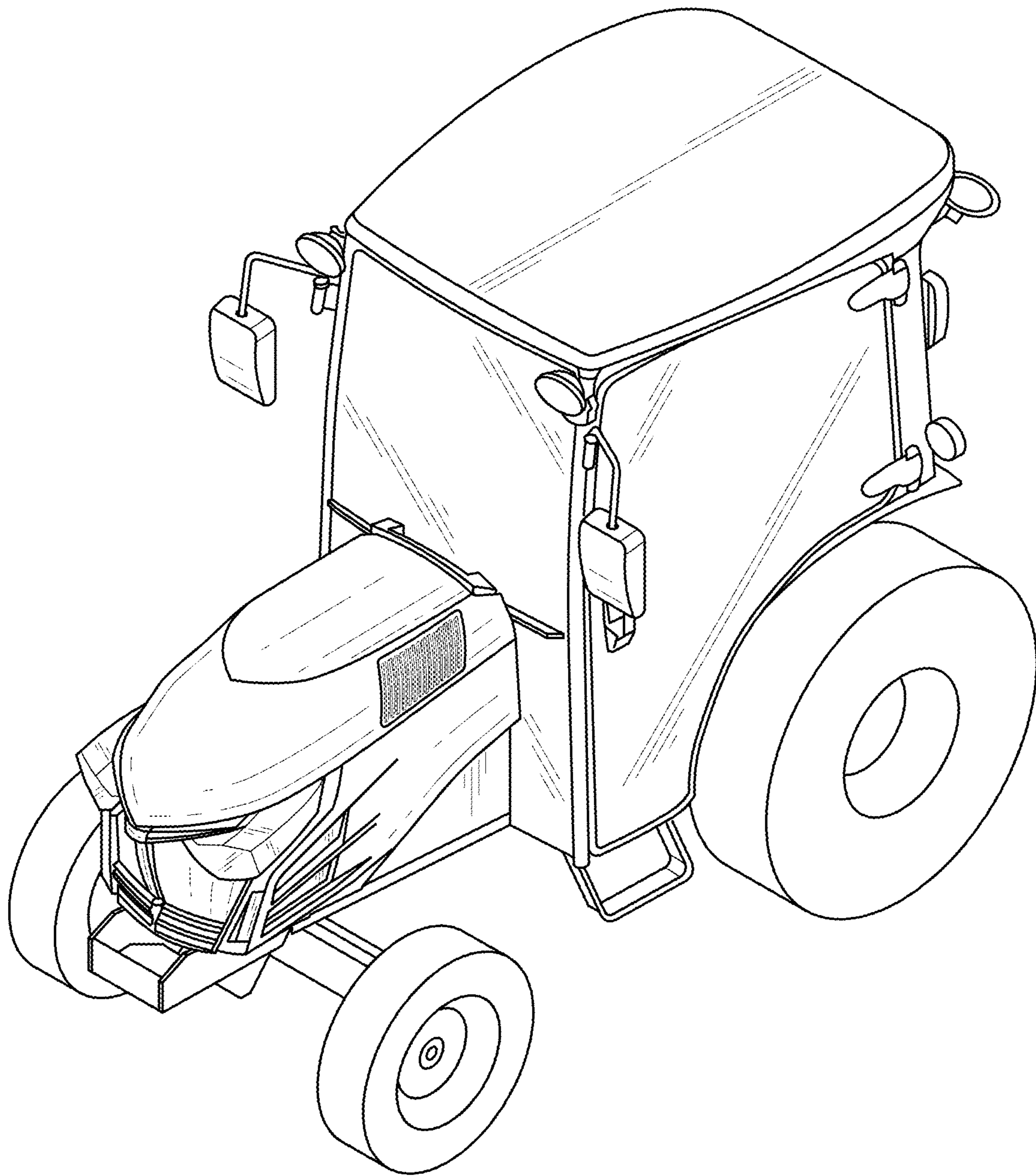
(56)

**References Cited**

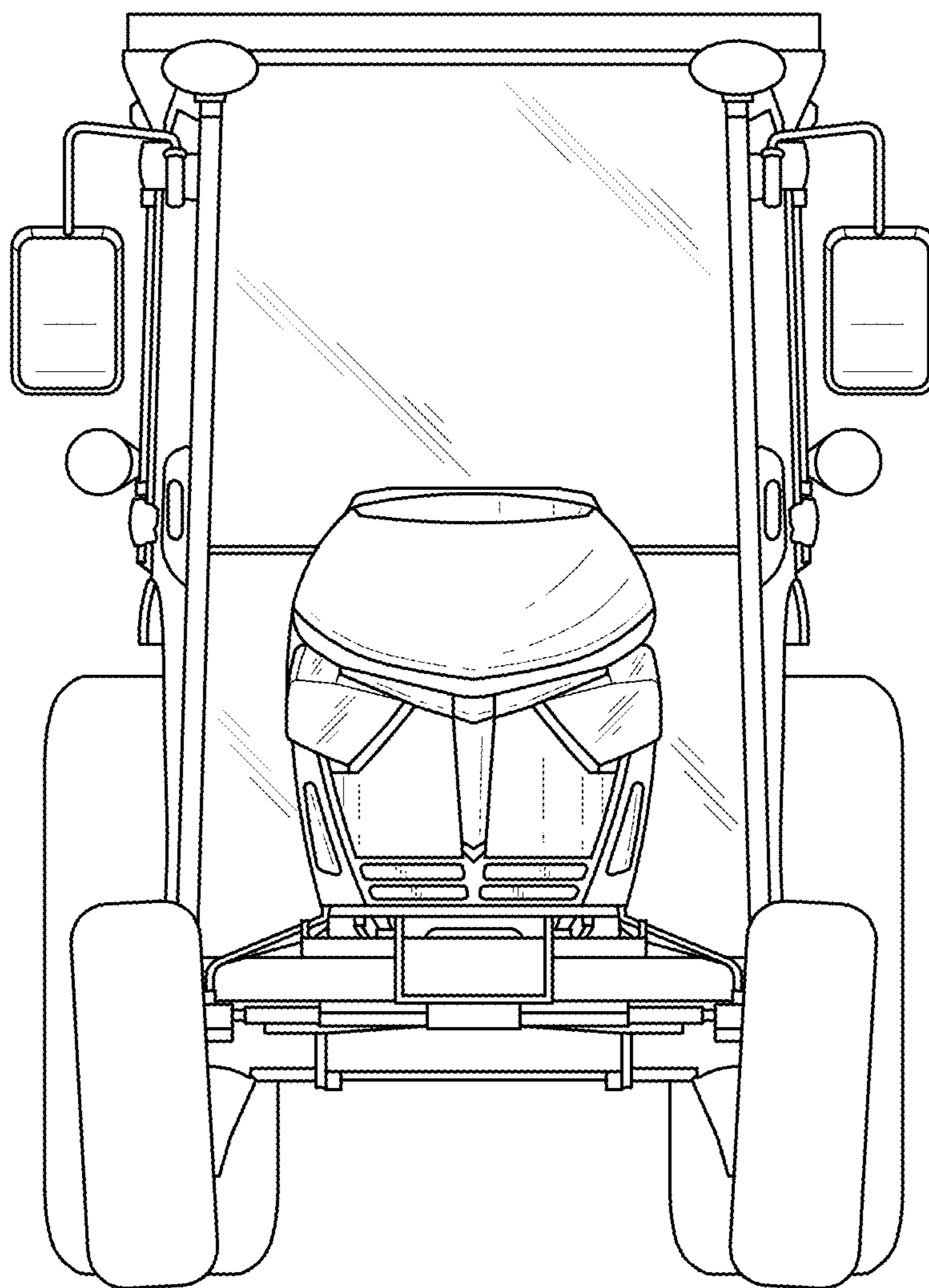
U.S. PATENT DOCUMENTS

D720,369 S *	12/2014	Furukawa .....	D15/23
D729,851 S *	5/2015	Kushita .....	D15/23
D747,363 S *	1/2016	Okuyama .....	D15/22
D748,677 S *	2/2016	Kushita .....	D15/26
D749,144 S *	2/2016	Higashikawa .....	D15/23
D749,645 S *	2/2016	Okuyama .....	D15/26
D752,650 S *	3/2016	Margutti .....	D15/23
D753,730 S *	4/2016	Margutti .....	D15/23
D754,210 S *	4/2016	Margutti .....	D15/23
D756,421 S *	5/2016	Okuyama .....	D15/26
D759,128 S *	6/2016	Yang .....	D15/23
D759,730 S *	6/2016	Okuyama .....	D15/26

\* cited by examiner



*FIG. 1*



*FIG. 2*



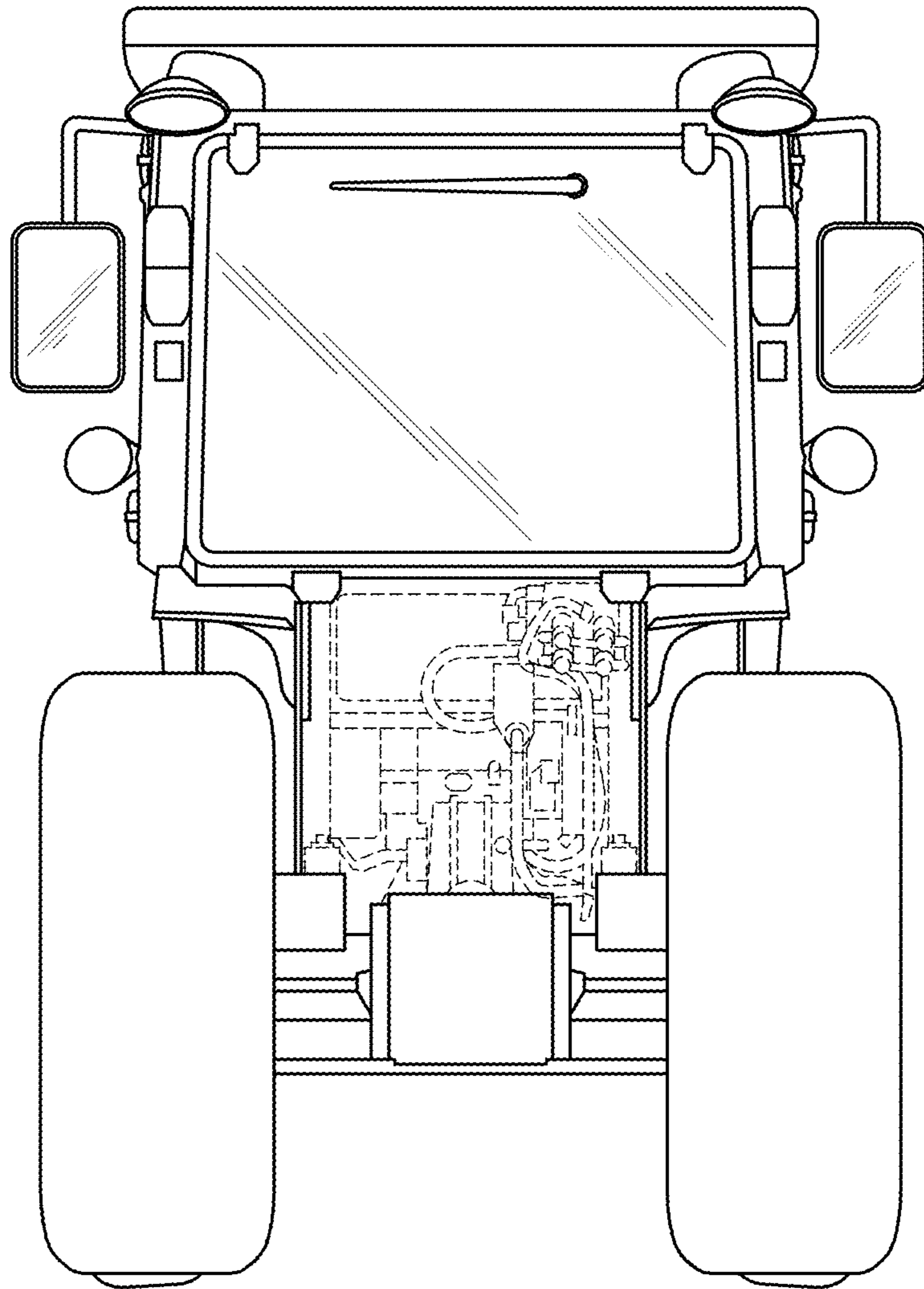


FIG. 3

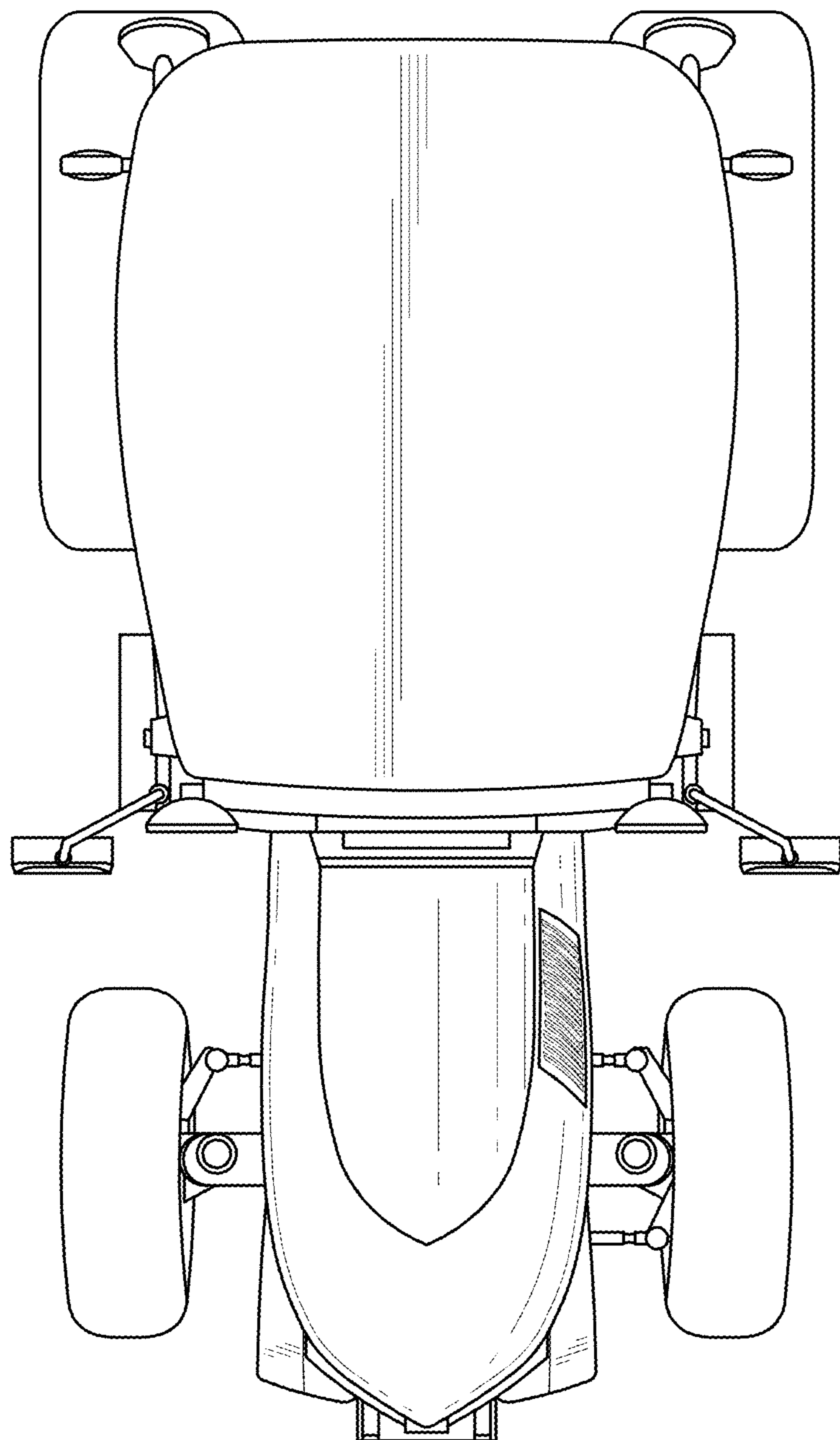


FIG. 4

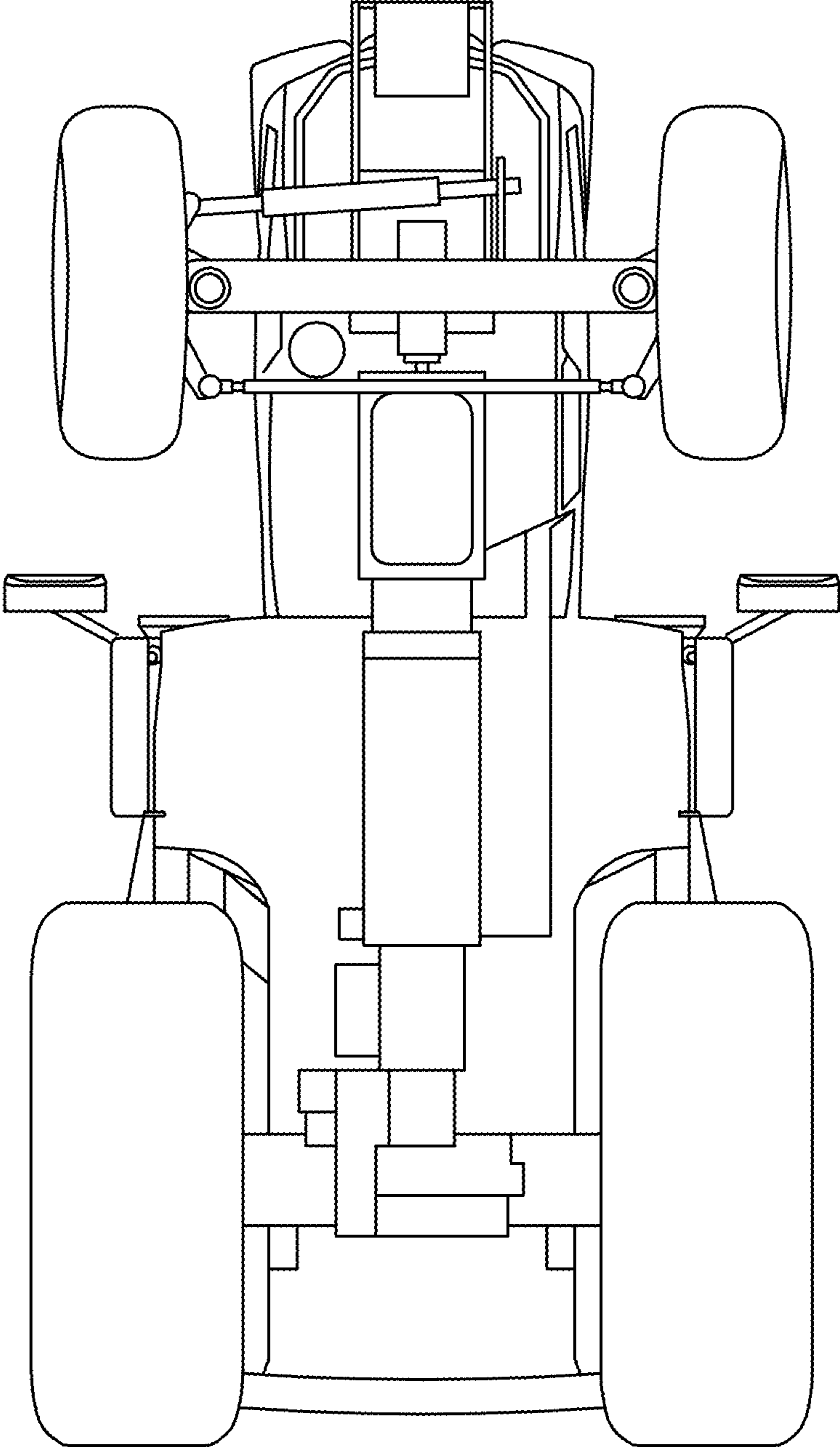


FIG. 5

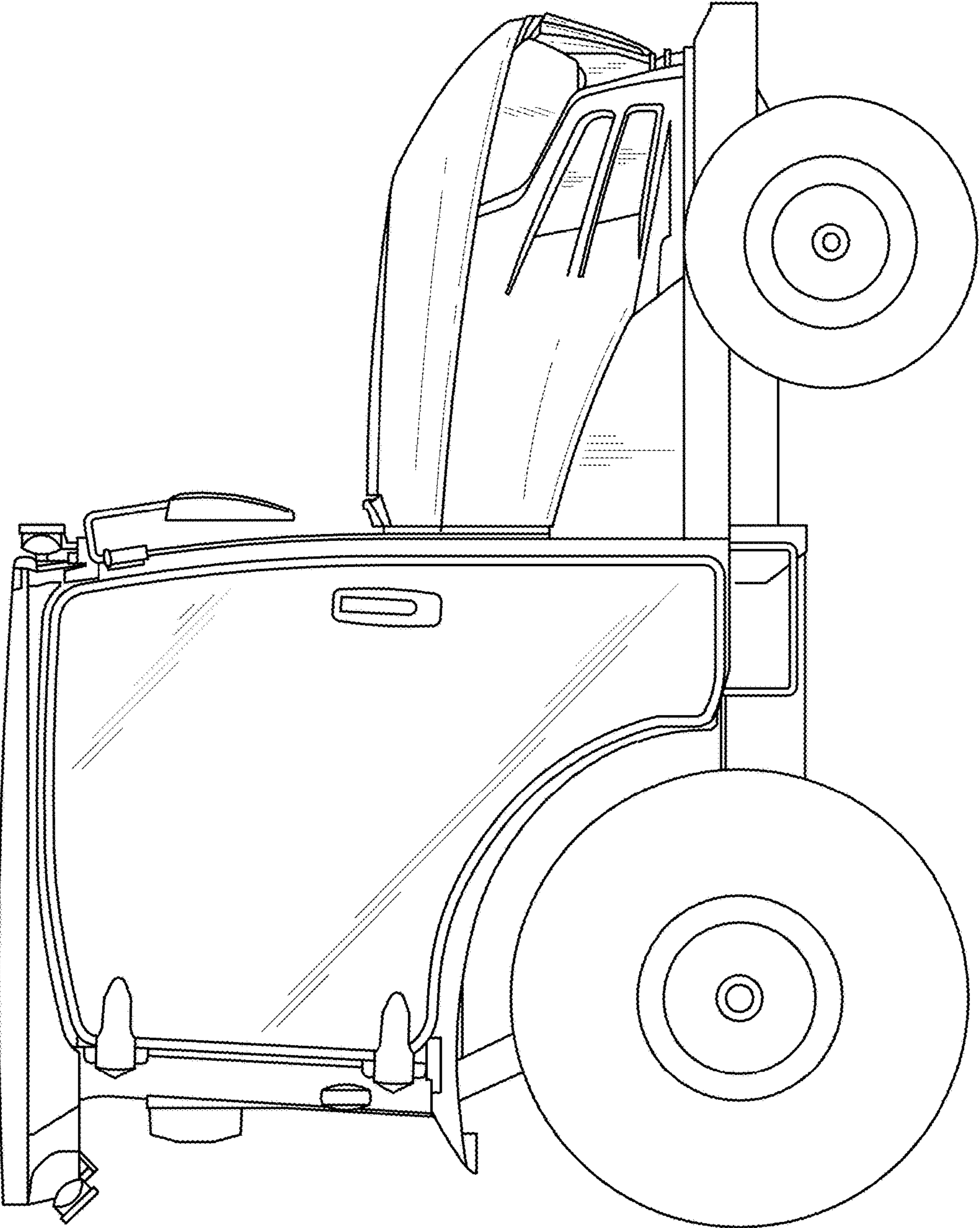


FIG. 6



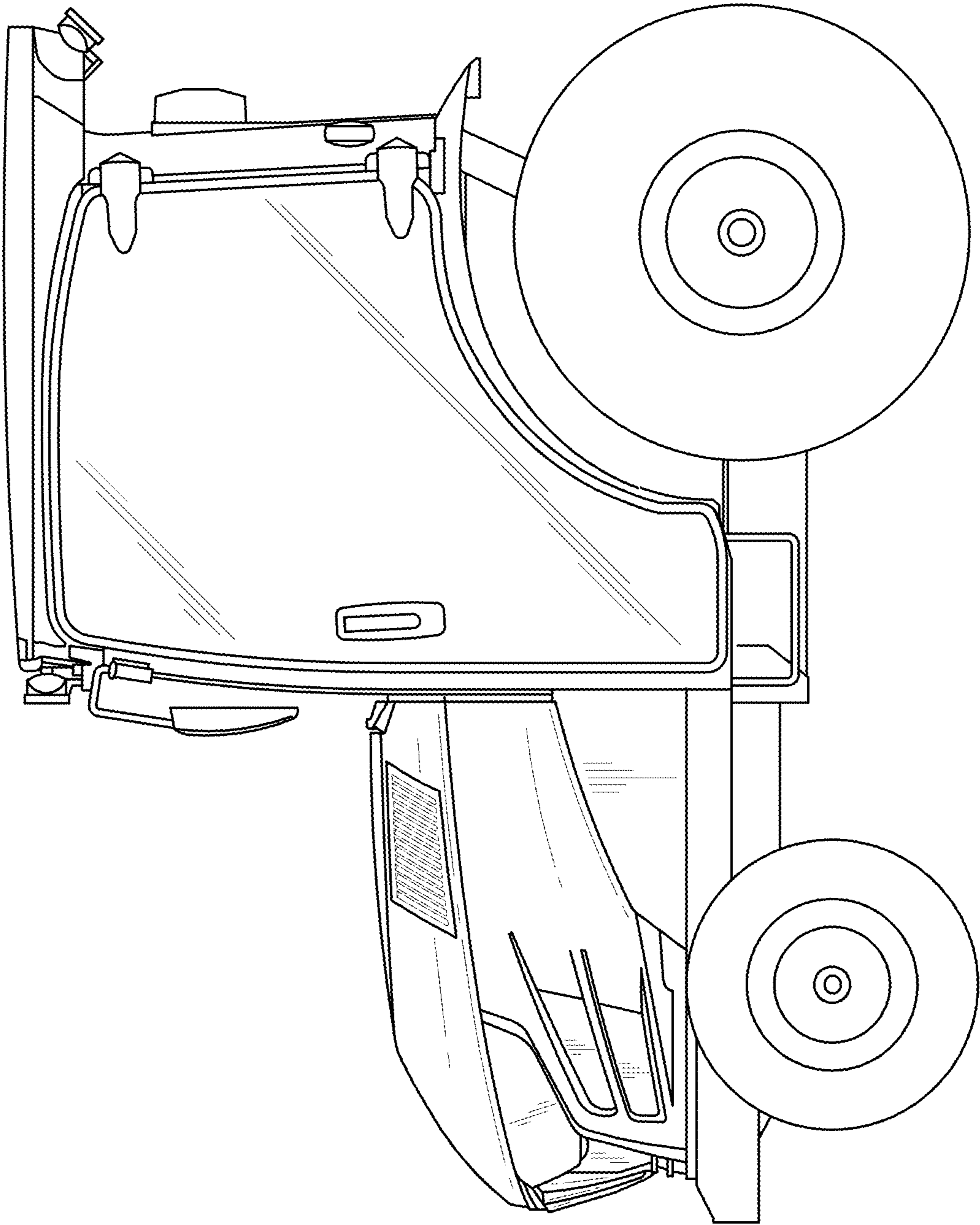


FIG. 7