



US00D785050S

(12) **United States Design Patent** (10) **Patent No.:** **US D785,050 S**
Okuyama et al. (45) **Date of Patent:** **** Apr. 25, 2017**

(54) **TRACTOR**

(71) Applicant: **YANMAR CO., LTD.**, Osaka-shi,
Osaka (JP)

(72) Inventors: **Kiyoyuki Okuyama**, Yamagata (JP);
Shinya Kawashiri, Osaka (JP)

(73) Assignee: **YANMAR CO., LTD.**, Osaka (JP)

(**) Term: **15 Years**

(21) Appl. No.: **29/558,278**

(22) Filed: **Mar. 16, 2016**

(30) **Foreign Application Priority Data**

Oct. 20, 2015 (JP) 2015-023267

(51) **LOC (10) Cl.** **15-03**

(52) **U.S. Cl.**
USPC **D15/23; D15/26**

(58) **Field of Classification Search**
USPC D15/10, 14, 15, 22-26, 33; 180/69.2,
180/89.1, 89.12, 900; 56/12.7, 15.8, 16.7,
56/13.3, 10.1, 202, 320.1
CPC A01B 51/026; B62D 49/02; B62D 33/06;
B62D 33/0604; B62D 33/0617; B62D
25/10; B60K 15/063; B60K 15/073;
B60K 2015/0637

See application file for complete search history.

(56) **References Cited**

U.S. PATENT DOCUMENTS

D498,245 S * 11/2004 Kuwae D15/23
D501,487 S * 2/2005 Katoh D15/23
D513,268 S * 12/2005 Wang D15/23
D553,159 S * 10/2007 Higashikawa D15/15
D555,674 S * 11/2007 Kuwae D15/23
D558,797 S * 1/2008 Yamamoto D15/23
D564,544 S * 3/2008 Higashikawa D15/23

D581,953 S * 12/2008 Matsumoto D15/15
D599,826 S * 9/2009 Kuwae D15/23
D600,255 S * 9/2009 Kushita D15/23
D602,047 S * 10/2009 Kushita D15/23
D605,668 S * 12/2009 Matsumoto D15/23
D641,027 S * 7/2011 Kawashiri D15/23
D668,270 S * 10/2012 Kushita D15/23
D674,819 S * 1/2013 Hagele D15/23
D678,353 S * 3/2013 Kakudate D15/23
D692,463 S * 10/2013 Matsui D15/23
D703,699 S * 4/2014 Shimomura D15/23
D706,837 S * 6/2014 Takagi D15/23

(Continued)

FOREIGN PATENT DOCUMENTS

CN 303584659 S 2/2016

OTHER PUBLICATIONS

Japanese Office Action corresponding to Application No. 2015-023267; Mailed: Apr. 5, 2016.

Primary Examiner — Mark Goodwin

(74) *Attorney, Agent, or Firm* — Cantor Colburn LLP

(57) **CLAIM**

The ornamental design for a tractor, as shown and described.

DESCRIPTION

FIG. 1 is a perspective view of a tractor showing our new design;

FIG. 2 is a left side view thereof;

FIG. 3 is a right side view thereof;

FIG. 4 is a top view thereof;

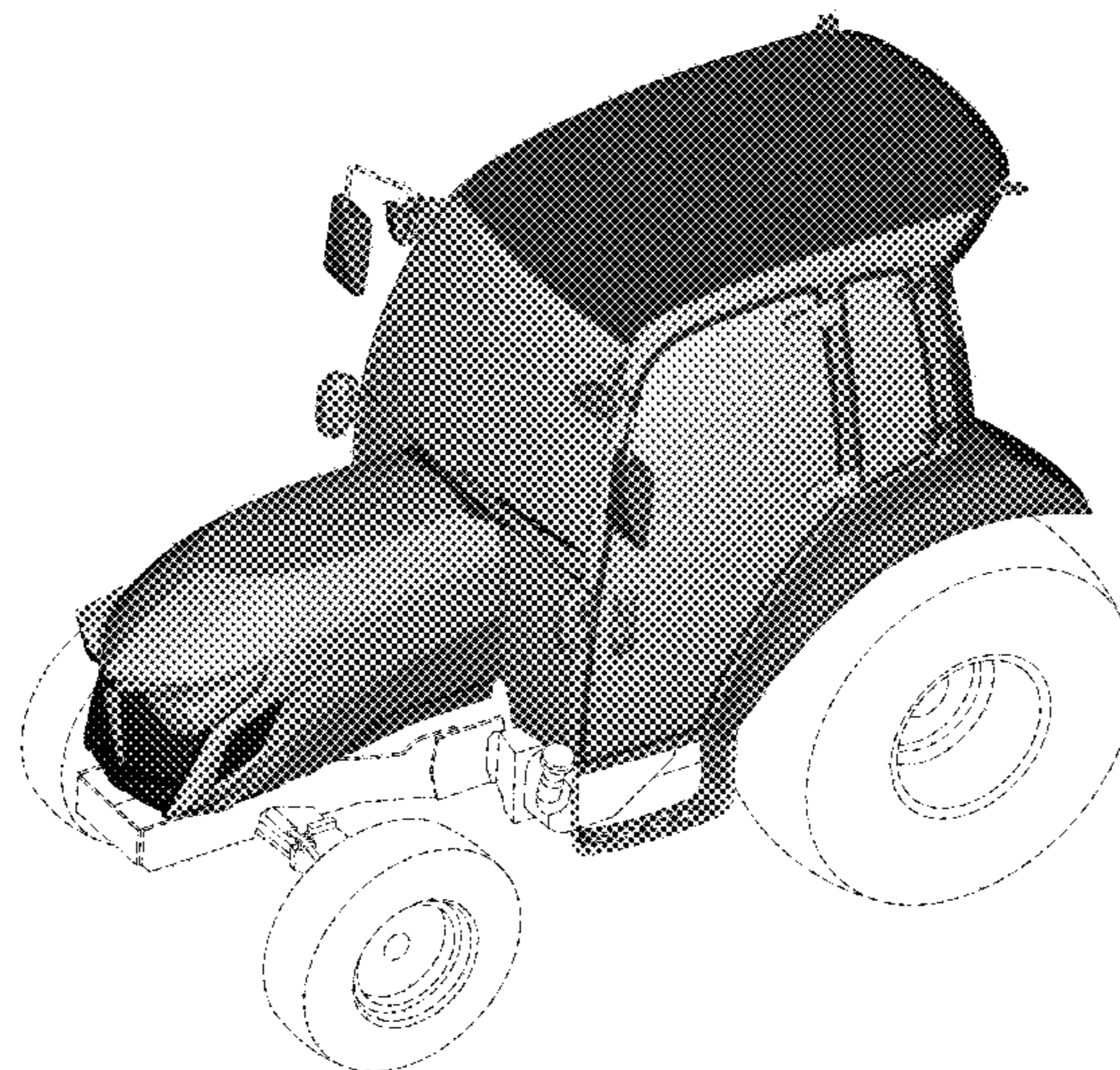
FIG. 5 is a bottom view thereof;

FIG. 6 is a front view thereof; and,

FIG. 7 is a rear view thereof.

The broken line showing of the wheels and lower area of the tractor is included for the purpose of illustrating portions of the tractor and forms no part of the claimed design.

1 Claim, 7 Drawing Sheets



(56)

References Cited

U.S. PATENT DOCUMENTS

D710,911 S *	8/2014	Iwata	D15/23
D720,369 S *	12/2014	Furukawa	D15/23
D729,851 S *	5/2015	Kushita	D15/23
D747,363 S *	1/2016	Okuyama	D15/22
D748,677 S *	2/2016	Kushita	D15/26
D749,144 S *	2/2016	Higashikawa	D15/23
D749,645 S *	2/2016	Okuyama	D15/26
D752,650 S *	3/2016	Margutti	D15/23
D753,730 S *	4/2016	Margutti	D15/23
D754,210 S *	4/2016	Margutti	D15/23
D756,421 S *	5/2016	Okuyama	D15/26
D759,128 S *	6/2016	Yang	D15/23
D759,730 S *	6/2016	Okuyama	D15/26

* cited by examiner

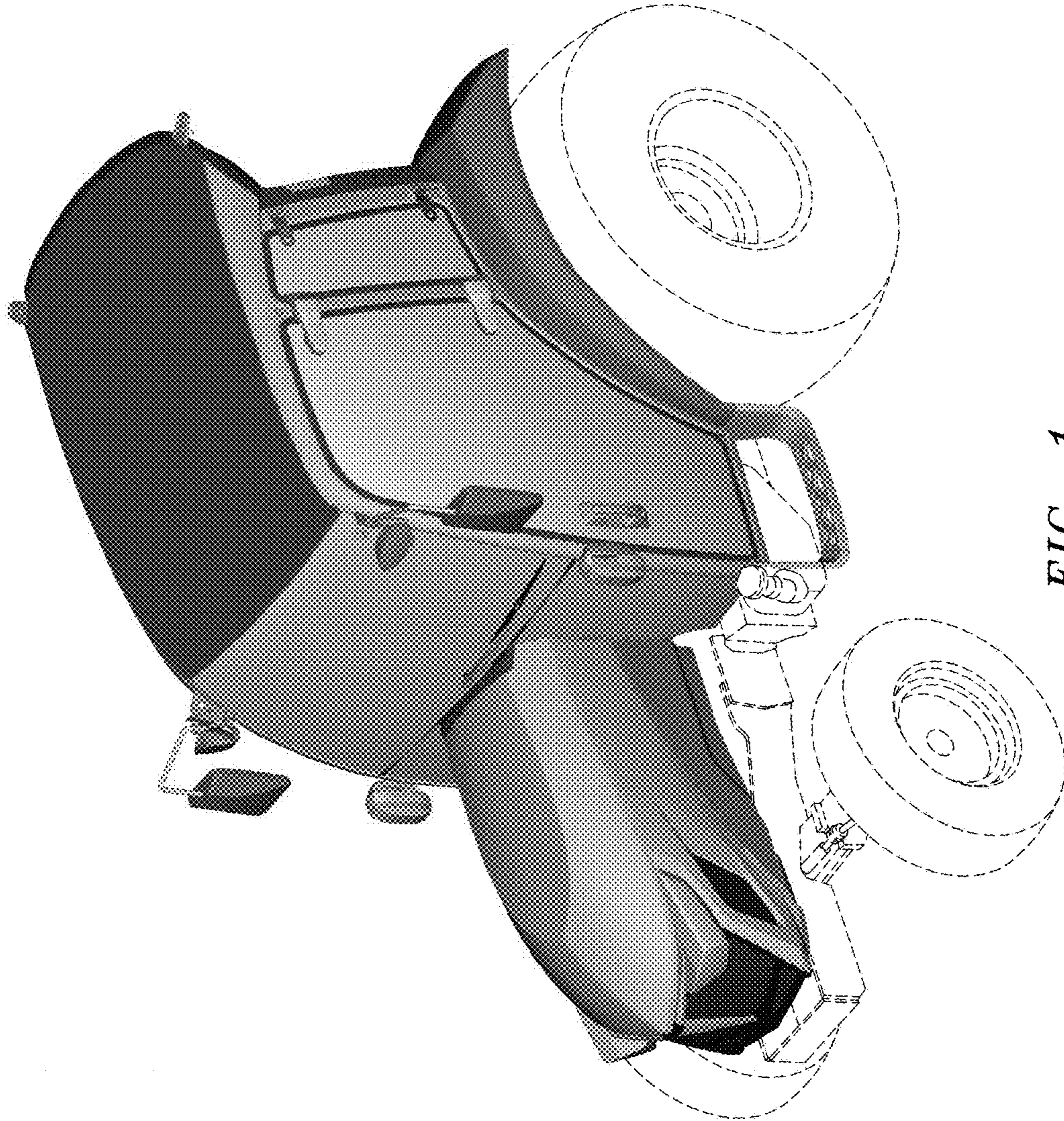


FIG. 1

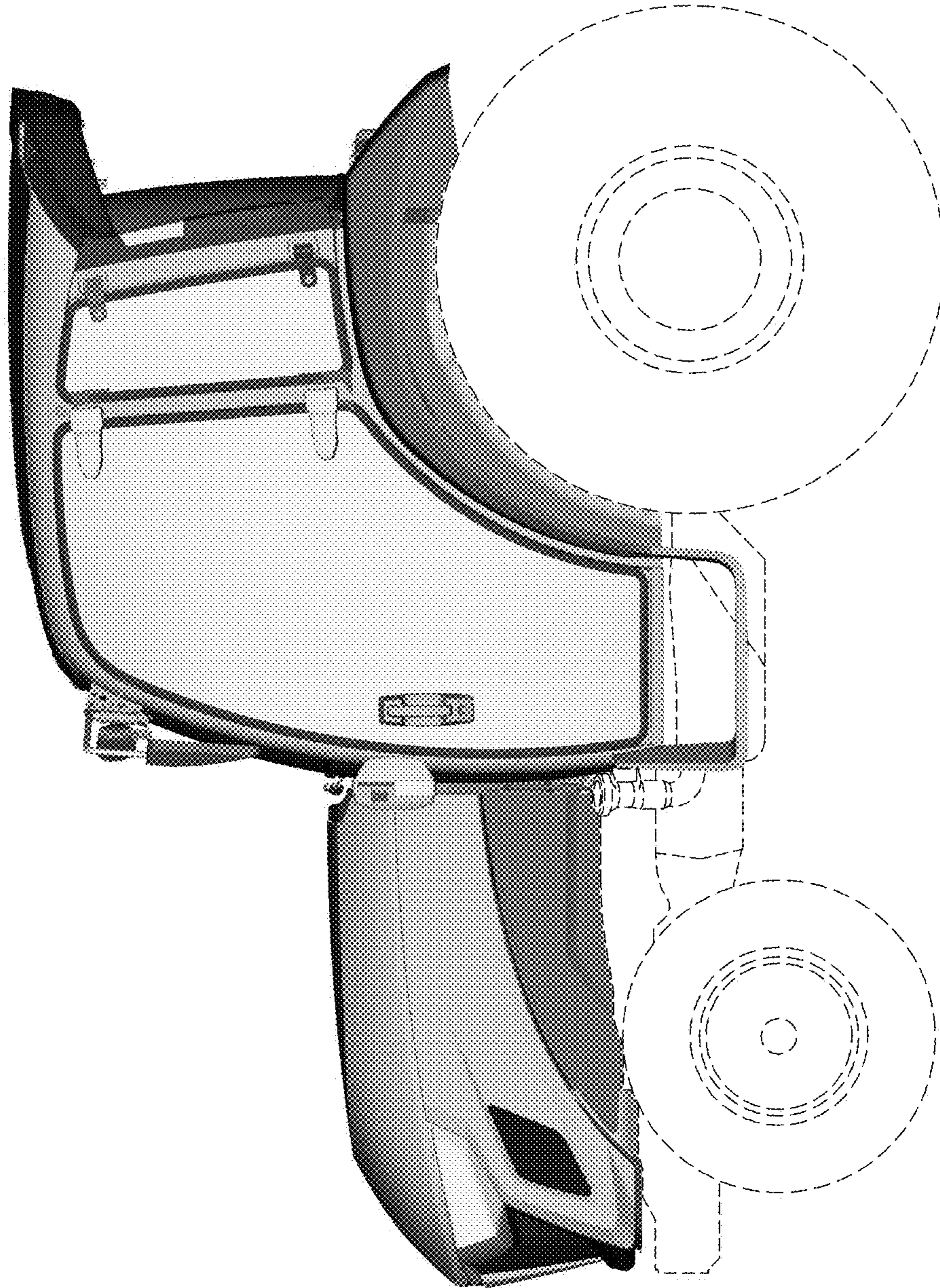


FIG. 2

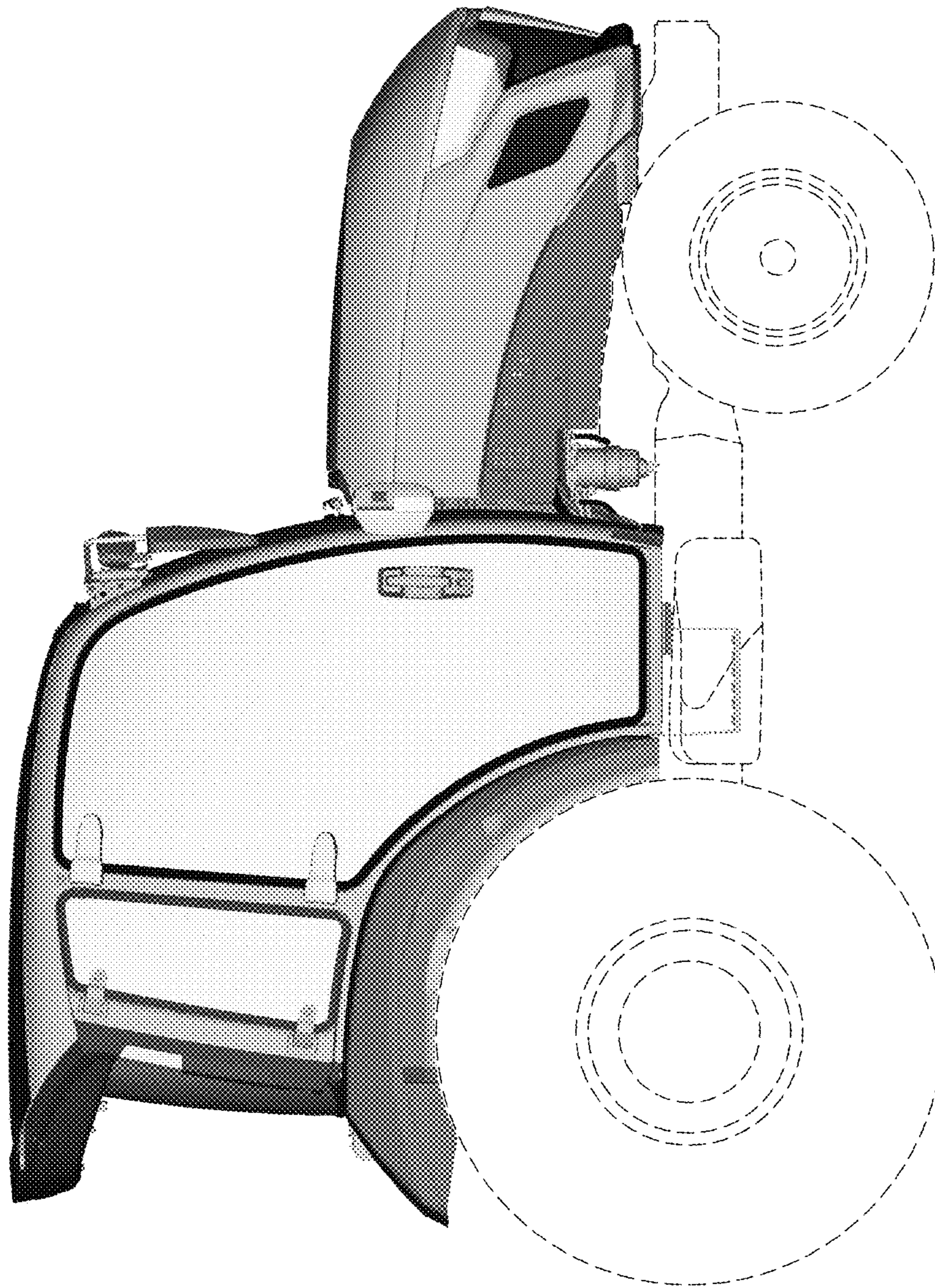


FIG. 3



FIG. 4

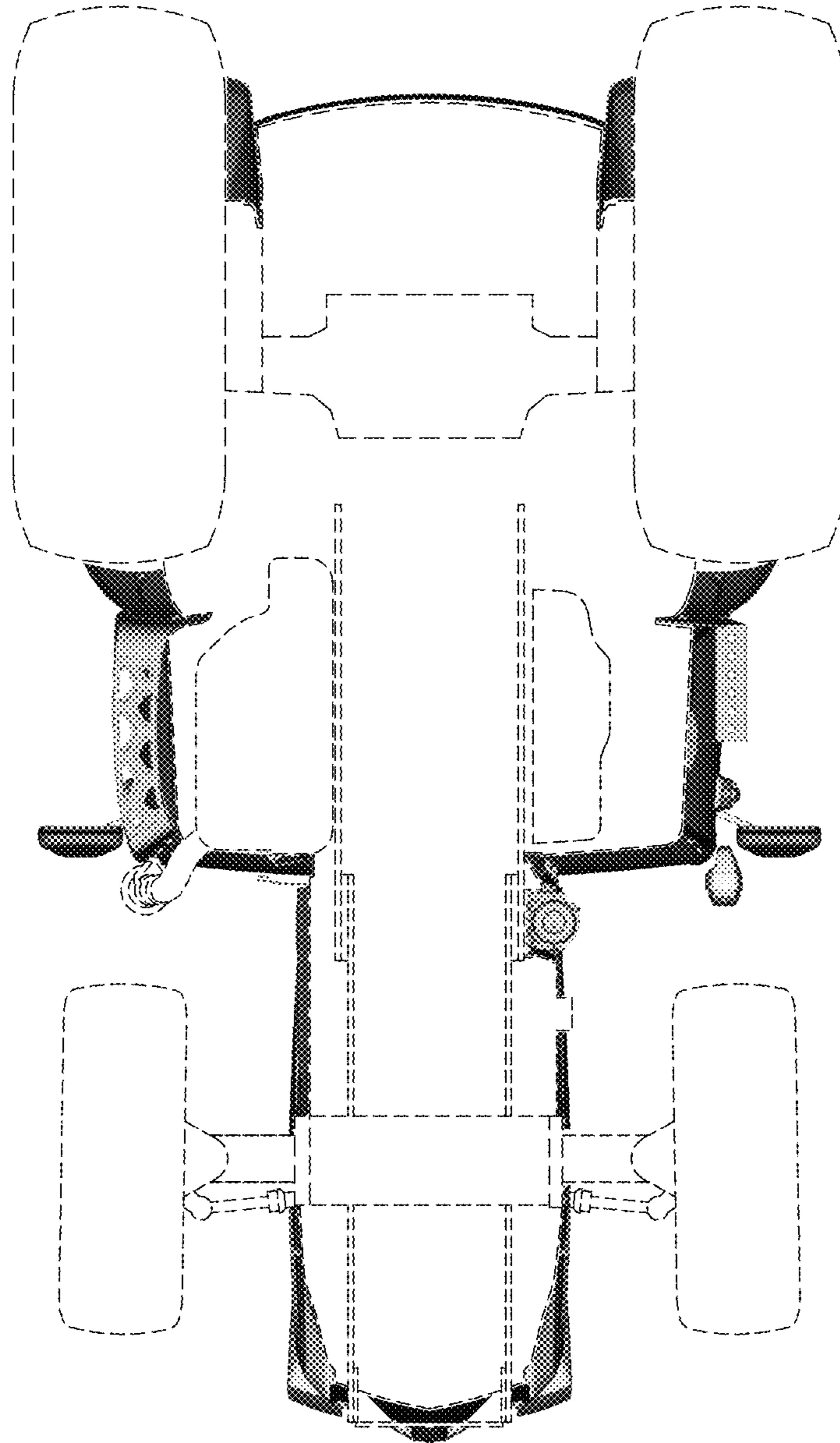


FIG. 5

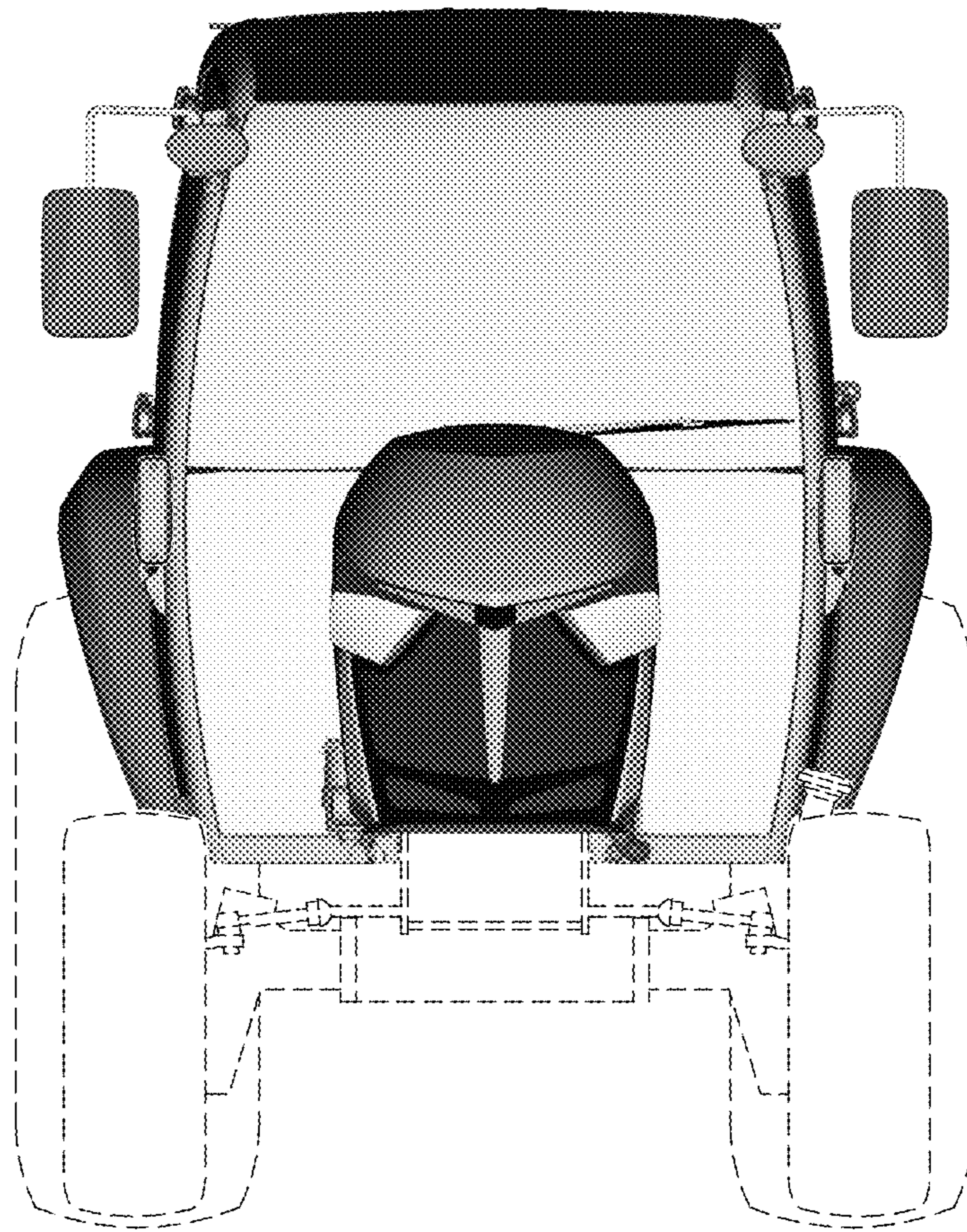


FIG. 6

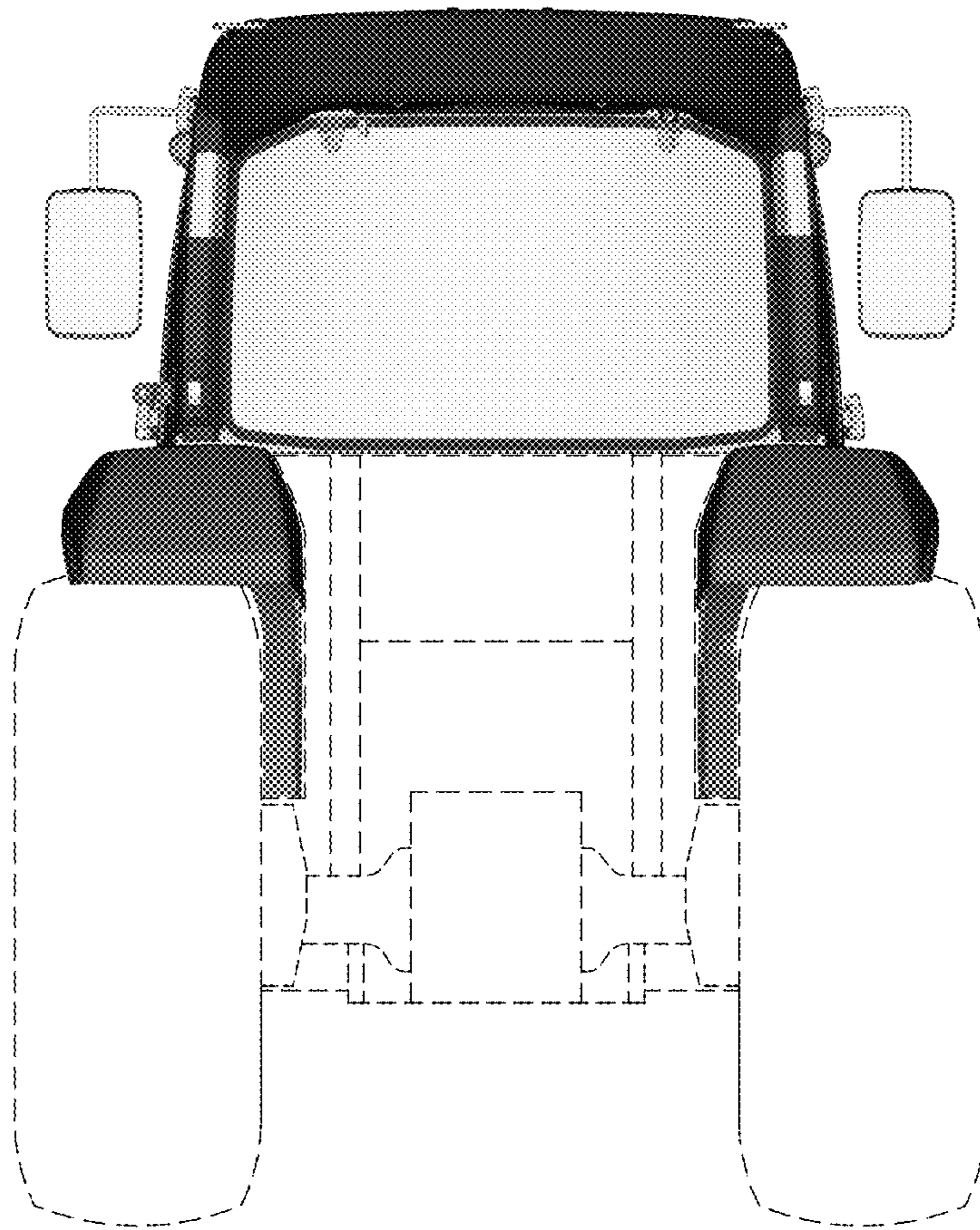


FIG. 7