



US00D785049S

(12) **United States Design Patent** (10) **Patent No.:** **US D785,049 S**
Hosozawa et al. (45) **Date of Patent:** **** Apr. 25, 2017**

(54) **RIDING LAWN MOWER**
(71) Applicant: **Kubota Corporation**, Osaka-shi (JP)
(72) Inventors: **Akari Hosozawa**, Sakai (JP); **Takeshi Komorida**, Sakai (JP); **Yoshihiro Kushita**, Sakai (JP); **Wataru Sasaki**, Sakai (JP)
(73) Assignee: **KUBOTA CORPORATION**, Osaka (JP)
(**) Term: **15 Years**

D363,939 S * 11/1995 Kato D15/15
D422,606 S * 4/2000 Katoh D15/15
D473,570 S * 4/2003 Kuwae D15/15
D533,882 S 12/2006 Higashikawa
D537,454 S 2/2007 Higashikawa et al.
D547,333 S * 7/2007 Nishi D15/15
D581,953 S * 12/2008 Matsumoto D15/15
D598,473 S * 8/2009 Ferrari D15/15
D605,668 S * 12/2009 Matsumoto D15/23
D622,292 S * 8/2010 Ryczek D15/15
D690,327 S 9/2013 Kim et al.
D691,642 S * 10/2013 Fujiwara D15/15
D707,260 S * 6/2014 Hippoliti D15/15
D748,675 S * 2/2016 Higashikawa D15/15

* cited by examiner

(21) Appl. No.: **29/561,396**
(22) Filed: **Apr. 15, 2016**

Primary Examiner — Mark Goodwin
(74) *Attorney, Agent, or Firm* — The Webb Law Firm

(30) **Foreign Application Priority Data**

Oct. 16, 2015 (JP) 2015-022919
(51) **LOC (10) Cl.** **15-03**
(52) **U.S. Cl.**
USPC **D15/15**
(58) **Field of Classification Search**
USPC D15/14–18, 23, 28, 31; 56/13.3, 13.4,
56/16.1, 17.4, 15.8, 15.9, 16.7, 202, 255,
56/294, 320.1, 320.2; 180/900, 273, 68.6,
180/69.21
CPC A01D 34/63; A01D 34/64; A01D 43/0635;
A01D 2101/00
See application file for complete search history.

(57) **CLAIM**

The ornamental design for a riding lawn mower, as shown and described.

(56) **References Cited**

U.S. PATENT DOCUMENTS

D345,166 S * 3/1994 Kamlukin D15/15
D353,146 S * 12/1994 Yaguchi D15/15

DESCRIPTION

FIG. 1 is a front view of a riding lawn mower showing our new design;
FIG. 2 is a rear view thereof;
FIG. 3 is a left side view thereof;
FIG. 4 is a right side view thereof;
FIG. 5 is a top view thereof;
FIG. 6 is a bottom view thereof;
FIG. 7 is an upper left front perspective view thereof; and,
FIG. 8 is an upper right rear perspective view thereof.

1 Claim, 8 Drawing Sheets

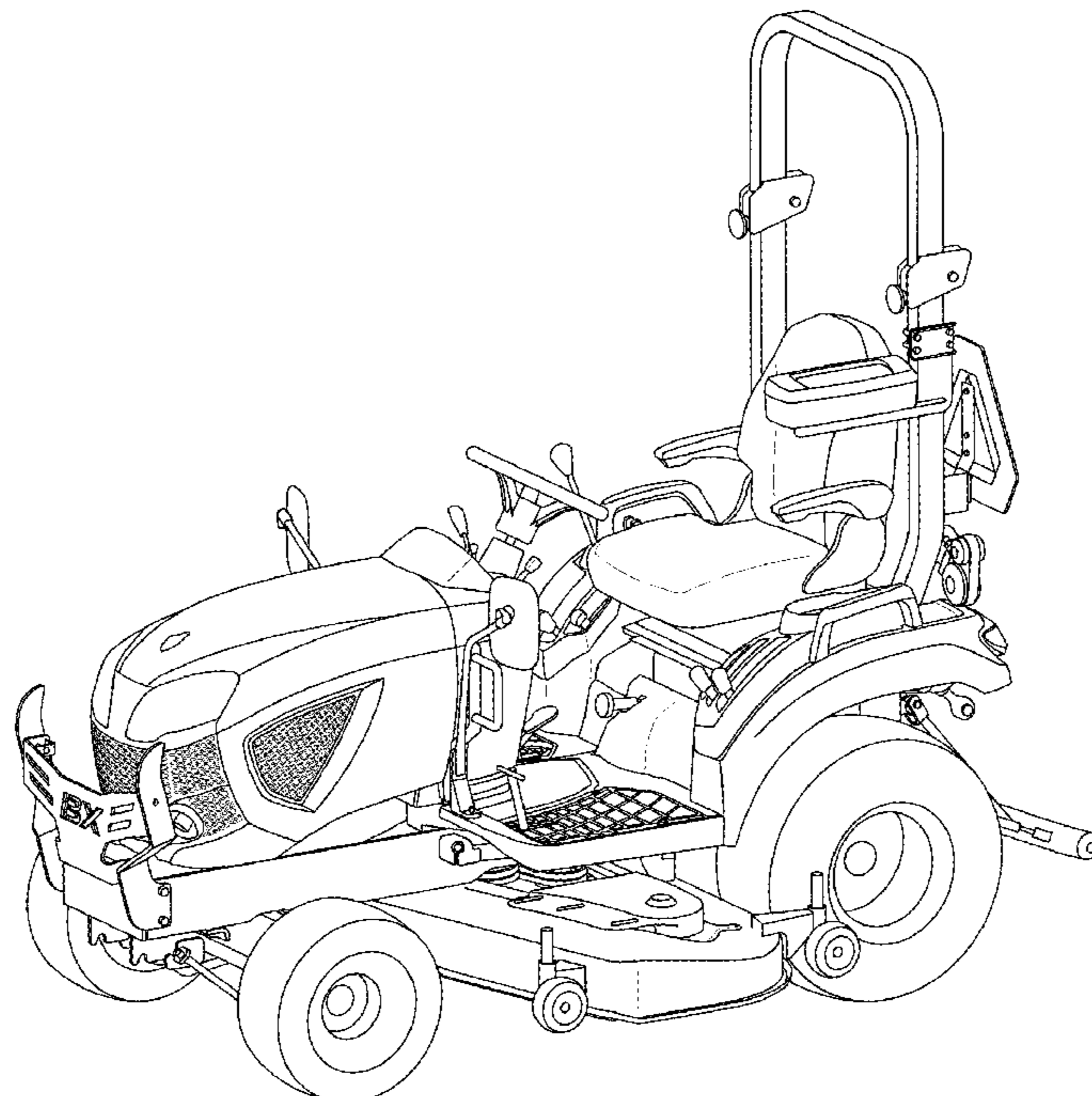


Fig.1

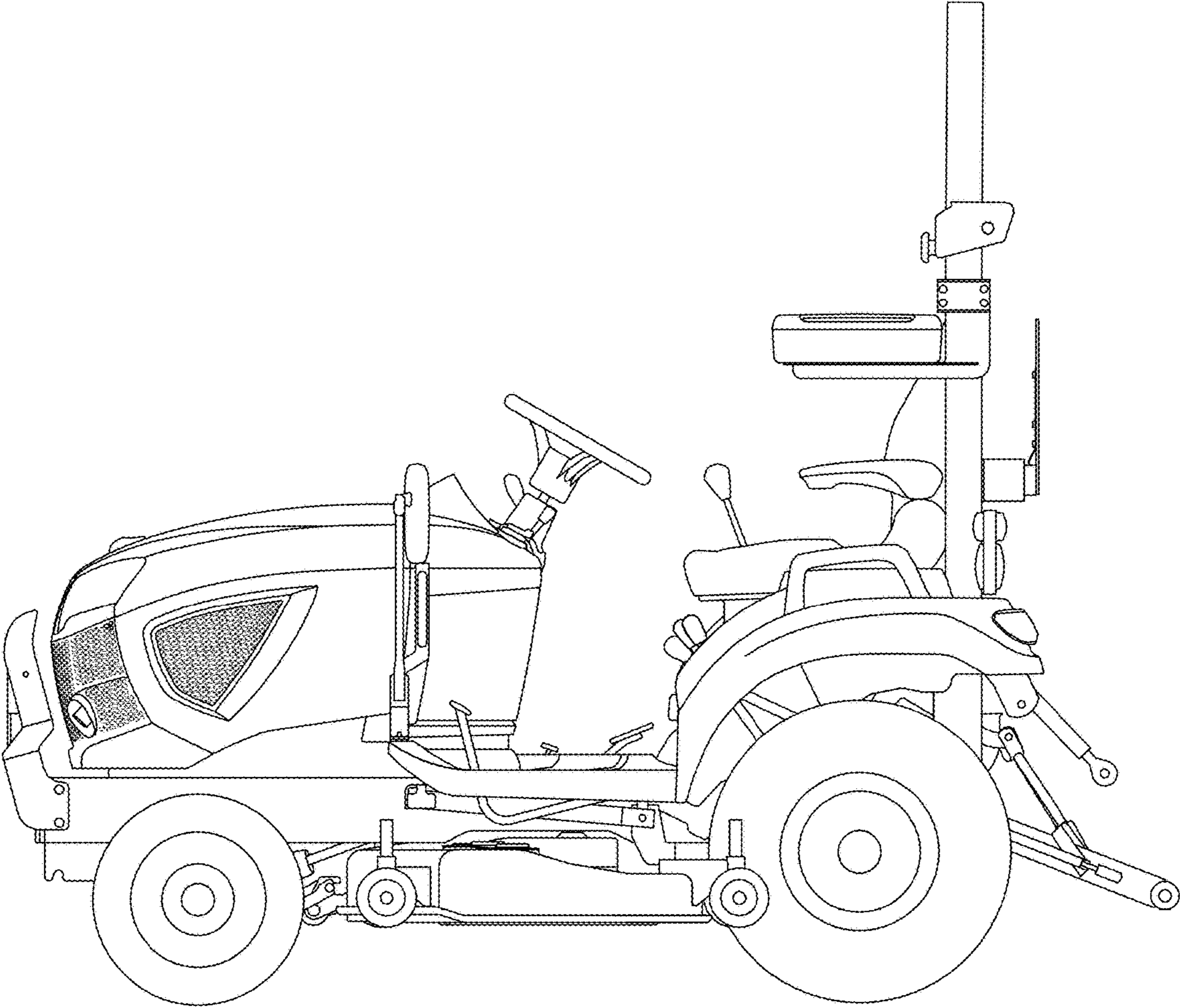


Fig.2

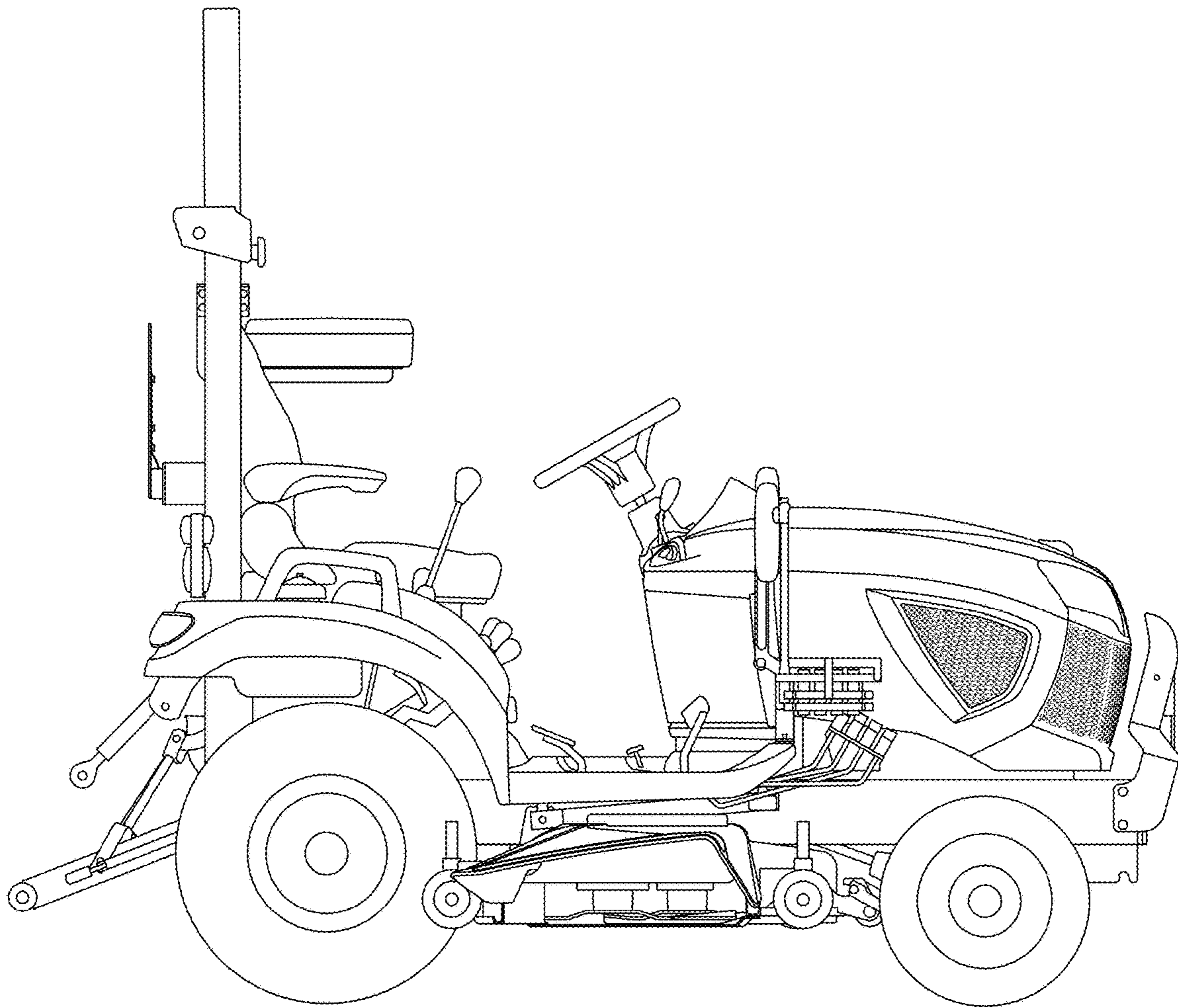


Fig.3

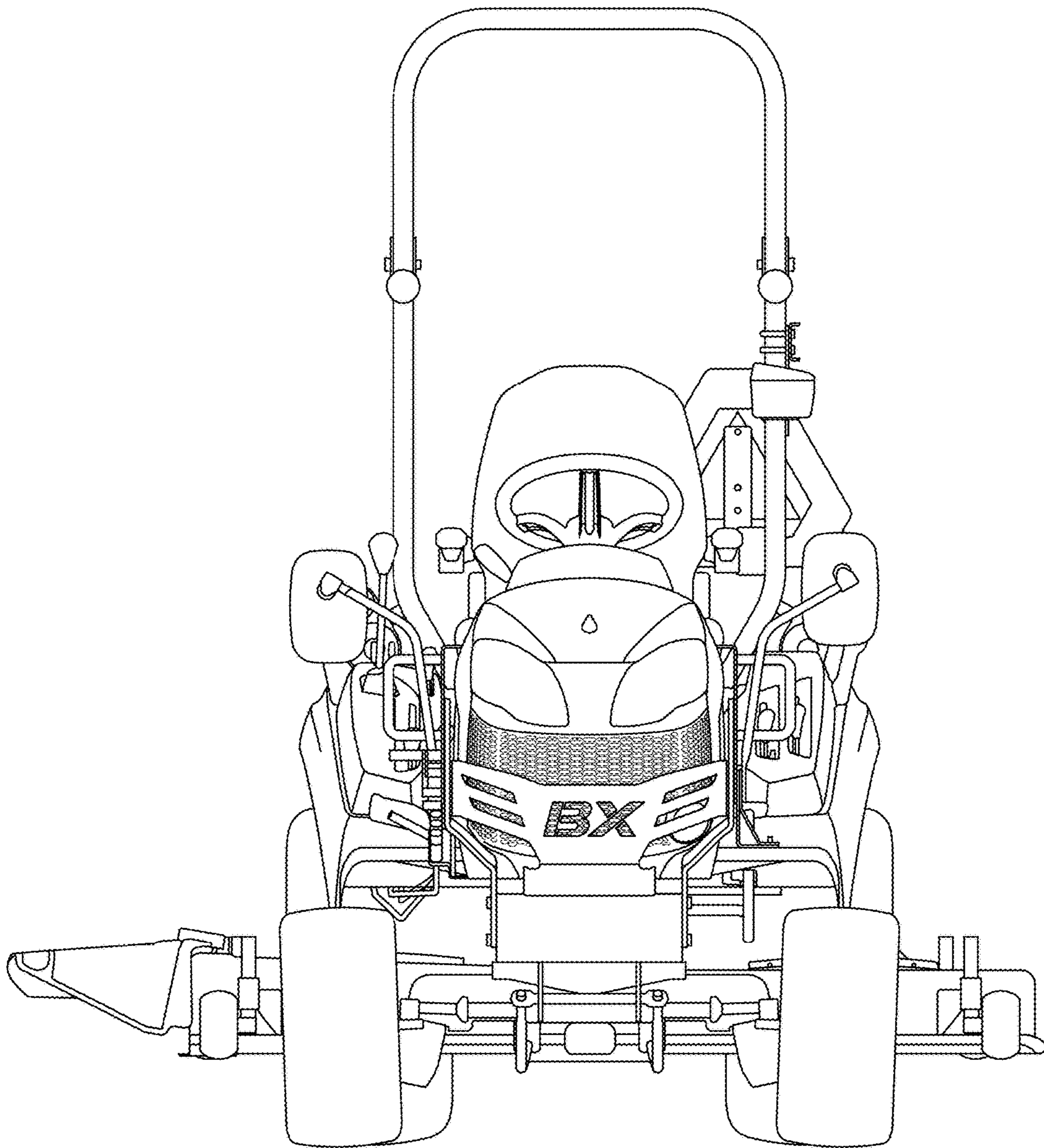


Fig.4

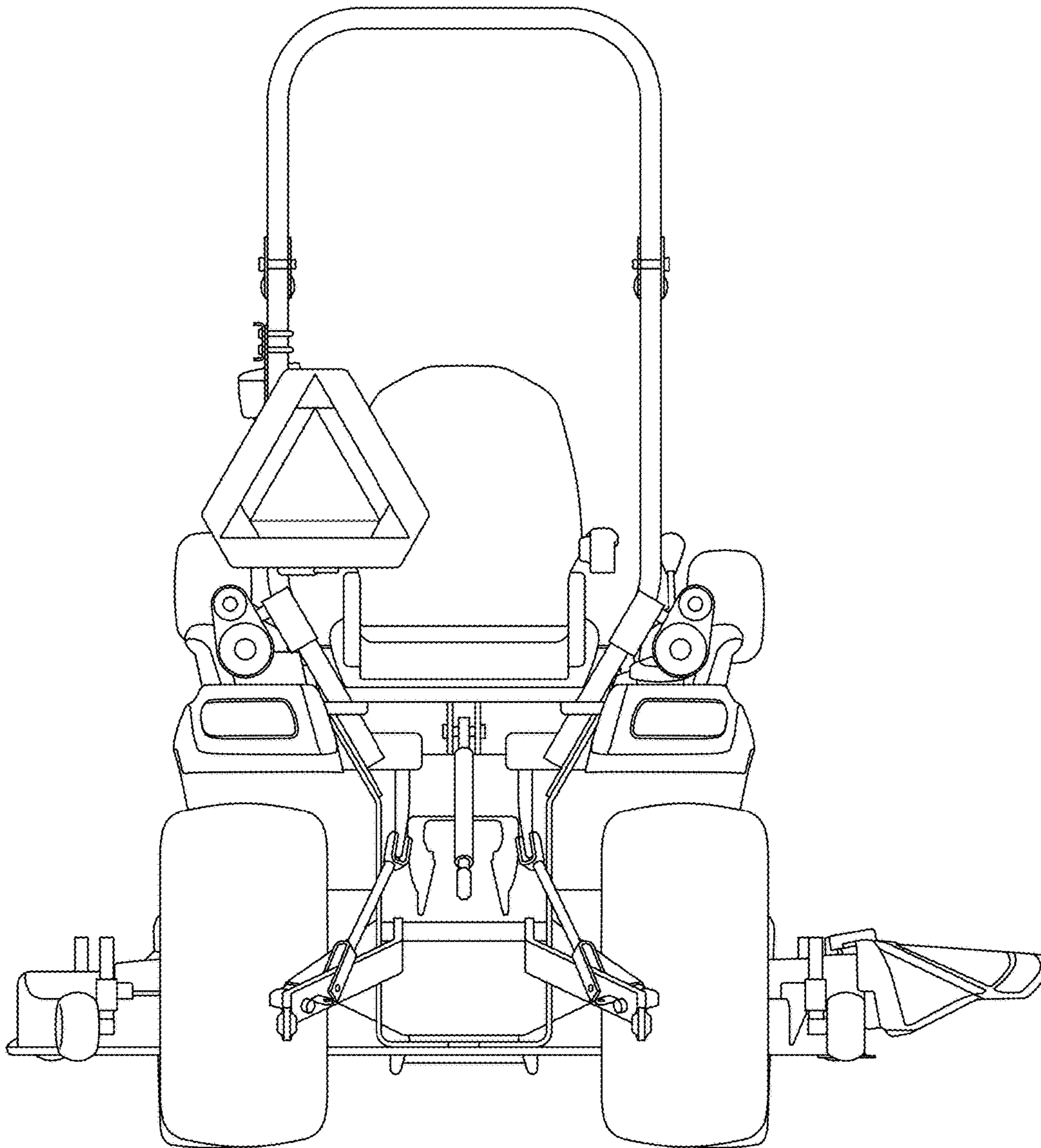


Fig.5

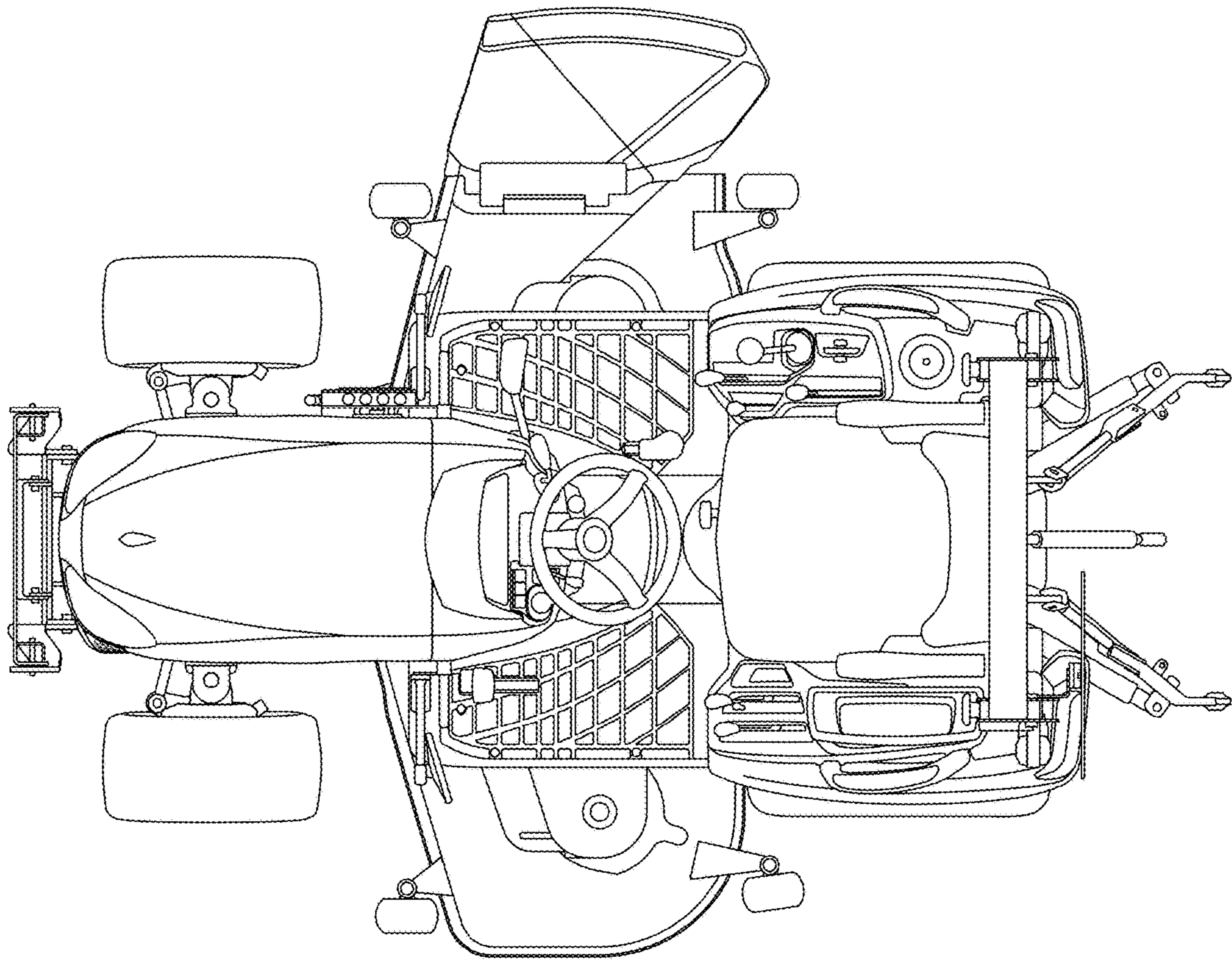


Fig.6

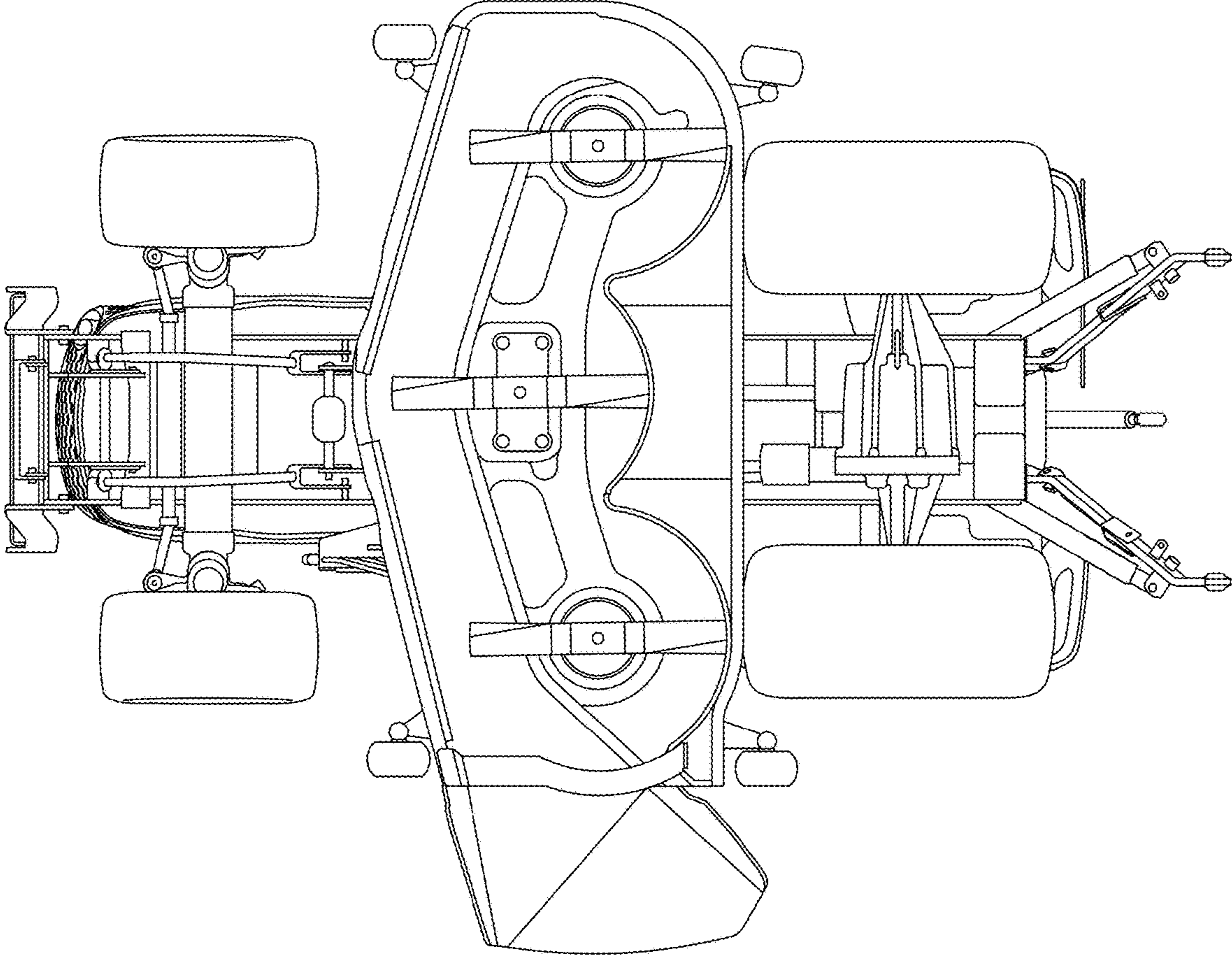


Fig.7

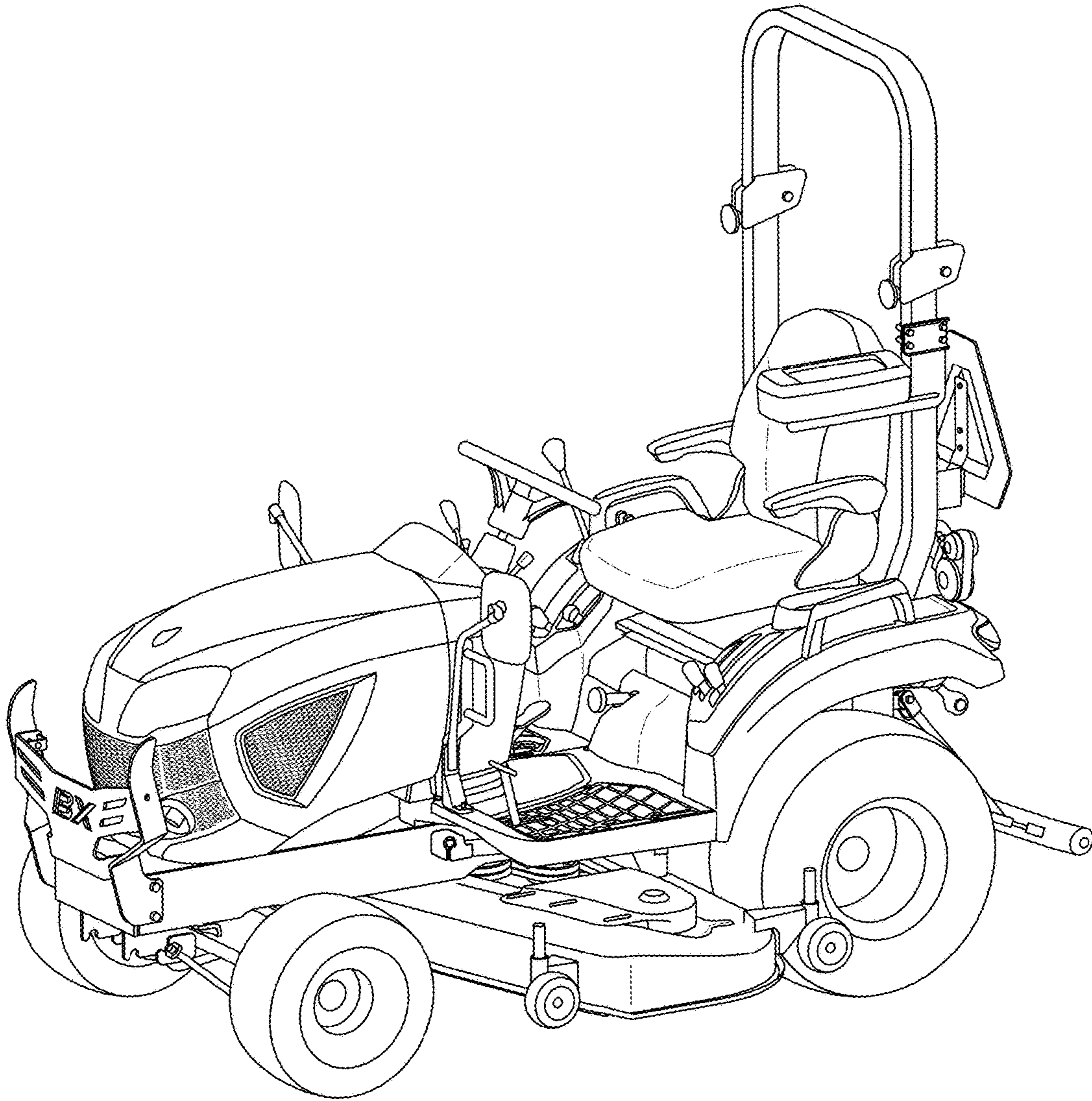


Fig.8

