



US00D785048S

(12) **United States Design Patent**
Zhang et al.

(10) **Patent No.:** **US D785,048 S**
(45) **Date of Patent:** **** Apr. 25, 2017**

- (54) **LAWN MOWER**
- (71) Applicant: **CHERVON (HK) LIMITED**, Wanchai (HK)
- (72) Inventors: **Su Zhang**, Nanjing (CN); **Derek Smith**, Nanjing (CN)
- (73) Assignee: **Chervon (HK) Limited**, Wanchai (HK)
- (**) Term: **15 Years**
- (21) Appl. No.: **29/560,692**
- (22) Filed: **Apr. 8, 2016**
- (51) **LOC (10) Cl.** **15-03**
- (52) **U.S. Cl.**
USPC **D15/14**
- (58) **Field of Classification Search**
USPC D15/10, 14-18; 56/12.8, 12.7, 13.4, 56/16.7, 17.5, 202, 254, 255, 294, 11.4, 56/320.1, 320.2, 249, 252, 11.9, 17.1, 56/17.4, 295; 280/43.17
CPC A01D 42/04; A01D 42/00; A01D 2101/00; A01D 34/63; A01D 43/063
See application file for complete search history.

D500,054 S *	12/2004	Jager	D15/14
D508,923 S *	8/2005	Henssler	D15/14
D508,924 S *	8/2005	Henssler	D15/14
D544,501 S *	6/2007	Chung Lee	D15/14
D620,029 S *	7/2010	Baetica	D15/14
D620,030 S *	7/2010	Baetica	D15/14
D628,598 S *	12/2010	Neeley	D15/14
D646,698 S *	10/2011	Park	D15/14
D648,354 S *	11/2011	Hattori	D15/14
D652,846 S *	1/2012	Stratford	D15/14
D653,265 S *	1/2012	Stratford	D15/14
D665,823 S *	8/2012	Hannig	D15/14
D723,068 S *	2/2015	Qiu	D15/14
D725,155 S *	3/2015	McKay	D15/14
D726,227 S *	4/2015	Aglassinger	D15/14

* cited by examiner

Primary Examiner — Mark Goodwin
(74) *Attorney, Agent, or Firm* — Greenberg Traurig, LLP

(57) **CLAIM**

What is claimed is the ornamental design for a lawn mower, as shown and described.

DESCRIPTION

FIG. 1 is a front perspective view of a lawn mower showing our new design;
FIG. 2 is a left side elevational view thereof;
FIG. 3 is a right side elevational view thereof;
FIG. 4 is a top plan view thereof;
FIG. 5 is a front side elevational view thereof; and,
FIG. 6 is a rear side elevational view thereof.

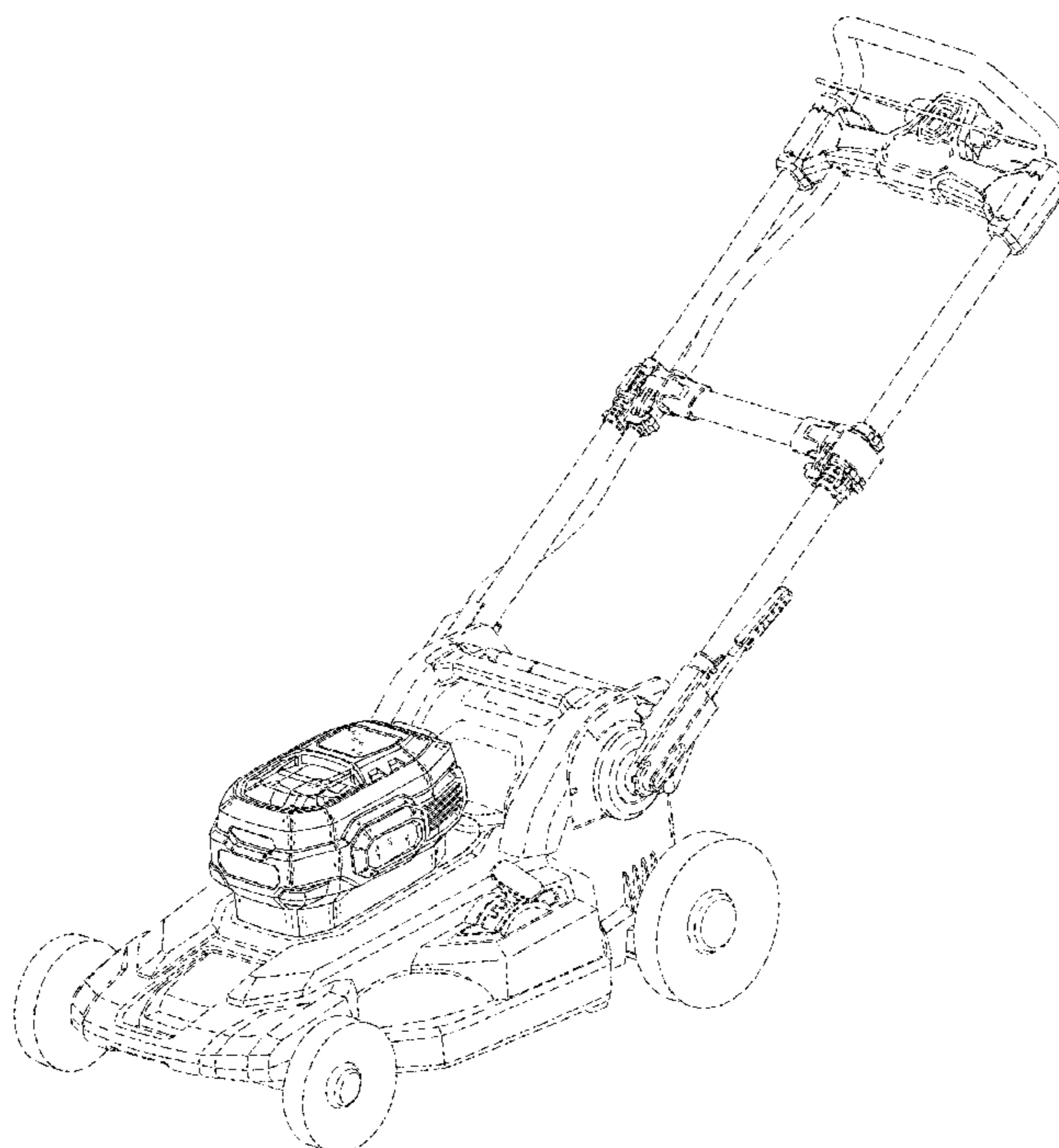
Any elements shown in dotted and/or dashed lines are provided for illustrative purposes only and form no part of the design claimed. Any surface shading is used solely to show the character or contour of the surfaces represented.

1 Claim, 6 Drawing Sheets

(56) **References Cited**

U.S. PATENT DOCUMENTS

4,149,363 A *	4/1979	Woelffer	A01D 43/063
			56/16.6
4,399,647 A *	8/1983	Soldavini	A01D 43/063
			56/202
D424,070 S *	5/2000	Danthois	D15/14
D426,836 S *	6/2000	Sirois	D15/14
D497,918 S *	11/2004	Osborne	D15/14



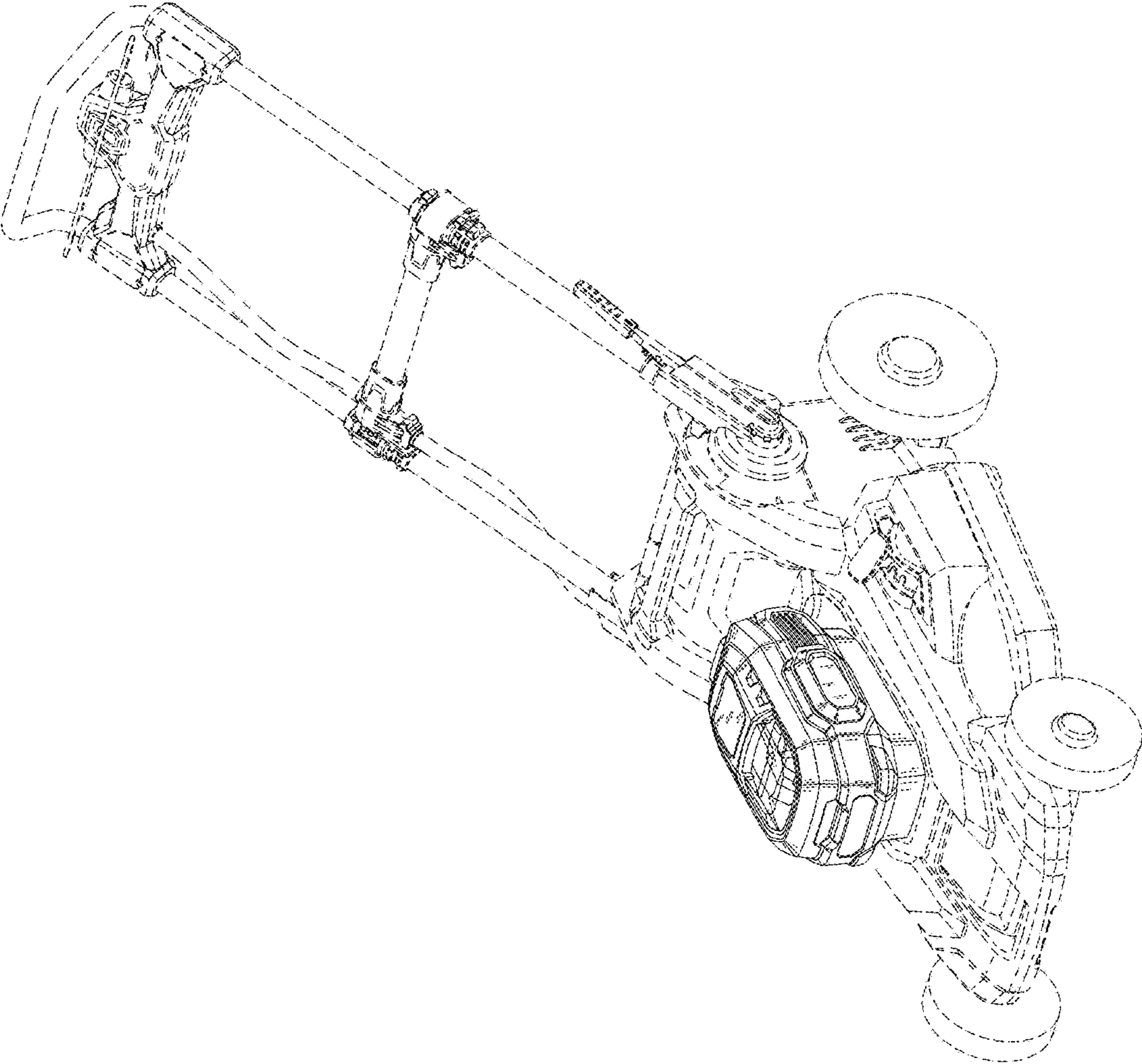


Fig. 1

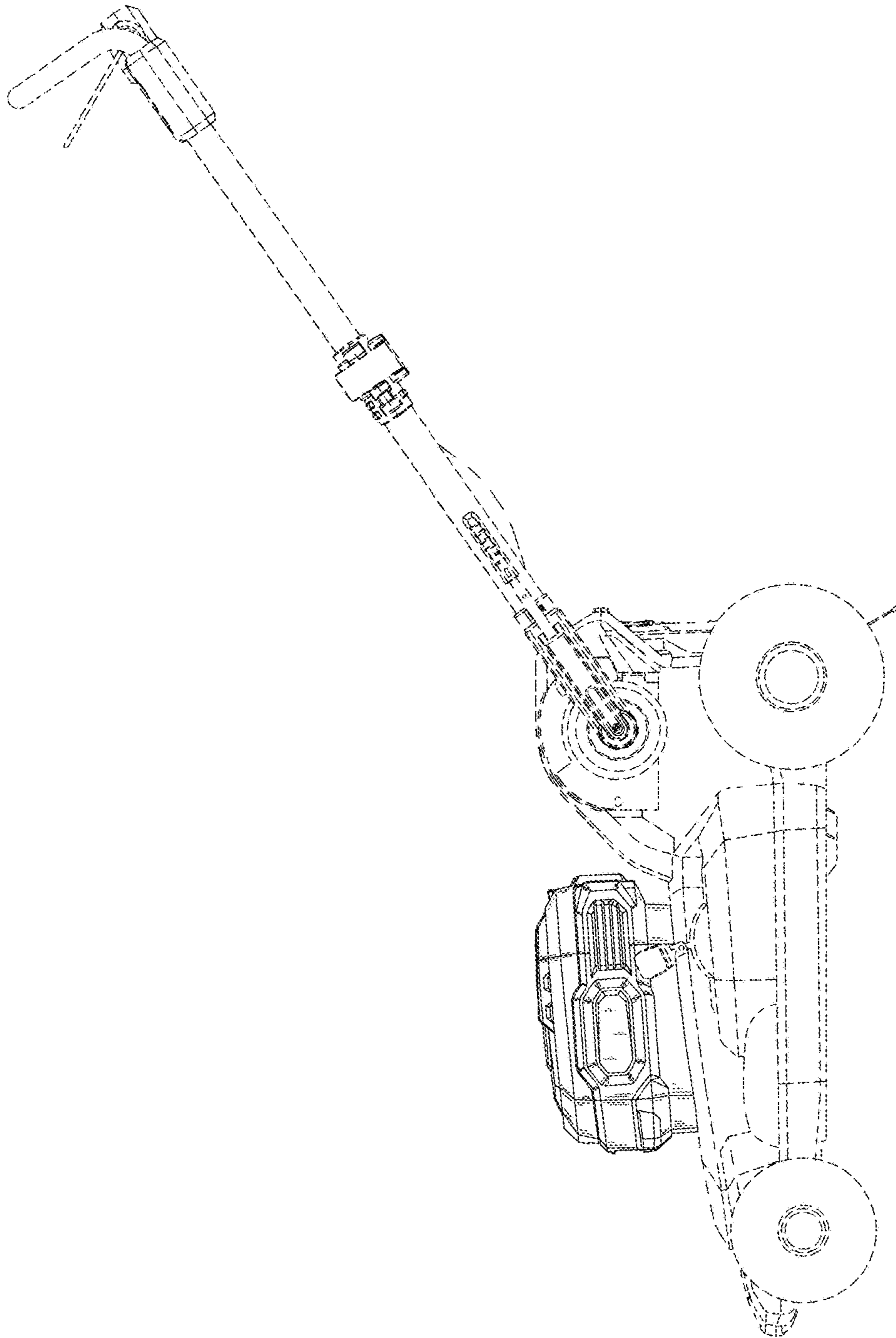


Fig. 2

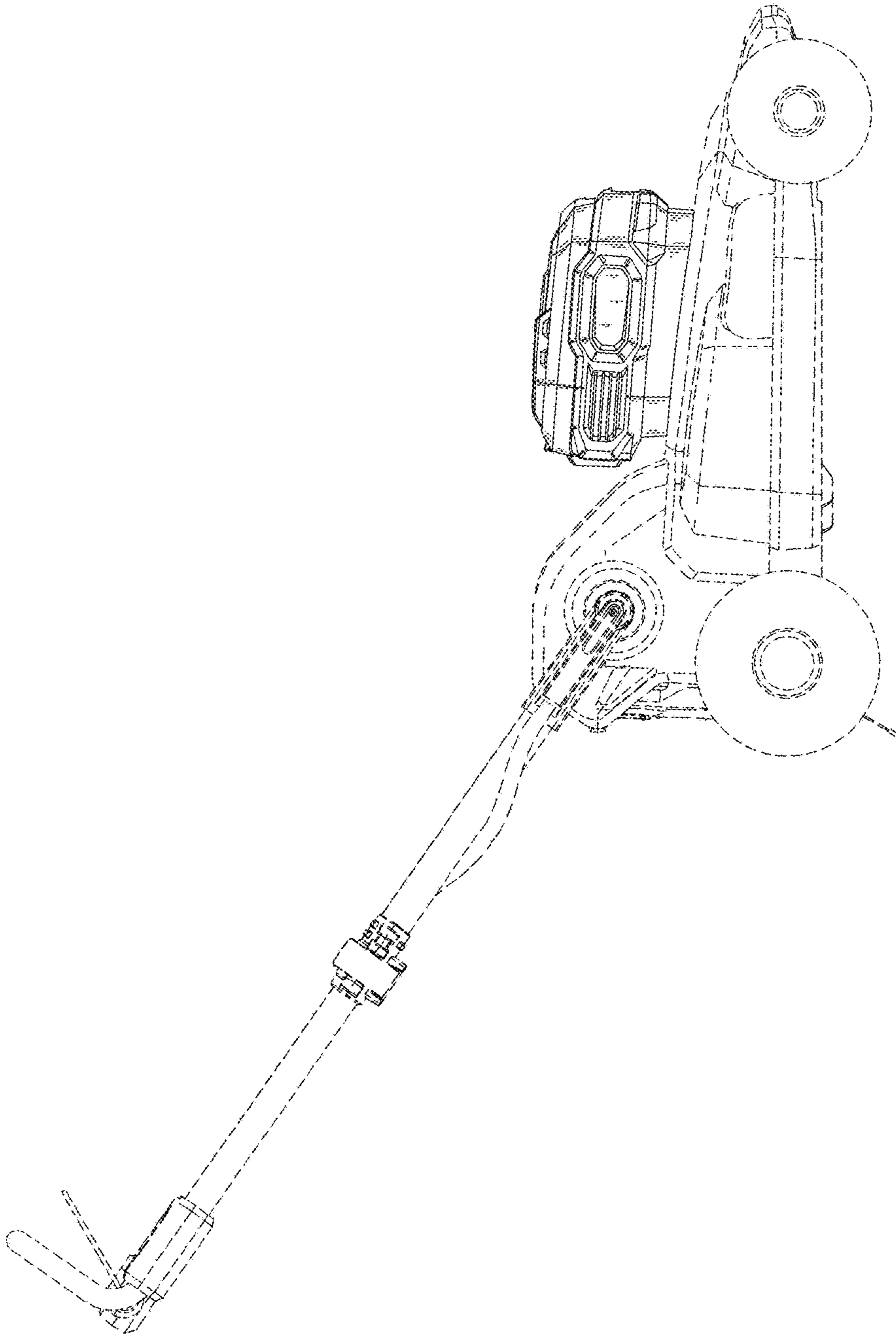


Fig. 3

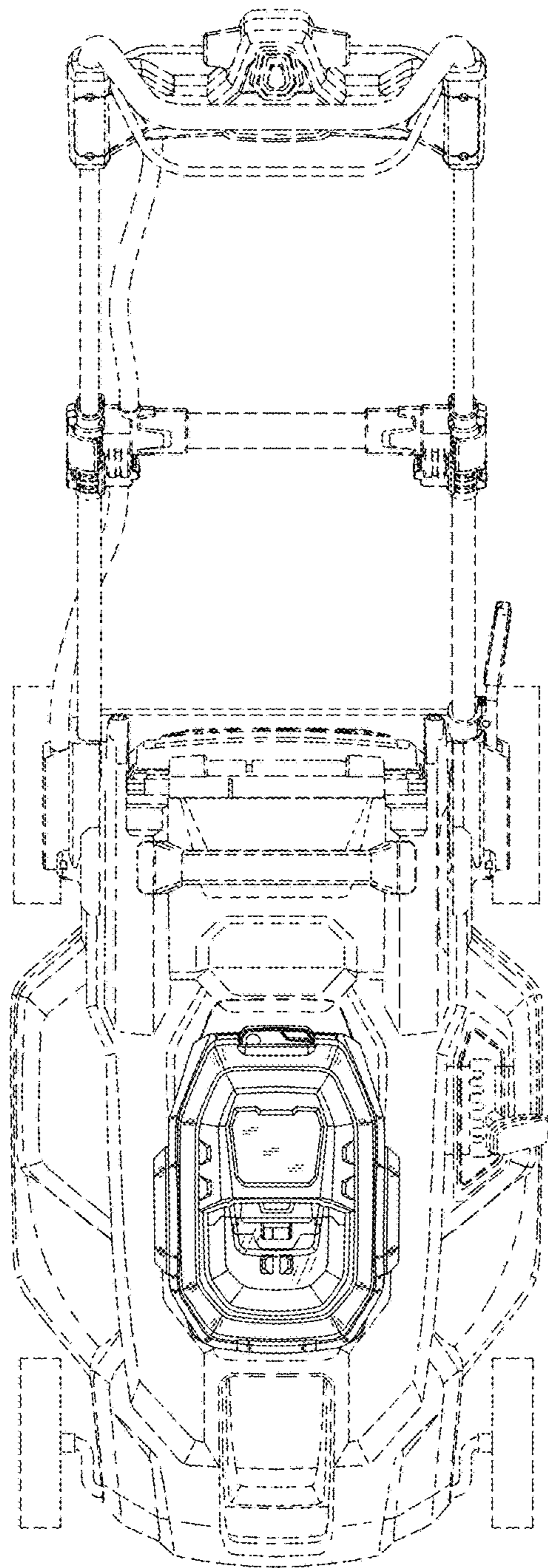


Fig. 4

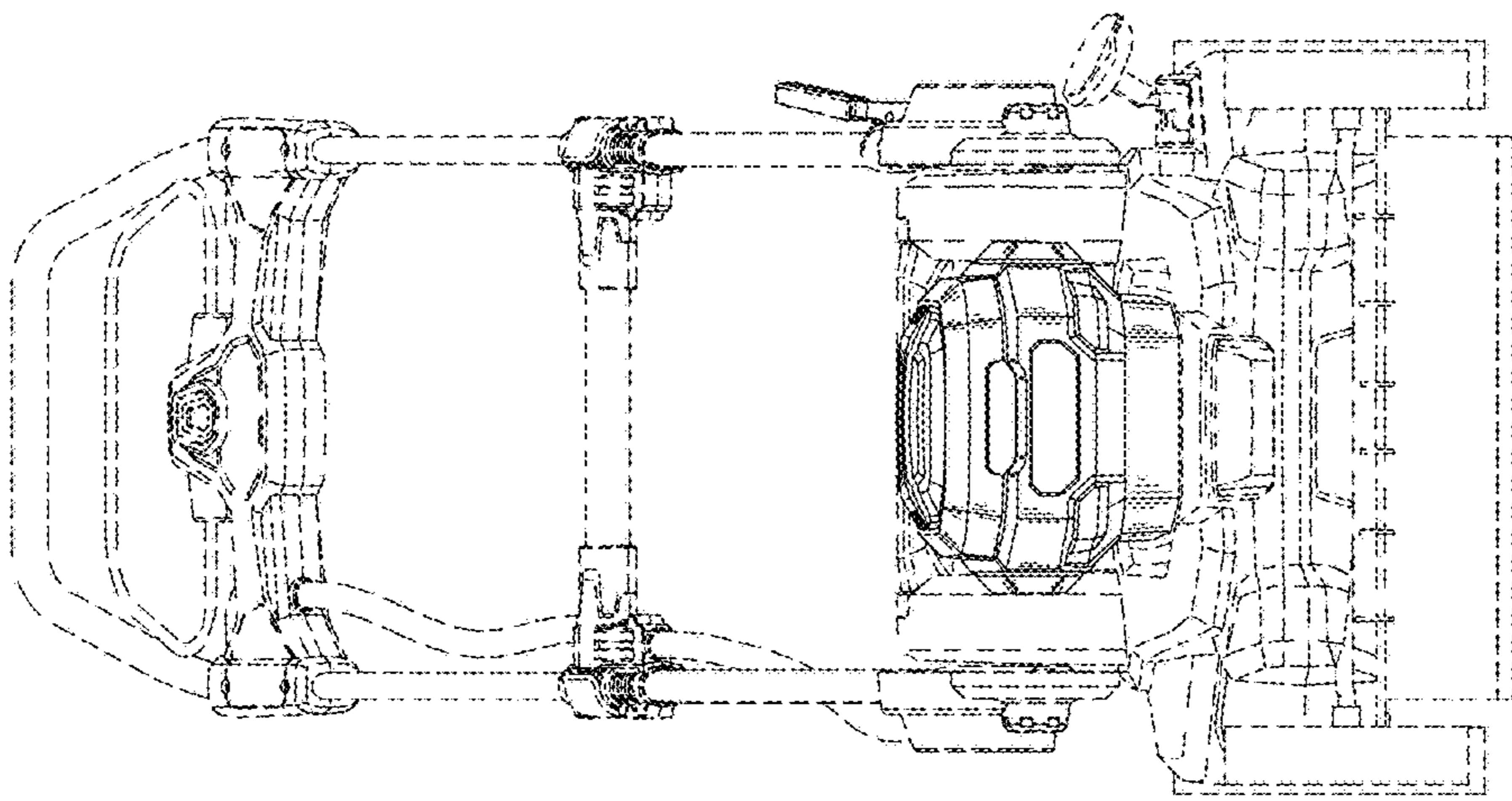


Fig. 5

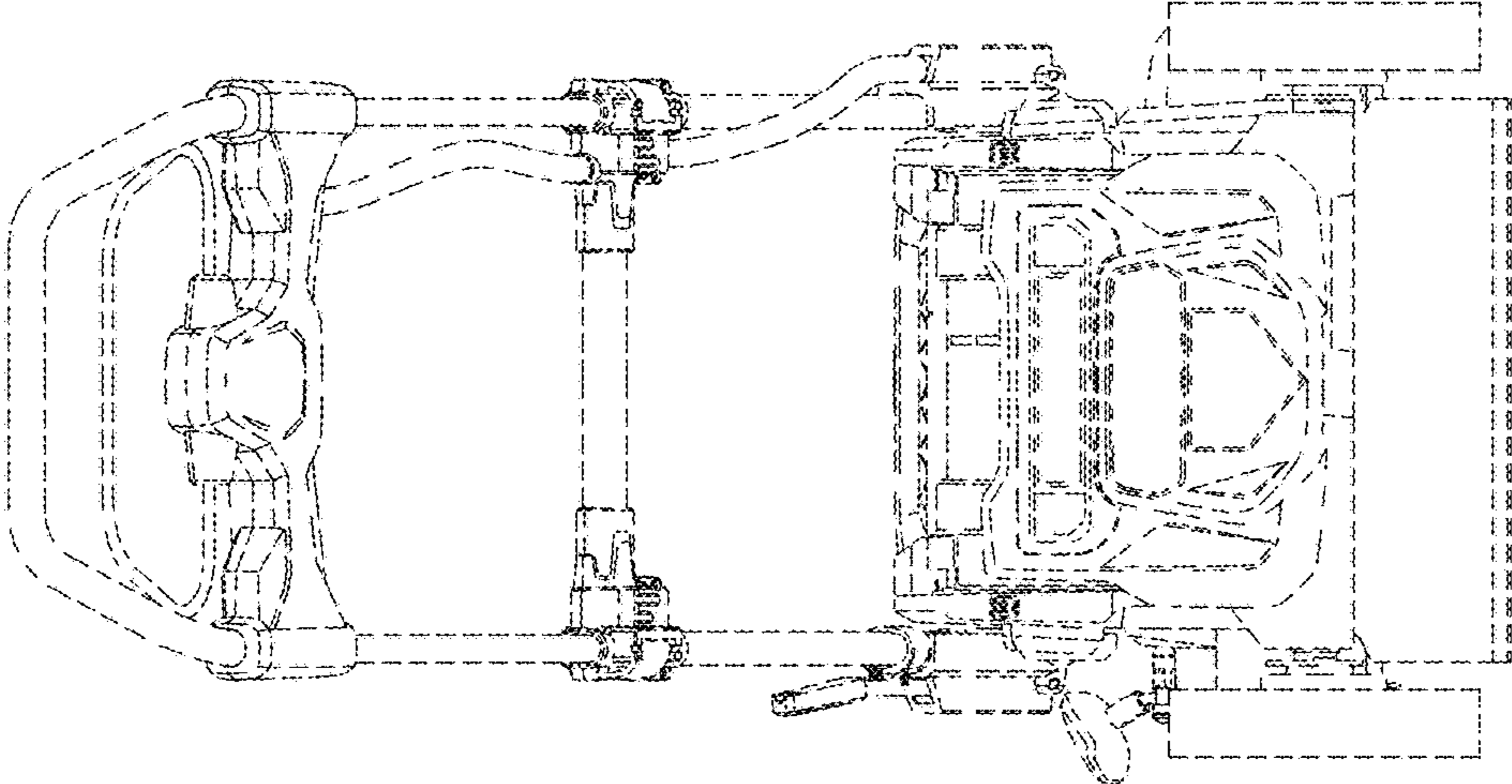


Fig. 6