



US00D785006S

(12) **United States Design Patent** (10) **Patent No.:** **US D785,006 S**
Ma et al. (45) **Date of Patent:** **** Apr. 25, 2017**

(54) **DISPLAY SCREEN FOR MEDICAL IMAGING APPARATUS WITH TOUCH GRAPHICAL USER INTERFACE**

(71) Applicant: **Siemens Healthcare GmbH**, Erlangen (DE)

(72) Inventors: **Yi Zhi Ma**, Shanghai (CN); **Jun Wei Qiu**, Shanghai (CN); **Xiao Bo Song**, Shanghai (CN); **Jian Jun Tang**, Shanghai (CN); **Guo Feng Zhao**, Shanghai (CN)

(73) Assignee: **Siemens Healthcare GmbH**, Erlangen (DE)

(**) Term: **15 Years**

(21) Appl. No.: **29/538,606**

(22) Filed: **Sep. 4, 2015**

(30) **Foreign Application Priority Data**

Mar. 4, 2015 (CN) 2015 3 0053482

(51) **LOC (10) Cl.** **14-03**

(52) **U.S. Cl.**
USPC **D14/485**

(58) **Field of Classification Search**
USPC D14/485-495; D18/26, 31-33; D20/11, D20/12, 23-25, 29-32, 36-38; 715/702, 715/764, 838
CPC G06F 3/048; G06F 3/0481; G06F 3/0482; G06F 3/04817; G06F 3/04812
See application file for complete search history.

(56) **References Cited**

U.S. PATENT DOCUMENTS

D675,241 S * 1/2013 Oda D14/486
D714,315 S * 9/2014 Pereira D14/485

D714,813 S * 10/2014 Oda D14/485
D731,539 S * 6/2015 Omata D14/489
D746,465 S * 12/2015 Du D24/158
D759,086 S * 6/2016 Aoshima D14/487
D760,727 S * 7/2016 Aoshima D14/485
D763,894 S * 8/2016 Lamparelli D14/486
D764,497 S * 8/2016 Seo D14/485
D764,516 S * 8/2016 Lamparelli D14/486
D765,115 S * 8/2016 Pierson D14/486
D766,254 S * 9/2016 Kawakami D14/485

* cited by examiner

Primary Examiner — Rhea Shields

(74) *Attorney, Agent, or Firm* — Schiff Hardin LLP

(57) **CLAIM**

The ornamental design of a display screen for medical imaging apparatus with touch graphical user interface, as shown and described.

DESCRIPTION

The patent or application file contains at least one drawing executed in color. Copies of this patent or patent application publication with color drawing(s) will be provided by the Office upon request and payment of the necessary fee.

FIG. 1 is a front elevation view of the display screen for medical imaging apparatus with touch graphical user interface;

FIG. 2 is a perspective view thereof; and,

FIG. 3 is an enlarged front elevation view shown without the display screen for medical imaging apparatus.

In FIGS. 1 and 2, the broken lines are for the purpose of illustrating a display screen for medical imaging apparatus with touch graphical user interface and form no part of the claimed design.

1 Claim, 3 Drawing Sheets
(3 of 3 Drawing Sheet(s) Filed in Color)

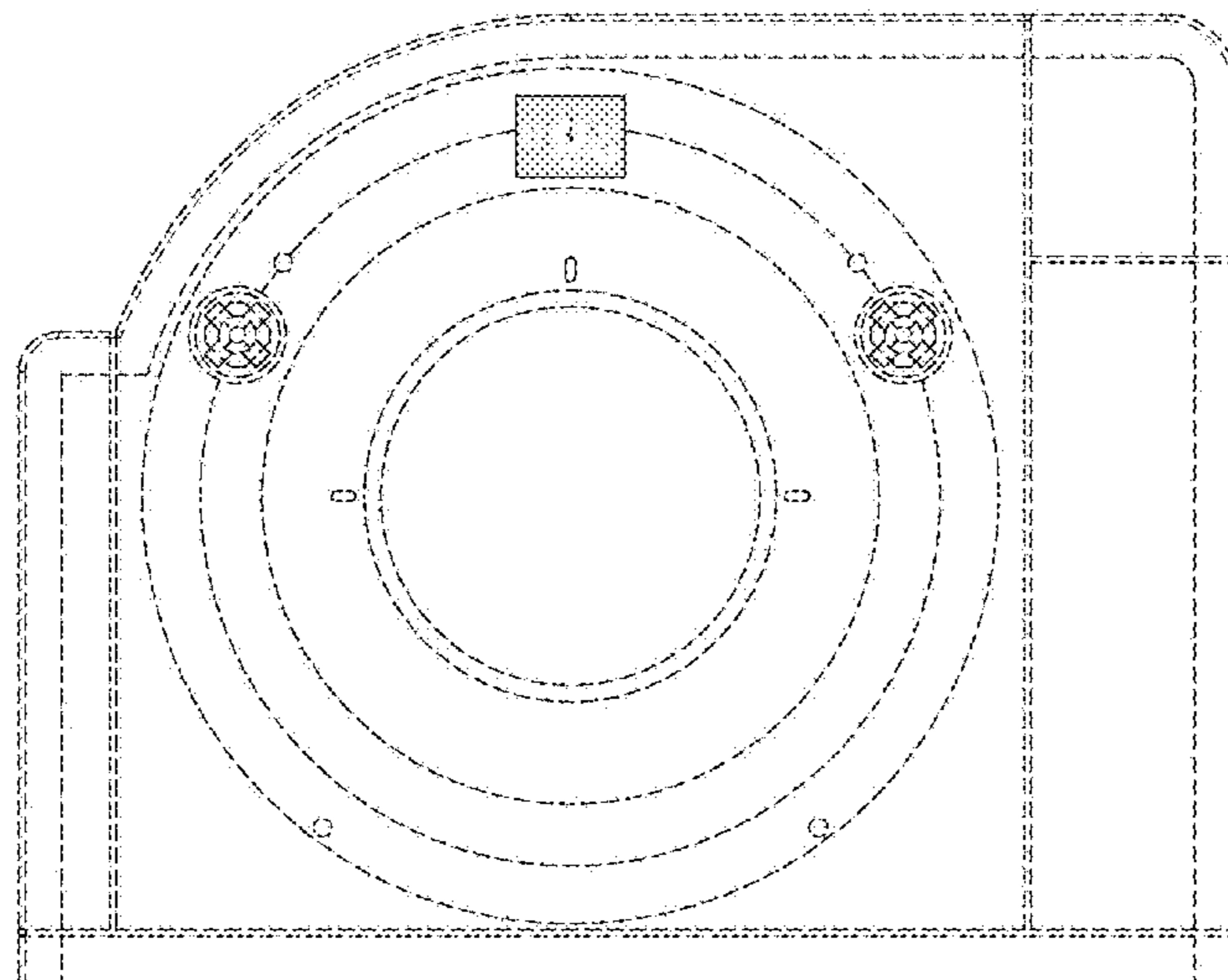


FIG.1

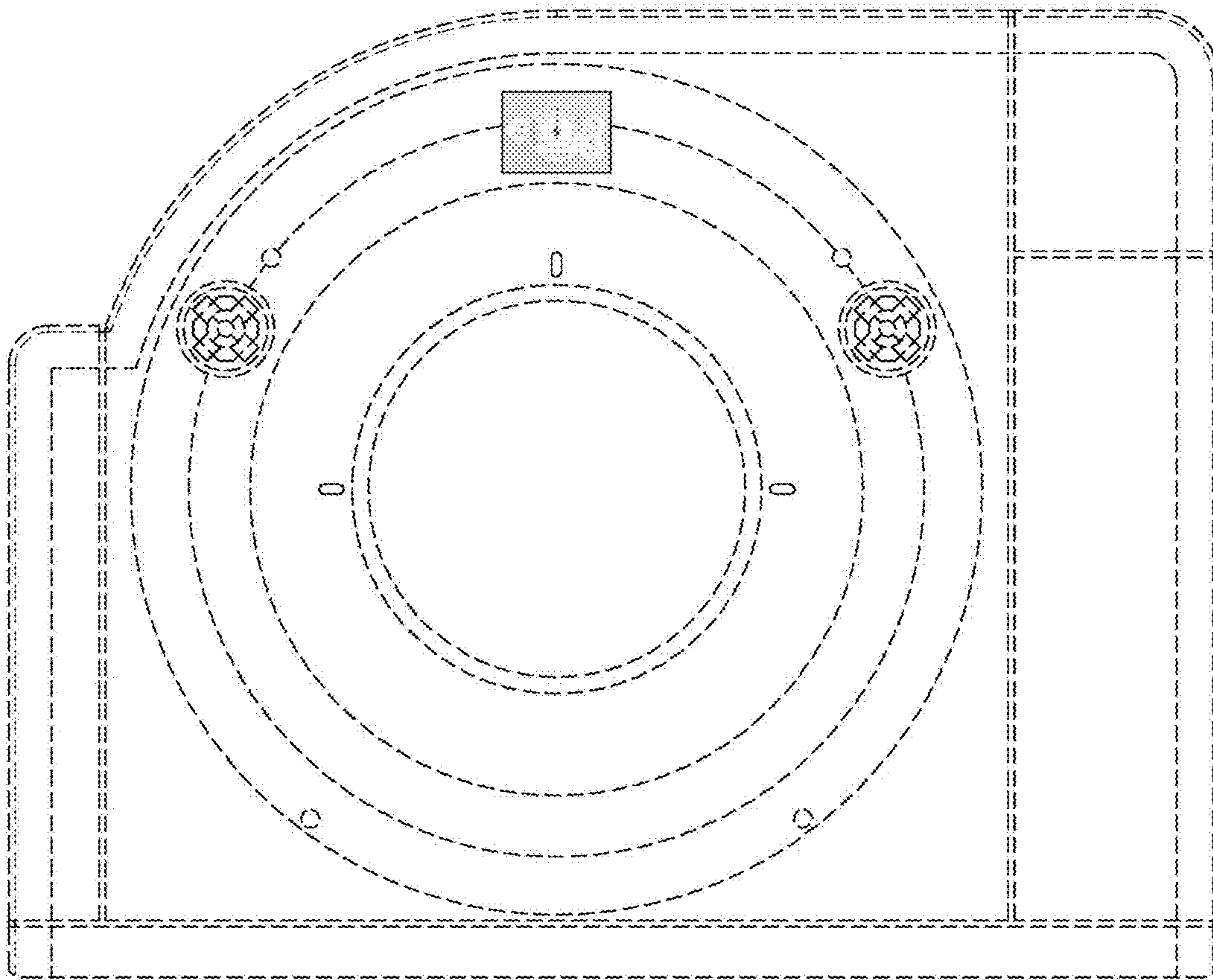


FIG.2

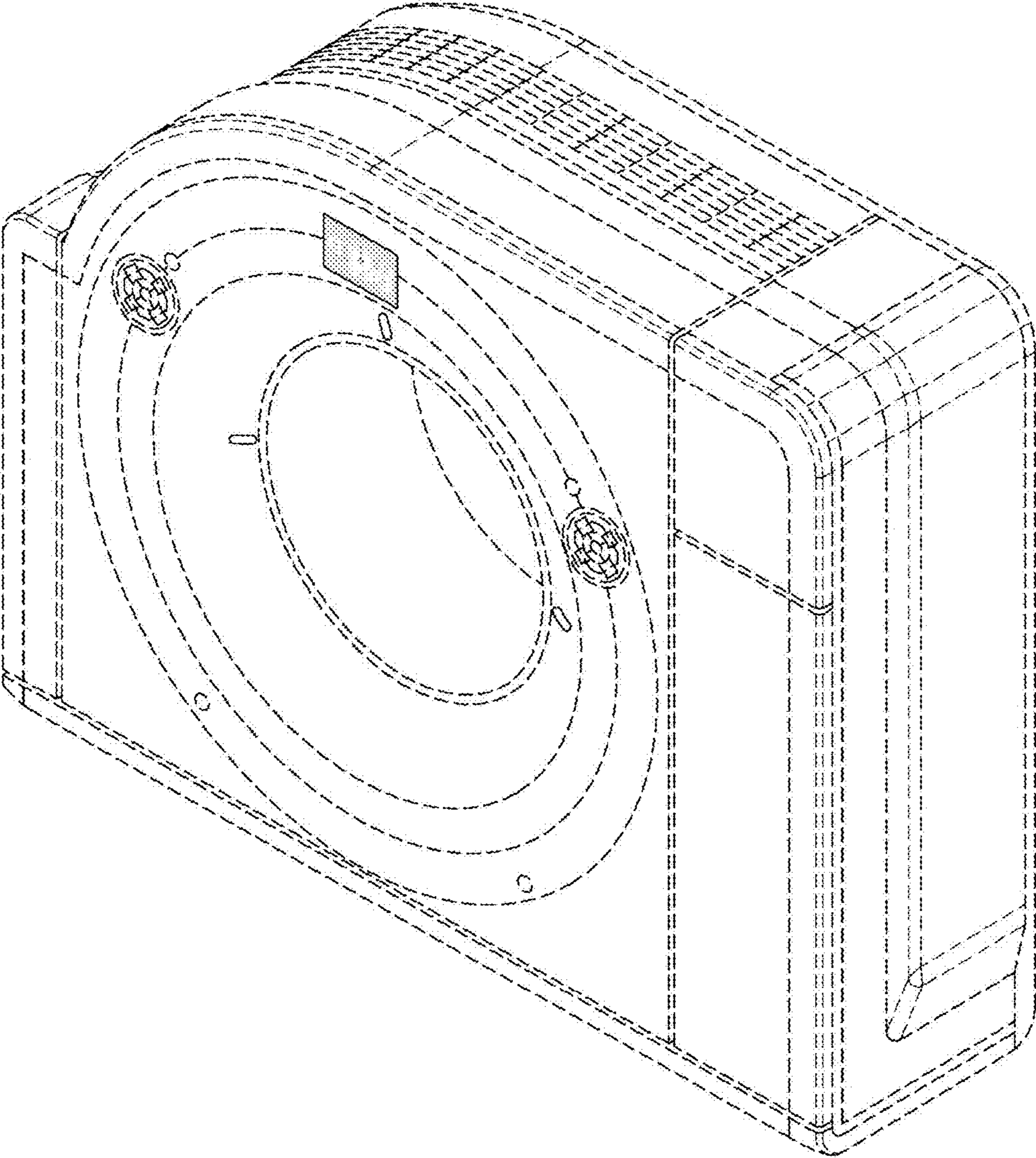


FIG.3

