



US00D785002S

(12) **United States Design Patent** (10) **Patent No.:** **US D785,002 S**  
**Alhasnani** (45) **Date of Patent:** **\*\* Apr. 25, 2017**

(54) **FLASH DRIVE**

OTHER PUBLICATIONS

(71) Applicant: **Maha Abdullah A. Alhasnani**,  
Warwick, RI (US)

BrandSTIK Be Visible, "Touch Screen Transfer USB", URL: <http://www.brandstikbevisible.com/transfer-usb-brandstik/#more-1084>, 1 Page total, (2013).

(72) Inventor: **Maha Abdullah A. Alhasnani**,  
Warwick, RI (US)

*Primary Examiner* — Angela J Lee

(\*\*) Term: **15 Years**

(74) *Attorney, Agent, or Firm* — Oblon, McClelland,  
Maier & Neustadt, L.L.P.

(21) Appl. No.: **29/554,279**

(22) Filed: **Feb. 10, 2016**

(57) **CLAIM**

(51) **LOC (10) Cl.** ..... **14-03**

The ornamental design for a flash drive, as shown and described.

(52) **U.S. Cl.**

USPC ..... **D14/480.1**

(58) **Field of Classification Search**

USPC ..... D14/480.1–480.7, 435.1, 411, 433, 436,  
D14/484.1, 137, 155, 203.1–203.8, 240,  
D14/242; D13/133, 154

CPC ..... G06K 19/07732; H05K 5/0278

See application file for complete search history.

**DESCRIPTION**

FIG. 1 is a front, top, and left side perspective view of a first embodiment of the flash drive;

FIG. 2 is a front, top, and right side perspective view thereof;

FIG. 3 is a left side view thereof;

FIG. 4 is a right side view thereof;

FIG. 5 is a front plan view thereof;

FIG. 6 is a back plan view thereof;

FIG. 7 is a top plan view thereof;

FIG. 8 is a bottom plan view thereof;

FIG. 9 is a front, top, and left side perspective view of a second embodiment of the flash drive;

FIG. 10 is a front, top, and right side perspective view thereof;

FIG. 11 is a left side view thereof;

FIG. 12 is a right side view thereof;

FIG. 13 is a front plan view thereof;

FIG. 14 is a back plan view thereof;

FIG. 15 is a top plan view thereof; and,

FIG. 16 is a bottom plan view thereof.

The broken lines in the drawings illustrate environmental subject matter and form no part of the claimed design.

(56) **References Cited**

U.S. PATENT DOCUMENTS

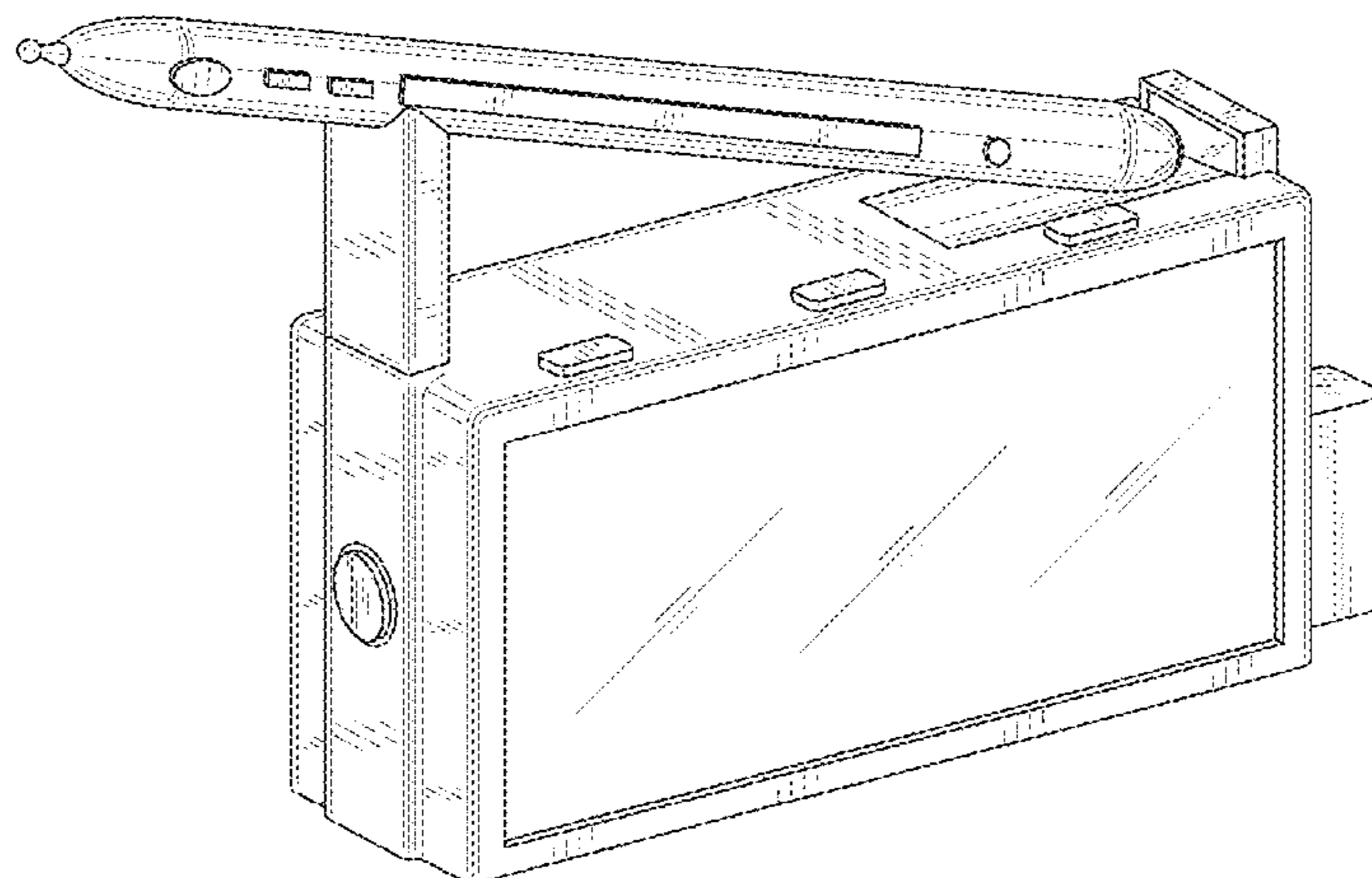
D487,458 S *	3/2004	Gentil	D14/480.5
D559,249 S *	1/2008	Takei	D14/480.6
D559,841 S *	1/2008	Liu	D14/240
7,451,262 B2	11/2008	Yetukuri	
D588,147 S *	3/2009	Finlayson	D14/480.5
D600,693 S *	9/2009	Maiers	D14/480.6
D618,694 S *	6/2010	Andre	D14/480.6
D624,924 S *	10/2010	Lee	D14/480.5
D635,142 S *	3/2011	Borislow	D14/435.1
D645,049 S *	9/2011	Faranda	D13/108
D645,869 S *	9/2011	Hathway	D14/242
D675,217 S *	1/2013	Lee	D14/480.6
D693,805 S *	11/2013	Sip	D14/358
8,819,315 B2	8/2014	Kim	

(Continued)

FOREIGN PATENT DOCUMENTS

CN	203535961 U	4/2014
WO	2014/018867 A1	1/2014

**1 Claim, 14 Drawing Sheets**



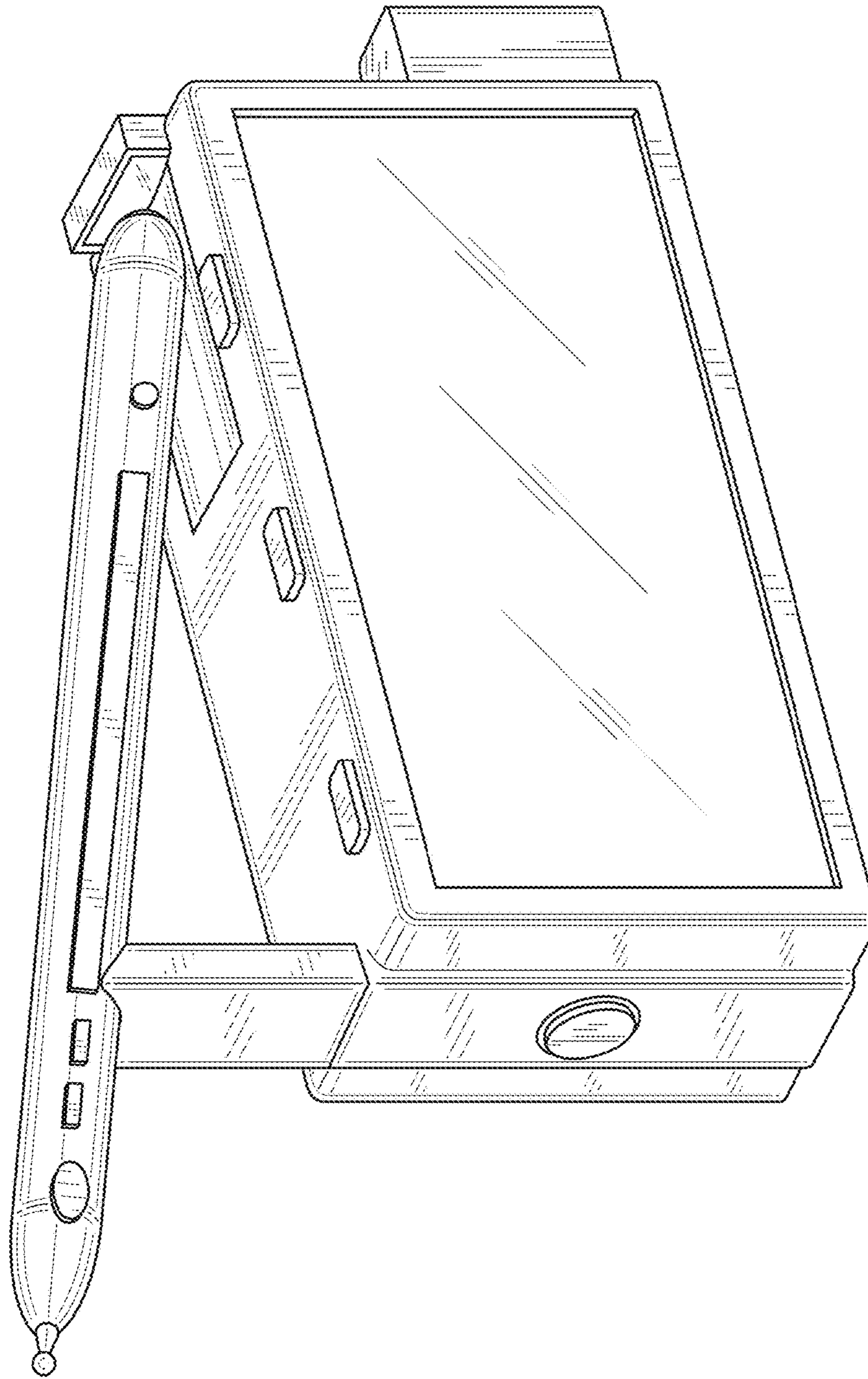
(56)

**References Cited**

U.S. PATENT DOCUMENTS

D759,012 S \* 6/2016 Golden ..... D10/50  
2013/0167226 A1 6/2013 Lin

\* cited by examiner



**FIG. 1**

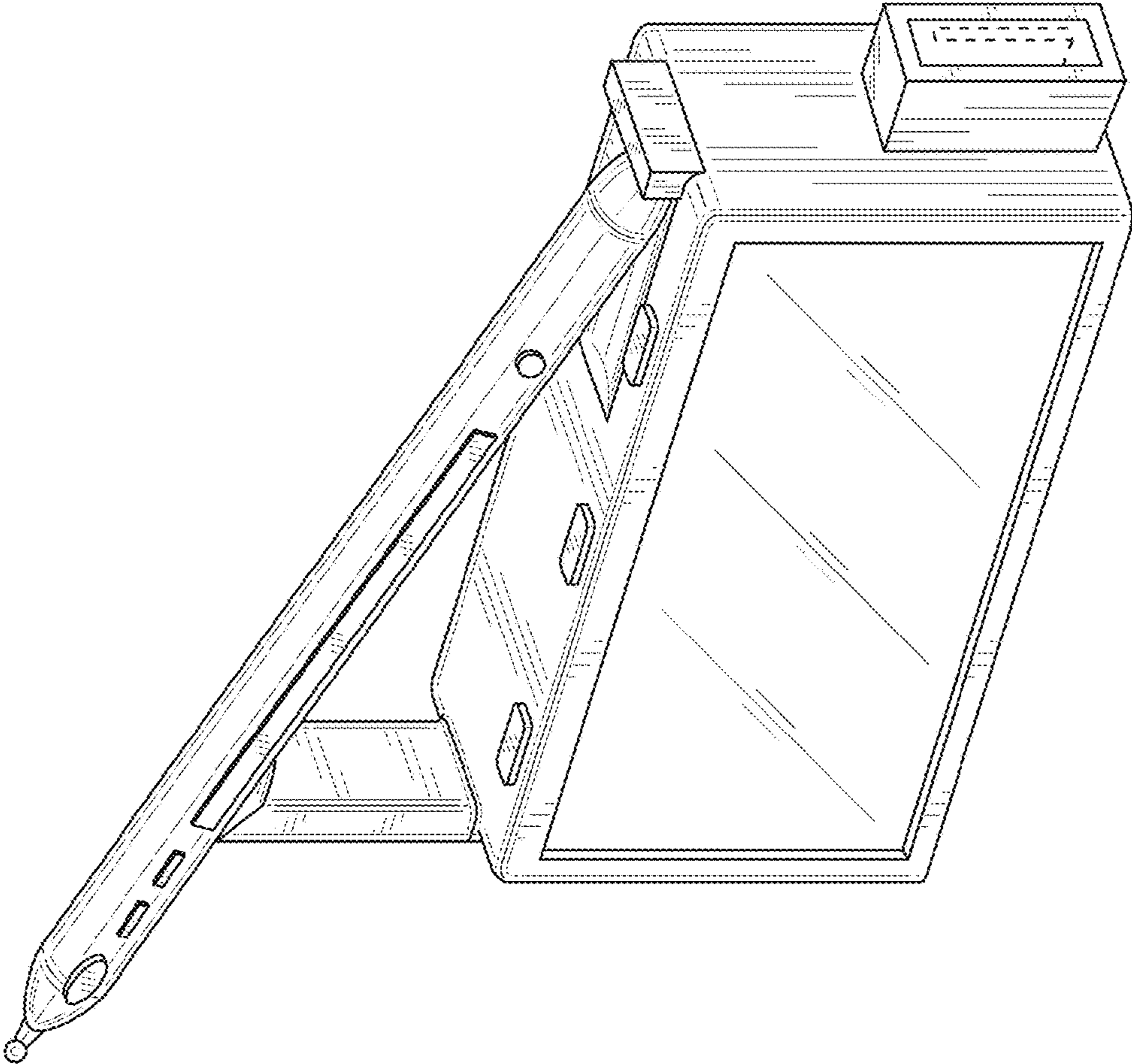


FIG. 2

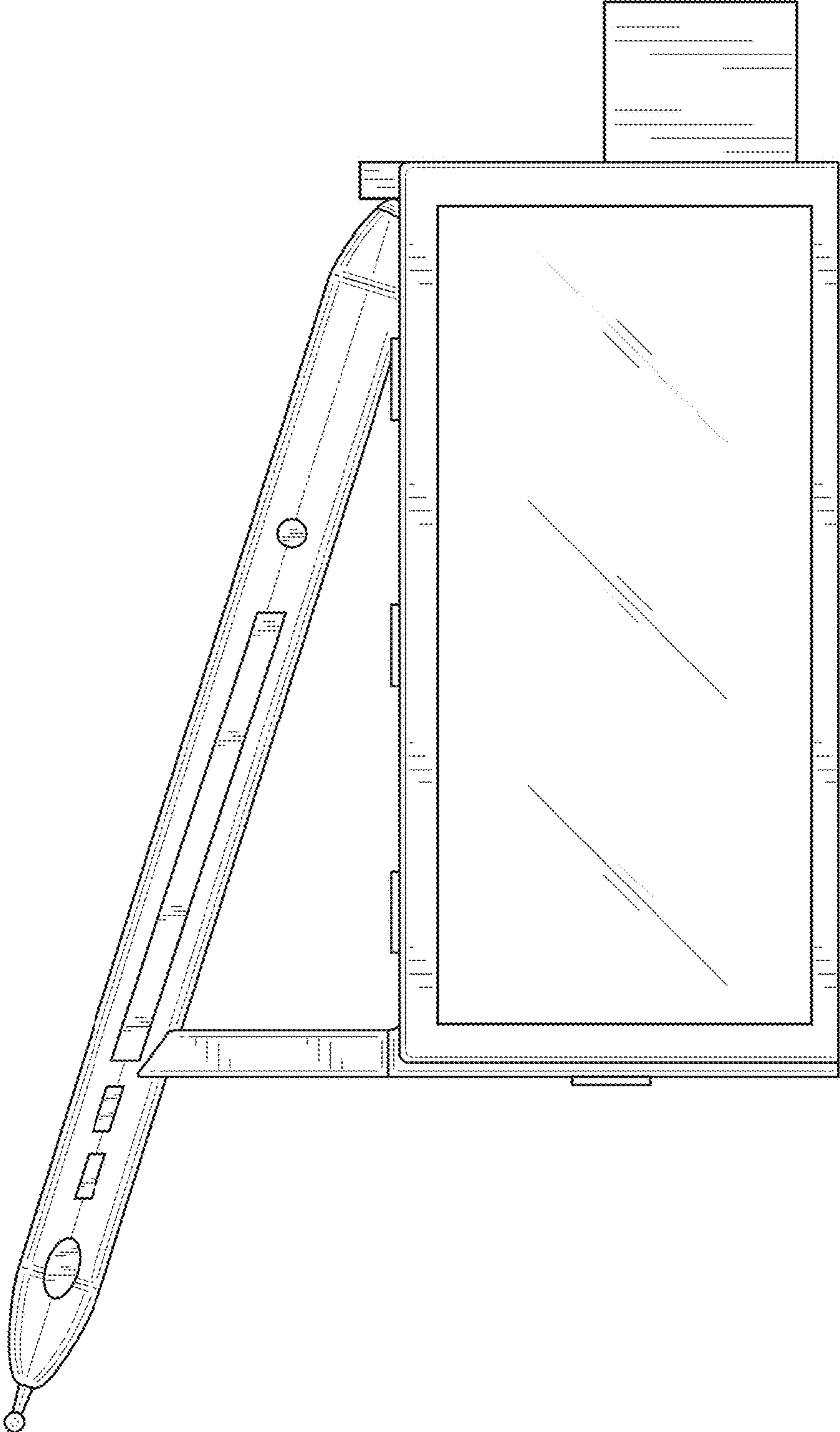
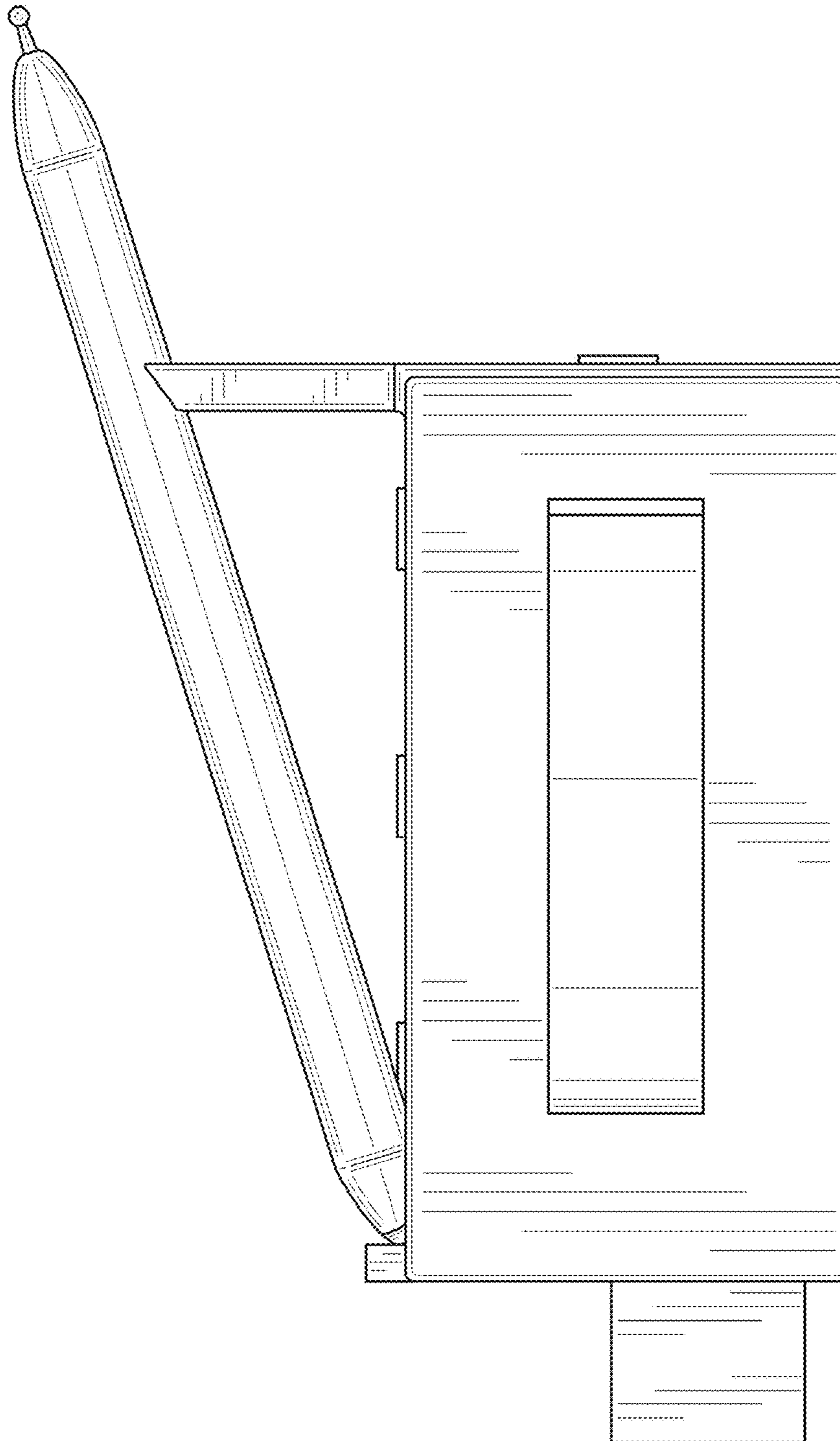


FIG. 3



**FIG. 4**

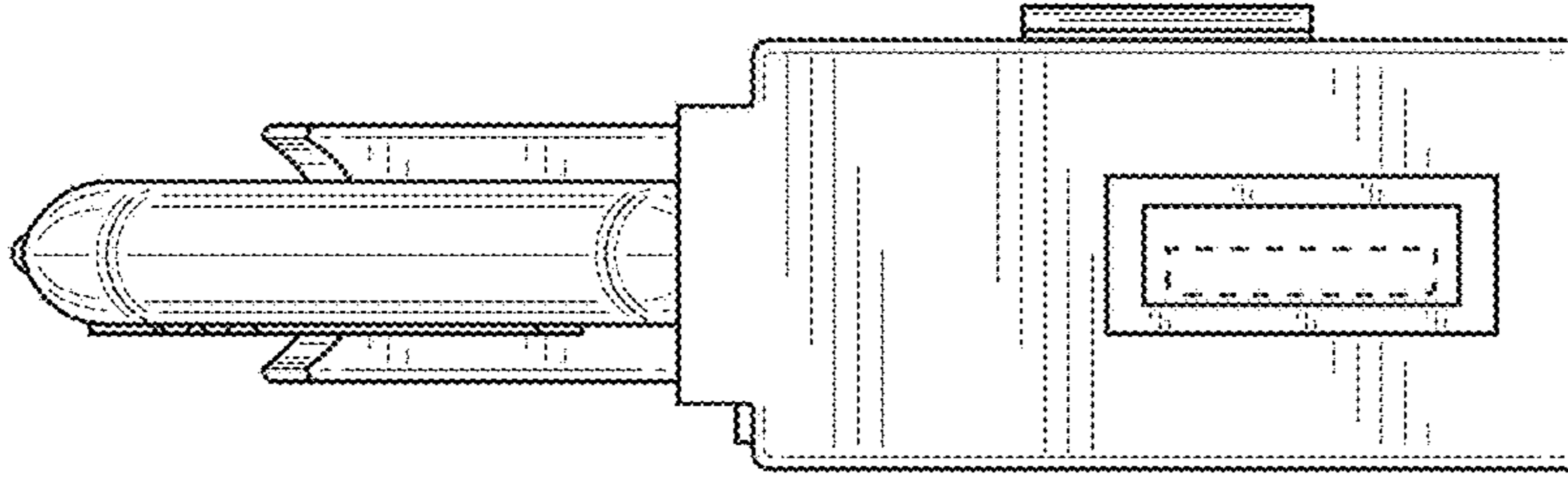


FIG. 5

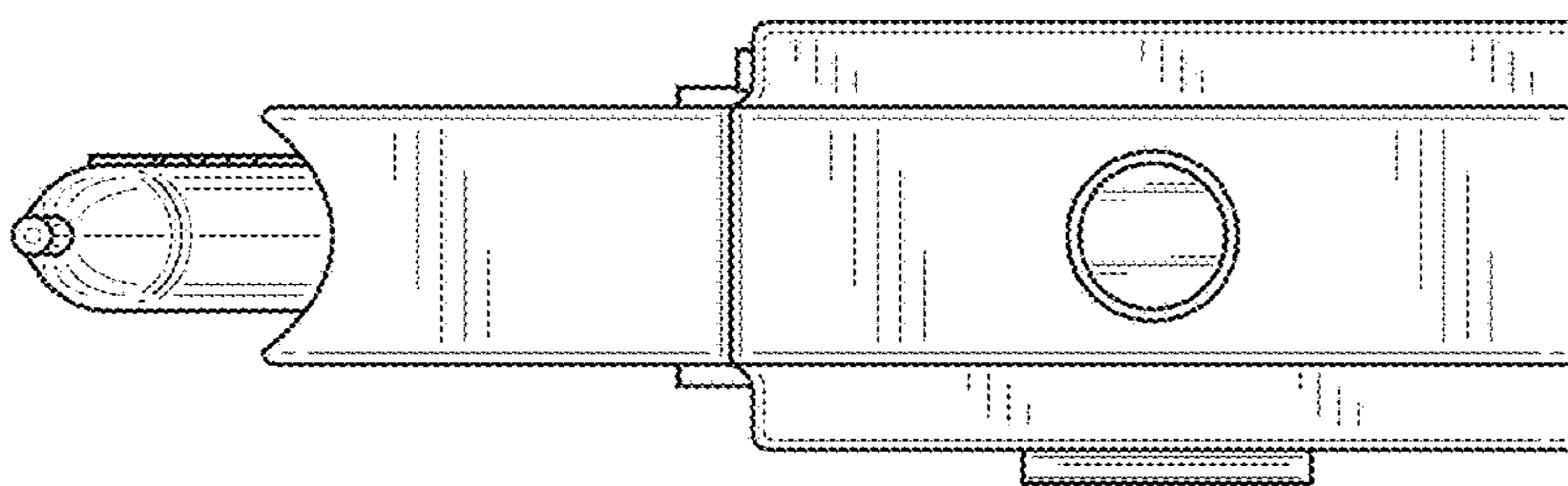
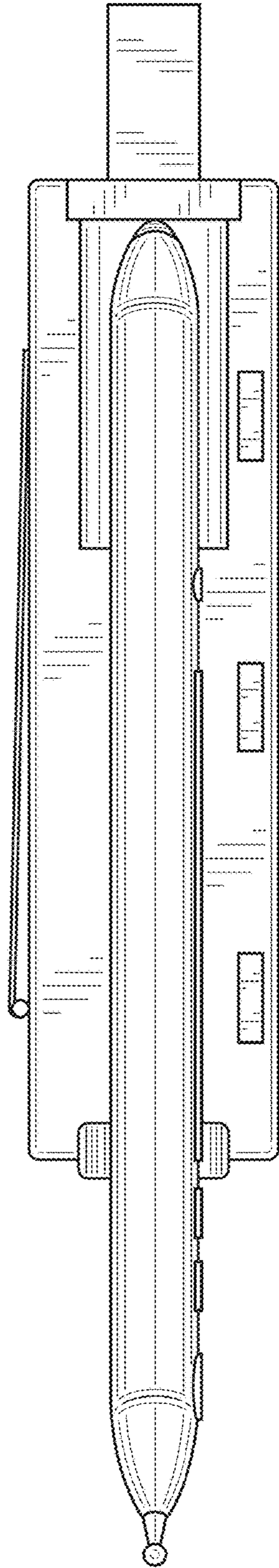
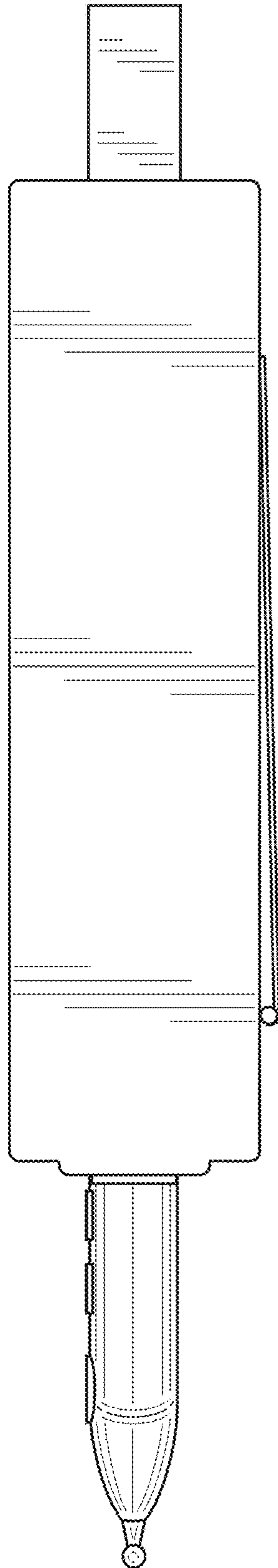


FIG. 6



**FIG. 7**





**FIG. 8**

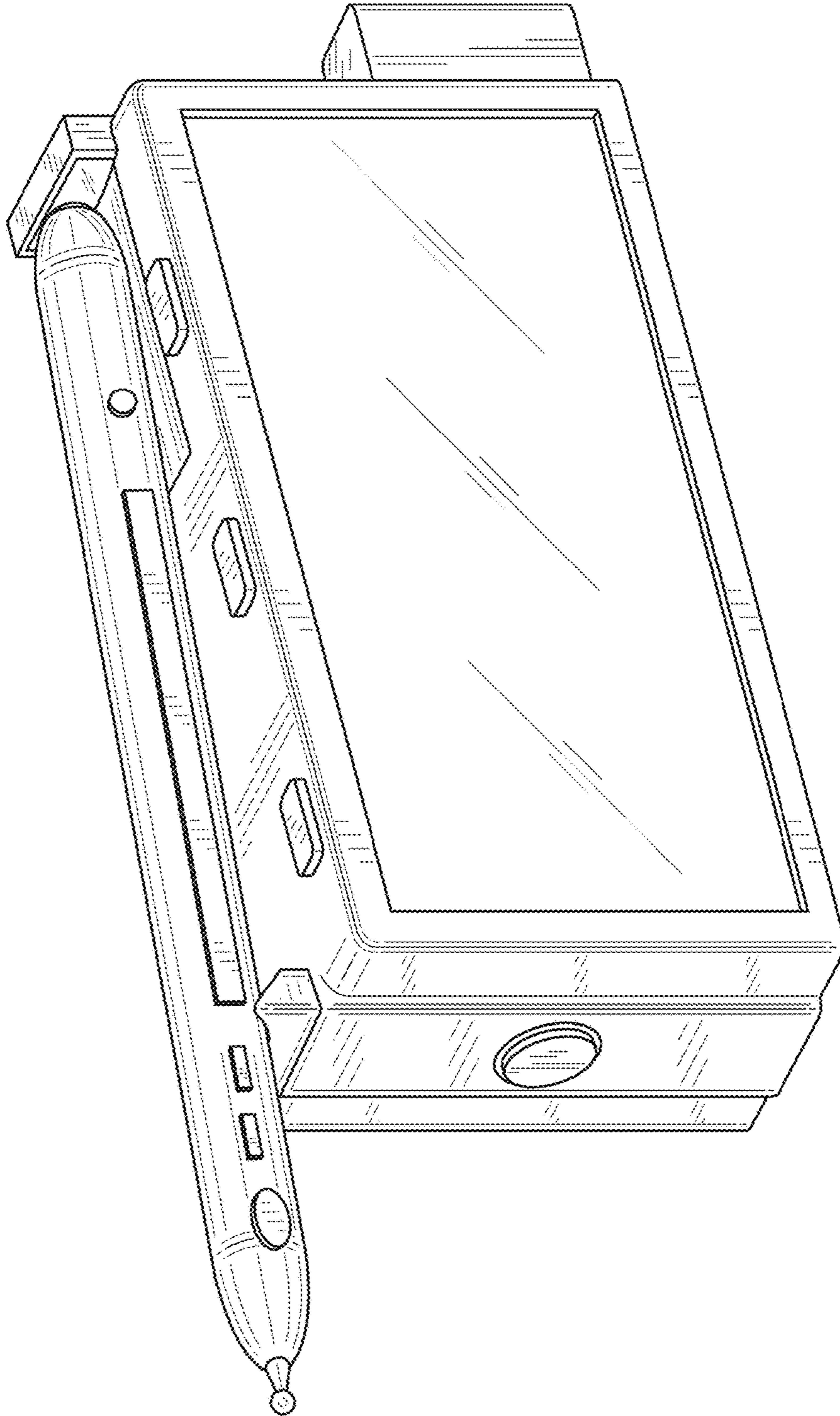


FIG. 9

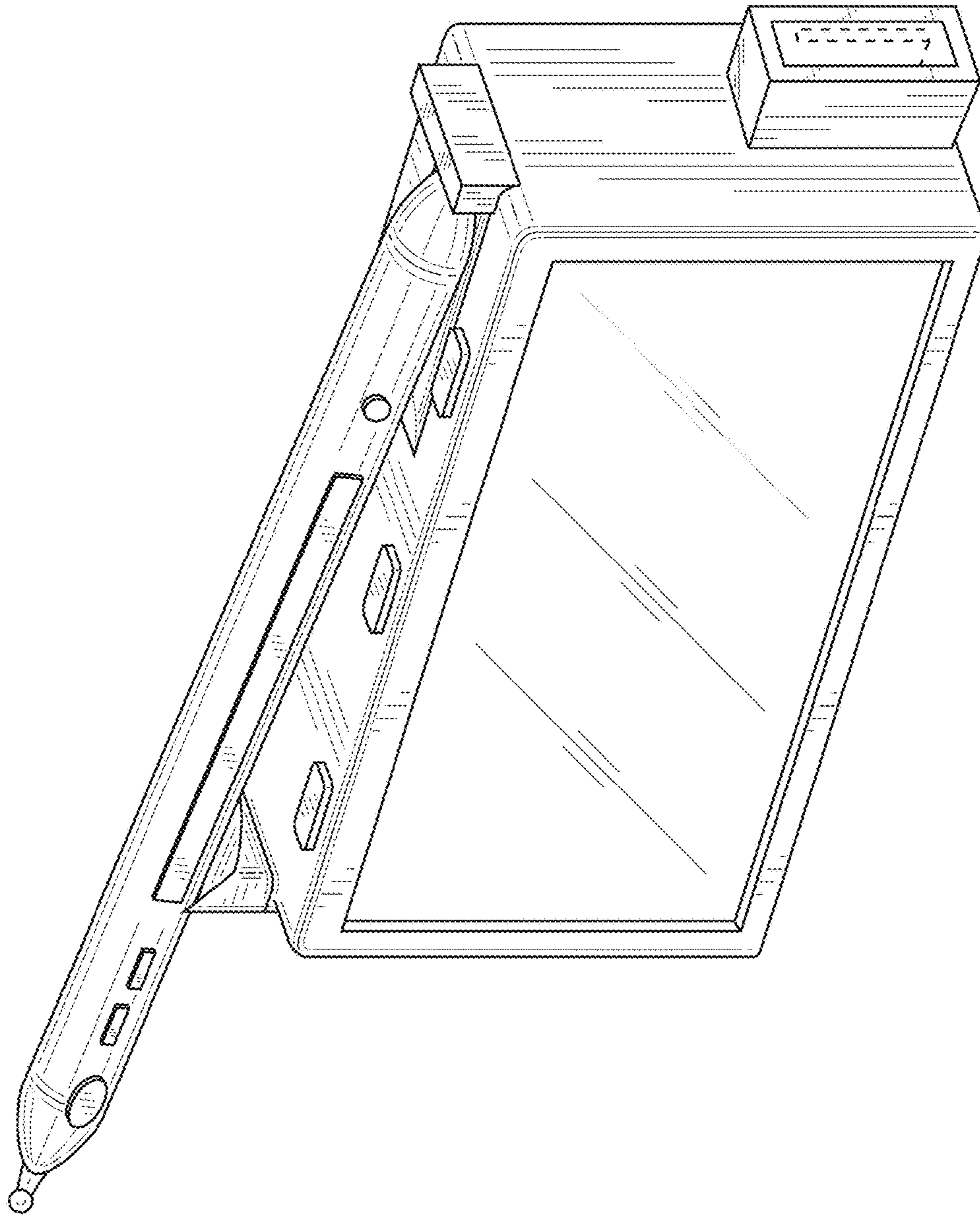
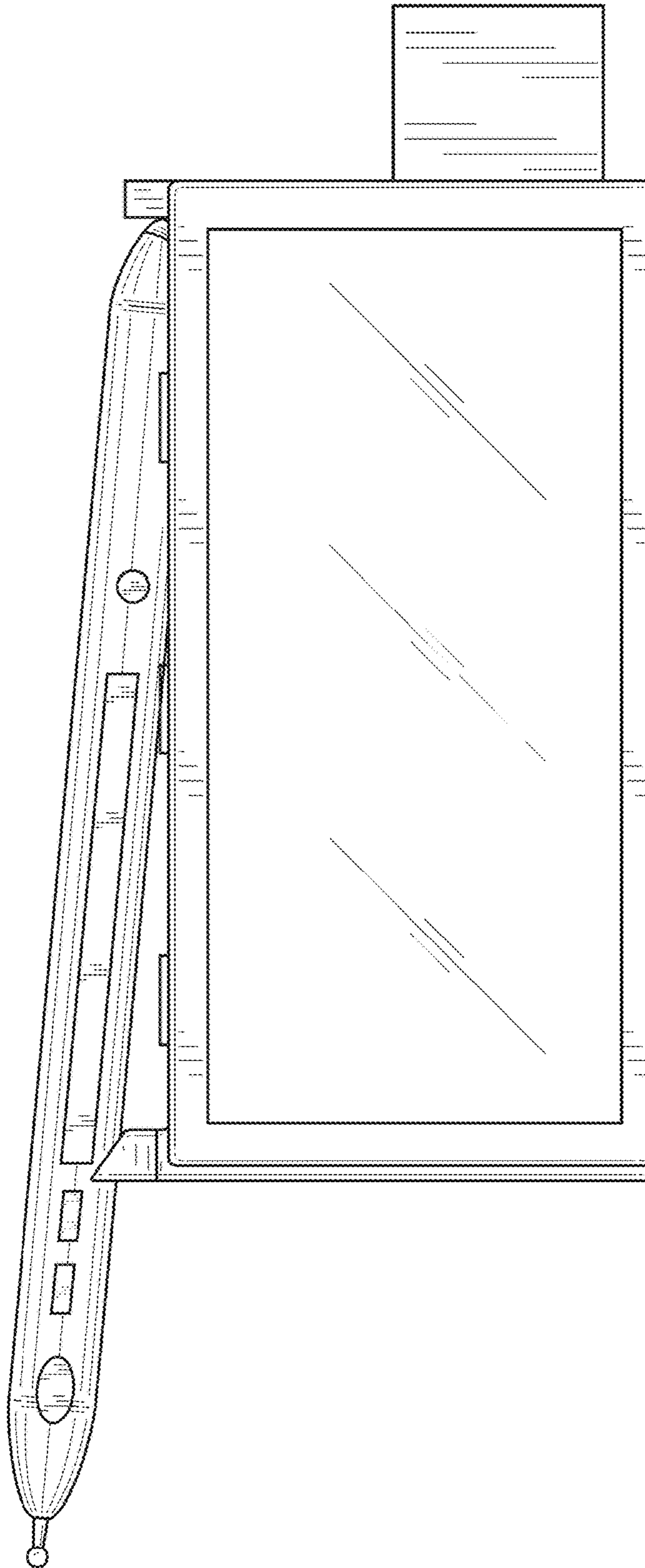


FIG. 10



**FIG. 11**

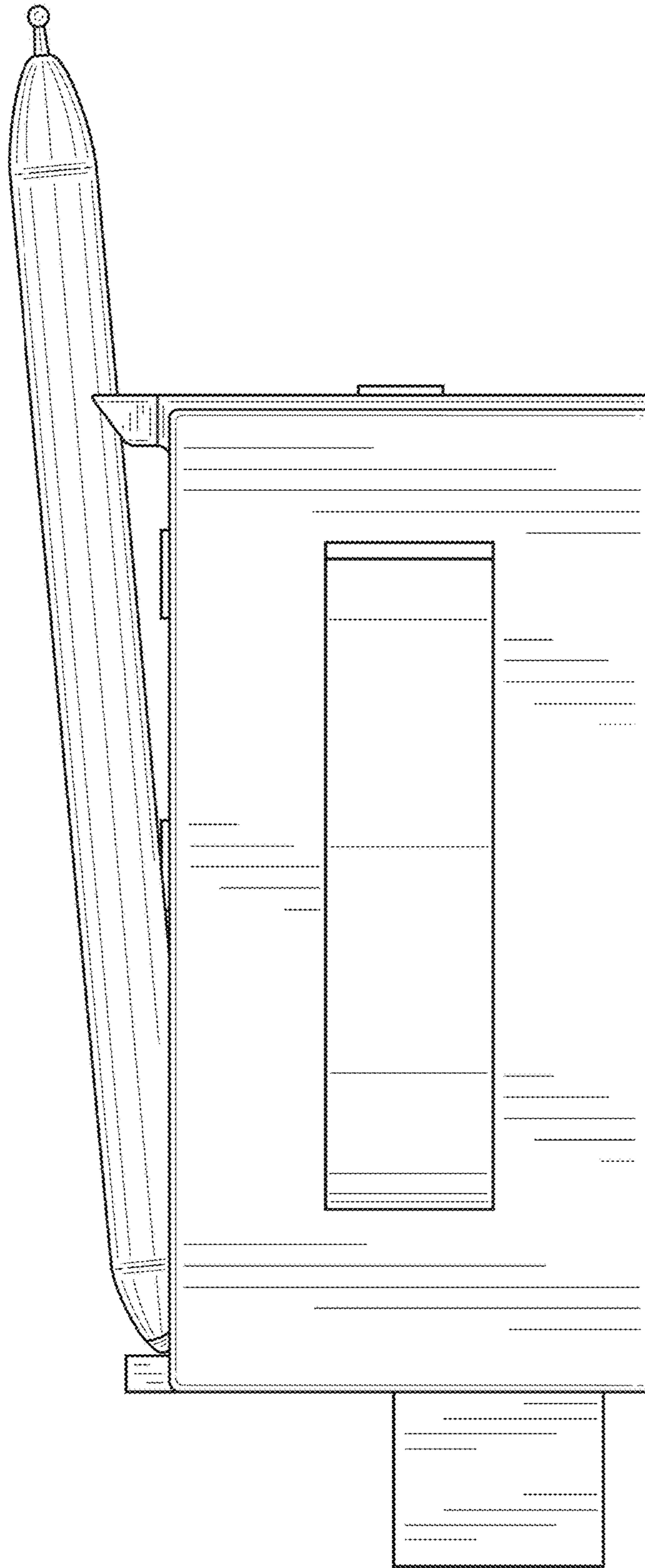
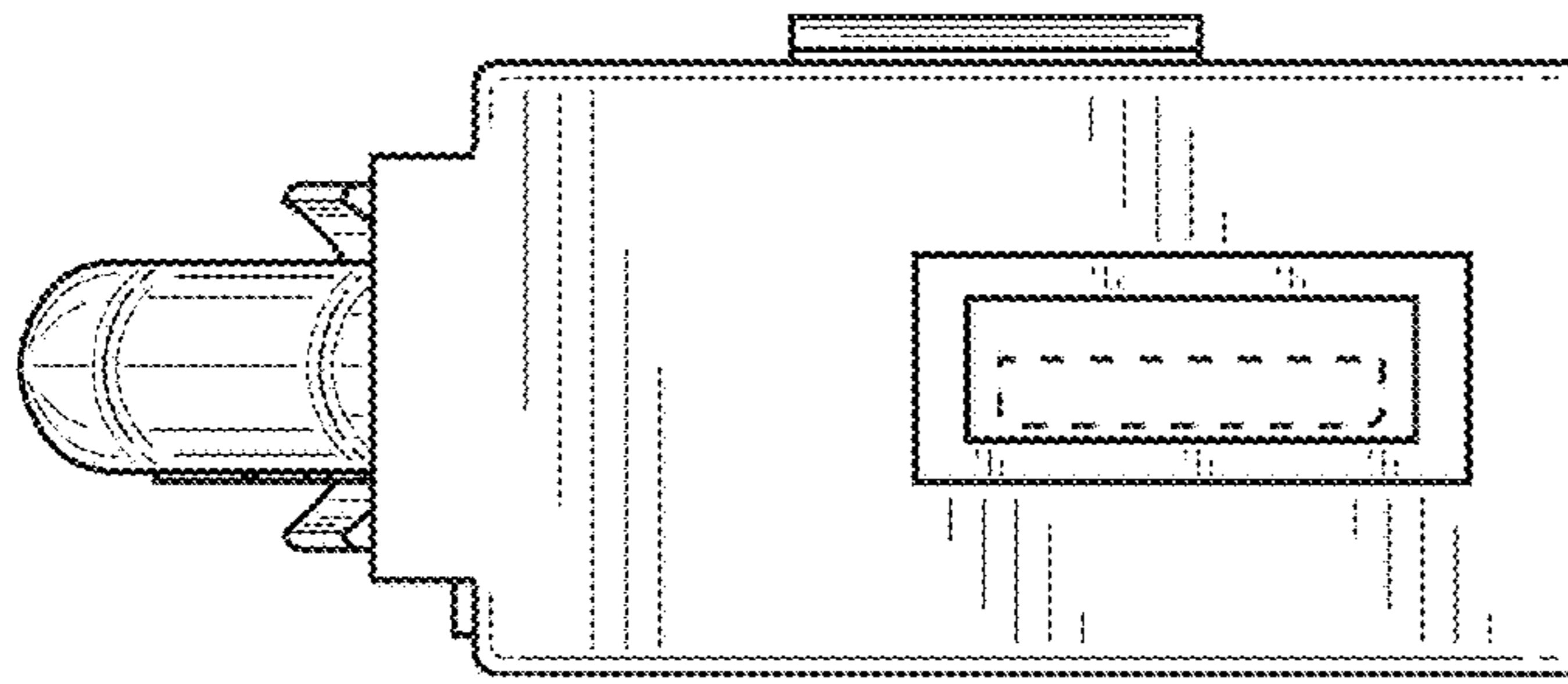
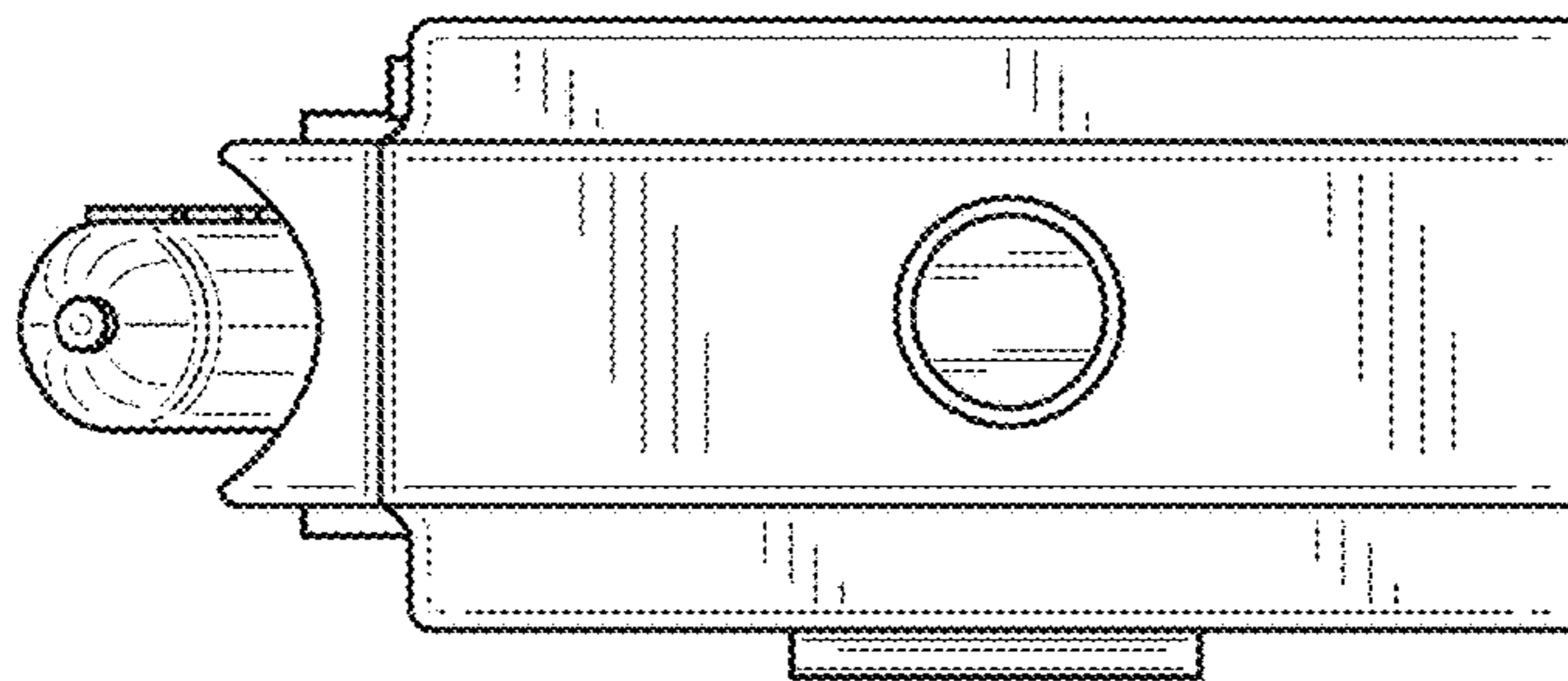


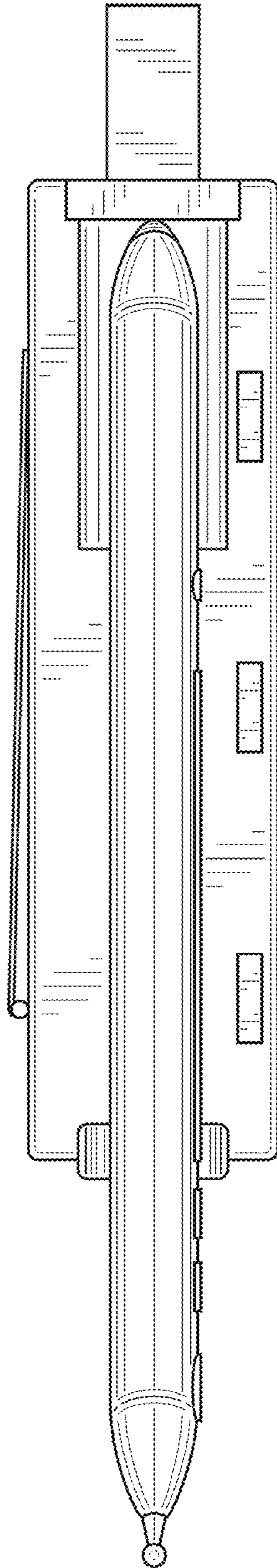
FIG. 12



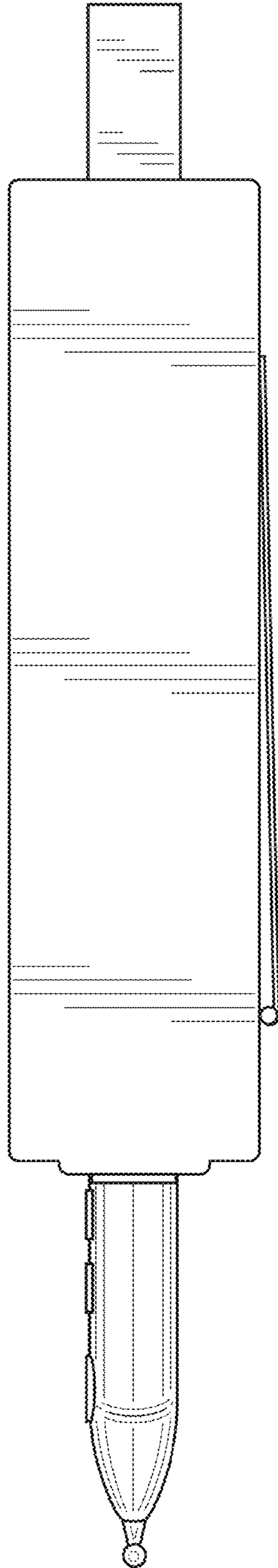
**FIG. 13**



**FIG. 14**



**FIG. 15**



**FIG. 16**