



US00D785001S

(12) **United States Design Patent** (10) **Patent No.:** **US D785,001 S**
Shim (45) **Date of Patent:** **** Apr. 25, 2017**

(54) **USB (UNIVERSAL SERIAL BUS)**
(71) Applicant: **SAMSUNG ELECTRONICS CO., LTD.**, Suwon-si (KR)
(72) Inventor: **Hyung-Sup Shim**, Seoul (KR)
(73) Assignee: **SAMSUNG ELECTRONICS CO., LTD.**, Suwon-si (KR)
(**) Term: **15 Years**

D583,374 S * 12/2008 Otsuka D14/480.5
D656,148 S * 3/2012 Schlosstein D14/480.6
D670,711 S * 11/2012 Ma D14/480.1
D706,278 S * 6/2014 Fukuoka D14/480.5
D711,891 S * 8/2014 Emami D14/480.5
D727,015 S * 4/2015 Arrindell D14/435.1
D754,138 S * 4/2016 Otsuka D14/480.1
D759,028 S * 6/2016 Emami D14/480.1
D771,636 S * 11/2016 Shim D14/480.1
2006/0038023 A1* 2/2006 Brewer G06K 19/005
235/492
2008/0064265 A1* 3/2008 Sterling B29C 45/16
439/660

(21) Appl. No.: **29/536,107**

* cited by examiner

(22) Filed: **Aug. 13, 2015**

Primary Examiner — Angela J Lee

(30) **Foreign Application Priority Data**

(74) *Attorney, Agent, or Firm* — Sughrue Mion, PLLC

Mar. 10, 2015 (KR) 30-2015-0012015

(51) **LOC (10) Cl.** **14-04**

(52) **U.S. Cl.**
USPC **D14/480.1**

(58) **Field of Classification Search**
USPC D14/480.1–480.7, 435.1, 411, 433, 436,
D14/484.1, 137, 155, 203.1–203.8, 240,
D14/242; D13/133, 154
CPC H05K 5/0278; G06K 19/07732
See application file for complete search history.

(57) **CLAIM**

I claim the ornamental design for a USB (universal serial bus), as shown and described.

DESCRIPTION

FIG. 1 is a front perspective view of USB (universal serial bus) showing my new design;
FIG. 2 is a front view thereof;
FIG. 3 is a rear view thereof;
FIG. 4 is a left-side view thereof;
FIG. 5 is a right-side view thereof;
FIG. 6 is a top plan view thereof; and,
FIG. 7 is a bottom plan view thereof.
The broken lines are for environmental purposes only and form no part of the claimed design.

(56) **References Cited**

U.S. PATENT DOCUMENTS

D511,519 S * 11/2005 Bone D14/480.1
D513,005 S * 12/2005 Kobayakawa D14/480.1

1 Claim, 5 Drawing Sheets

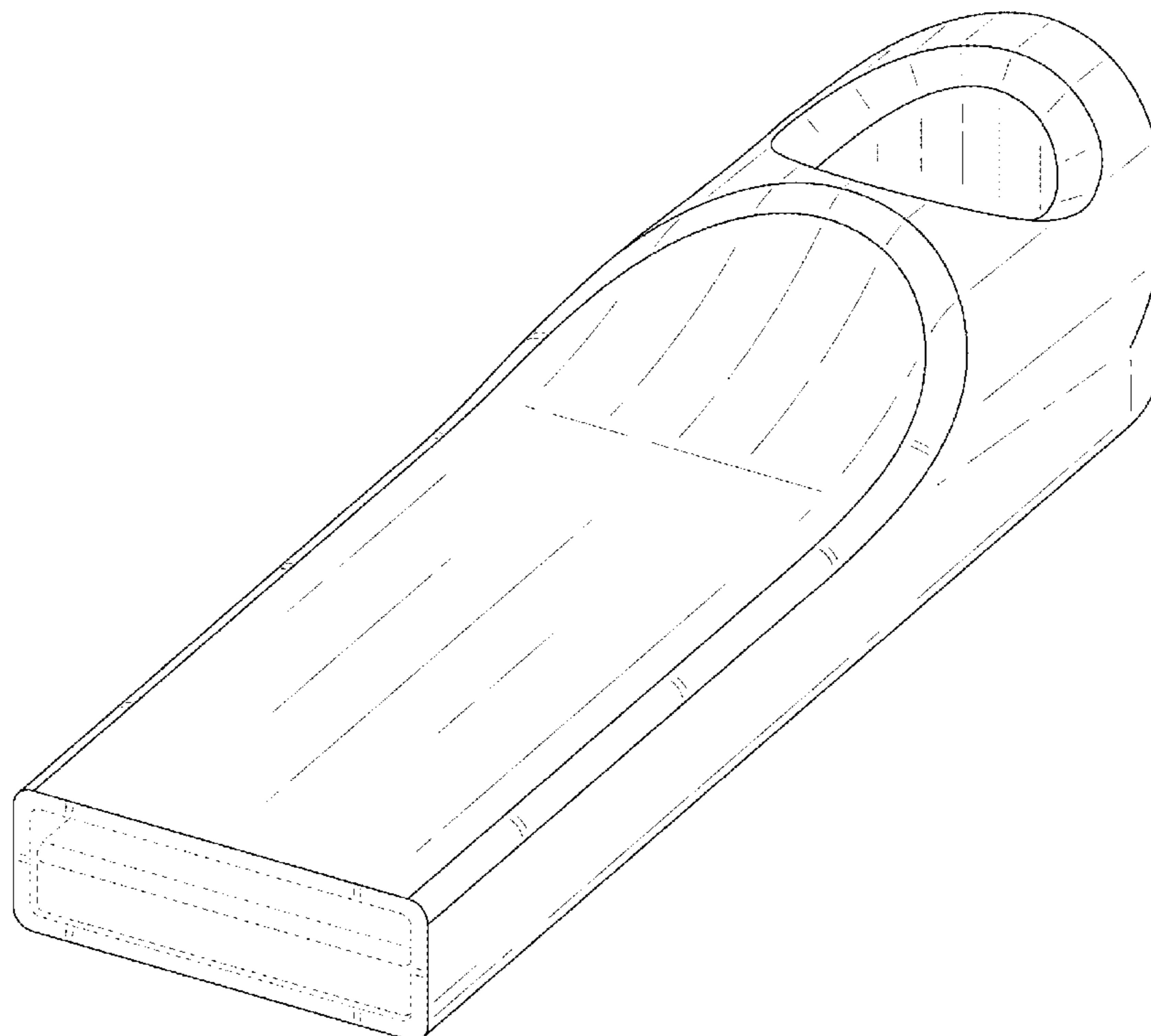


FIG. 1

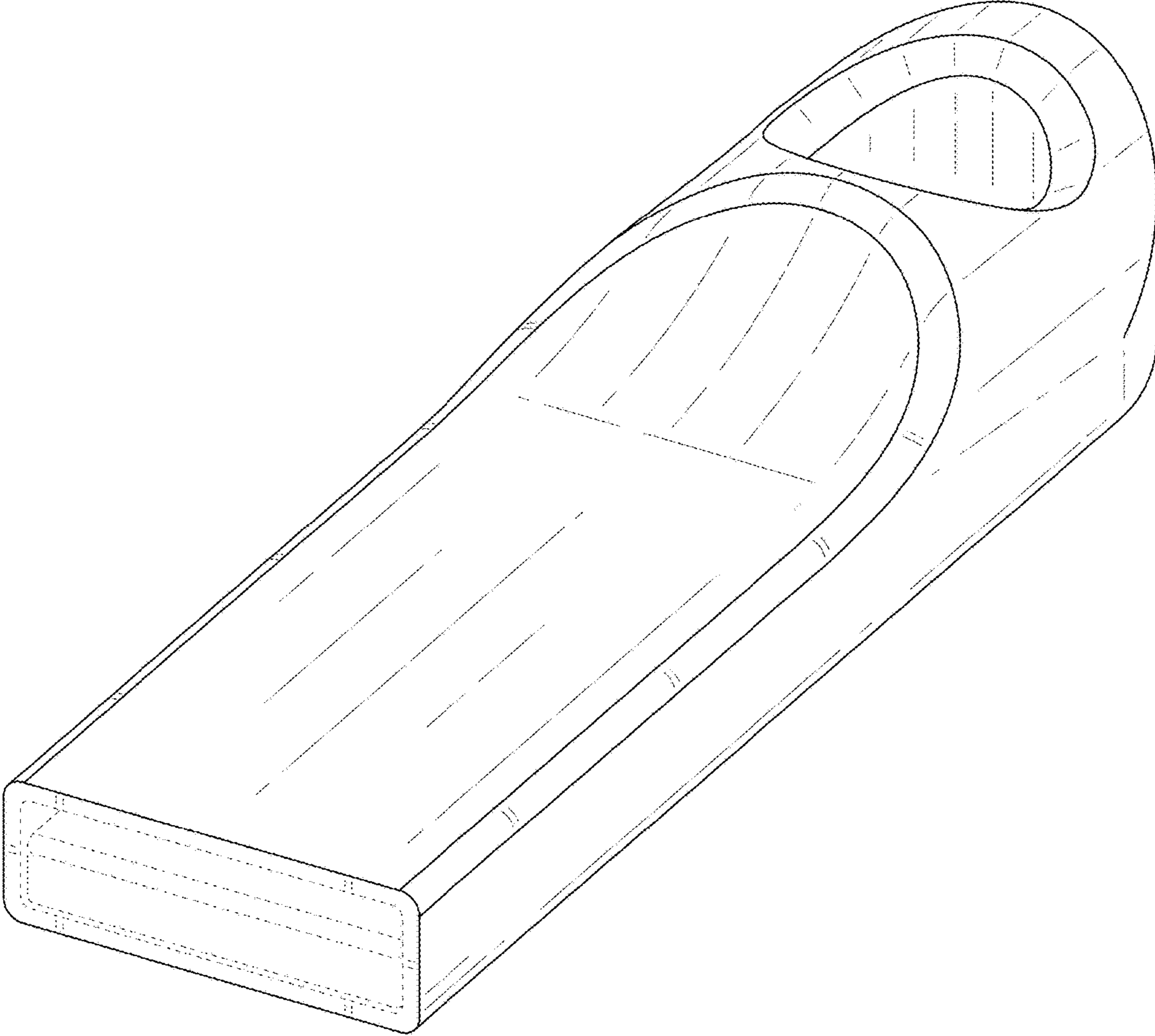


FIG. 2

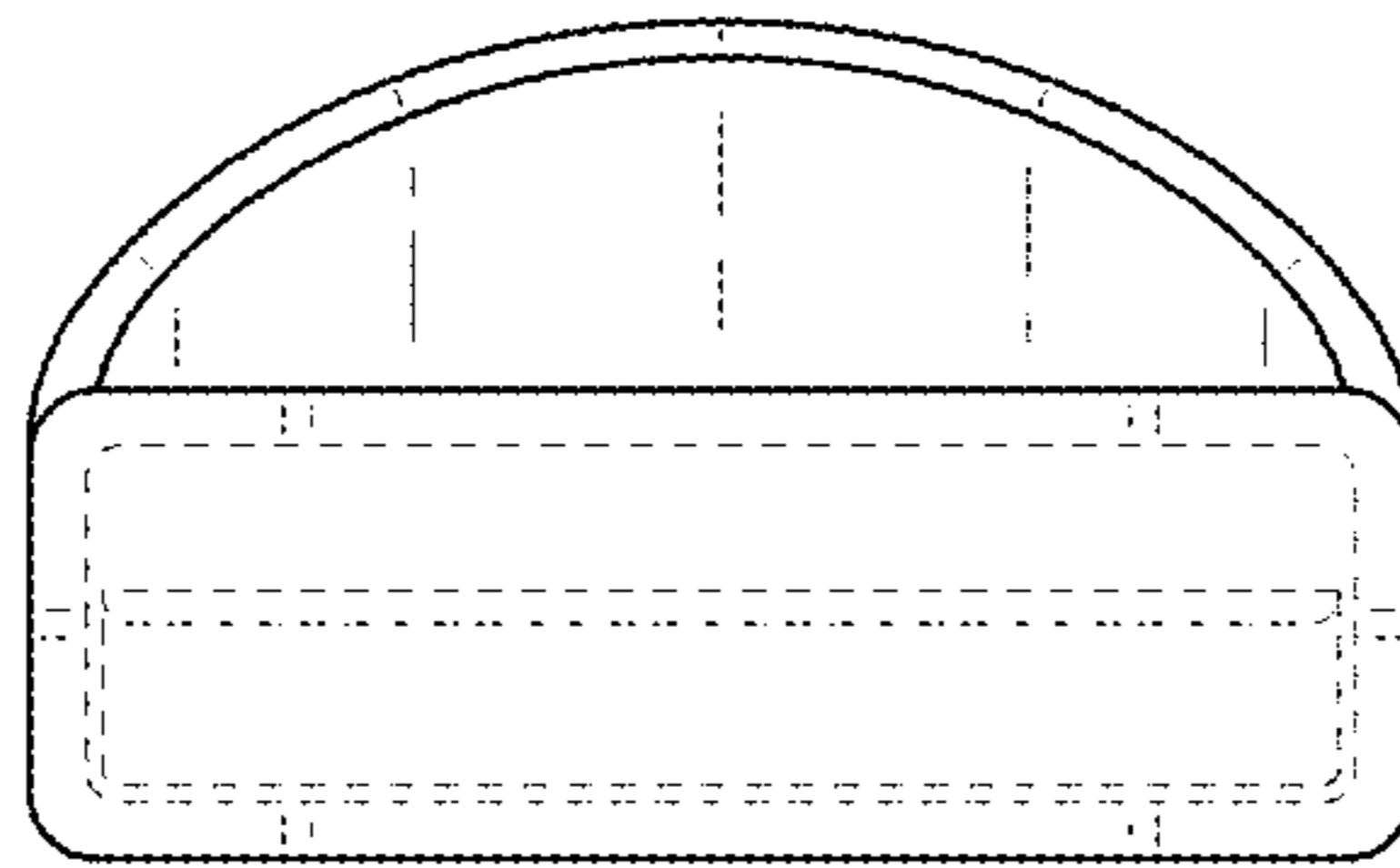


FIG. 3

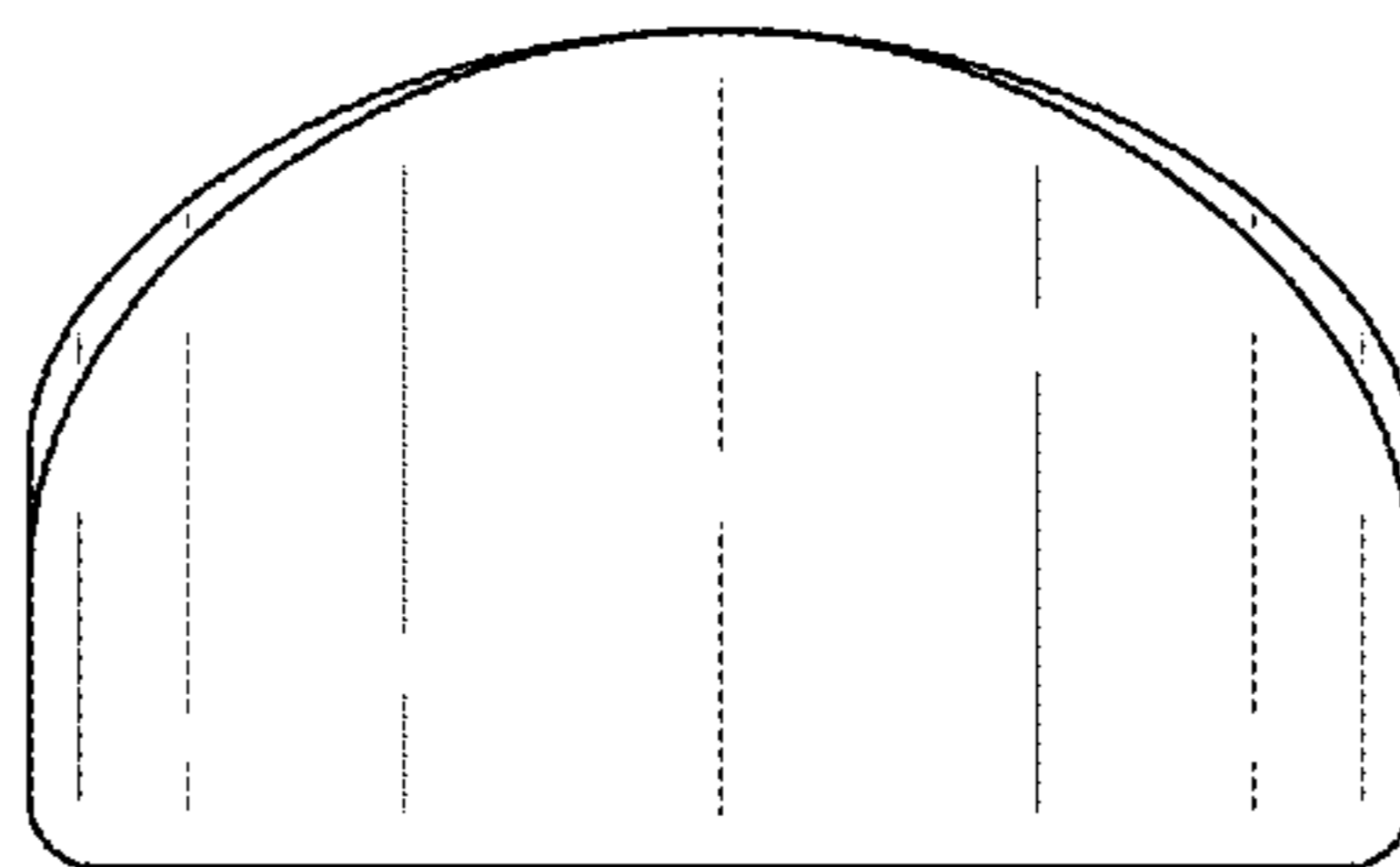


FIG. 4

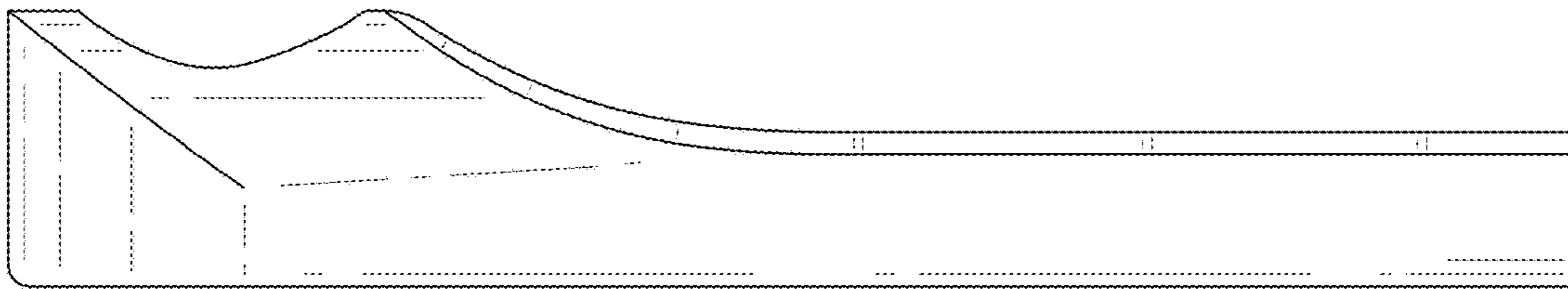


FIG. 5

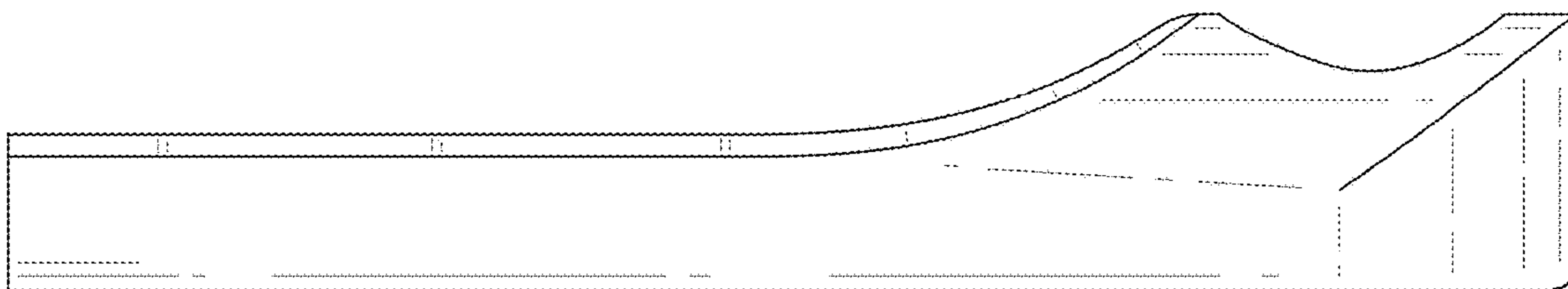


FIG. 6

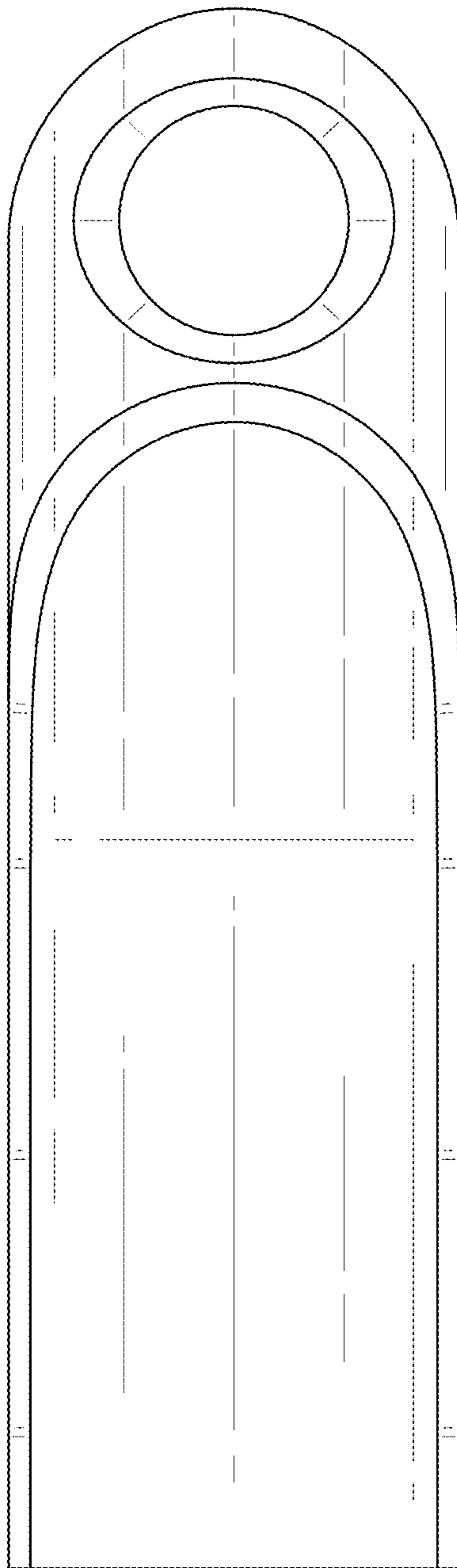


FIG. 7

