



US00D785000S

(12) **United States Design Patent** (10) **Patent No.:** **US D785,000 S**  
**Messler** (45) **Date of Patent:** **\*\* Apr. 25, 2017**

(54) **MONITOR DISPLAY STAND**

(56) **References Cited**

(71) Applicant: **Gregory A. Messler**, Streamwood, IL (US)  
(72) Inventor: **Gregory A. Messler**, Streamwood, IL (US)  
(\*\*) Term: **14 Years**  
(21) Appl. No.: **29/487,559**  
(22) Filed: **Apr. 9, 2014**  
(51) **LOC (10) Cl.** ..... **08-07**  
(52) **U.S. Cl.**  
USPC ..... **D14/451**  
(58) **Field of Classification Search**  
USPC ..... D14/371-382, 125-129, 336, 337, D14/447-452, 492, 335, 239, 457, D14/439-441, 432, 251-253; D8/349, D8/354, 363, 373, 376, 380; D21/333; D12/415; D3/218; 348/180, 184, 325, 348/739, 825; 248/323, 278.1, 286.1  
CPC ..... G06F 3/0412; G06F 3/016; G06F 3/0488; G06F 3/011; G06F 3/038; G06F 3/03543; G06F 3/0338; G06F 3/0202; G06F 3/0219; G06F 3/0213; G06F 1/1616; G06F 3/023; G06F 3/04883; G02F 1/13338; G02F 1/1313; G02F 1/1333; G02F 1/135; G02F 1/132; G02F 1/133308; G02F 1/134309; G02F 1/13718; G09G 3/3648; G06K 15/1252; B41J 2/465; G03F 7/70291; G02B 27/0172; G02B 5/30; G02B 2027/0118; G02B 27/0101; F16M 13/02; F16M 13/00; F16M 11/10; F16M 11/04; F16M 2200/08; F16M 11/2021; A47B 21/0314; A47B 88/044; A47B 2021/0335; H02G 3/126; F16B 47/00; F16B 47/006; A47G 1/17; A47K 2201/00

U.S. PATENT DOCUMENTS

D345,874 S *	4/1994	Muller	.....	D6/716.3
D458,778 S *	6/2002	Lee	.....	D6/366
D619,569 S *	7/2010	Honchell	.....	D14/239
D648,658 S *	11/2011	Soto	.....	D12/115
D679,629 S *	4/2013	Davenport	.....	D12/115
D685,353 S *	7/2013	Wilkinson	.....	D14/239
D711,176 S *	8/2014	Skalka	.....	D6/717
D712,183 S *	9/2014	Barber	.....	D6/691.5
D714,281 S *	9/2014	Reznik	.....	D14/251
8,905,903 B2 *	12/2014	Hao	.....	A63B 21/0557 482/121
D722,921 S *	2/2015	Skalka	.....	D12/115
D726,474 S *	4/2015	Skalka	.....	D6/717
D735,091 S *	7/2015	Slaughenhaupt	.....	D12/115

\* cited by examiner

*Primary Examiner* — Garth Rademaker  
*Assistant Examiner* — Katie Stofko Mroczka  
(74) *Attorney, Agent, or Firm* — QuickPatents, LLC;  
Kevin Prince

(57) **CLAIM**

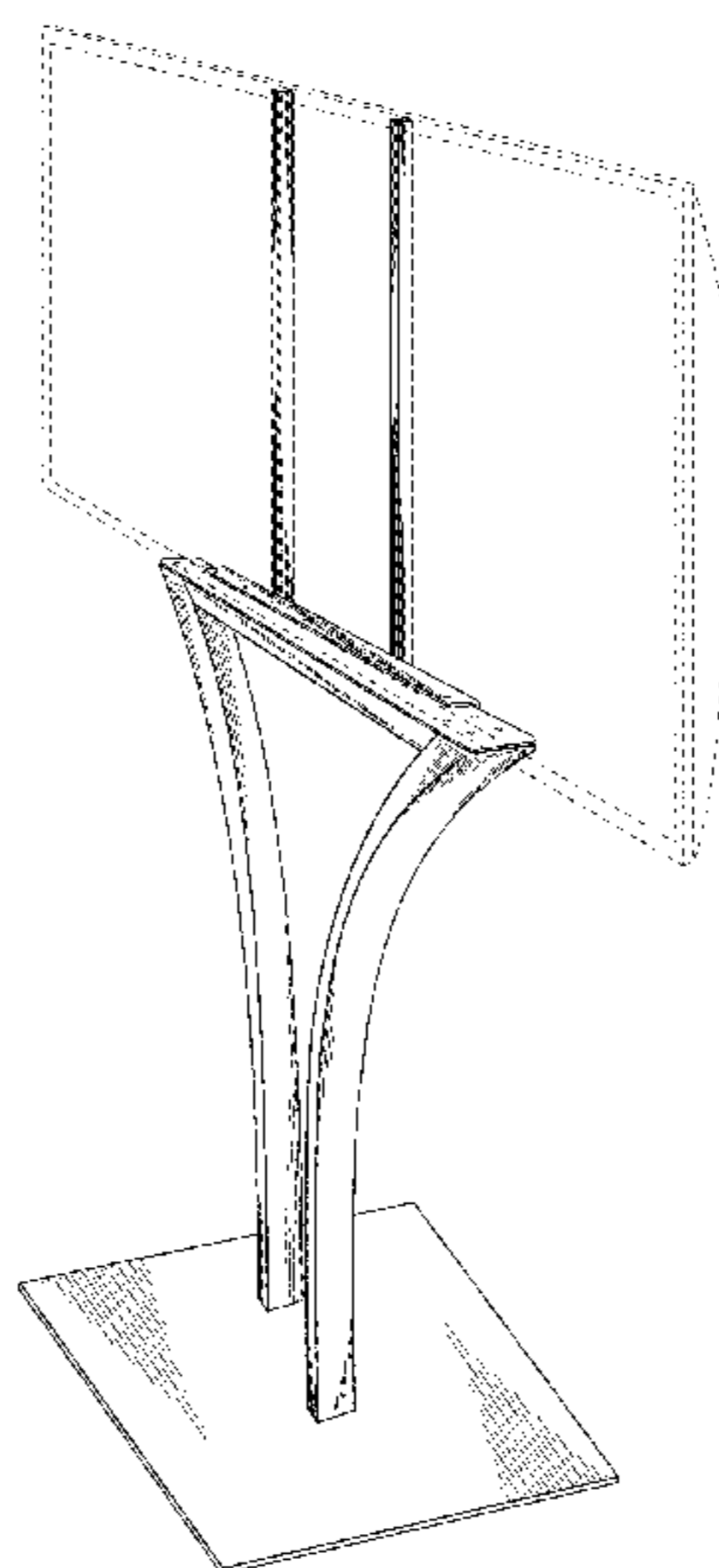
I claim the ornamental design for a monitor display stand, as shown and described.

**DESCRIPTION**

FIG. 1 is a perspective view of a monitor display stand, showing my new design;  
FIG. 2 is a front elevational view thereof;  
FIG. 3 is a rear elevational view thereof;  
FIG. 4 is a right-side elevational view thereof, the left-side elevational view being a mirror image thereof;  
FIG. 5 is a top plan view thereof; and,  
FIG. 6 is a bottom plan view thereof.  
The broken lines in the drawings illustrate portions of the monitor display stand that form no part of the claimed design.

See application file for complete search history.

**1 Claim, 3 Drawing Sheets**



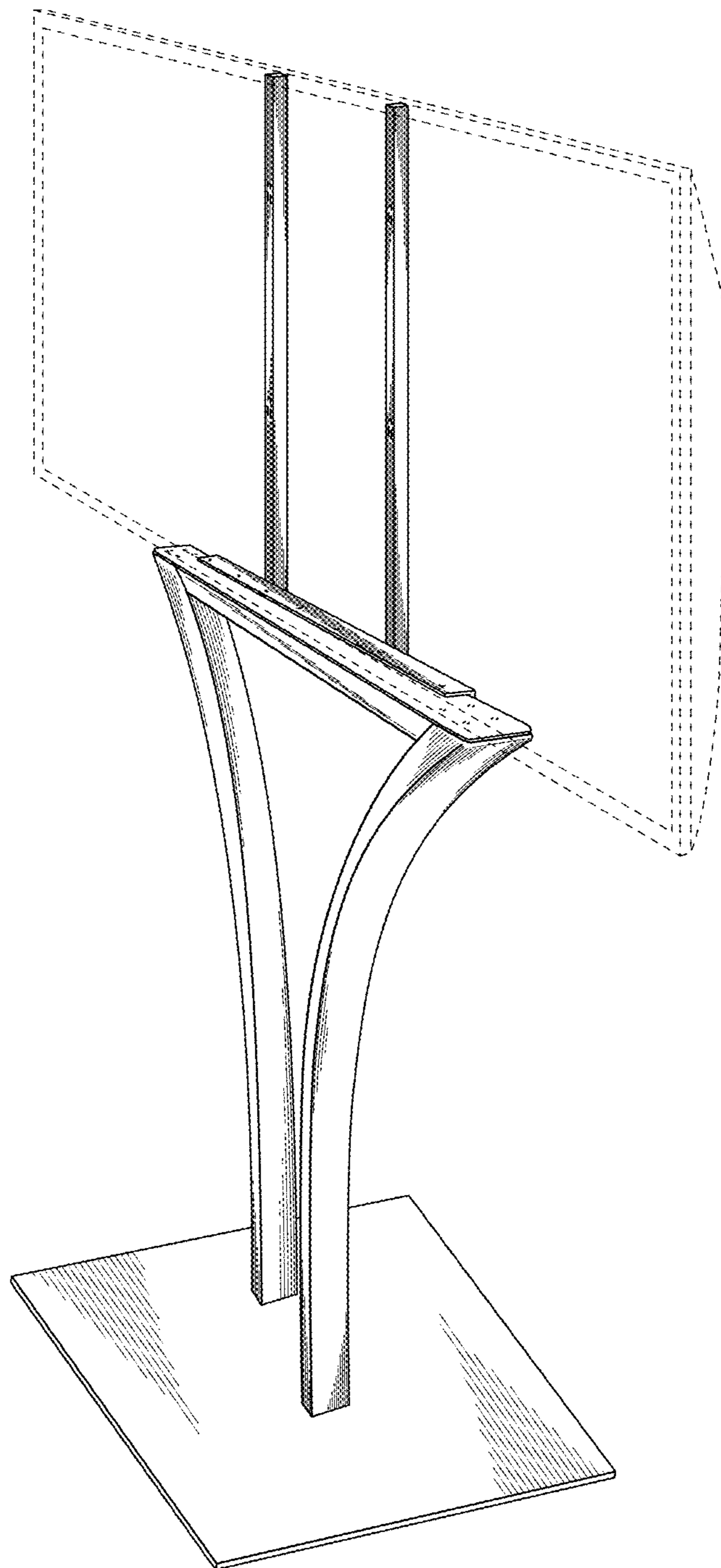


FIG. 1

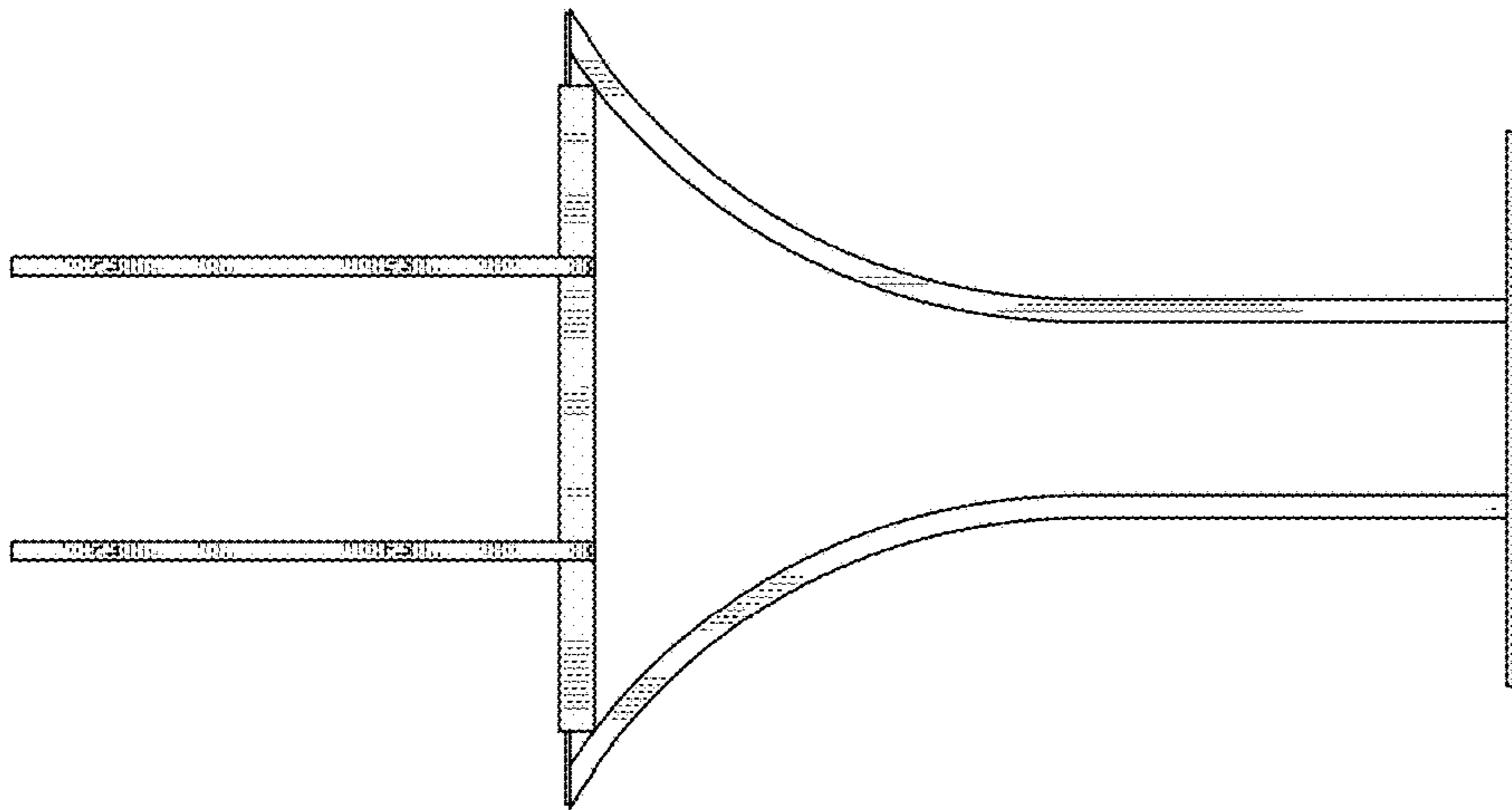


FIG. 3

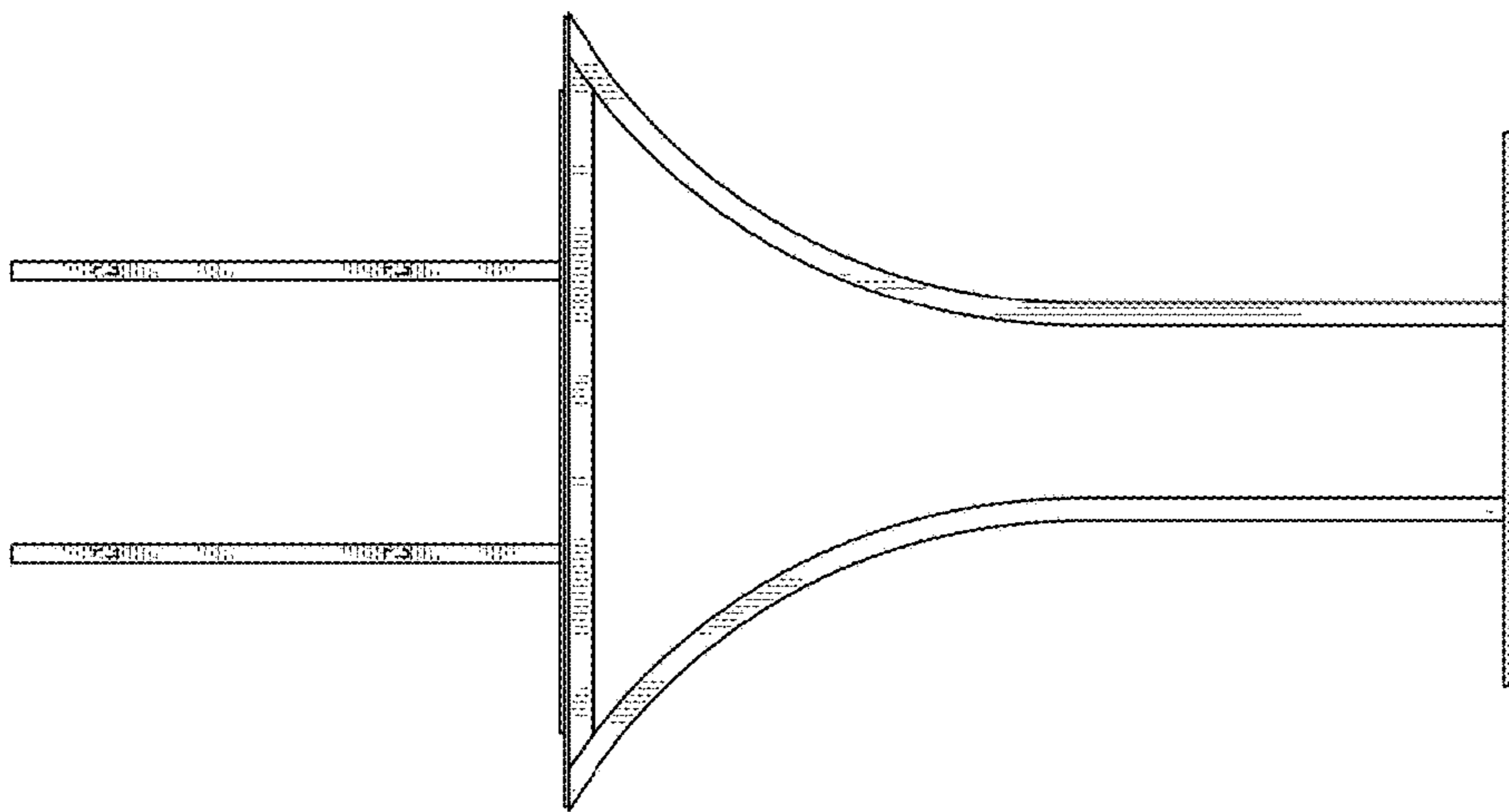


FIG. 2

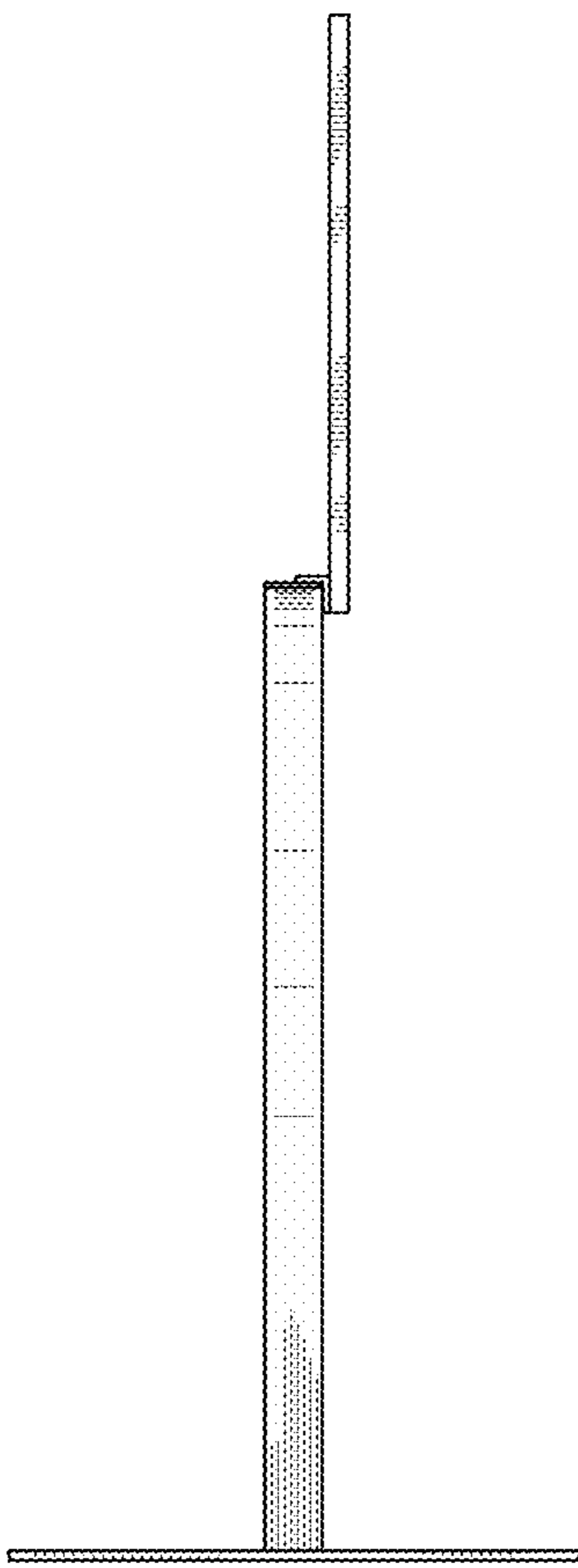


FIG. 4

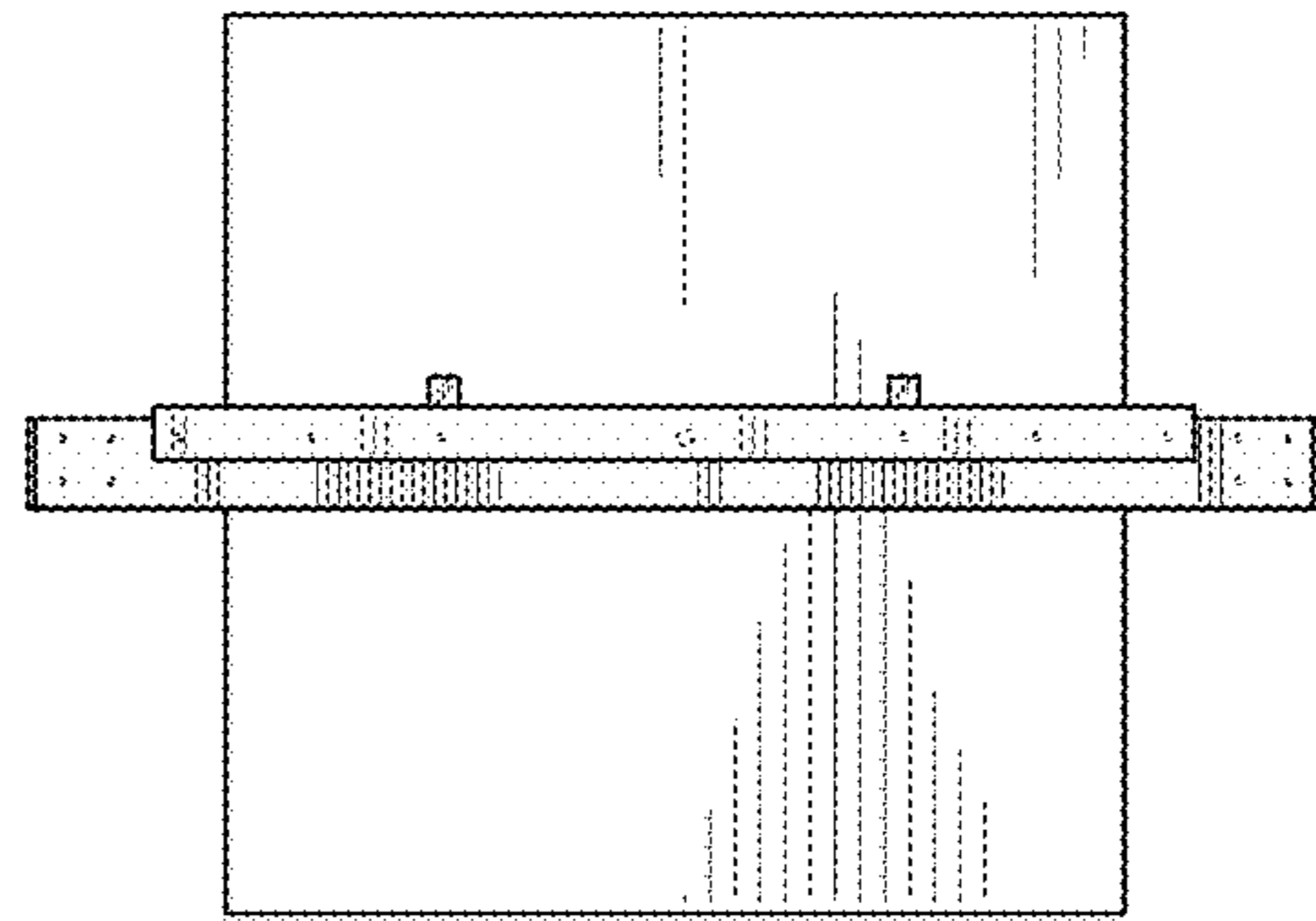


FIG. 5

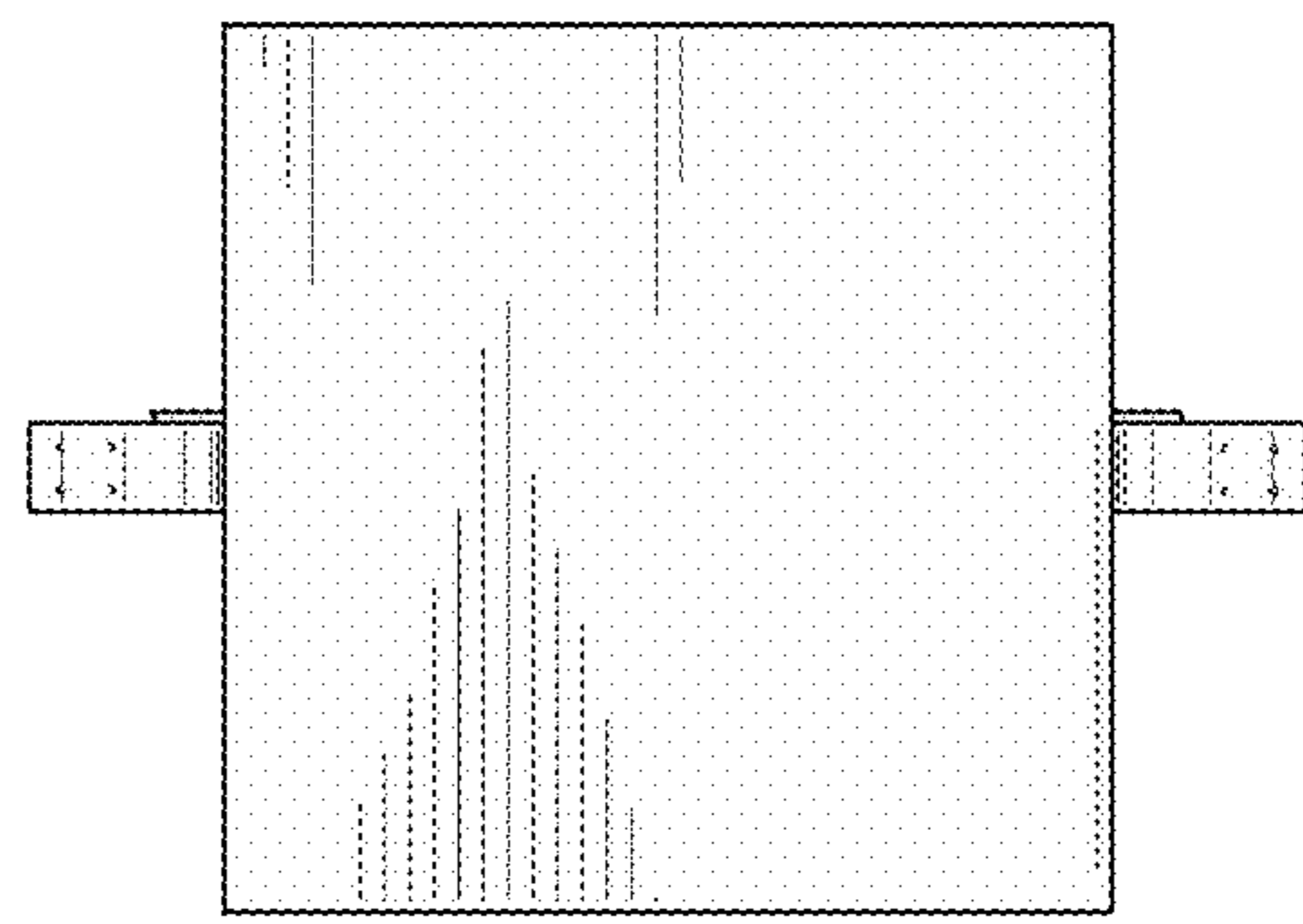


FIG. 6