



US00D784997S

(12) **United States Design Patent**
Cheng et al.

(10) **Patent No.:** **US D784,997 S**
(45) **Date of Patent:** **** Apr. 25, 2017**

(54) **VIDEO STABILIZER FOR SMART PHONE OR TABLET**

(71) Applicants: **Xuran Cheng**, Hong Kong (HK);
Cancheng Zeng, Hong Kong (HK)

(72) Inventors: **Xuran Cheng**, Hong Kong (HK);
Cancheng Zeng, Hong Kong (HK)

(**) Term: **15 Years**

(21) Appl. No.: **29/555,151**

(22) Filed: **Feb. 18, 2016**

(51) **LOC (10) Cl.** **08-07**

(52) **U.S. Cl.**
USPC **D14/447**

(58) **Field of Classification Search**
USPC D14/447, 432, 434, 439, 440, 451, 452,
D14/457, 239; D8/363, 373, 380;
D6/406.3, 406.4, 406.5, 406.6; D12/415
CPC A47B 21/04; A47B 2097/006; A47B
2097/005; A47B 2023/049; A45C
2011/002; A45C 2011/003; F16M
2200/00; F16M 13/00
See application file for complete search history.

(56) **References Cited**

U.S. PATENT DOCUMENTS

D674,397 S * 1/2013 Asher D14/447
D684,980 S * 6/2013 Chun D14/447

D697,920 S * 1/2014 Fujioka D14/447
D700,185 S * 2/2014 Fujioka D14/447
D704,713 S * 5/2014 Liniger D14/447
D708,187 S * 7/2014 Xiang D14/447
D717,307 S * 11/2014 Chun D14/447
D727,333 S * 4/2015 Shih D14/447
D739,410 S * 9/2015 Chun D14/447
D748,099 S * 1/2016 Heid D14/447
D749,081 S * 2/2016 Serfoss D14/447
D750,612 S * 3/2016 Chen D14/253
D753,126 S * 4/2016 Alesi D14/447

* cited by examiner

Primary Examiner — Angela J Lee

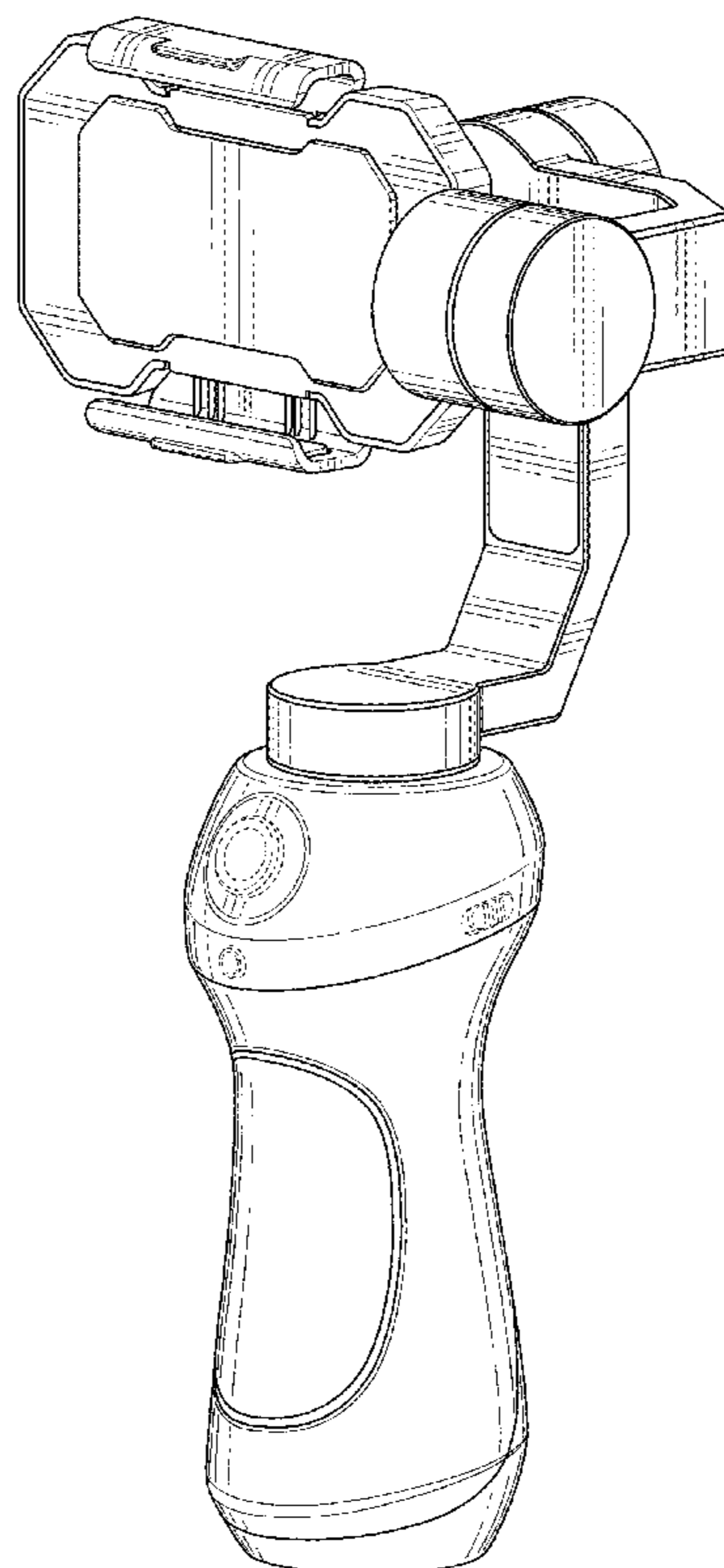
(57) **CLAIM**

The ornamental design for a video stabilizer for smart phone or tablet, as shown and described.

DESCRIPTION

FIG. 1 is a first perspective view of a video stabilizer for smart phone or tablet showing our new design;
FIG. 2 is a second perspective view thereof;
FIG. 3 is a third perspective view thereof;
FIG. 4 is a fourth perspective view thereof;
FIG. 5 is a front elevational view thereof;
FIG. 6 is a rear elevational view thereof;
FIG. 7 is a right side view thereof;
FIG. 8 is a left side view thereof; and,
FIG. 9 is a top plan view thereof.
The broken lines are for illustrative purposes only and form no part of the claimed design.

1 Claim, 9 Drawing Sheets



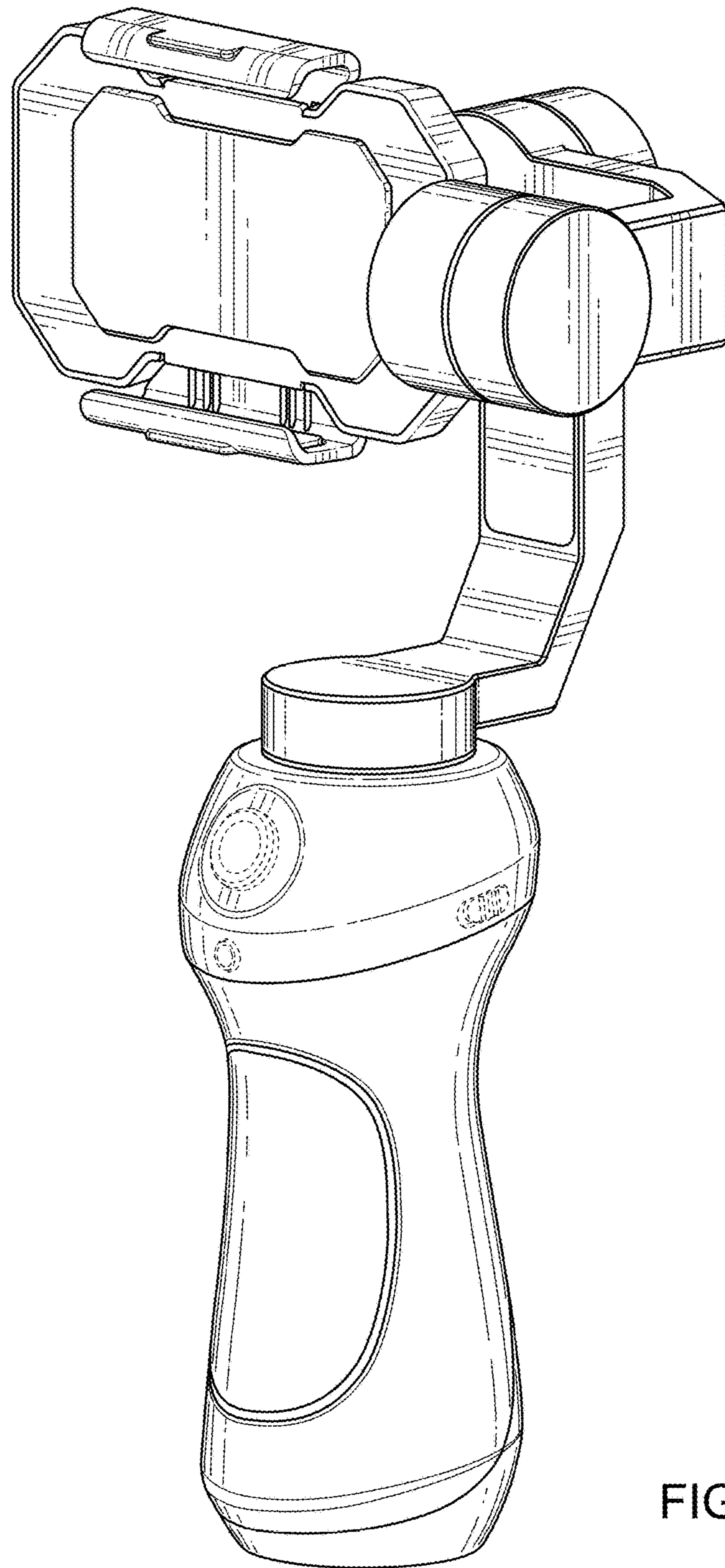


FIG. 1

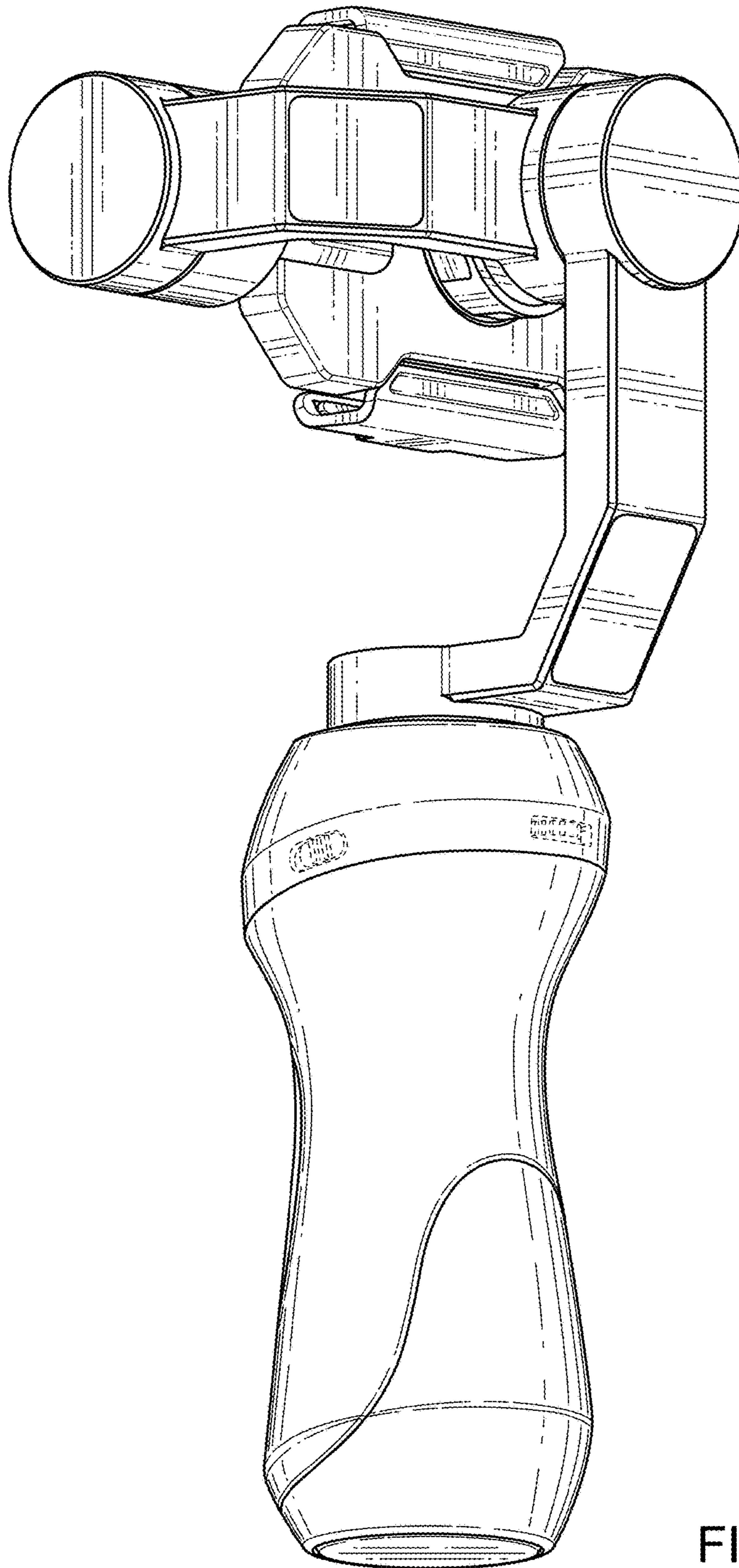


FIG. 2

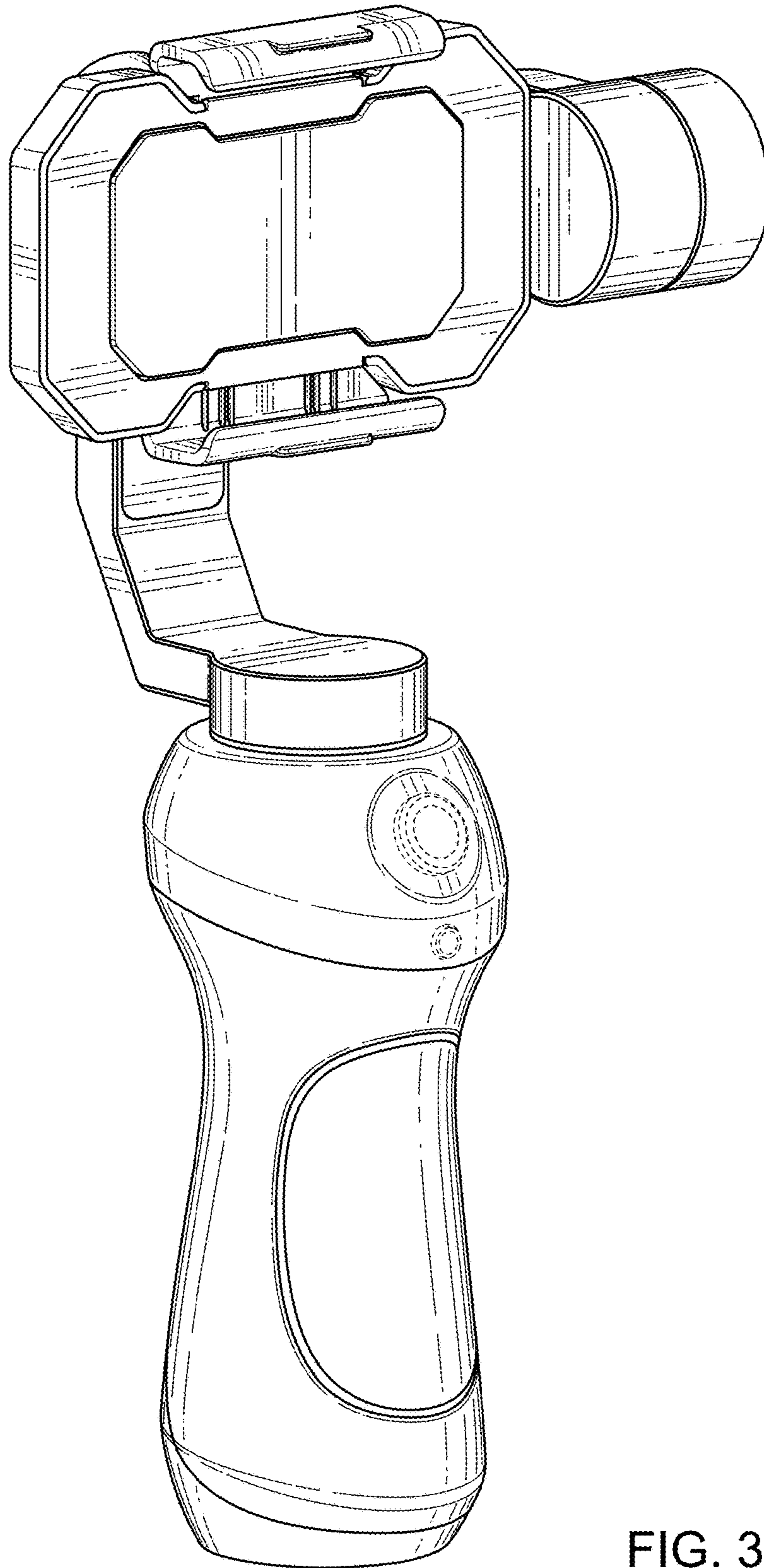


FIG. 3

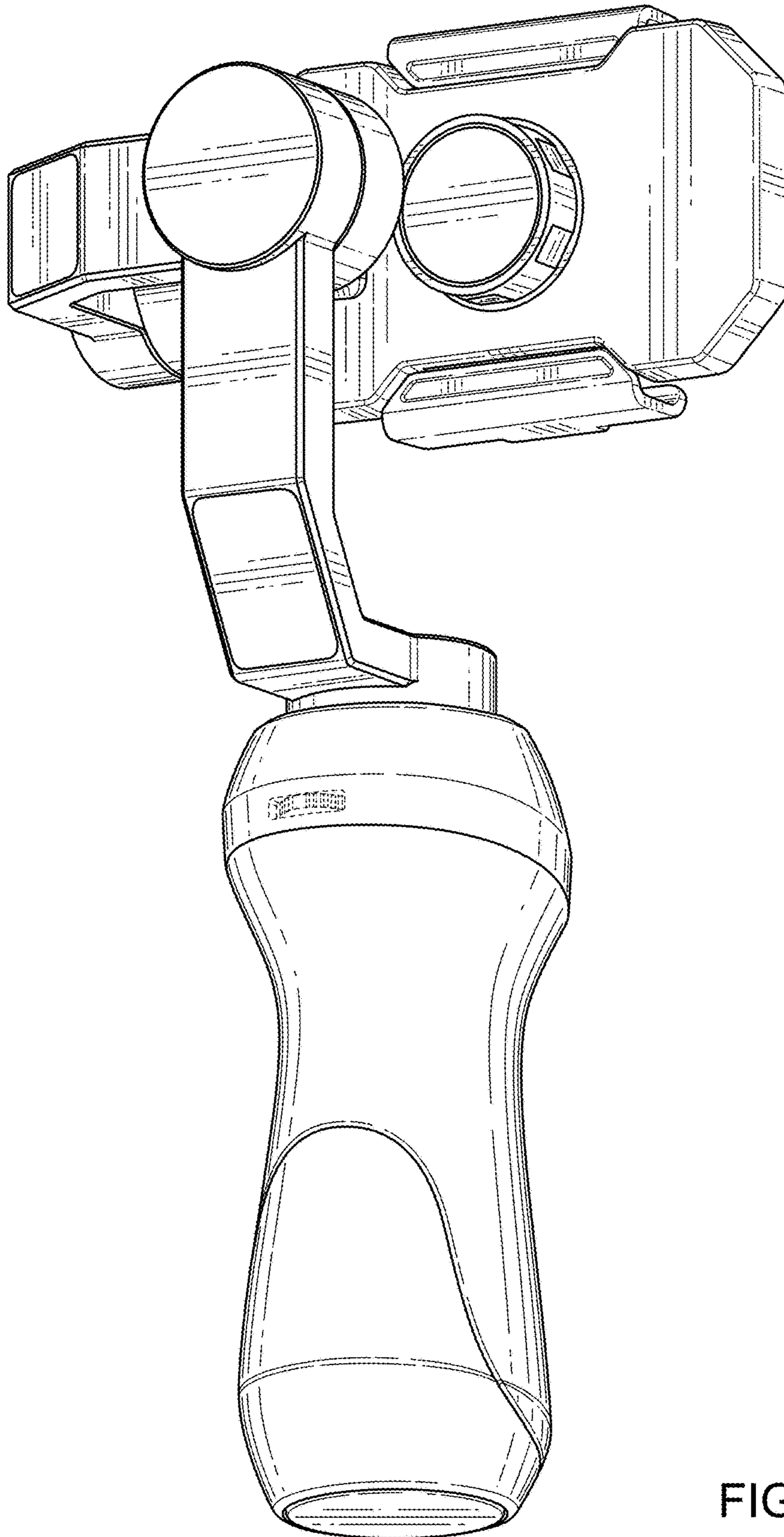


FIG. 4

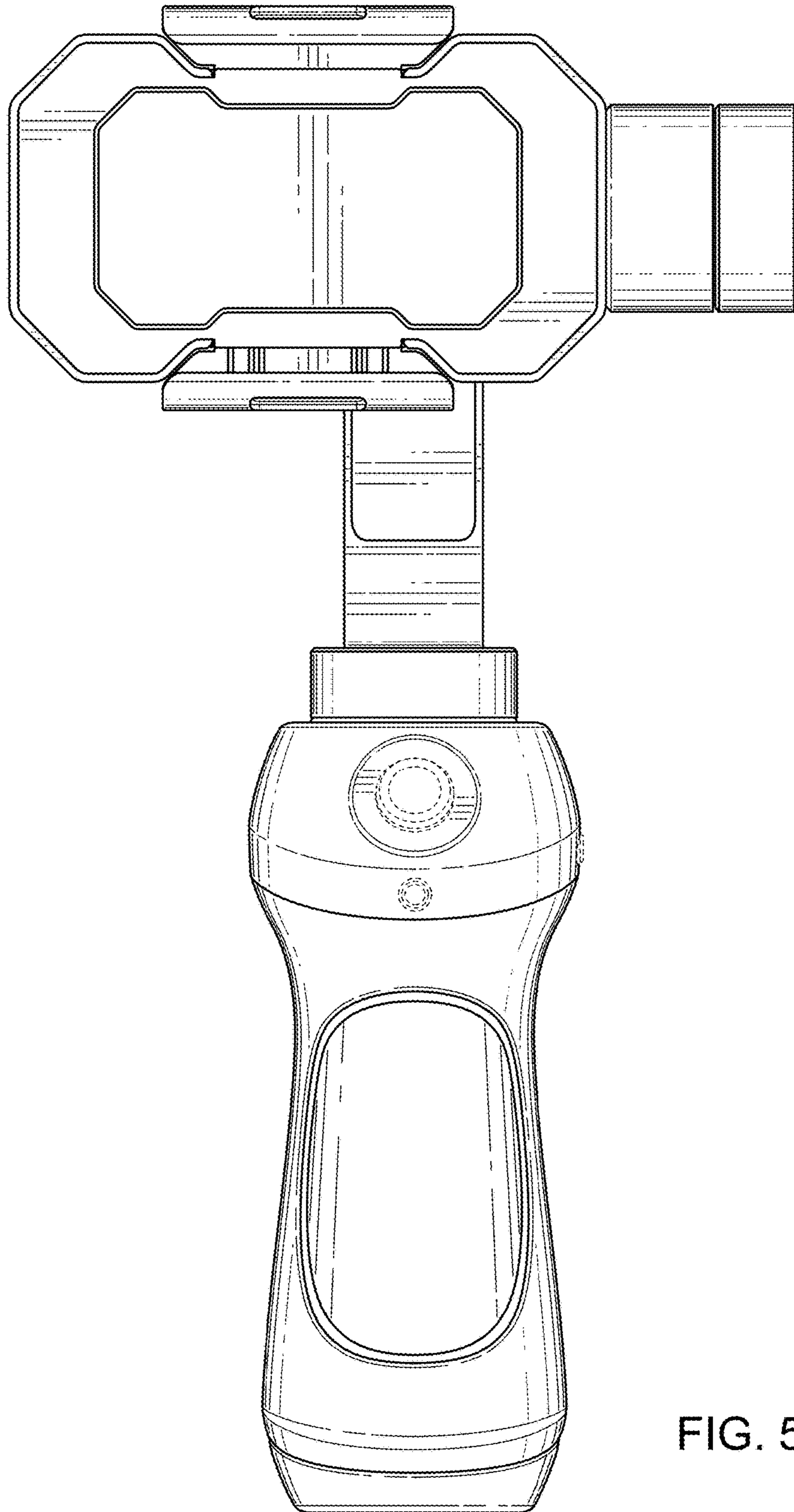


FIG. 5

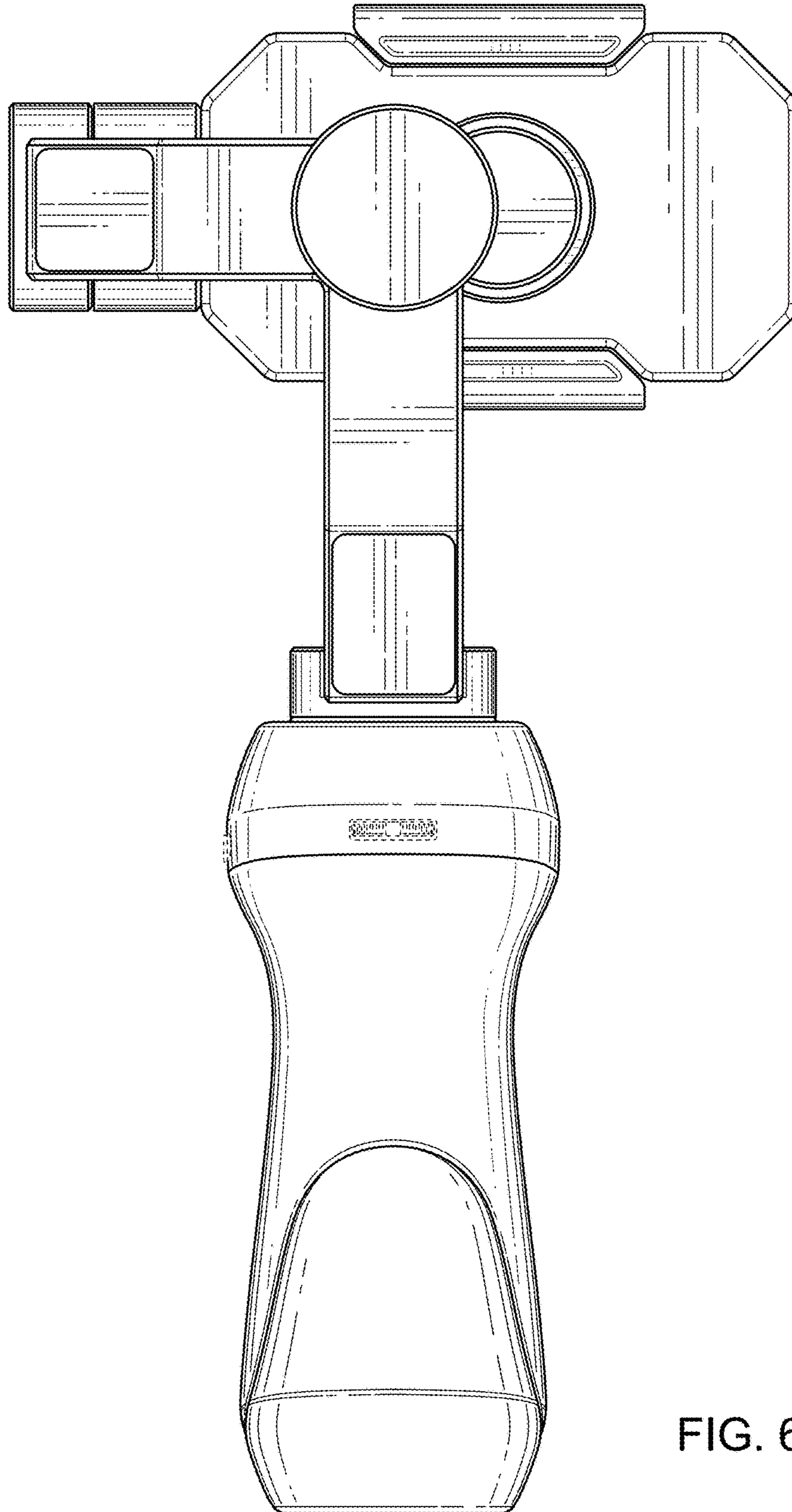


FIG. 6

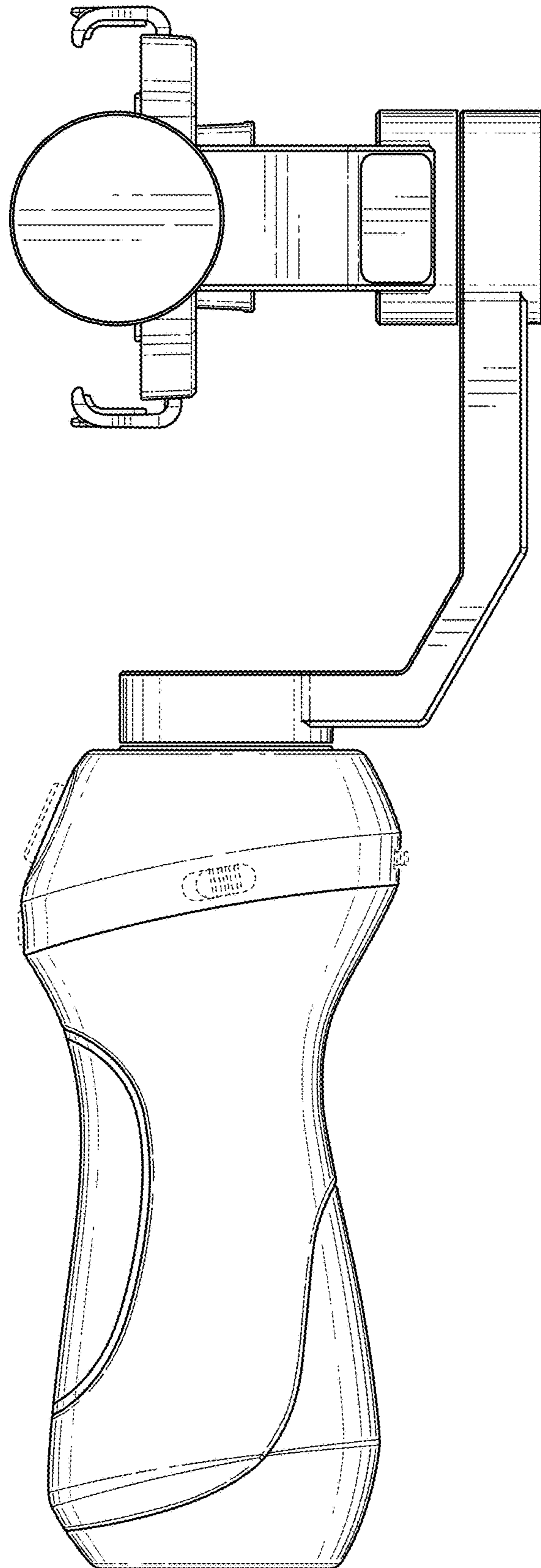


FIG. 7

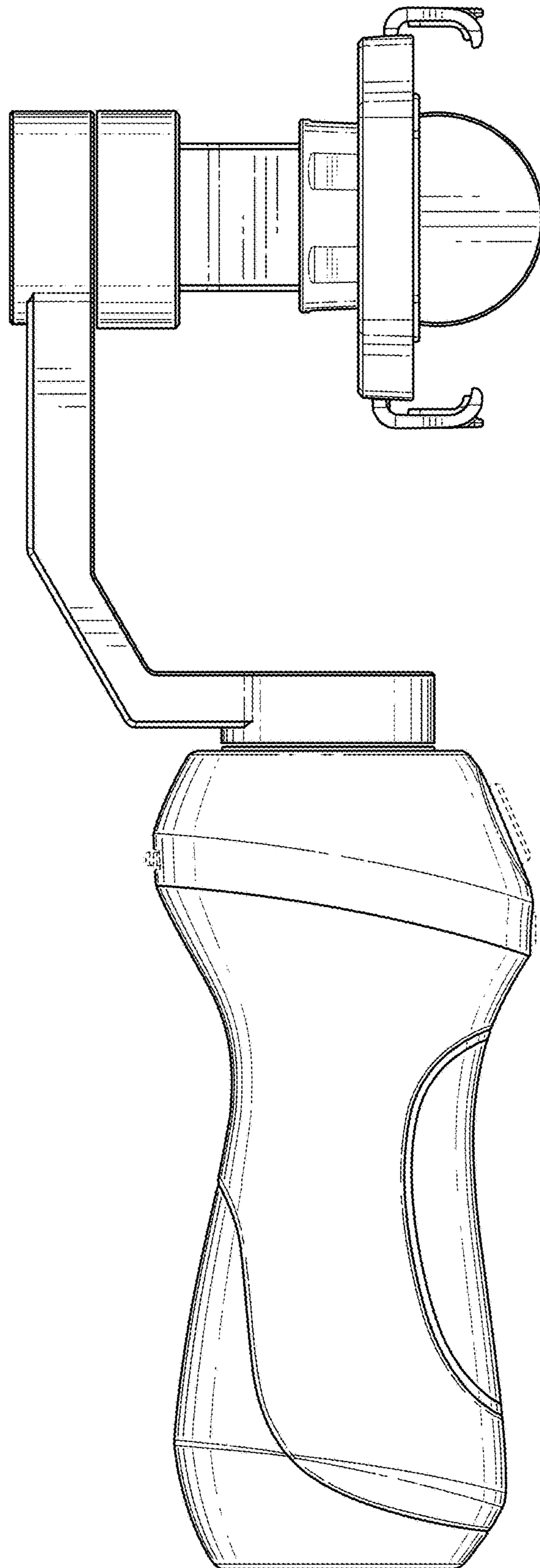


FIG. 8

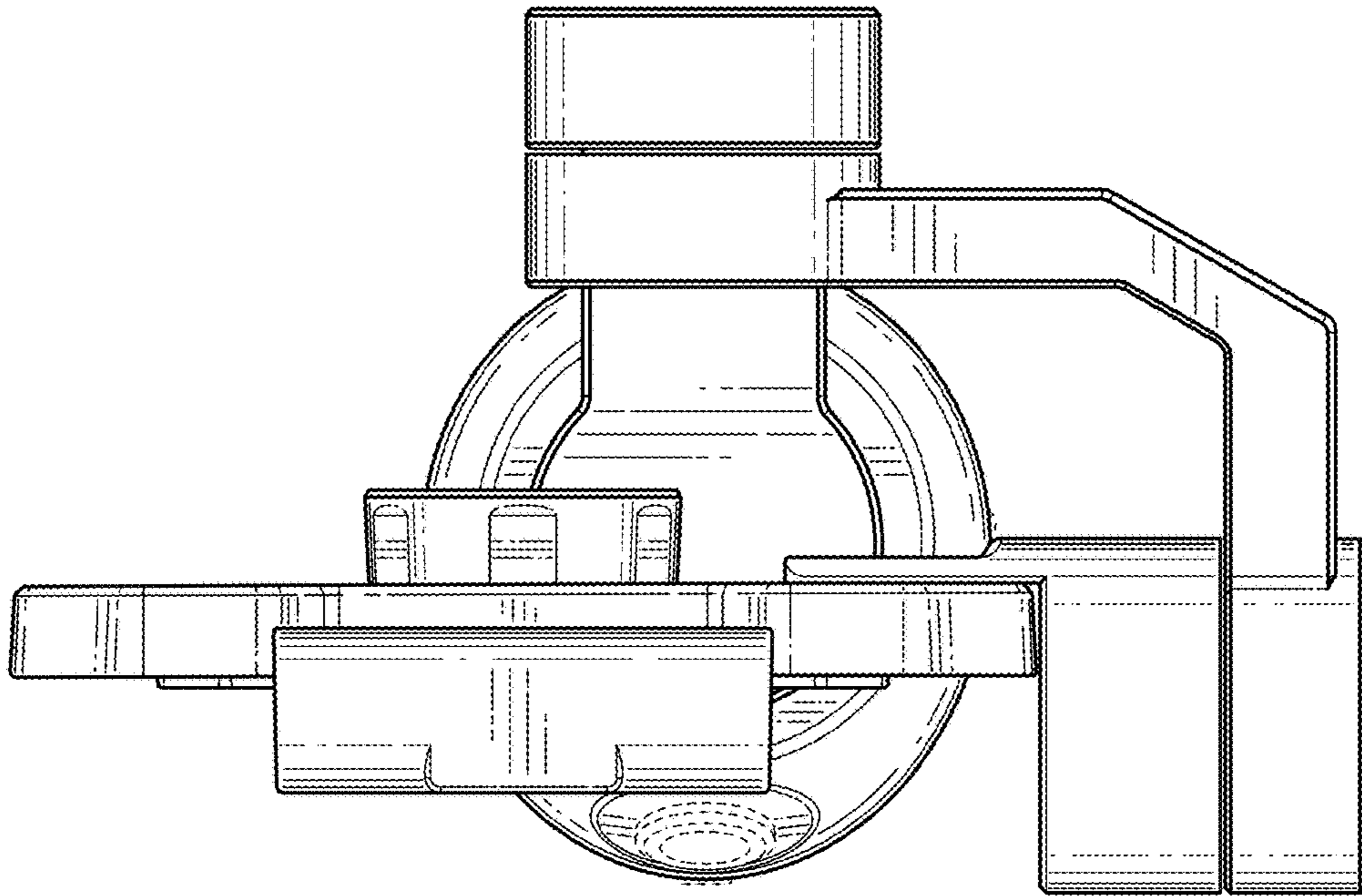


FIG. 9